



Micro Commercial Components

Micro Commercial Components
 20736 Marilla Street Chatsworth
 CA 91311
 Phone: (818) 701-4933
 Fax: (818) 701-4939

RB521S-30

Features

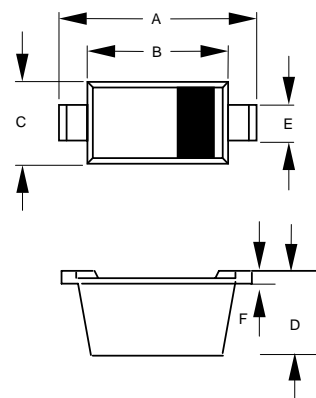
- Case Material: Molded Plastic. UL Flammability Classification Rating 94-0 and MSL Rating 1
- High Reliability
- Low Reverse Current and Low Forward Voltage.
- Small Surface Mount Type
- Marking :C
- Lead Free Finish/RoHS Compliant("P" Suffix designates RoHS Compliant. See ordering information)

200 mA
Schottky Barrier Diode
30 Volts

Maximum Ratings

Symbol	Rating	Rating	Unit
V_R	DC Reverse Voltage	30	V
I_O	Mean Rectifying Current	200	mA
I_{FSM}	Peak Forward Surge Current*	1	A
T_J	Junction Temperature	125	°C
T_{STG}	Storage Temperature	-40 to +125	°C

SOD-523



Electrical Characteristics @ 25°C Unless Otherwise Specified

Symbol	Parameter	Min	Typ	Max	Units
V_F	Forward Voltage ($I_F=200\text{mA}$)	---	---	0.5	Vdc
I_R	Reverse Current ($V_R=10\text{V}$)	---	---	30	μA

DIMENSIONS

DIM	INCHES	MM	NOTE
	Type	Type	
A	.063	1.60	
B	.472	1.20	
C	.032	0.80	
D	.026	0.65	
E	.012	0.30	
F	.004	0.10	



Micro Commercial Components

Ordering Information

Device	Packing
(Part Number)-TP	Tape&Reel;3Kpcs/Reel

IMPORTANT NOTICE

Micro Commercial Components Corp. reserves the right to make changes without further notice to any product herein to make corrections, modifications, enhancements, improvements, or other changes. *Micro Commercial Components Corp.* does not assume any liability arising out of the application or use of any product described herein; neither does it convey any license under its patent rights, nor the rights of others. The user of products in such applications shall assume all risks of such use and will agree to hold *Micro Commercial Components Corp.* and all the companies whose products are represented on our website, harmless against all damages.

APPLICATIONS DISCLAIMER

Products offer by *Micro Commercial Components Corp.* are not intended for use in Medical, Aerospace or Military Applications.

www.mccsemi.com