



Micro Commercial Components

Micro Commercial Components
20736 Marilla Street Chatsworth
CA 91311
Phone: (818) 701-4933
Fax: (818) 701-4939

RB500V-40

Features

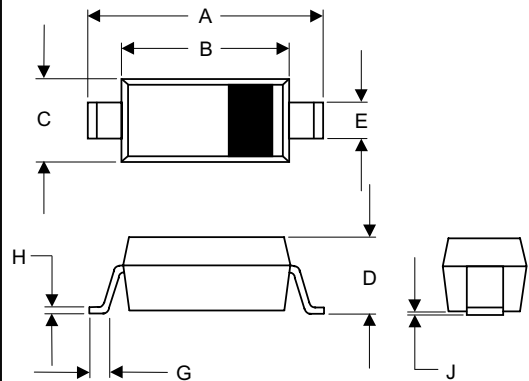
- Marking: 2
- Lead Free Finish/RoHS Compliant ("P" Suffix designates RoHS Compliant. See ordering information)
- Small Surface Mounting Type
- Low Reverse Current and Low Forward Voltage
- High Reliability
- Case Material: Molded Plastic. UL Flammability Classification Rating 94V-0 and MSL Rating 1

0.1 Amp Schottky Barrier Rectifier 40 Volts

Maximum Ratings

Parameter	Symbol	Value	Unit
Peak Reverse Voltage	V_{RM}	45	V
DC Reverse Voltage	V_R	40	V
Mean Rectifying Current	I_o	100	mA
Peak Forward Surge Current	I_{FSM}	1	A
Junction Temperature	T_J	125	°C
Storage Temperature	T_{STG}	-40 to +125	°C

SOD-323

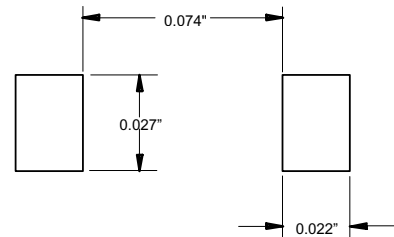


Electrical Characteristics @ 25°C Unless Otherwise Specified

Parameter	Symbol	Min.	Typ.	Max.	Unit
Forward Voltage @ $I_F=10mA$	V_F	---	---	0.45	V
Reverse Current @ $V_R=10V$	I_R	---	---	1	uA
Capacitance Terminal @ $V_R=10V, f=1MHz$	C_T	---	6.0	---	pF

DIM	DIMENSIONS				NOTE
	INCHES		MM		
	MIN	MAX	MIN	MAX	
A	.090	.107	2.30	2.70	
B	.063	.071	1.60	1.80	
C	.045	.053	1.15	1.35	
D	.031	.045	0.80	1.15	
E	.010	.016	0.25	0.40	
G	.004	.018	0.10	0.45	
H	.004	.010	0.10	0.25	
J	-----	.006	-----	0.15	

SUGGESTED SOLDER PAD LAYOUT



RB500V-40



Micro Commercial Components

● **Electrical characteristic curves** ($T_a = 25^\circ\text{C}$)

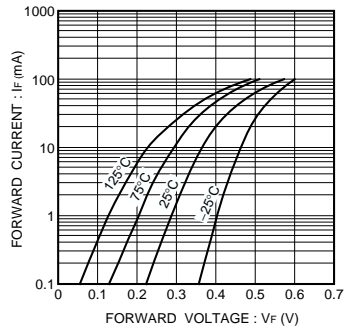


Fig. 1 Forward characteristics

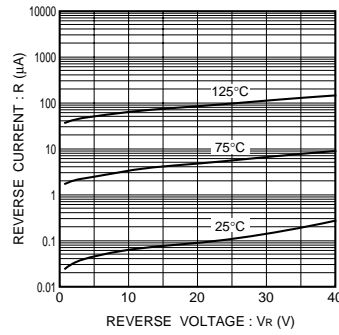


Fig. 2 Reverse characteristics

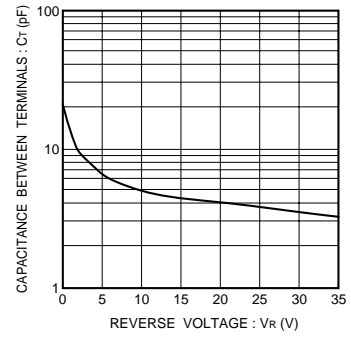


Fig. 3 Capacitance between terminals characteristics

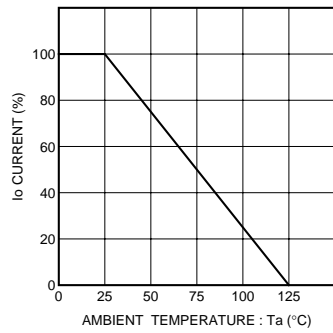


Fig. 4 Derating curve
(mounting on glass epoxy PCBs)



Micro Commercial Components

Ordering Information

Device	Packing
(Part Number)-TP	Tape&Reel;3Kpcs/Reel

IMPORTANT NOTICE

Micro Commercial Components Corp. reserves the right to make changes without further notice to any product herein to make corrections, modifications, enhancements, improvements, or other changes. *Micro Commercial Components Corp.* does not assume any liability arising out of the application or use of any product described herein; neither does it convey any license under its patent rights, nor the rights of others. The user of products in such applications shall assume all risks of such use and will agree to hold *Micro Commercial Components Corp.* and all the companies whose products are represented on our website, harmless against all damages.

APPLICATIONS DISCLAIMER

Products offer by *Micro Commercial Components Corp.* are not intended for use in Medical, Aerospace or Military Applications.

www.mccsemi.com