

Model name

VT 15-522

Name of series | output voltage code

- 522: 5V, +12V, -12V
- 5FF: 5V, +15V, -15V
- 525: 5V, +12V, -5V

Output power : 3 types in 15W ~ 60W

Features

- Triple output
9 models, 15W, 30W, 60W
- Wide input voltage range: 85 ~ 132VAC
- Isolation between CH1 (5V) and ±CH
- Compact, low profile and board type
- 1 year warranty

PC Board Type Power Supply

Specifications

1. Input voltage range	85 ~ 132VAC (47 ~ 440Hz), 110 ~ 175VDC
2. Output voltage range	CH1: +5V (5.0 ~ 5.25V), CH2: Fixed, CH3: Fixed
3. Cooling	Convection cooling
4. Operating ambient temperature (Standard mounting)	-10 ~ +60°C Output derating -10 ~ +50°C : 100%, +60°C : 70%
5. Withstand voltage	Input-output: 2kVAC, Input-FG: 2kVAC, Output-chassis: 500VAC for 1 min.
6. Safety standard	Approved by UL1950-D3 and CSA1402C
7. EMI	Conforms to VCCI-class B and FCC class B
8. Functions	Over voltage protection (CH1), Over current protection

Product lineup

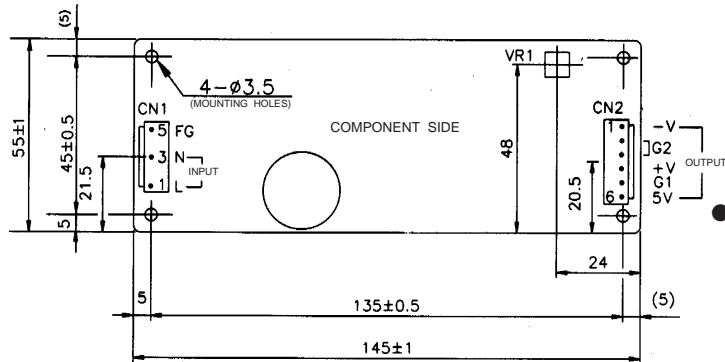
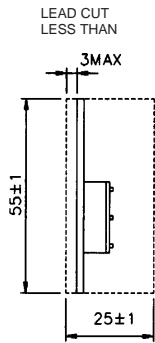
Model name	CH	Nominal output voltage	Max. output current	Total max. output power	UL	CSA	
VT15	VT15-522	CH1	5V	0.2-2A	16W	○	○
		CH2	+12V	0.3A	16W	○	○
		CH3	-12V	0.2A	16W	○	○
	VT15-5FF	CH1	5V	0.2-2A	17.5W	○	○
		CH2	+15V	0.3A	17.5W	○	○
		CH3	-15V	0.2A	17.5W	○	○
	VT15-525	CH1	5V	0.2-2A	14.6W	○	○
		CH2	+12V	0.3A	14.6W	○	○
		CH3	-5V	0.2A	14.6W	○	○
VT30	VT30-522	CH1	5V	0.3-3A	33W	○	○
		CH2	+12V	1.2A	33W	○	○
		CH3	-12V	0.3A	33W	○	○
	VT30-5FF	CH1	5V	0.3-3A	34.5W	○	○
		CH2	+15V	1A	34.5W	○	○
		CH3	-15V	0.3A	34.5W	○	○
	VT30-525	CH1	5V	0.3-3A	30.9W	○	○
		CH2	+12V	1.2A	30.9W	○	○
		CH3	-5V	0.3A	30.9W	○	○
VT60	VT60-522	CH1	5V	0.5-5A	55W	○	○
		CH2	+12V	2A	55W	○	○
		CH3	-12V	0.5A	55W	○	○
	VT60-5FF	CH1	5V	0.5-5A	56.5W	○	○
		CH2	+15V	1.6A	56.5W	○	○
		CH3	-15V	0.5A	56.5W	○	○
	VT60-525	CH1	5V	0.5-5A	51.5W	○	○
		CH2	+12V	2A	51.5W	○	○
		CH3	-5V	0.5A	51.5W	○	○

● Contact us about delivery before ordering.

○ : Safety standard approved

VT15

PC Board Type Power Supply



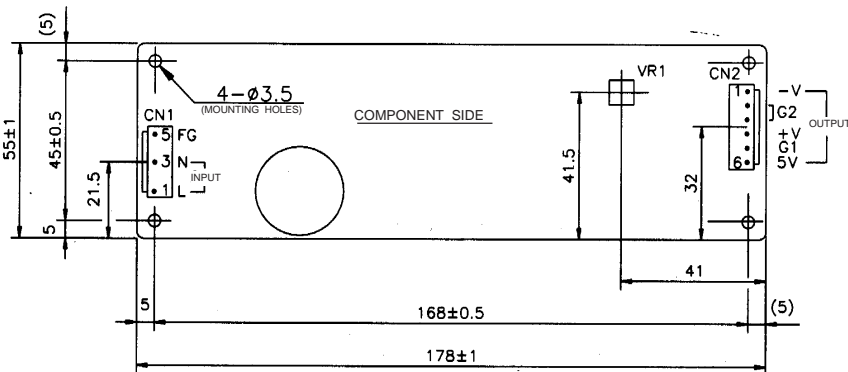
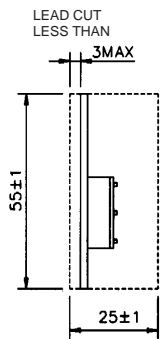
● Recommended Noise Filter



P134

(Unit: mm)

VT30



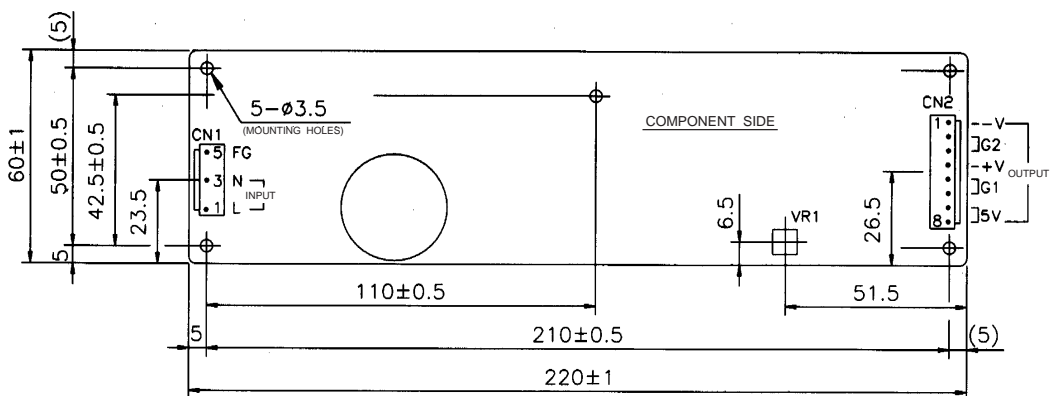
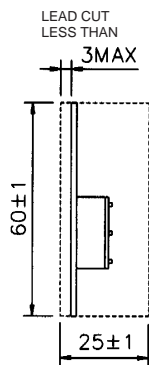
● Recommended Noise Filter



P134

(Unit: mm)

VT60



● Recommended Noise Filter



P134

(Unit: mm)