

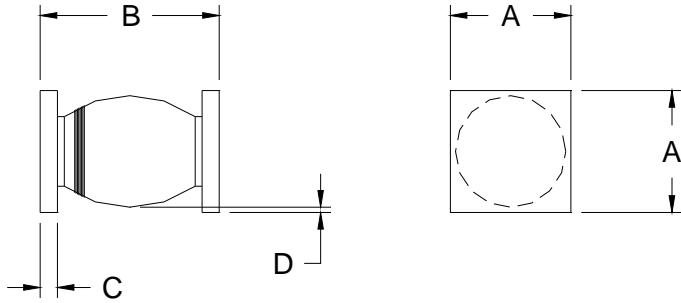


Solid State Devices, Inc.

14701 Firestone Blvd * La Mirada, Ca 90638
Phone: (562) 404-4474 * Fax: (562) 404-1773
ssdi@ssdi-power.com * www.ssdi-power.com

**SGB10UFSMS
thru
SGB35UFSMS**

PACKAGE OUTLINE: Surface Mount Square Tab



Dimensions are prior to soldering.

DIMENSIONS		
DIM	MIN	MAX
A	0.090"	0.100"
B	0.150"	0.210"
C	0.022"	0.028"
D	0.002"	—

NOTE: All specifications are subject to change without notification.
SCD's for these devices should be reviewed by SSDI prior to release.

DATA SHEET #: RV0005E

DOC