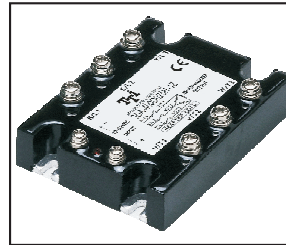


## SDA SERIES SOLID STATE RELAY

**SDA-400D025H-1Z**  
**SDA-400D040H-1Z**  
**SDA-400D050H-1Z**  
**SDA-400D075H-1Z**  
**SDA-400D090H-1Z**  
**SDA-400D100H-1Z**

**DC Control AC Loading S.S.R**



## Specifications

MODEL SERIES NO.	CONTROL VOLTAGE	MUST TURN OFF VOLTAGE	INPUT IMPEDANCE	LOADING CURRENT	LOADING VOLTAGE	MIN BLOCKING VOLTAGE	MAX OFF-STATE LEAKAGE	FREQUENCY RANGE	MAX 1-CYCLE PEAK SURGE
SDA-400D025H-1Z	12 - 32 VDC	MAX 3.0 VDC	1.5 K $\Omega$	25A	48 ~ 480VAC	1200VAC	LESS 10 mA	47-70HZ	250A
SDA-400D040H-1Z	12 - 32 VDC	MAX 3.0 VDC	1.5 K $\Omega$	40A	48 ~ 480VAC	1200VAC	LESS 10 mA	47-70HZ	400A
SDA-400D050H-1Z	12 - 32 VDC	MAX 3.0 VDC	1.5 K $\Omega$	50A	48 ~ 480VAC	1200VAC	LESS 10 mA	47-70HZ	500A
SDA-400D075H-1Z	12 - 32 VDC	MAX 3.0 VDC	1.5 K $\Omega$	75A	48 ~ 480VAC	1200VAC	LESS 10 mA	47-70HZ	750A
SDA-400D090H-1Z	12 - 32 VDC	MAX 3.0 VDC	1.5 K $\Omega$	90A	48 ~ 480VAC	1200VAC	LESS 10 mA	47-70HZ	900A
SDA-400D100H-1Z	12 - 32 VDC	MAX 3.0 VDC	1.5 K $\Omega$	100A	48 ~ 480VAC	1200VAC	LESS 10 mA	47-70HZ	1000A

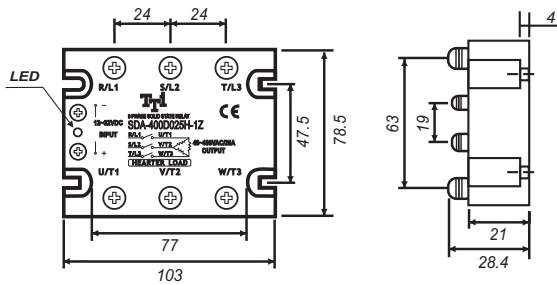
MODEL SERIES NO.	MAX OFF STATE dv/dt	MAX ON-STATE VOLTAGE DROP	ISOLATE IMPEDENCE	DIELECTRIC STRENGTH INPUT-OUTPUT	DIELECTRIC STRENGTH INPUT-OUTPUT-CASE	TURN ON TIME	TURN OFF TIME	CAPACITANCE IN-OUT	WEIGHT (g)
SDA-400D025H-1Z	1000 V/ $\mu$ sec	1.6Vrms	10 <sup>9</sup> $\Omega$	4000 VACrms	4000 VACrms	LESS 2 msec	LESS 1/2 AC CYCLE	LESS 473 PF	400 g
SDA-400D040H-1Z	1000 V/ $\mu$ sec	1.6Vrms	10 <sup>9</sup> $\Omega$	4000 VACrms	4000 VACrms	LESS 2 msec	LESS 1/2 AC CYCLE	LESS 473 PF	400 g
SDA-400D050H-1Z	1000 V/ $\mu$ sec	1.6Vrms	10 <sup>9</sup> $\Omega$	4000 VACrms	4000 VACrms	LESS 2 msec	LESS 1/2 AC CYCLE	LESS 473 PF	400 g
SDA-400D075H-1Z	1000 V/ $\mu$ sec	1.6Vrms	10 <sup>9</sup> $\Omega$	4000 VACrms	4000 VACrms	LESS 2 msec	LESS 1/2 AC CYCLE	LESS 473 PF	400 g
SDA-400D090H-1Z	1000 V/ $\mu$ sec	1.6Vrms	10 <sup>9</sup> $\Omega$	4000 VACrms	4000 VACrms	LESS 2 msec	LESS 1/2 AC CYCLE	LESS 473 PF	400 g
SDA-400D100H-1Z	1000 V/ $\mu$ sec	1.6Vrms	10 <sup>9</sup> $\Omega$	4000 VACrms	4000 VACrms	LESS 2 msec	LESS 1/2 AC CYCLE	LESS 473 PF	400 g

## Parts No.

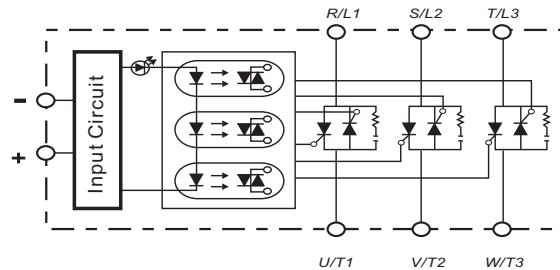
**SDA-400D025H-1Z**

Switching Type : Z = Zero Crossing  
 Packing : 1 = Screw Type  
 Phase : H = Heater Load  
 Loading Current : 025 = 25A, 040 = 40A, 050 = 50A  
                           075 = 75A, 090 = 90A, 100 = 100A  
 Control Voltage : D = 12-32VDC  
 Loading Voltage : 400 = 48~480VAC  
 Control Type : DA = DC Control AC  
 S = S.S.R

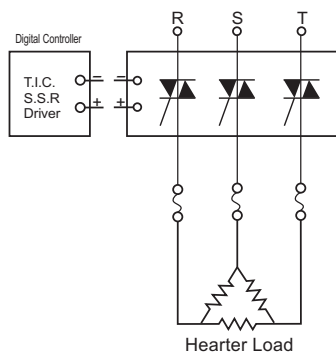
## Outline Dimensions (Unit : mm)



## Equivalent Circuit

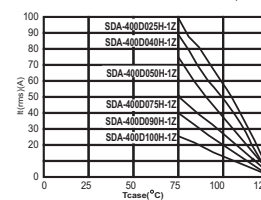


## Example : 3 $\phi$ S.S.R Application



## Characteristic Curves

RMS On-state Current Versus Case Temperature



Non Repetitive Surge On-state Current Versus Number Of Cycles

