

SDA SERIES SOLID STATE RELAY

SDA-400B010S-1Z
SDA-400B015S-1Z
SDA-400B025S-1Z
SDA-400B040S-1Z
SDA-400B050S-1Z
SDA-400B075S-1Z
SDA-400B090S-1Z
SDA-400B100S-1Z
SDA-400B125S-1Z

DC Control AC Loading S.S.R



Specifications

| MODEL SERIES NO. | CONTROL VOLTAGE | MUST TURN OFF VOLTAGE | INPUT IMPEDANCE | LOADING CURRENT | LOADING VOLTAGE | MIN BLOCKING VOLTAGE | MAX OFF-STATE LEAKAGE | FREQUENCY RANGE | MAX 1-CYCLE PEAK SURGE |
|------------------|-----------------|-----------------------|-----------------|-----------------|-----------------|----------------------|-----------------------|-----------------|------------------------|
| SDA-400B010S-1Z | 4 - 32 VDC | MAX 1.0 VDC | 1.5 KΩ | 10A | 48 ~ 480VAC | 1200VAC | LESS 5 mA | 47-70HZ | 100A |
| SDA-400B015S-1Z | 4 - 32 VDC | MAX 1.0 VDC | 1.5 KΩ | 15A | 48 ~ 480VAC | 1200VAC | LESS 5 mA | 47-70HZ | 150A |
| SDA-400B025S-1Z | 4 - 32 VDC | MAX 1.0 VDC | 1.5 KΩ | 25A | 48 ~ 480VAC | 1200VAC | LESS 5 mA | 47-70HZ | 250A |
| SDA-400B040S-1Z | 4 - 32 VDC | MAX 1.0 VDC | 1.5 KΩ | 40A | 48 ~ 480VAC | 1200VAC | LESS 5 mA | 47-70HZ | 400A |
| SDA-400B050S-1Z | 4 - 32 VDC | MAX 1.0 VDC | 1.5 KΩ | 50A | 48 ~ 480VAC | 1200VAC | LESS 5 mA | 47-70HZ | 500A |
| SDA-400B075S-1Z | 4 - 32 VDC | MAX 1.0 VDC | 1.5 KΩ | 75A | 48 ~ 480VAC | 1200VAC | LESS 5 mA | 47-70HZ | 750A |
| SDA-400B090S-1Z | 4 - 32 VDC | MAX 1.0 VDC | 1.5 KΩ | 90A | 48 ~ 480VAC | 1200VAC | LESS 5 mA | 47-70HZ | 900A |
| SDA-400B100S-1Z | 4 - 32 VDC | MAX 1.0 VDC | 1.5 KΩ | 100A | 48 ~ 480VAC | 1200VAC | LESS 5 mA | 47-70HZ | 1000A |
| SDA-400B125S-1Z | 4 - 32 VDC | MAX 1.0 VDC | 1.5 KΩ | 125A | 48 ~ 480VAC | 1200VAC | LESS 5 mA | 47-70HZ | 1250A |

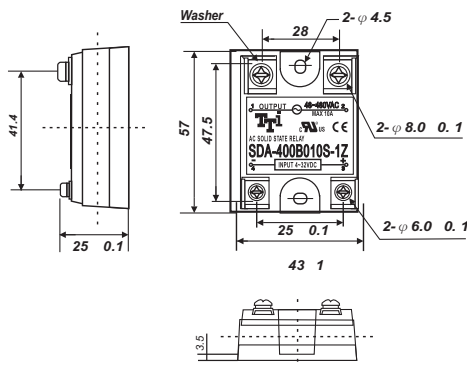
| MODEL SERIES NO. | MAX OFF STATE dv/dt | MAX ON-STATE VOLTAGE DROP | ISOLATE IMPEDANCE | DIELECTRIC STRENGTH INPUT-OUTPUT | DIELECTRIC STRENGTH INPUT-OUTPUT-CASE | TURN ON TIME | TURN OFF TIME | CAPACITANCE IN-OUT | WEIGHT (g) |
|------------------|---------------------|---------------------------|-------------------|----------------------------------|---------------------------------------|--------------|-------------------|--------------------|------------|
| SDA-400B010S-1Z | 1000 V/μ sec | 2.0Vrms | 10 ⁹ Ω | 4000 VACrms | 4000 VACrms | LESS 2 msec | LESS 1/2 AC CYCLE | LESS 15 PF | 100 g |
| SDA-400B015S-1Z | 1000 V/μ sec | 2.0Vrms | 10 ⁹ Ω | 4000 VACrms | 4000 VACrms | LESS 2 msec | LESS 1/2 AC CYCLE | LESS 15 PF | 100 g |
| SDA-400B025S-1Z | 1000 V/μ sec | 2.0Vrms | 10 ⁹ Ω | 4000 VACrms | 4000 VACrms | LESS 2 msec | LESS 1/2 AC CYCLE | LESS 15 PF | 100 g |
| SDA-400B040S-1Z | 1000 V/μ sec | 2.0Vrms | 10 ⁹ Ω | 4000 VACrms | 4000 VACrms | LESS 2 msec | LESS 1/2 AC CYCLE | LESS 15 PF | 100 g |
| SDA-400B050S-1Z | 1000 V/μ sec | 2.0Vrms | 10 ⁹ Ω | 4000 VACrms | 4000 VACrms | LESS 2 msec | LESS 1/2 AC CYCLE | LESS 15 PF | 100 g |
| SDA-400B075S-1Z | 1000 V/μ sec | 2.0Vrms | 10 ⁹ Ω | 4000 VACrms | 4000 VACrms | LESS 2 msec | LESS 1/2 AC CYCLE | LESS 15 PF | 100 g |
| SDA-400B090S-1Z | 1000 V/μ sec | 2.0Vrms | 10 ⁹ Ω | 4000 VACrms | 4000 VACrms | LESS 2 msec | LESS 1/2 AC CYCLE | LESS 15 PF | 100 g |
| SDA-400B125S-1Z | 1000 V/μ sec | 2.0Vrms | 10 ⁹ Ω | 4000 VACrms | 4000 VACrms | LESS 2 msec | LESS 1/2 AC CYCLE | LESS 15 PF | 100 g |

Parts No.

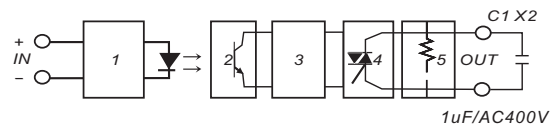
SDA-400B010S-1Z

Switching Type : Z = Zero Crossing
 Packing : 1 = Screw Type
 Phase : S = Single Phase
 Loading Current : 010 = 10A, 015 = 15A, 025 = 25A, 040 = 40A, 050 = 50A, 075 = 75A, 090 = 90A, 100 = 100A, 125 = 125A
 Control Voltage : B = 4-32VDC
 Control Loading Voltage : 400 = 48~480VAC
 Control Type : DA = DC Control AC
 S = S.S.R

Outline Dimensions (Unit : mm)



Characteristic Curves



1. Input Circuit
2. Photo Detector
3. Zero-Crossing Circuit
4. Output Circuit
5. Protected Circuit