





Features

-  **Frequencies from 30MHz to 700MHz**
-  **Custom specifications available**
-  **Industry standard package configurations**
-  **Compatible with EPCOS, Fujitsu, Murata etc**

Standard Models

Model Number	Centre Frequency (MHz)	Band width (MHz)	Ins Loss (dB)	Package	Application
TB0386A	35.46	8.82	20	13.7x6.5	
TB0601A	36.125	7.9	27	10.8x3.8x2.1	
TB0645A	36.125	8	22.8	14.8x5.8	
TB0176A	36.125	8	23.7	13.7x4.8	
TB0257A	36.125	7.8	31	16.3x6.3	Cable Modem
TB0244A	36.125	7.8	31	16.3x6.3	Cable Modem
TB0612A	38.9	1	12.2	17.3x8.5	
TB0199A	38.912	1.4	25	9.1x4.8	DAB
TB0275A	38.912	1.6	25	11.3x5.1	
TB0209A	38.912	1.45	20.2	F-11 (5p)	DAB
TB0318A	40	5	12	7.0x5.0	
TB0258A	43.75	5.93	26	16.3x4.0	
TB0207A	43.75	5.93	26	16.3x4.0	Cable Modem
TB0182A	43.75	6.1	16.5	13.7x4.8	
TB0496A	44	6	16.7	13.7x4.8	
TB0473A	44	5	28.5	13.7x4.8	
TB0487A	44	3.6	15.8	13.7x4.8	
TB0362A	44	1.7	17.5	13.7x6.5	
TB0302A	44	6.2	15	F-11	
TB0364A	44	6.5	16	13.7x6.5	
TB0486A	44	5.6	16	13.7x4.8	
TB0363A	44	3.4	16	13.7x6.5	
TB0412A	48	3.125	16	13.7x6.5	
TB0411A	48	9	16	13.7x6.5	
TB0281A	50	5.62	11	13.7x6.5	
TB0282A	50	10.6	15	13.7x6.5	
TB0224A	60	5	12	13.7x6.5	
TB0395A	64.8	9	13	13.7x6.5	
TB0278A	70		21.2	19.0x6.5	
TB0474A	70	35	20	13.7x6.5	
TB0505A	70	0.03	6	13.7x6.5	
TB0230A	70	19.5	26	20.2x12.6	70MHz Series
TB0231A	70	20.3	24	20.2x12.6	70MHz Series
TB0211A	70	4	9.5	13.7x6.5	70MHz Series
TB0184A	70	3.8	23	13.7x6.5	70MHz Series
TB0460A	70	11.77	13	13.7x6.5	
TB0185A	70	7.3	23	13.7x6.5	70MHz Series
TB0213A	70	9	11.5	13.7x6.5	70MHz Series
TB0212A	70	6	9	13.7x6.5	70MHz Series
TB0193A	70	7.0	9.5	13.7x6.5	70MHz Series
TB0229A	70	12.1	26	20.2x12.6	70MHz Series
TB0214A	70	16	13.2	13.7x6.5	70MHz Series
TB0186A	70	21.5	17.5	13.7x6.5	70MHz Series
TB0225A	70	9.2	24	13.7x6.5	70MHz Series
TB0202A	70	19.7	13.8	13.7x6.5	70MHz Series

Standard Models (continued)

Model Number	Centre Frequency (MHz)	Band width (MHz)	Ins Loss (dB)	Package	Application
TB0228A	70	1.4	22	19.0x6.5	70MHz Series
TB0194A	70	5.0	9.0	13.7x6.5	70MHz Series
TB0195A	70	3.0	8.2	13.7x6.5	70MHz Series
TB0226A	70	9.7	24	13.7x6.5	70MHz Series
TB0227A	70	1.1	20	19.0x6.5	70MHz Series
TB0630A	71	0.25	8	13.7x6.55	
TB0466A	72.96	6	14	13.7x6.5	
TB0259A	73.125	0.015	8	13.7x6.5	
TB0444A	78	0.015	8	13.7x6.5	
TB0292A	80	9	11.5	13.7x6.5	
TB0586A	83.16	30	5	11.4x5.0x1.86	
TB0497A	86.6	0.34	6.5	19.0x6.5	
TB0479A	96	1.6	15	13.7x6.5	
TB0603A	110.592	1.152	10	7.0x5.02	
TB0197A	110.592	1.0	12	9.1x7.1	DECT
TB112EE	112.32	1.1	12.5	9.1x7.1	DECT
TB0196A	119.64	0.03	5.5	7.0x5.0	Cellular Phone
TB0467A	125	30	13.5	13.7x6.5	
TB0571A	135.42	2.1	12	7.0x5.02	
TB0557A	135.53	26	5.3	7.0x5.0	
TB0614A	138	70.9	24	7.0x5.02	
TB0541A	140	6.85	7.5	13.7x6.5	
TB0559A	140	20	10.5	13.7x6.5	
TB0438A	140	12	10.5	13.7x6.5	
TB0439A	140	15	10.75	13.7x6.5	
TB0440A	140	22	11	13.7x6.5	
TB0233A	140	25	24	20.2x12.6	140MHz Series
TB0232A	140	12	25	20.2x12.6	140MHz Series
TB0203A	140	10	11.5	13.7x6.5	140MHz Series
TB0217A	140	0.1	6.0	7.0x5.0	140MHz Series
TB0218A	140	0.4	8	19.0x6.5	
TB0242A	140	7.3	25	20.2x12.6	140MHz Series
TB0320A	140	6	12.5	13.7x6.5	
TB0403A	145	4	16	13.7x6.5	
TB0399A	156.8	15	14	13.3x6.5	
TB0276A	163	0.025	6	7.0x5.0	
TB0482A	164.175	0.075	7	7.0x5.0	
TB0547A	164.175	0.0075	7	F-11	
TB0483A	165.45	0.075	7	7.0x5.0	
TB0548A	165.45	0.0075	7	F-11	
TB0260A	168.5	20	10	5.2x5.2	
TB0549A	169.2	0.0075	7	F-11	
TB0484A	169.2	0.075	7	7.0x5.0	
TB0485A	173.075	0.015	7	7.0x5.0	
TB0550A	173.075	0.015	7	F-11	
TB0223A	173.225	0.026	4.2	9.1x7.1	

Continued on next page...

Ordering Information

Product name + model number
eg: **GSIF TB0376A**

- ♦ Pad configurations and package heights may vary from those shown - please ask for a full specification sheet before ordering
- ♦ Full specifications of all models are available on request

Standard Models (continued)

Model Number	Centre Frequency (MHz)	Band width (MHz)	Ins Loss (dB)	Package	Application
TB0187A	183.6	1.5	10.5	7.0x5.0	
TB0572A	185.5	20	11	13.7x6.5	
TB0529A	190	4.6	7	3.1x3.1	
TB0293A	190	10	10	5.2x5.2	
TB0190A	190	6	7	3.9x3.9	Cellular Phone
TB0103A	190	5.73	10	5.2x5.2	Cellular Phone
TB0410A	200	7.6	18.4	7.0x5.02	
TB0592A	201.02	0.358	6	13.7x6.56	
TB0241A	210.38	1.26	9	13.7x6.5	Cellular Phone
TB0104A	210.38	1.26	11	7.0x5.02	
TB0124A	210.38	1.0	10	5.2x5.2	Cellular Phone
TB0573A	228.1	27	11	7.0x5.02	
TB0376A	240	10.5	14	7.0x5.0	
TB0309A	240	1	10	13.7x6.5	
TB0391A	240	6.8	14	7.0x5.0	
TB0429A	240	20	13	7.0x5.02	
TB0270A	240	20	8.5	7.0x5.0	
TB0341A	240	6.8	14	7.0x5.0	
TB0208A	243	0.05	6.0	7.0x5.05	
TB0201A	243.95	0.26	4.5	3.9x3.9	
TB0253A	243.95	0.26	4.0	3.5x3.5	PHS
TB0252A	243.95	0.26	4	3.1x3.1	
TB0266A	246	0.1	6.5	7.0x5.0	Cellular Phone
TB0251A	248.45	0.56	4.5	3.5x3.5	PHS
TB0358A	260	30	10	7.0x5.02	
TB0204A	261.12	5	12	13.7x6.5	
TB0377A	268.4	21	14	5.2x5.2	
TB280ID	280	18.50	10	5.2x5.2	WLAN
TB0137A	280	18.50	10	5.2x5.2	WLAN
TB0613A	283.5	0.05	6.5	7.0x5.0	
TB0587A	288	5	17	5.2x5.2	
TB0589A	288	20	15	5.2x5.2	
TB0588A	288	10	15	5.2x5.2	
TB0677A	300	0.2	6.5	5.2x5.2	
TB0633A	300	0.1	7	7.0x5.0	
TB0296A	300	4.5	10	3.1x3.10	
TB0468A	310	10	14	5.2x5.2	
TB0457A	325	6.9	20	7.0x5.02	
TB0398A	325	13	14	7.0x5.0	
TB0560A	325	9	14	7.0x5.02	
TB0191A	326.4	12	17	7.0x5.0	
TB0626A	329.5	15	17	7.0x5.0	
TB0671A	345	5	12.5	7.0x5.0	
TB0672A	350	5	12.5	7.0x5.0	
TB0610A	350	71	13	5.2x5.2	
TB0297A	350	2.4	10	3.1x3.10	
TB0674A	350	14	12	7.0x5.0	
TB0200A	350	2.6	14.5	13.7x6.5	WLL
TB0591A	351.1	12	14	5.2x5.2	
TB0673A	355	5	12.5	7.0x5.0	
TB0130A	360	0.24	5.0	5.2x5.2	Cellular Phone
TB360EC	360	135	5.0	3.9x3.9	Cellular Phone
TB0489A	366.5	23	13.5	5.2x5.2	
TB0525A	369	10.5	12	5.0x5.0	
TB0530A	374	10.5	12.5	5.0x5.0	

Standard Models (continued)

Model Number	Centre Frequency (MHz)	Band width (MHz)	Ins Loss (dB)	Package	Application
TB0501A	374	10.5	11.5	5.0x5.0	
TB0221A	374	19.1	10	3.9x3.9	WLAN
TB0152A	374	17	10	3.9x3.9	WLAN
TB0316A	374	5	12	3.9x3.9	
TB374GD	374	20	10	5.2x5.2	WLAN
TB0210A	374	23.4	10	3.9x3.9	
TB0135A	374	17	10	5.2x5.2	WLAN
TB0151A	374	14	9	7.0x5.0	WLAN
TB374EA	374	20	10	7.0x5.05	WLAN
TB0378A	376.6	75	16	5.2x5.2	
TB0445A	380	5	13	7.0x5.02	
TB0122A	380	4.8	11	3.9x3.9	Cellular Phone
TB0198A	380	5	16	7.0x5.05	Cellular Phone
TB0564A	400	400	7.5	3.1x3.1	
TB0464A	400	0.015	7.5	3.9x3.9	
TB0448A	400	0.015	7.5	5.2x5.2	
TB0299A	400	4.5	10	3.1x3.10	
TB0237A	402.7	21.5	19	5.2x5.2	
TB0261A	403.5	3	5.5	3.9x3.9	
TB0141A	426.5	0.24	5.5	5.2x5.2	Remote Control
TB0657A	427.5	15	13	5.2x5.2	
TB433E2	433.92	0.5	5.0	TO-39	Remote Control
TB433ED	433.92	0.5	5.0	5.2x5.2	Remote Control
TB0490A	435.5	27	13.5	5.2x5.2	
TB0658A	442.5	15	13	5.2x5.2	
TB0205A	453	5.5	7	3.9x3.9	WLL
TB0463A	456	9	9	7.0x5.02	
TB0471A	456	6.2	15.5	7.0x5.02	
TB0427A	456	11.22	9	5.2x5.2	
TB0492A	456	10.4	11	7.0x5.02	
TB0462A	456	5	13	5.2x5.2	
TB0574A	456	6.4	13.5	7.0x5.02	
TB0459A	464	5.52	18	7.0x5.02	
TB0360A	464	3.5	13	7.0x5.0	
TB0472A	464	3.4	13	7.0x5.02	
TB0575A	464	3.4	13.5	7.0x5.02	
TB0206A	465	20	14	5.2x5.2	Remote Control
TB0576A	472.2	27	13.5	7.0x5.02	
TB0160A	473.4	28	13	7.0x5.05	WLL
TB480G3	479.5	16	24	TO-39	Satellite TV
TB0153A	479.5	16	24	TO-39	Satellite TV
TB480F3	479.5	17	23	TO-39	Satellite TV
TB0561A	480	9	14	7.0x5.02	
TB0400A	480	12.1	22	7.0x5.0	
TB0590A	480	36	19.5	5.2x5.2	
TB0606A	480	40	18	5.2x5.2	

Continued on next page...

Ordering Information

Product name + model number
eg: **GSIF TB374GD**

- ♦ Pad configurations and package heights may vary from those shown - please ask for a full specification sheet before ordering
- ♦ Full specifications of all models are available on request

Standard Models (continued)

<i>Model Number</i>	<i>Centre Frequency (MHz)</i>	<i>Band width (MHz)</i>	<i>Ins Loss (dB)</i>	<i>Package</i>	<i>Application</i>
TB0222A	480	3.9	10.3	TO-39	Satellite TV
TB480E3	480	27.0	23.0	TO-39	Satellite TV
TB0420A	494	77	13	5.2x5.2	
TB0577A	512.2	27	13.5	7.0x5.02	
TB0264A	533.33	4.5	9	3.9x3.9	
TB0288A	590	0.39	12	13.7x6.5	
TB0353A	600	4.5	10	3.1x3.1	
TB0300A	644.5	4.5	10	3.1x3.1	
TB0354A	666.667	4.5	10	3.1x3.1	

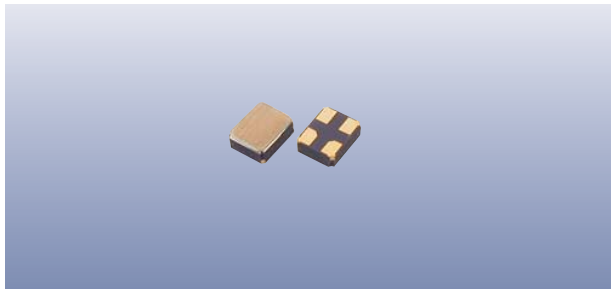
Ordering Information

Product name + model number

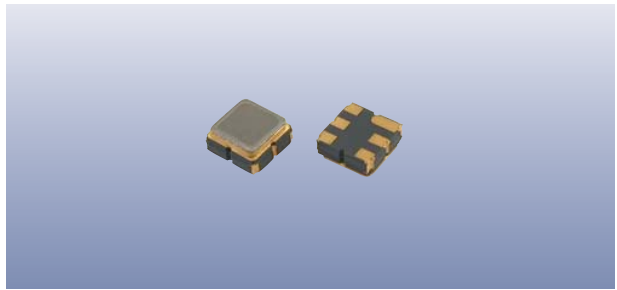
eg: **GSIF TB0353A**

- ◆ Pad configurations and package heights may vary from those shown - please ask for a full specification sheet before ordering
- ◆ Full specifications of all models are available on request

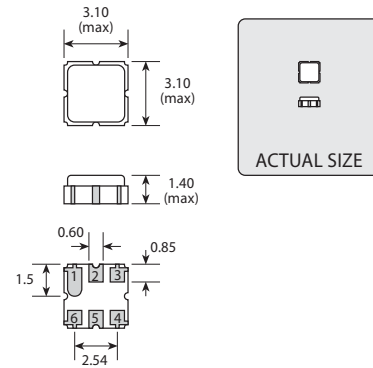
2.5 x 2.0



3.1 x 3.1



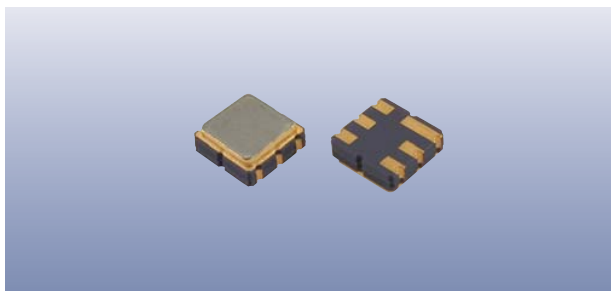
DRAWING UNDER DEVELOPMENT



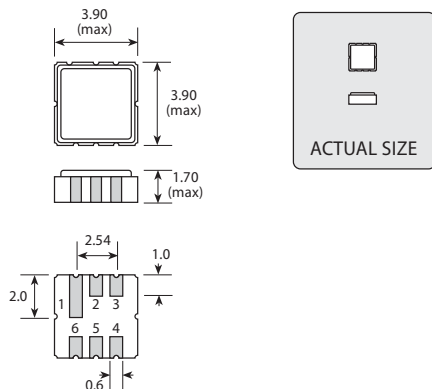
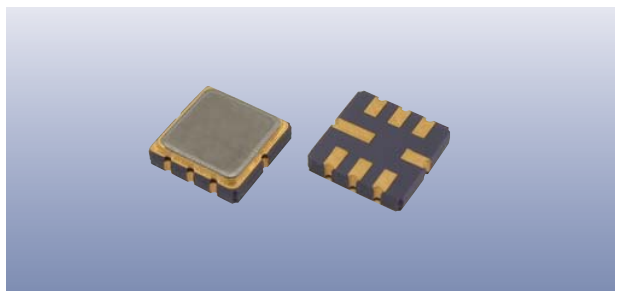
Scale 3:1

Pad connections may vary by model. Check the full specification sheet before ordering

3.9 x 3.9

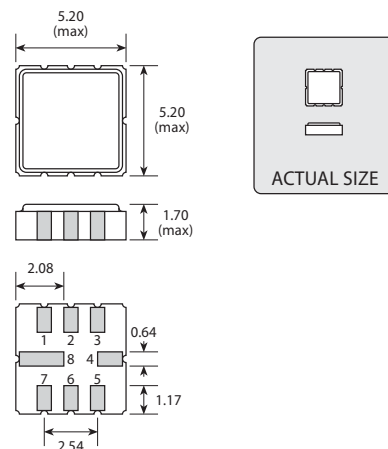


5.2 x 5.2



Scale 3:1

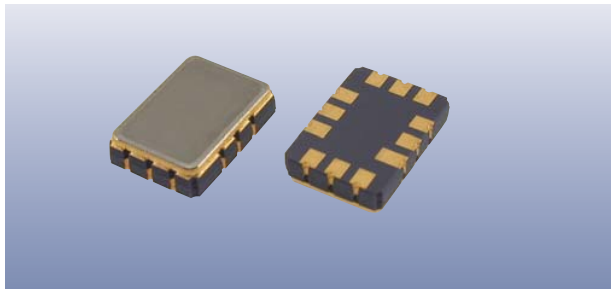
Pad connections may vary by model. Check the full specification sheet before ordering



Scale 3:1

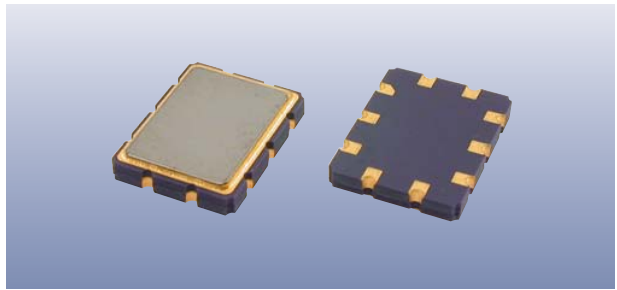
Pad connections may vary by model. Check the full specification sheet before ordering

7.0 x 5.0



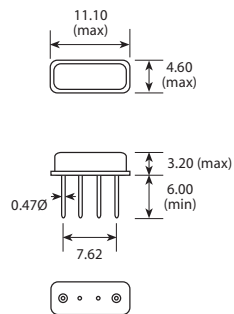
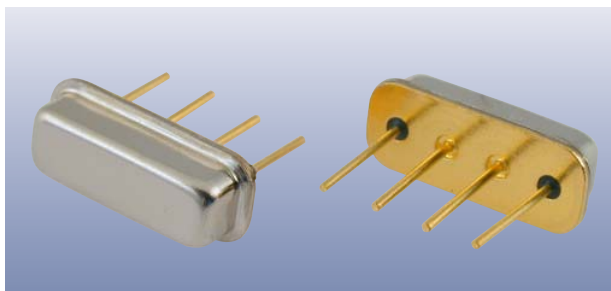
DRAWING UNDER DEVELOPMENT

9.1 x 7.1



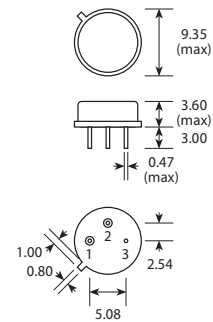
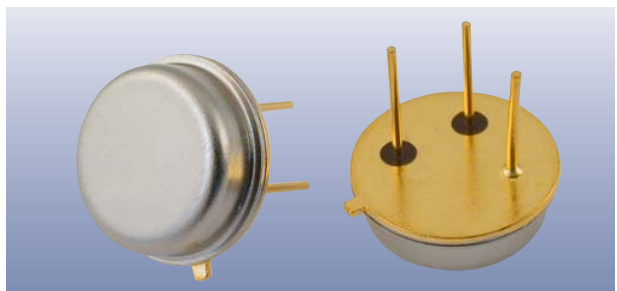
DRAWING UNDER DEVELOPMENT

F-11



Scale 1:1

T0-39



Scale 1:1