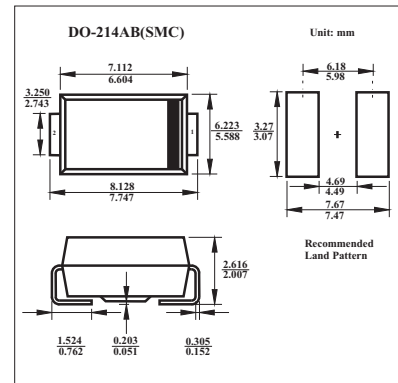


Surface Mount Schottky Barrier Rectifier

KBRD540CTT4

■ Features

- Guard Ring Die Construction for Transient Protection
- Ideally Suited for Automatic Assembly
- Low Forward Voltage Drop
- High Current Capability , High Efficiency
- Low Power Loss



■ Absolute Maximum Ratings Ta = 25°C

Parameter	Symbol	Rating	Unit
Repetitive peak reverse voltage	V _{RRM}	40	V
RMS voltage	V _{RMS}	28	V
DC blocking voltage	V _{DC}	40	V
Maximum average forward rectified current @T _c =75°C	I _{F(AV)}	5.0	A
Peak forward surge current 8.3ms single half sine-wave superimposed on rated load (JEDEC Method)	I _{FSM}	175	A
Instantaneous forward voltage at I _F = 5.0A	V _F	0.55	V
Maximum DC reverse current @T _A =25°C at rated DC blocking voltage @T _A =100°C	I _R	0.5 20	mA
Typical Junction Capacitance (Note 1)	C _J	300	pF
Typical Thermal Resistance, Junction to Ambient	R _{θJA}	50	°C/W
Operating Temperature Range	T _J	-55 to +125	°C
Storage Temperature Range	T _{stg}	-55 to +150	°C

Note: 1. Measured at 1.0MHz and applied reverse voltage of 4.0V DC.

■ Marking

Marking	B540C
---------	-------