

# DDR2 SDRAM UDIMM

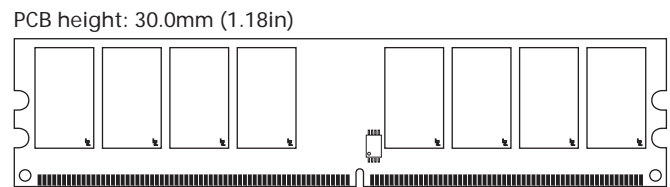
**MT8HTF3264A – 256MB<sup>1</sup>**  
**MT8HTF6464A – 512MB**  
**MT8HTF12864A – 1GB**

For component data sheets, refer to Micron's Web site: [www.micron.com](http://www.micron.com)

## Features

- 240-pin, unbuffered dual in-line memory module (UDIMM)
- Fast data transfer rates: PC2-3200, PC2-4200, PC2-5300, PC2-6400, or PC2-8500
- 256MB (32 Meg x 64), 512MB (64 Meg x 64), 1GB (128 Meg x 64)
- VDD = VDDQ = +1.8V
- VDDSPD = +1.7V to +3.6V
- JEDEC-standard 1.8V I/O (SSTL\_18-compatible)
- Differential data strobe (DQS, DQS#) option
- 4n-bit prefetch architecture
- Single rank
- Multiple internal device banks for concurrent operation
- Programmable CAS# latency (CL)
- Posted CAS# additive latency (AL)
- WRITE latency = READ latency - 1 t<sub>CK</sub>
- Programmable burst lengths (BL) 4 or 8
- Adjustable data-output drive strength
- 64ms, 8,192-cycle refresh
- On-die termination (ODT)
- Serial presence-detect (SPD) with EEPROM
- Gold edge contacts

**Figure 1: 240-Pin UDIMM (MO-237 R/C A and D)**



## Options

- Operating temperature<sup>2</sup>
  - Commercial (0°C ≤ T<sub>A</sub> ≤ +70°C) None
  - Industrial (-40°C ≤ T<sub>A</sub> ≤ +85°C) I
- Package
  - 240-pin DIMM (Pb-free) Y
- Frequency/CAS latency
  - 1.875ns @ CL = 7 (DDR2-1066)<sup>3</sup> -1GA
  - 2.5ns @ CL = 5 (DDR2-800) -80E
  - 2.5ns @ CL = 6 (DDR2-800) -800
  - 3.0ns @ CL = 5 (DDR2-667) -667
  - 3.75ns @ CL = 4 (DDR2-533)<sup>4</sup> -53E
  - 5.0ns @ CL = 3 (DDR2-400)<sup>4</sup> -40E

## Marking

- Notes: 1. End of life.  
 2. Contact Micron for industrial temperature module offerings.  
 3. Available only in 1GB, Rev. E devices.  
 4. Not recommended for new designs.

**Table 1: Key Timing Parameters**

Speed Grade	Industry Nomenclature	Data Rate (MT/s)					t <sub>RCD</sub> (ns)	t <sub>RP</sub> (ns)	t <sub>RC</sub> (ns)
		CL = 7	CL = 6	CL = 5	CL = 4	CL = 3			
-1GA	PC2-8500	1066	800	667	–	–	13.125	13.125	54
-80E	PC2-6400	–	–	800	533	–	12.5	12.5	55
-800	PC2-6400	–	800	667	533	–	15	15	55
-667	PC2-5300	–	–	667	533	400	15	15	55
-53E	PC2-4200	–	–	–	533	400	15	15	55
-40E	PC2-3200	–	–	–	400	400	15	15	55



**Table 2: Addressing**

Parameter	256MB	512MB	1GB
Refresh count	8K	8K	8K
Row address	8K (A0–A12)	16K (A0–A13)	16K (A0–A13)
Device bank address	4 (BA0, BA1)	4 (BA0, BA1)	8 (BA0–BA2)
Device page size per bank	1KB	1KB	1KB
Device configuration	256Mb (32 Meg x 8)	512Mb (64 Meg x 8)	1Gb (128 Meg x 8)
Column address	1K (A0–A9)	1K (A0–A9)	1K (A0–A9)
Module rank address	1 (S0#)	1 (S0#)	1 (S0#)

**Table 3: Part Numbers and Timing Parameters – 256MB Modules**

Base device: MT47H32M8,<sup>1</sup> 256Mb DDR2 SDRAM

Part Number <sup>2</sup>	Module Density	Configuration	Module Bandwidth	Memory Clock/ Data Rate	Clock Cycles (CL- <sup>t</sup> RCD- <sup>t</sup> RP)
MT8HTF3264AY-667__	256MB	32 Meg x 64	5.3 GB/s	3.0ns/667 MT/s	5-5-5
MT8HTF3264AY-53E__	256MB	32 Meg x 64	4.3 GB/s	3.75ns/533 MT/s	4-4-4
MT8HTF3264AY-40E__	256MB	32 Meg x 64	3.2 GB/s	5.0ns/400 MT/s	3-3-3

**Table 4: Part Numbers and Timing Parameters – 512MB Modules**

Base device: MT47H64M8,<sup>1</sup> 512Mb DDR2 SDRAM

Part Number <sup>2</sup>	Module Density	Configuration	Module Bandwidth	Memory Clock/ Data Rate	Clock Cycles (CL- <sup>t</sup> RCD- <sup>t</sup> RP)
MT8HTF6464AY-80E__	512MB	64 Meg x 64	6.2 GB/s	2.5ns/800 MT/s	5-5-5
MT8HTF6464AY-800__	512MB	64 Meg x 64	6.2 GB/s	2.5ns/800 MT/s	6-6-6
MT8HTF6464AY-667__	512MB	64 Meg x 64	5.3 GB/s	3.0ns/667 MT/s	5-5-5
MT8HTF6464AY-53E__	512MB	64 Meg x 64	4.3 GB/s	3.75ns/533 MT/s	4-4-4
MT8HTF6464AY-40E__	512MB	64 Meg x 64	3.2 GB/s	5.0ns/400 MT/s	3-3-3

**Table 5: Part Numbers and Timing Parameters – 1GB Modules**

Base device: MT47H128M8,<sup>1</sup> 1Gb DDR2 SDRAM

Part Number <sup>2</sup>	Module Density	Configuration	Module Bandwidth	Memory Clock/ Data Rate	Clock Cycles (CL- <sup>t</sup> RCD- <sup>t</sup> RP)
MT8HTF12864AY-1GA__	1GB	128 Meg x 64	8.5 GB/s	1.875ns/1066 MT/s	7-7-7
MT8HTF12864AY-80E__	1GB	128 Meg x 64	6.2 GB/s	2.5ns/800 MT/s	5-5-5
MT8HTF12864AY-800__	1GB	128 Meg x 64	6.2 GB/s	2.5ns/800 MT/s	6-6-6
MT8HTF12864AY-667__	1GB	128 Meg x 64	5.3 GB/s	3.0ns/667 MT/s	5-5-5
MT8HTF12864AY-53E__	1GB	128 Meg x 64	4.3 GB/s	3.75ns/533 MT/s	4-4-4
MT8HTF12864AY-40E__	1GB	128 Meg x 64	3.2 GB/s	5.0ns/400 MT/s	3-3-3

- Notes:
1. Data sheets for the base devices can be found on Micron's Web site.
  2. All part numbers end with a two-place code (not shown) that designates component and PCB revisions. Consult factory for current revision codes. Example: MT8HTF12864AY-667E1.



## Pin Assignments and Descriptions

Table 6: Pin Assignments

240-Pin UDIMM Front								240-Pin UDIMM Back							
Pin	Symbol	Pin	Symbol	Pin	Symbol	Pin	Symbol	Pin	Symbol	Pin	Symbol	Pin	Symbol		
1	VREF	31	DQ19	61	A4	91	Vss	121	Vss	151	Vss	181	VDDQ	211	DM5
2	Vss	32	Vss	62	VDDQ	92	DQS5#	122	DQ4	152	DQ28	182	A3	212	NC
3	DQ0	33	DQ24	63	A2	93	DQS5	123	DQ5	153	DQ29	183	A1	213	Vss
4	DQ1	34	DQ25	64	VDD	94	Vss	124	Vss	154	Vss	184	VDD	214	DQ46
5	Vss	35	Vss	65	Vss	95	DQ42	125	DM0	155	DM3	185	CK0	215	DQ47
6	DQS0#	36	DQS3#	66	Vss	96	DQ43	126	NC	156	NC	186	CK0#	216	Vss
7	DQS0	37	DQS3	67	VDD	97	Vss	127	Vss	157	Vss	187	VDD	217	DQ52
8	Vss	38	Vss	68	NC	98	DQ48	128	DQ6	158	DQ30	188	A0	218	DQ53
9	DQ2	39	DQ26	69	VDD	99	DQ49	129	DQ7	159	DQ31	189	VDD	219	Vss
10	DQ3	40	DQ27	70	A10	100	Vss	130	Vss	160	Vss	190	BA1	220	CK2
11	Vss	41	Vss	71	BA0	101	SA2	131	DQ12	161	NC	191	VDDQ	221	CK2#
12	DQ8	42	NC	72	VDDQ	102	NC	132	DQ13	162	NC	192	RAS#	222	Vss
13	DQ9	43	NC	73	WE#	103	Vss	133	Vss	163	Vss	193	S0#	223	DM6
14	Vss	44	Vss	74	CAS#	104	DQS6#	134	DM1	164	NC	194	VDDQ	224	NC
15	DQS1#	45	NC	75	VDDQ	105	DQS6	135	NC	165	NC	195	ODT0	225	Vss
16	DQS1	46	NC	76	NC	106	Vss	136	Vss	166	Vss	196 <sup>2</sup>	NC/A13	226	DQ54
17	Vss	47	Vss	77	NC	107	DQ50	137	CK1	167	NC	197	VDD	227	DQ55
18	NC	48	NC	78	VDDQ	108	DQ51	138	CK1#	168	NC	198	Vss	228	Vss
19	NC	49	NC	79	Vss	109	Vss	139	Vss	169	Vss	199	DQ36	229	DQ60
20	Vss	50	Vss	80	DQ32	110	DQ56	140	DQ14	170	VDDQ	200	DQ37	230	DQ61
21	DQ10	51	VDDQ	81	DQ33	111	DQ57	141	DQ15	171	NC	201	Vss	231	Vss
22	DQ11	52	CKE0	82	Vss	112	Vss	142	Vss	172	VDD	202	DM4	232	DM7
23	Vss	53	VDD	83	DQS4#	113	DQS7#	143	DQ20	173	NC	203	NC	233	NC
24	DQ16	54 <sup>1</sup>	NC/BA2	84	DQS4	114	DQS7	144	DQ21	174	NC	204	Vss	234	Vss
25	DQ17	55	NC	85	Vss	115	Vss	145	Vss	175	VDDQ	205	DQ38	235	DQ62
26	Vss	56	VDDQ	86	DQ34	116	DQ58	146	DM2	176	A12	206	DQ39	236	DQ63
27	DQS2#	57	A11	87	DQ35	117	DQ59	147	NC	177	A9	207	Vss	237	Vss
28	DQS2	58	A7	88	Vss	118	Vss	148	Vss	178	VDD	208	DQ44	238	VDDSPD
29	Vss	59	VDD	89	DQ40	119	SDA	149	DQ22	179	A8	209	DQ45	239	SA0
30	DQ18	60	A5	90	DQ41	120	SCL	150	DQ23	180	A6	210	Vss	240	SA1

- Notes: 1. Pin 54 is NC for 256MB and 512MB or BA2 for 1GB.  
2. Pin 196 is NC for 256MB or A13 for 512MB and 1GB.

Table 7: Pin Descriptions

Symbol	Type	Description
A0–A13	Input (SSTL_18)	<b>Address inputs:</b> Provide the row address for ACTIVE commands, and the column address and auto precharge bit (A10) for READ/WRITE commands, to select one location out of the memory array in the respective bank. A10 sampled during a PRECHARGE command determines whether the PRECHARGE applies to one device bank (A10 LOW, device bank selected by BA0–BA2) or all device banks (A10 HIGH). The address inputs also provide the op-code during a LOAD MODE command. A0–A12 (256MB) and A0–A13 (512MB, 1GB).
BA0–BA2	Input (SSTL_18)	<b>Bank address inputs:</b> BA0–BA2 define to which device bank an ACTIVE, READ, WRITE, or PRECHARGE command is being applied. BA0–BA2 define which mode register, including MR, EMR, EMR(2), and EMR(3), is loaded during the LOAD MODE command. BA0, BA1 (256MB, 512MB) and BA0–BA2 (1GB).
CK0, CK0#, CK1, CK1#, CK2, CK2#	Input (SSTL_18)	<b>Clock:</b> CK and CK# are differential clock inputs. All address and control input signals are sampled on the crossing of the positive edge of CK and the negative edge of CK#. Output data (DQs and DQS/DQS#) is referenced to the crossings of CK and CK#.
CKE0	Input (SSTL_18)	<b>Clock enable:</b> CKE (registered HIGH) activates and CKE (registered LOW) deactivates clocking circuitry on the DDR2 SDRAM.
ODT0	Input (SSTL_18)	<b>On-die termination:</b> ODT (registered HIGH) enables termination resistance internal to the DDR2 SDRAM. When enabled, ODT is only applied to the following pins: DQ, DQS, DQS#, and CB. The ODT input will be ignored if disabled via the LOAD MODE command.
RAS#, CAS#, WE#	Input (SSTL_18)	<b>Command inputs:</b> RAS#, CAS#, and WE# (along with S#) define the command being entered.
S0#	Input (SSTL_18)	<b>Chip select:</b> S# enables (registered LOW) and disables (registered HIGH) the command decoder.
SA0–SA2	Input (SSTL_18)	<b>Presence-detect address inputs:</b> These pins are used to configure the presence-detect devices.
SCL	Input (SSTL_18)	<b>Serial clock for presence-detect:</b> SCL is used to synchronize the presence-detect data transfer to and from the module.
DM0–DM7	I/O (SSTL_18)	<b>Data input mask:</b> DM is an input mask signal for write data. Input data is masked when DM is sampled HIGH, along with that input data, during a write access. DM is sampled on both edges of DQS. Although DM pins are input-only, the DM loading is designed to match that of DQ and DQS pins.
DQ0–DQ63	I/O (SSTL_18)	<b>Data input/output:</b> Bidirectional data bus.
DQS0–DQS7, DQS0#–DQS7#	I/O (SSTL_18)	<b>Data strobe:</b> Output with read data, input with write data for source synchronous operation. Edge-aligned with read data, center-aligned with write data. DQS# is only used when differential data strobe mode is enabled via the LOAD MODE command.
SDA	I/O	<b>Serial presence-detect data:</b> SDA is a bidirectional pin used to transfer addresses and data into and out of the presence-detect portion of the module.
VDD/VDDQ	Supply	<b>Power supply:</b> 1.8V ±0.1V.
VDDSPD	Supply	<b>Serial EEPROM positive power supply:</b> +1.7V to +3.6V.
VREF	Supply	SSTL_18 reference voltage. (VDD/2)
VSS	Supply	Ground.
NC	–	<b>No connect:</b> These pins are not connected on the module.

## Functional Block Diagrams

Figure 2: Functional Block Diagram, Type 1

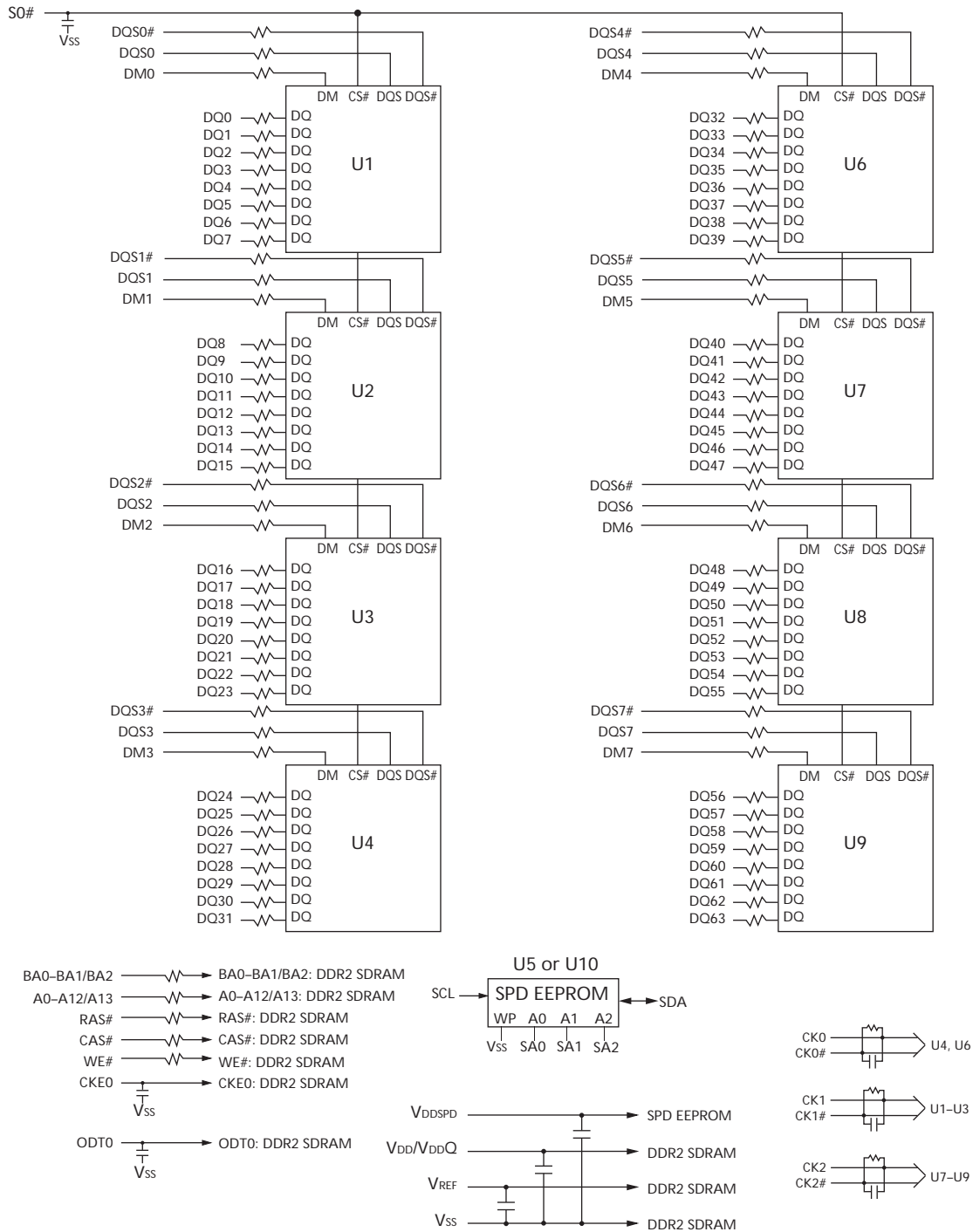
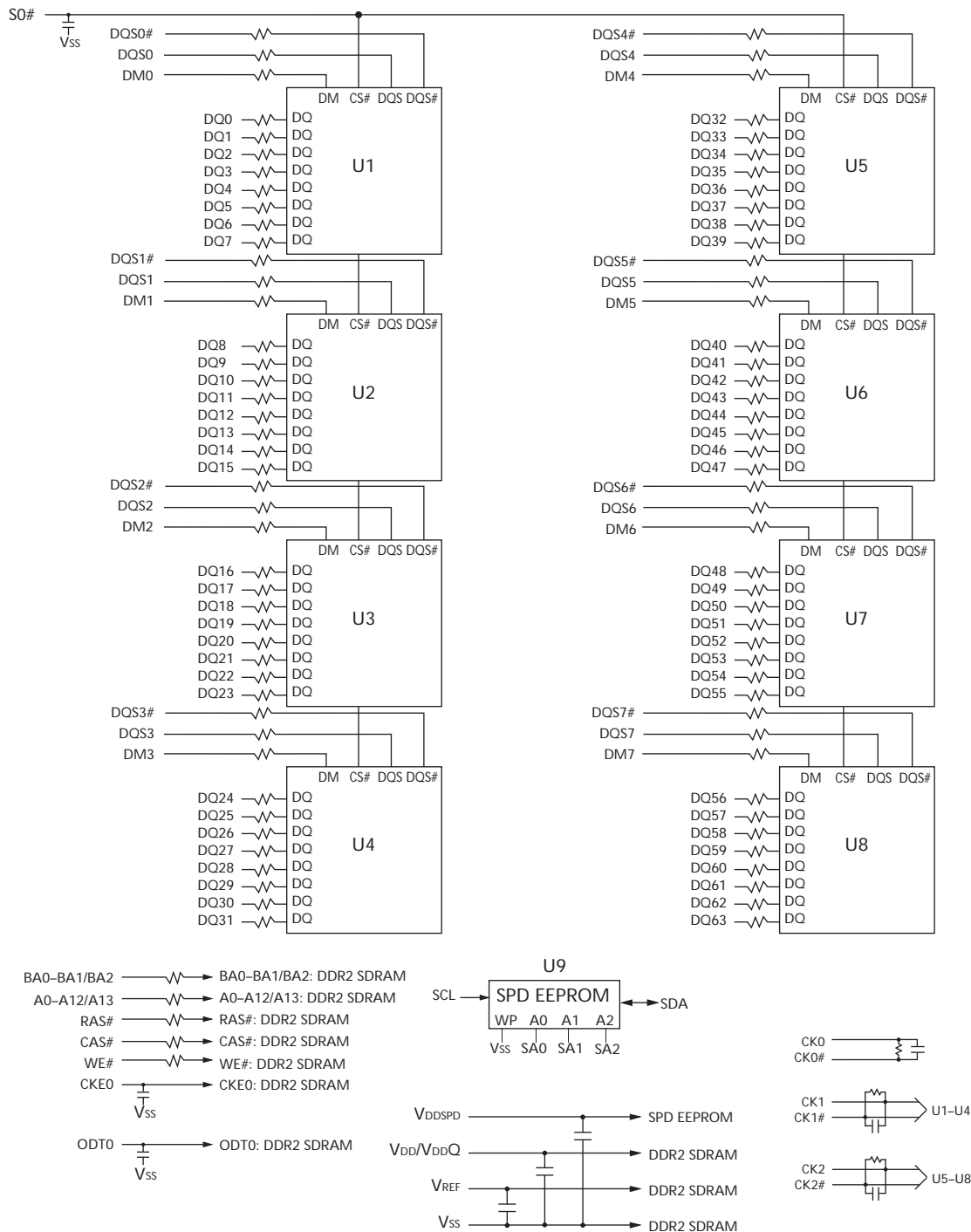


Figure 3: Functional Block Diagram, Type 2



## General Description

The MT8HTF3264A, MT8HTF6464A, and MT8HTF12864A DDR2 SDRAM modules are high-speed, CMOS, dynamic random-access 256MB, 512MB, and 1GB memory modules organized in a x64 configuration. These DDR2 SDRAM modules use internally configured, 4-bank (256Mb, 512Mb) or 8-bank (1Gb) DDR2 SDRAM devices.

DDR2 SDRAM modules use double data rate architecture to achieve high-speed operation. The double data rate architecture is essentially a  $4n$ -prefetch architecture with an interface designed to transfer two data words per clock cycle at the I/O pins. A single read or write access for the DDR2 SDRAM module effectively consists of a single  $4n$ -bit-wide, one-clock-cycle data transfer at the internal DRAM core and four corresponding  $n$ -bit-wide, one-half-clock-cycle data transfers at the I/O pins.

A bidirectional data strobe (DQS, DQS#) is transmitted externally, along with data, for use in data capture at the receiver. DQS is a strobe transmitted by the DDR2 SDRAM device during READs and by the memory controller during WRITEs. DQS is edge-aligned with data for READs and center-aligned with data for WRITEs.

DDR2 SDRAM modules operate from a differential clock (CK and CK#); the crossing of CK going HIGH and CK# going LOW will be referred to as the positive edge of CK. Commands are registered at every positive edge of CK. Input data is registered on both edges of DQS. Output data is referenced to both edges of DQS as well as to both edges of CK.

## Serial Presence-Detect Operation

DDR2 SDRAM modules incorporate serial presence-detect (SPD). The SPD function is implemented using a 2,048-bit EEPROM. This nonvolatile storage device contains 256 bytes. The first 128 bytes are programmed by Micron to identify the module type and various SDRAM organizations and timing parameters. The remaining 128 bytes of storage are available for use by the customer. System READ/WRITE operations between the master (system logic) and the slave EEPROM device occur via a standard I<sup>2</sup>C bus using the DIMM's SCL (clock) and SDA (data) signals, together with SA (2:0), which provide eight unique DIMM/EEPROM addresses. Write protect (WP) is tied to VSS on the module, permanently disabling hardware write protect.

## Electrical Specifications

Stresses greater than those listed in Table 8 may cause permanent damage to the module. This is a stress rating only, and functional operation of the module at these or any other conditions outside those indicated in the device data sheet is not implied. Exposure to absolute maximum rating conditions for extended periods may adversely affect reliability.

**Table 8: Absolute Maximum Ratings**

Symbol	Parameter	Min	Max	Units	
VDD/VDDQ	VDD/VDDQ supply voltage relative to Vss	-0.5	+2.3	V	
VIN, VOUT	Voltage on any pin relative to Vss	-0.5	+2.3	V	
II	Input leakage current; Any input $0V \leq V_{IN} \leq V_{DD}$ ; VREF input $0V \leq V_{IN} \leq 0.95V$ (All other pins not under test = 0V)	Address inputs RAS#, CAS#, WE#, S#, CKE, ODT, BA	-40	+40	$\mu A$
		CK0, CK0# (PCB Type 1)	-10	+10	
		CK1, CK1#, CK2, CK2# (PCB Type 1)	-15	+15	
		CK1, CK1#, CK2, CK2# (PCB Type 2)	-20	+20	
		DM	-5	+5	
I <sub>OZ</sub>	Output leakage current; $0V \leq V_{OUT} \leq V_{DDQ}$ ; DQs and ODT are disabled	-5	+5	$\mu A$	
I <sub>VREF</sub>	VREF leakage current; VREF = valid VREF level	-16	+16	$\mu A$	
T <sub>C</sub> <sup>1</sup>	DDR2 SDRAM component case operating temperature <sup>2</sup>	Commercial	0	+85	$^{\circ}C$
		Industrial	-40	+95	$^{\circ}C$

- Notes: 1. The refresh rate is required to double when  $85^{\circ}C < T_C \leq 95^{\circ}C$ .  
2. For further information, refer to technical note TN-00-08: "Thermal Applications," available on Micron's Web site.

## Input Capacitance

Micron encourages designers to simulate the performance of the module to achieve optimum values. Simulations are significantly more accurate and realistic than a gross estimation of module capacitance when inductance and delay parameters associated with trace lengths are used in simulations. JEDEC modules are currently designed using simulations to close timing budgets.

## Component AC Timing and Operating Conditions

Recommended AC operating conditions are given in the DDR2 component data sheets. Component specifications are available on Micron's Web site. Module speed grades correlate with component speed grades, as shown Table 9.

**Table 9: Module and Component Speed Grades**

Module Speed Grade	Component Speed Grade
-1GA	-187E
-80E	-25E
-800	-25
-667	-3
-53E	-37E
-40E	-5E



## IDD Specifications

**Table 10: DDR2 IDD Specifications and Conditions – 256MB**

Values are shown for the MT47H32M8 DDR2 SDRAM only and are computed from values specified in the 256Mb (32 Meg x 8) component data sheet

Parameter/Condition	Symbol	-667	-53E	-40E	Units	
<b>Operating one bank active-precharge current:</b> $t_{CK} = t_{CK} (IDD)$ , $t_{RC} = t_{RC} (IDD)$ , $t_{RAS} = t_{RAS} MIN (IDD)$ ; CKE is HIGH, S# is HIGH between valid commands; Address bus inputs are switching; Data bus inputs are switching	IDD0	720	640	600	mA	
<b>Operating one bank active-read-precharge current:</b> $I_{OUT} = 0mA$ ; BL = 4, CL = CL (IDD), AL = 0; $t_{CK} = t_{CK} (IDD)$ , $t_{RC} = t_{RC} (IDD)$ , $t_{RAS} = t_{RAS} MIN (IDD)$ , $t_{RCD} = t_{RCD} (IDD)$ ; CKE is HIGH, S# is HIGH between valid commands; Address bus inputs are switching; Data pattern is same as IDD4W	IDD1	800	720	680	mA	
<b>Precharge power-down current:</b> All device banks idle; $t_{CK} = t_{CK} (IDD)$ ; CKE is LOW; Other control and address bus inputs are stable; Data bus inputs are floating	IDD2P	40	40	40	mA	
<b>Precharge quiet standby current:</b> All device banks idle; $t_{CK} = t_{CK} (IDD)$ ; CKE is HIGH, S# is HIGH; Other control and address bus inputs are stable; Data bus inputs are floating	IDD2Q	320	280	200	mA	
<b>Precharge standby current:</b> All device banks idle; $t_{CK} = t_{CK} (IDD)$ ; CKE is HIGH, S# is HIGH; Other control and address bus inputs are switching; Data bus inputs are switching	IDD2N	320	280	240	mA	
<b>Active power-down current:</b> All device banks open; $t_{CK} = t_{CK} (IDD)$ ; CKE is LOW; Other control and address bus inputs are stable; Data bus inputs are floating	Fast PDN exit MR[12] = 0	IDD3P	240	200	160	mA
		Slow PDN exit MR[12] = 1	48	48	48	mA
<b>Active standby current:</b> All device banks open; $t_{CK} = t_{CK} (IDD)$ , $t_{RAS} = t_{RAS} MAX (IDD)$ , $t_{RP} = t_{RP} (IDD)$ ; CKE is HIGH, S# is HIGH between valid commands; Other control and address bus inputs are switching; Data bus inputs are switching	IDD3N	400	320	240	mA	
<b>Operating burst write current:</b> All device banks open; Continuous burst writes; BL = 4, CL = CL (IDD), AL = 0; $t_{CK} = t_{CK} (IDD)$ , $t_{RAS} = t_{RAS} MAX (IDD)$ , $t_{RP} = t_{RP} (IDD)$ ; CKE is HIGH, S# is HIGH between valid commands; Address bus inputs are switching; Data bus inputs are switching	IDD4W	1,520	1,280	1,000	mA	
<b>Operating burst read current:</b> All device banks open; Continuous burst reads; $I_{OUT} = 0mA$ ; BL = 4, CL = CL (IDD), AL = 0; $t_{CK} = t_{CK} (IDD)$ , $t_{RAS} = t_{RAS} MAX (IDD)$ , $t_{RP} = t_{RP} (IDD)$ ; CKE is HIGH, S# is HIGH between valid commands; Address bus inputs are switching; Data bus inputs are switching	IDD4R	1,440	1,200	920	mA	
<b>Burst refresh current:</b> $t_{CK} = t_{CK} (IDD)$ ; REFRESH command at every $t_{RFC} (IDD)$ interval; CKE is HIGH, S# is HIGH between valid commands; Other control and address bus inputs are switching; Data bus inputs are switching	IDD5	1,440	1,360	1,320	mA	
<b>Self refresh current:</b> CK and CK# at 0V; $CKE \leq 0.2V$ ; Other control and address bus inputs are floating; Data bus inputs are floating	IDD6	40	40	40	mA	
<b>Operating bank interleave read current:</b> All device banks interleaving reads; $I_{OUT} = 0mA$ ; BL = 4, CL = CL (IDD), AL = $t_{RCD} (IDD) - 1 \times t_{CK} (IDD)$ ; $t_{CK} = t_{CK} (IDD)$ , $t_{RC} = t_{RC} (IDD)$ , $t_{RRD} = t_{RRD} (IDD)$ , $t_{RCD} = t_{RCD} (IDD)$ ; CKE is HIGH, S# is HIGH between valid commands; Address bus inputs are stable during deselects; Data bus inputs are switching	IDD7	2,000	1,920	1,840	mA	

**Table 11: DDR2 IDD Specifications and Conditions - 512MB**

Values are shown for the MT47H64M8 DDR2 SDRAM only and are computed from values specified in the 512Mb (64 Meg x 8) component data sheet

Parameter/Condition	Symbol	-80E/ -800	-667	-53E	-40E	Units	
<b>Operating one bank active-precharge current:</b> $t_{CK} = t_{CK} (IDD)$ , $t_{RC} = t_{RC} (IDD)$ , $t_{RAS} = t_{RAS} \text{ MIN} (IDD)$ ; CKE is HIGH, S# is HIGH between valid commands; Address bus inputs are switching; Data bus inputs are switching	IDD0	800	720	640	640	mA	
<b>Operating one bank active-read-precharge current:</b> $I_{OUT} = 0\text{mA}$ ; BL = 4, CL = CL (IDD), AL = 0; $t_{CK} = t_{CK} (IDD)$ , $t_{RC} = t_{RC} (IDD)$ , $t_{RAS} = t_{RAS} \text{ MIN} (IDD)$ , $t_{RCD} = t_{RCD} (IDD)$ ; CKE is HIGH, S# is HIGH between valid commands; Address bus inputs are switching; Data pattern is same as IDD4W	IDD1	920	840	760	720	mA	
<b>Precharge power-down current:</b> All device banks idle; $t_{CK} = t_{CK} (IDD)$ ; CKE is LOW; Other control and address bus inputs are stable; Data bus inputs are floating	IDD2P	56	56	56	56	mA	
<b>Precharge quiet standby current:</b> All device banks idle; $t_{CK} = t_{CK} (IDD)$ ; CKE is HIGH, S# is HIGH; Other control and address bus inputs are stable; Data bus inputs are floating	IDD2Q	400	360	320	280	mA	
<b>Precharge standby current:</b> All device banks idle; $t_{CK} = t_{CK} (IDD)$ ; CKE is HIGH, S# is HIGH; Other control and address bus inputs are switching; Data bus inputs are switching	IDD2N	440	400	360	320	mA	
<b>Active power-down current:</b> All device banks open; $t_{CK} = t_{CK} (IDD)$ ; CKE is LOW; Other control and address bus inputs are stable; Data bus inputs are floating	IDD3P	Fast PDN exit MR[12] = 0	320	280	240	200	mA
		Slow PDN exit MR[12] = 1	96	96	96	96	mA
<b>Active standby current:</b> All device banks open; $t_{CK} = t_{CK} (IDD)$ , $t_{RAS} = t_{RAS} \text{ MAX} (IDD)$ , $t_{RP} = t_{RP} (IDD)$ ; CKE is HIGH, S# is HIGH between valid commands; Other control and address bus inputs are switching; Data bus inputs are switching	IDD3N	560	520	440	360	mA	
<b>Operating burst write current:</b> All device banks open; Continuous burst writes; BL = 4, CL = CL (IDD), AL = 0; $t_{CK} = t_{CK} (IDD)$ , $t_{RAS} = t_{RAS} \text{ MAX} (IDD)$ , $t_{RP} = t_{RP} (IDD)$ ; CKE is HIGH, S# is HIGH between valid commands; Address bus inputs are switching; Data bus inputs are switching	IDD4W	1,560	1,360	1,120	920	mA	
<b>Operating burst read current:</b> All device banks open; Continuous burst reads; $I_{OUT} = 0\text{mA}$ ; BL = 4, CL = CL (IDD), AL = 0; $t_{CK} = t_{CK} (IDD)$ , $t_{RAS} = t_{RAS} \text{ MAX} (IDD)$ , $t_{RP} = t_{RP} (IDD)$ ; CKE is HIGH, S# is HIGH between valid commands; Address bus inputs are switching; Data bus inputs are switching	IDD4R	1,640	1,440	1,160	920	mA	
<b>Burst refresh current:</b> $t_{CK} = t_{CK} (IDD)$ ; REFRESH command at every $t_{RFC} (IDD)$ interval; CKE is HIGH, S# is HIGH between valid commands; Other control and address bus inputs are switching; Data bus inputs are switching	IDD5	1,840	1,440	1,360	1,320	mA	
<b>Self refresh current:</b> CK and CK# at 0V; CKE $\leq 0.2\text{V}$ ; Other control and address bus inputs are floating; Data bus inputs are floating	IDD6	56	56	56	56	mA	
<b>Operating bank interleave read current:</b> All device banks interleaving reads; $I_{OUT} = 0\text{mA}$ ; BL = 4, CL = CL (IDD), AL = $t_{RCD} (IDD) - 1 \times t_{CK} (IDD)$ ; $t_{CK} = t_{CK} (IDD)$ , $t_{RC} = t_{RC} (IDD)$ , $t_{RRD} = t_{RRD} (IDD)$ , $t_{RCD} = t_{RCD} (IDD)$ ; CKE is HIGH, S# is HIGH between valid commands; Address bus inputs are stable during deselects; Data bus inputs are switching	IDD7	2,400	1,920	1,800	1,760	mA	

**Table 12: DDR2 IDD Specifications and Conditions (Die Revision A) – 1GB**

Values are shown for the MT47H128M8 DDR2 SDRAM only and are computed from values specified in the 1Gb (128 Meg x 8) component data sheet

Parameter/Condition	Symbol	-667	-53E	-40E	Units	
<b>Operating one bank active-precharge current:</b> $t_{CK} = t_{CK} (IDD)$ , $t_{RC} = t_{RC} (IDD)$ , $t_{RAS} = t_{RAS} \text{ MIN} (IDD)$ ; CKE is HIGH, S# is HIGH between valid commands; Address bus inputs are switching; Data bus inputs are switching	IDD0	720	640	560	mA	
<b>Operating one bank active-read-precharge current:</b> $I_{OUT} = 0\text{mA}$ ; BL = 4, CL = CL (IDD), AL = 0; $t_{CK} = t_{CK} (IDD)$ , $t_{RC} = t_{RC} (IDD)$ , $t_{RAS} = t_{RAS} \text{ MIN} (IDD)$ , $t_{RCD} = t_{RCD} (IDD)$ ; CKE is HIGH, S# is HIGH between valid commands; Address bus inputs are switching; Data pattern is same as IDD4W	IDD1	800	760	640	mA	
<b>Precharge power-down current:</b> All device banks idle; $t_{CK} = t_{CK} (IDD)$ ; CKE is LOW; Other control and address bus inputs are stable; Data bus inputs are floating	IDD2P	56	56	56	mA	
<b>Precharge quiet standby current:</b> All device banks idle; $t_{CK} = t_{CK} (IDD)$ ; CKE is HIGH, S# is HIGH; Other control and address bus inputs are stable; Data bus inputs are floating	IDD2Q	440	328	280	mA	
<b>Precharge standby current:</b> All device banks idle; $t_{CK} = t_{CK} (IDD)$ ; CKE is HIGH, S# is HIGH; Other control and address bus inputs are switching; Data bus inputs are switching	IDD2N	480	360	320	mA	
<b>Active power-down current:</b> All device banks open; $t_{CK} = t_{CK} (IDD)$ ; CKE is LOW; Other control and address bus inputs are stable; Data bus inputs are floating	IDD3P	Fast PDN exit MR[12] = 0	320	240	200	mA
		Slow PDN exit MR[12] = 1	80	80	80	mA
<b>Active standby current:</b> All device banks open; $t_{CK} = t_{CK} (IDD)$ , $t_{RAS} = t_{RAS} \text{ MAX} (IDD)$ , $t_{RP} = t_{RP} (IDD)$ ; CKE is HIGH, S# is HIGH between valid commands; Other control and address bus inputs are switching; Data bus inputs are switching	IDD3N	560	440	360	mA	
<b>Operating burst write current:</b> All device banks open; Continuous burst writes; BL = 4, CL = CL (IDD), AL = 0; $t_{CK} = t_{CK} (IDD)$ , $t_{RAS} = t_{RAS} \text{ MAX} (IDD)$ , $t_{RP} = t_{RP} (IDD)$ ; CKE is HIGH, S# is HIGH between valid commands; Address bus inputs are switching; Data bus inputs are switching	IDD4W	1,280	1,040	880	mA	
<b>Operating burst read current:</b> All device banks open; Continuous burst reads; $I_{OUT} = 0\text{mA}$ ; BL = 4, CL = CL (IDD), AL = 0; $t_{CK} = t_{CK} (IDD)$ , $t_{RAS} = t_{RAS} \text{ MAX} (IDD)$ , $t_{RP} = t_{RP} (IDD)$ ; CKE is HIGH, S# is HIGH between valid commands; Address bus inputs are switching; Data bus inputs are switching	IDD4R	1,280	1,160	880	mA	
<b>Burst refresh current:</b> $t_{CK} = t_{CK} (IDD)$ ; REFRESH command at every $t_{RFC} (IDD)$ interval; CKE is HIGH, S# is HIGH between valid commands; Other control and address bus inputs are switching; Data bus inputs are switching	IDD5	2,080	2,000	1,760	mA	
<b>Self refresh current:</b> CK and CK# at 0V; $CKE \leq 0.2V$ ; Other control and address bus inputs are floating; Data bus inputs are floating	IDD6	56	56	56	mA	
<b>Operating bank interleave read current:</b> All device banks interleaving reads; $I_{OUT} = 0\text{mA}$ ; BL = 4, CL = CL (IDD), AL = $t_{RCD} (IDD) - 1 \times t_{CK} (IDD)$ ; $t_{CK} = t_{CK} (IDD)$ , $t_{RC} = t_{RC} (IDD)$ , $t_{RRD} = t_{RRD} (IDD)$ , $t_{RCD} = t_{RCD} (IDD)$ ; CKE is HIGH, S# is HIGH between valid commands; Address bus inputs are stable during deselects; Data bus inputs are switching	IDD7	2,400	2,320	2,080	mA	

**Table 13: DDR2 IDD Specifications and Conditions (Die Revision E) – 1GB**

Values are shown for the MT47H128M8 DDR2 SDRAM only and are computed from values specified in the 1Gb (128 Meg x 8) component data sheet

Parameter/Condition	Symbol	-1GA	-80E/ -800	-667	-53E	-40E	Units	
<b>Operating one bank active-precharge current:</b> $t_{CK} = t_{CK} (IDD)$ , $t_{RC} = t_{RC} (IDD)$ , $t_{RAS} = t_{RAS} \text{ MIN} (IDD)$ ; CKE is HIGH, S# is HIGH between valid commands; Address bus inputs are switching; Data bus inputs are switching	IDD0	920	720	680	560	560	mA	
<b>Operating one bank active-read-precharge current:</b> $I_{OUT} = 0\text{mA}$ ; BL = 4, CL = CL (IDD), AL = 0; $t_{CK} = t_{CK} (IDD)$ , $t_{RC} = t_{RC} (IDD)$ , $t_{RAS} = t_{RAS} \text{ MIN} (IDD)$ , $t_{RCD} = t_{RCD} (IDD)$ ; CKE is HIGH, S# is HIGH between valid commands; Address bus inputs are switching; Data pattern is same as IDD4W	IDD1	1,040	880	800	760	720	mA	
<b>Precharge power-down current:</b> All device banks idle; $t_{CK} = t_{CK} (IDD)$ ; CKE is LOW; Other control and address bus inputs are stable; Data bus inputs are floating	IDD2P	56	56	56	56	56	mA	
<b>Precharge quiet standby current:</b> All device banks idle; $t_{CK} = t_{CK} (IDD)$ ; CKE is HIGH, S# is HIGH; Other control and address bus inputs are stable; Data bus inputs are floating	IDD2Q	480	400	320	320	280	mA	
<b>Precharge standby current:</b> All device banks idle; $t_{CK} = t_{CK} (IDD)$ ; CKE is HIGH, S# is HIGH; Other control and address bus inputs are switching; Data bus inputs are switching	IDD2N	480	400	320	320	280	mA	
<b>Active power-down current:</b> All device banks open; $t_{CK} = t_{CK} (IDD)$ ; CKE is LOW; Other control and address bus inputs are stable; Data bus inputs are floating	Fast PDN exit MR[12] = 0	IDD3P	400	320	240	240	240	mA
		Slow PDN exit MR[12] = 1	80	80	80	80	80	mA
<b>Active standby current:</b> All device banks open; $t_{CK} = t_{CK} (IDD)$ , $t_{RAS} = t_{RAS} \text{ MAX} (IDD)$ , $t_{RP} = t_{RP} (IDD)$ ; CKE is HIGH, S# is HIGH between valid commands; Other control and address bus inputs are switching; Data bus inputs are switching	IDD3N	560	480	440	360	320	mA	
<b>Operating burst write current:</b> All device banks open; Continuous burst writes; BL = 4, CL = CL (IDD), AL = 0; $t_{CK} = t_{CK} (IDD)$ , $t_{RAS} = t_{RAS} \text{ MAX} (IDD)$ , $t_{RP} = t_{RP} (IDD)$ ; CKE is HIGH, S# is HIGH between valid commands; Address bus inputs are switching; Data bus inputs are switching	IDD4W	1,520	1,280	1,080	1,000	840	mA	
<b>Operating burst read current:</b> All device banks open; Continuous burst reads; $I_{OUT} = 0\text{mA}$ ; BL = 4, CL = CL (IDD), AL = 0; $t_{CK} = t_{CK} (IDD)$ , $t_{RAS} = t_{RAS} \text{ MAX} (IDD)$ , $t_{RP} = t_{RP} (IDD)$ ; CKE is HIGH, S# is HIGH between valid commands; Address bus inputs are switching; Data bus inputs are switching	IDD4R	1,520	1,280	1,080	1,000	840	mA	
<b>Burst refresh current:</b> $t_{CK} = t_{CK} (IDD)$ ; REFRESH command at every $t_{RFC} (IDD)$ interval; CKE is HIGH, S# is HIGH between valid commands; Other control and address bus inputs are switching; Data bus inputs are switching	IDD5	2,120	1,880	1,720	1,680	1,640	mA	
<b>Self refresh current:</b> CK and CK# at 0V; $CKE \leq 0.2\text{V}$ ; Other control and address bus inputs are floating; Data bus inputs are floating	IDD6	56	56	56	56	56	mA	
<b>Operating bank interleave read current:</b> All device banks interleaving reads; $I_{OUT} = 0\text{mA}$ ; BL = 4, CL = CL (IDD), AL = $t_{RCD} (IDD) - 1 \times t_{CK} (IDD)$ ; $t_{CK} = t_{CK} (IDD)$ , $t_{RC} = t_{RC} (IDD)$ , $t_{RRD} = t_{RRD} (IDD)$ , $t_{RCD} = t_{RCD} (IDD)$ ; CKE is HIGH, S# is HIGH between valid commands; Address bus inputs are stable during deselects; Data bus inputs are switching	IDD7	3,400	2,680	2,240	2,160	2,080	mA	

## Serial Presence-Detect

**Table 14: Serial Presence-Detect EEPROM DC Operating Conditions**

Parameter/Condition	Symbol	Min	Max	Units
Supply voltage	VDDSPD	1.7	3.6	V
Input high voltage: Logic 1; All inputs	V <sub>IH</sub>	VDDSPD × 0.7	VDDSPD + 0.5	V
Input low voltage: Logic 0; All inputs	V <sub>IL</sub>	-0.6	VDDSPD × 0.3	V
Output low voltage: I <sub>OUT</sub> = 3mA	V <sub>OL</sub>	-	0.4	V
Input leakage current: V <sub>IN</sub> = GND to VDD	I <sub>LI</sub>	0.10	3.0	μA
Output leakage current: V <sub>OUT</sub> = GND to VDD	I <sub>LO</sub>	0.05	3.0	μA
Standby current	I <sub>SB</sub>	1.6	4.0	μA
Power supply current, READ: SCL clock frequency = 100 kHz	I <sub>CCR</sub>	0.4	1.0	mA
Power supply current, WRITE: SCL clock frequency = 100 kHz	I <sub>CCW</sub>	2.0	3.0	mA

**Table 15: Serial Presence-Detect EEPROM AC Operating Conditions**

Parameter/Condition	Symbol	Min	Max	Units	Notes
SCL LOW to SDA data-out valid	t <sub>AA</sub>	0.2	0.9	μs	1
Time the bus must be free before a new transition can start	t <sub>BUF</sub>	1.3	-	μs	
Data-out hold time	t <sub>DH</sub>	200	-	ns	
SDA and SCL fall time	t <sub>F</sub>	-	300	ns	2
Data-in hold time	t <sub>HD:DAT</sub>	0	-	μs	
Start condition hold time	t <sub>HD:STA</sub>	0.6	-	μs	
Clock HIGH period	t <sub>HIGH</sub>	0.6	-	μs	
Noise suppression time constant at SCL, SDA inputs	t <sub>I</sub>	-	50	ns	
Clock LOW period	t <sub>LOW</sub>	1.3	-	μs	
SDA and SCL rise time	t <sub>R</sub>	-	0.3	μs	2
SCL clock frequency	f <sub>SCL</sub>	-	400	kHz	
Data-in setup time	t <sub>SU:DAT</sub>	100	-	ns	
Start condition setup time	t <sub>SU:STA</sub>	0.6	-	μs	3
Stop condition setup time	t <sub>SU:STO</sub>	0.6	-	μs	
WRITE cycle time	t <sub>WRC</sub>	-	10	ms	4

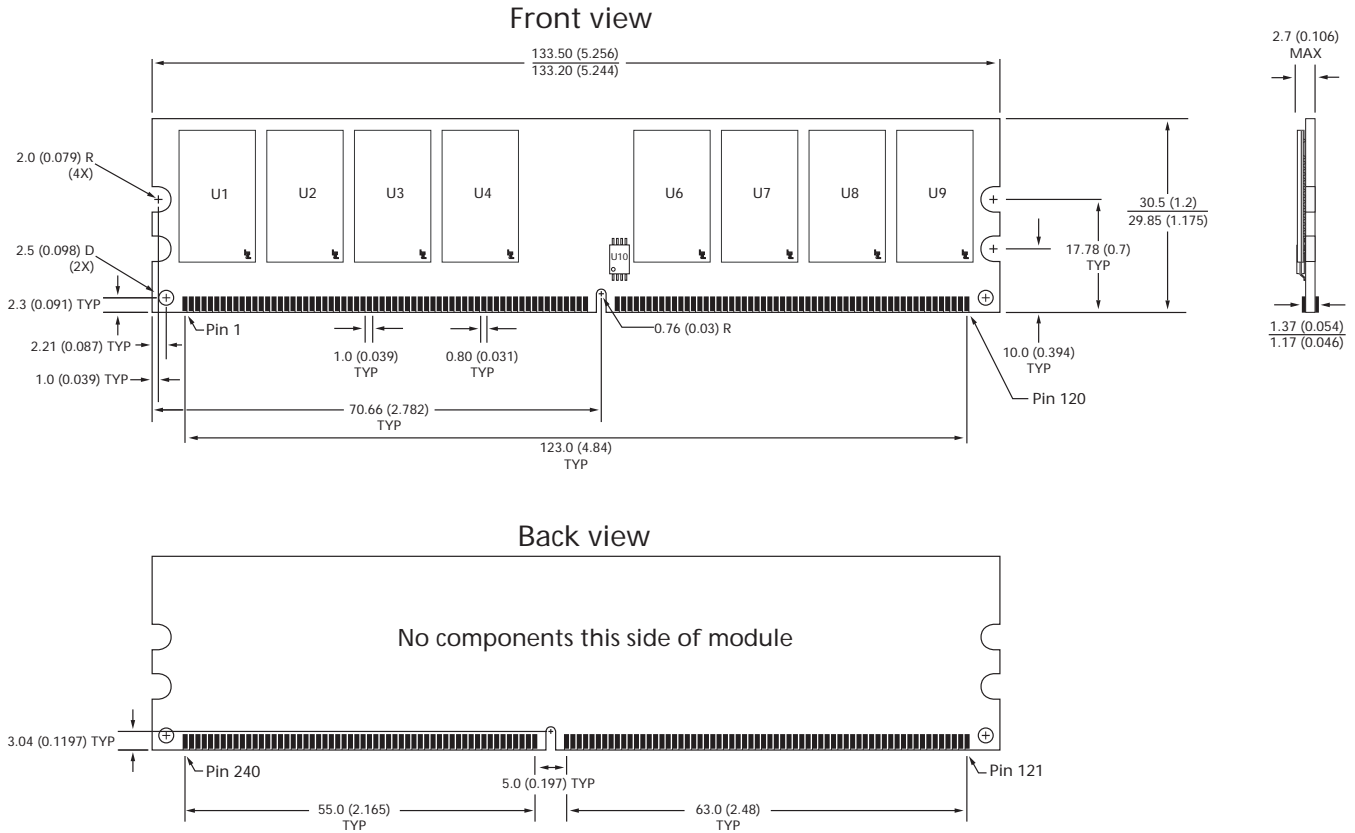
- Notes:
1. To avoid spurious start and stop conditions, a minimum delay is placed between SCL = 1 and the falling or rising edge of SDA.
  2. This parameter is sampled.
  3. For a restart condition or following a WRITE cycle.
  4. The SPD EEPROM WRITE cycle time (t<sub>WRC</sub>) is the time from a valid stop condition of a write sequence to the end of the EEPROM internal ERASE/PROGRAM cycle. During the WRITE cycle, the EEPROM bus interface circuit is disabled, SDA remains HIGH due to the pull-up resistance, and the EEPROM does not respond to its slave address.

## Serial Presence-Detect Data

For the latest serial presence-detect data, refer to Micron's SPD page: [www.micron.com/SPD](http://www.micron.com/SPD).

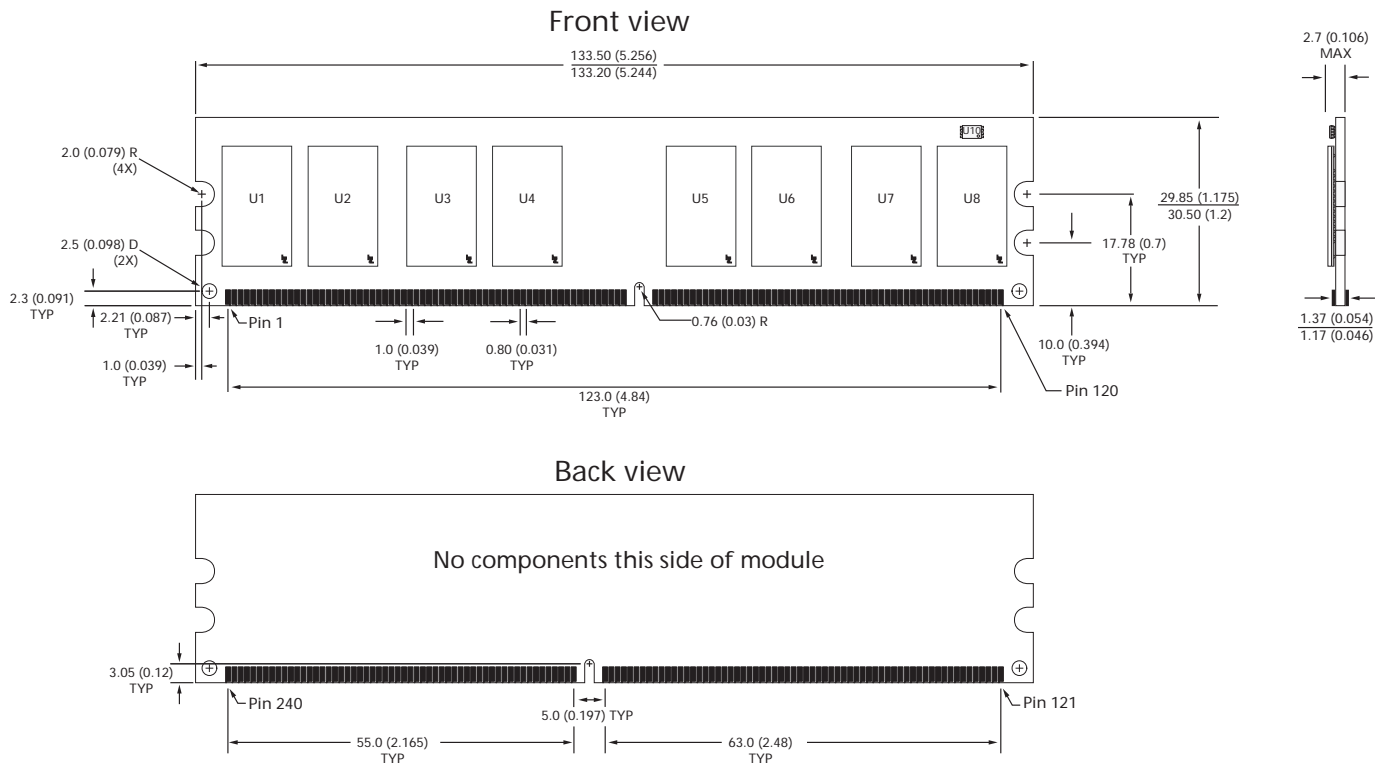
## Module Dimensions

Figure 4: 240-Pin DDR2 UDIMM, Type 1



- Notes:
1. All dimensions are in millimeters (inches); MAX/MIN or typical (TYP) where noted.
  2. The dimensional diagram is for reference only. Refer to the JEDEC MO document for complete design dimensions.

Figure 5: 240-Pin DDR2 UDIMM, Type 2



- Notes:
1. All dimensions are in millimeters (inches); MAX/MIN or typical (TYP) where noted.
  2. The dimensional diagram is for reference only. Refer to the JEDEC MO document for complete design dimensions.



8000 S. Federal Way, P.O. Box 6, Boise, ID 83707-0006, Tel: 208-368-3900

prodmktg@micron.com www.micron.com Customer Comment Line: 800-932-4992

Micron, the M logo, and the Micron logo are trademarks of Micron Technology, Inc. All other trademarks are the property of their respective owners.

This data sheet contains minimum and maximum limits specified over the power supply and temperature range set forth herein. Although considered final, these specifications are subject to change, as further product development and data characterization sometimes occur.