

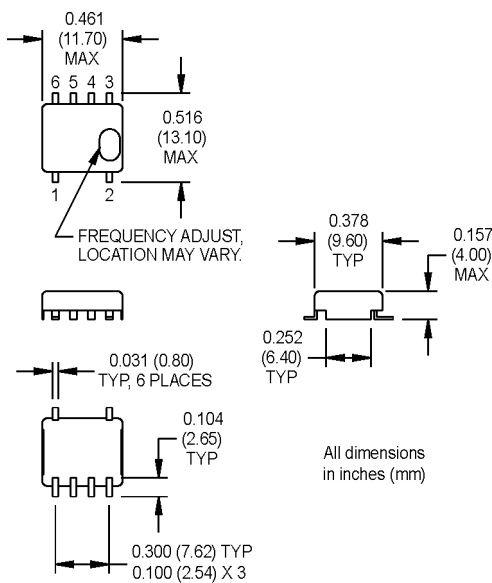
MTCO11/21 Series

13.1 x 11.7 mm, 3.0 or 5.0 Volt, Clipped Sinewave, TCXO



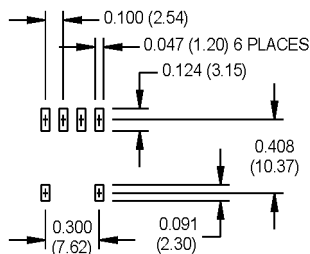
Small size, high precision TCXO available in standard frequencies for telecommunications and other RF applications requiring clipped sinewave output with low power consumption. Operating voltage of 3 V or 5 V available.

MODEL NO.	SPECIFICATIONS
MTCO-11A5	-15°C to +55°C, ±2.5 ppm, V _{cc} = 5.0 V ±5%
MTCO-11A3	-15°C to +55°C, ±2.5 ppm, V _{cc} = 3.0 V ±5%
MTCO-21A5	-30°C to +75°C, ±2.5 ppm, V _{cc} = 5.0 V ±5%
MTCO-21A3	-30°C to +75°C, ±2.5 ppm, V _{cc} = 3.0 V ±5%



All dimensions in inches (mm)

SUGGESTED SOLDER PAD LAYOUT



Electrical Specifications

PARAMETERS	VALUE	
Frequency Range	12.800 to 20.000 MHz	
Stability	±2.5 ppm	
Stability with ±5% V _{cc} Change	±0.5 ppm	
Aging	±1 ppm/yr. Max.	
Operating Temperature	-15°C to +55°C or -30°C to +75°C	
Storage Temperature	-40°C to +85°C	
Supply Voltage	5.0 V ±5%	3.0 V ±5%
Supply Current	3 mA Max.	
Output (Clipped Sinewave)*	1.0 V p-p Min.	0.7 V p-p Min.
Frequency Adjustment (Int. Trimmer)	±3 ppm Min.	

- Load of 10K Ω in parallel with 10 pF.
- See load circuit diagram #7.

Pin Connections

PIN	FUNCTION
1	Ground
2	Ground
3	Output
4	Ground
5	N/C
6	+V _{cc}

MtronPTI reserves the right to make changes to the product(s) and service(s) described herein without notice. No liability is assumed as a result of their use or application.

Please see www.mtronpti.com for our complete offering and detailed datasheets. Contact us for your application specific requirements: MtronPTI 1-800-762-8800.