

# Thermal Print Heads

## Printer with Card Reader/Writer installed

### BHC6224HE

#### FEATURES

- Slim series with a light and compact end-face head
- High-speed type with three-stage LATCH heat history control [HS type]
- Straight path
- New-BP protective layer with excellent abrasion resistance is used.

#### APPLICATIONS

- Printers with a card reader/writer installed
- Rewrite printers
- Other thermal printers which require a straight path

#### PRODUCT SPECIFICATIONS

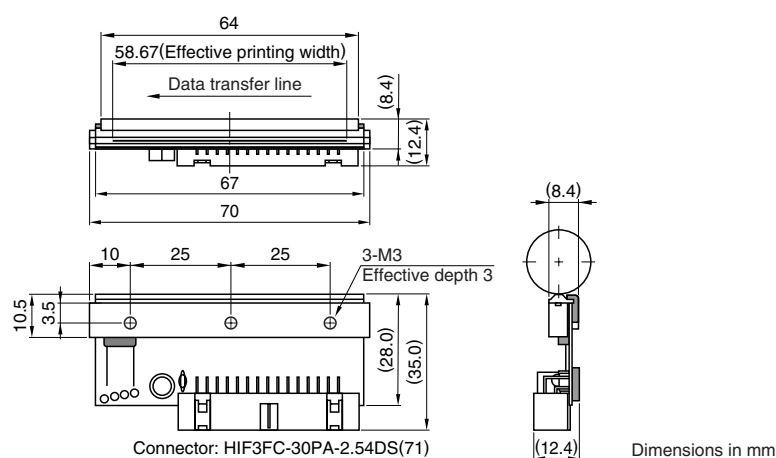
##### HEATING ELEMENT SPECIFICATIONS

Number of heating elements	(dots)	704
Dot density	(dots/mm) (DPI)	12 305
Length of heating element array (effective)	(mm)	58.67
Heating element average resistance		1500

##### DRIVE CONDITIONS

Applied platen diameter	(mm)	ø20max.
Paper-feed speed	(mm/sec)	200max.
Data transfer frequency	(MHz)	8max.
Driver power supply	(V)	4.5 to 5.5

#### SHAPES AND DIMENSIONS



• All specifications are subject to change without notice.