

# Thermal Print Heads

## For Cards and Hard Media

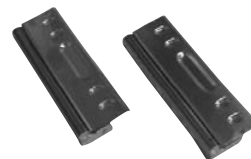
### BHC5212SS

#### FEATURES

- Straight path
- Normal type with no heat history control type [SS type]
- New-BP protective layer with excellent abrasion resistance is used.

#### APPLICATIONS

- Card printers
- Printers for hard media



#### PRODUCT SPECIFICATIONS

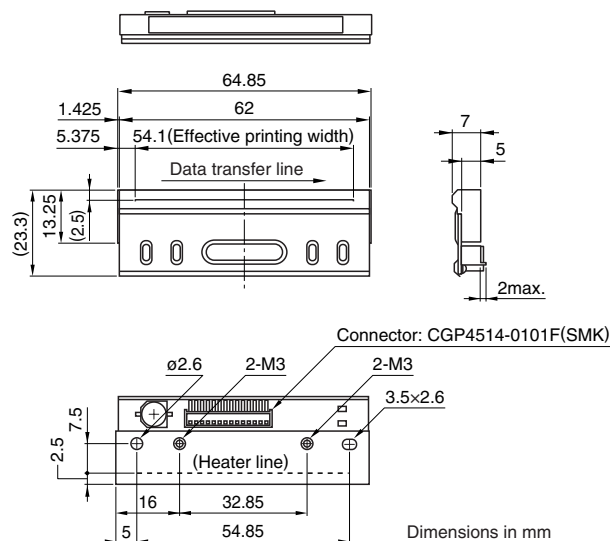
##### HEATING ELEMENT SPECIFICATIONS

Number of heating elements	(dots)	640
Dot density	(dots/mm)	11.8
	(DPI)	300
Length of heating element array (effective)	(mm)	54
Heating element average resistance	( $\Omega$ )	1280

##### DRIVE CONDITIONS

Applied platen diameter	(mm)	Option
Data transfer frequency	(MHz)	10max.
Driver power supply	(V)	4.5 to 5.5

#### SHAPES AND DIMENSIONS



• All specifications are subject to change without notice.