

# Thermal Print Heads

## For Cards and Hard Media

### BHC4215SS

#### FEATURES

- Straight path
- No heat history control type [SS type]
- New-BP protective layer with excellent abrasion resistance is used.

#### APPLICATIONS

- Card printers
- Printers for hard media

#### PRODUCT SPECIFICATIONS

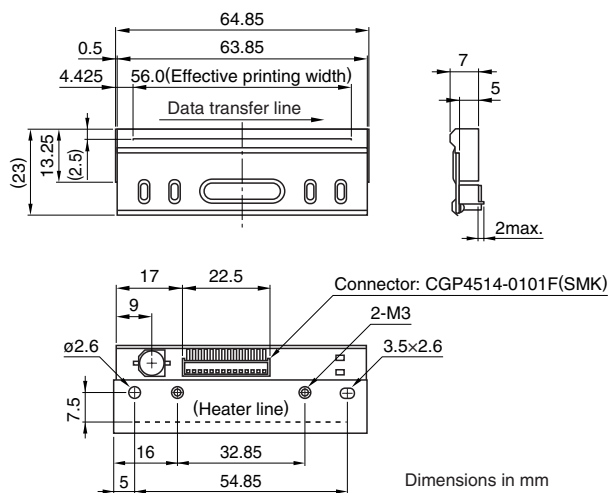
##### HEATING ELEMENT SPECIFICATIONS

Number of heating elements	(dots)	448
Dot density	(dots/mm)	8
	(DPI)	203
Length of heating element array (effective)	(mm)	56
Heating element average resistance	( $\Omega$ )	970

##### DRIVE CONDITIONS

Applied platen diameter	(mm)	Option
Data transfer frequency	(MHz)	5max.
Driver power supply	(V)	4.5 to 5.5

#### SHAPES AND DIMENSIONS



• All specifications are subject to change without notice.