

Thermal Print Heads

For Cards and Hard Media

BHC4236SS

FEATURES

- Straight path
- Normal type with no heat history control type [SS type]
- New-BP protective layer with excellent abrasion resistance is used.

APPLICATIONS

- Card printers
- Printers for hard media



PRODUCT SPECIFICATIONS

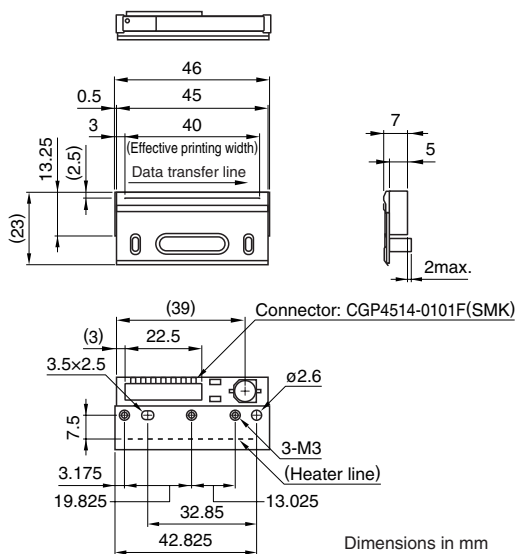
HEATING ELEMENT SPECIFICATIONS

Number of heating elements	(dots)	320
Dot density	(dots/mm)	8
	(DPI)	203
Length of heating element array (effective)	(mm)	40
Heating element average resistance	(Ω)	800

DRIVE CONDITIONS

Applied platen diameter	(mm)	Option
Data transfer frequency	(MHz)	4.5max.
Driver power supply	(V)	4.75 to 5.25

SHAPES AND DIMENSIONS



• All specifications are subject to change without notice.