

MULTILAYER CHIP BALANCE-EMI FILTER

AMBF22



RoHS
Compliant



2.5 x 2.0 x 1.2mm

FEATURES:

- Phase difference 180 ± 10 degrees
- Amplitude difference 1 dB max
- Can simplify the complex tuning and circuit design
- Low insertion loss and high attenuation as well as small size SMD chip design

APPLICATIONS:

- W-LAN
- Bluetooth
- Wireless Communications

STANDARD SPECIFICATIONS:

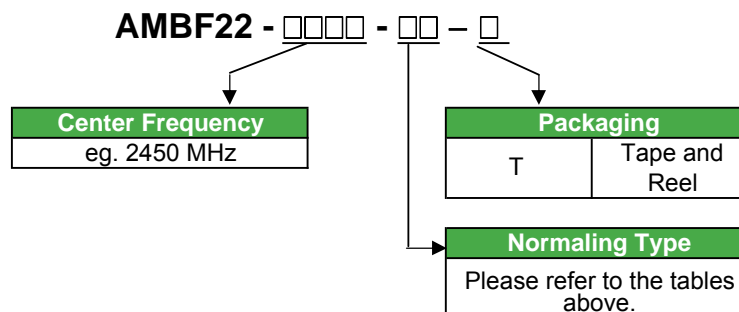
PARAMETERS

| | |
|------------------------|------------------|
| ABRACON P/N: | AMBF22 Series |
| Operating temperature: | -25°C to + 85°C |
| Storage temperature: | -55°C to + 125°C |

| Part No. | AMBF22-2450-01 | AMBF22-2450-06 |
|-----------------------------------|------------------------|------------------------|
| Unbalance Port Impedance | 50Ω | 50Ω |
| Balance Port Impedance | 100Ω (50Ω+50Ω) | 36+j73 Ω |
| Center Frequency | 2450.0 MHz | 2450.0 MHz |
| Insertion Loss | ≤3.0dB (at 25°C±5°C) | ≤3.0dB (at 25°C±5°C) |
| | ≤3.3dB (at -40°C~85°C) | ≤3.5dB (at -40°C~85°C) |
| Band Width | 2400~2500 MHz | 2400~2500 MHz |
| V.S.W.R at Unbalance Port (in BW) | ≤2.0 (2400~2500 MHz) | ≤2.0 (2400~2500 MHz) |
| Attenuation | ≥48 (880~960 MHz) | ≥48 (880~960 MHz) |
| | ≥40 (1880~1990 MHz) | ≥40 (1880~1990 MHz) |
| | ≥25 (2110~2170 MHz) | ≥25 (2110~2170 MHz) |
| | ≥30 (4800~5000 MHz) | ≥30 (4800~5000 MHz) |
| Phase difference | 180±5 Deg. | 180±5 Deg. |

OPTIONS AND PART IDENTIFICATION:

(Left blank if standard)



MULTILAYER CHIP BALANCE-EMI FILTER

AMBF22

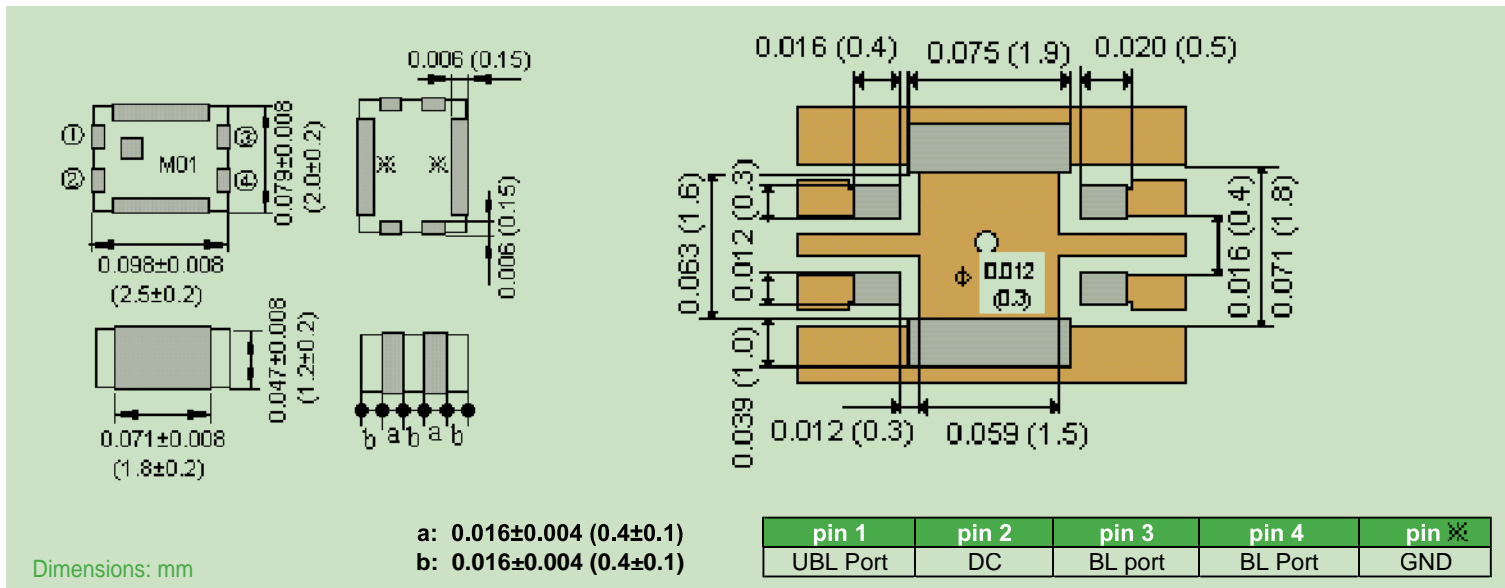


RoHS
Compliant



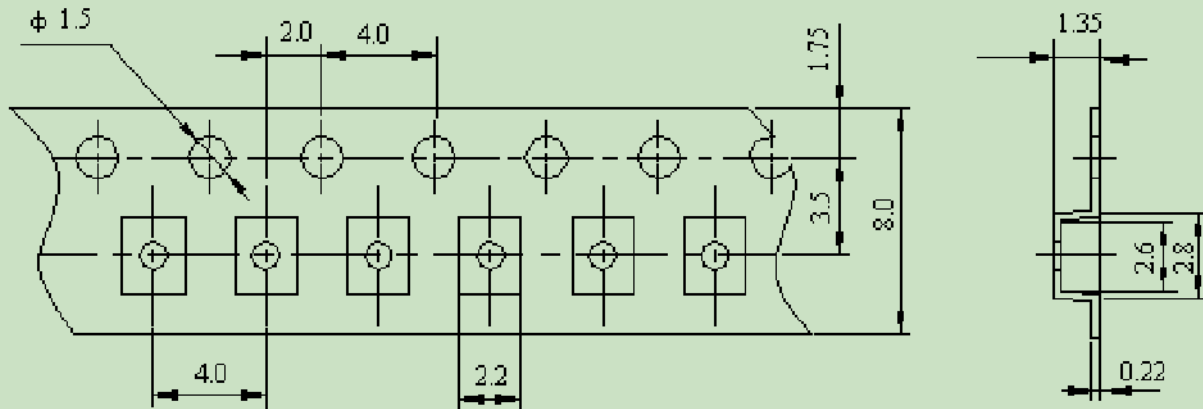
2.5 x 2.0 x 1.2mm

OUTLINE DRAWING:

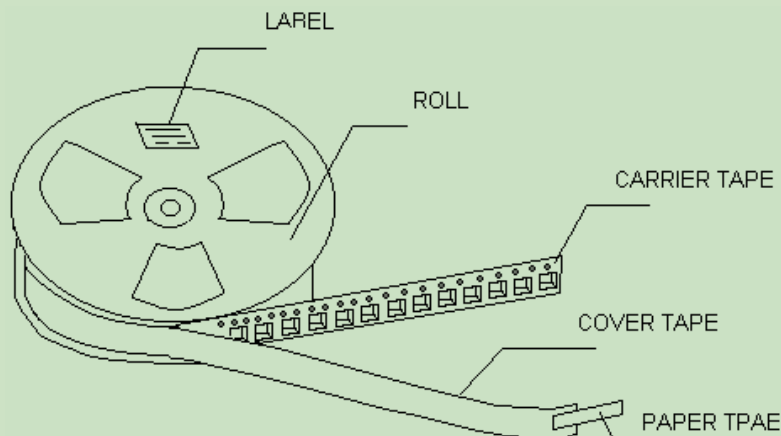


TAPE & REEL: Tape and reel 2,500pcs/reel

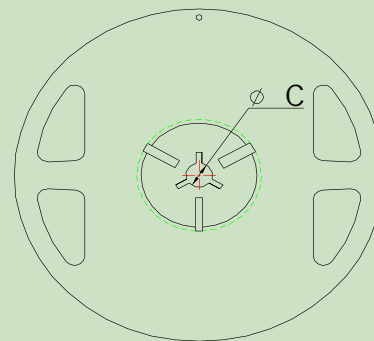
Dimensions of Tape



Taping figure and drawing direction



Dimensions of Reel



| | mm |
|---|-----------|
| A | 178±2 |
| B | 60±2 |
| C | 13.0±0.5 |
| W | 10.0±1.15 |
| T | 12.0±1.0 |

Dimensions: mm

ABRACON IS
ISO 9001 / QS 9000
CERTIFIED



ABRACON
CORPORATION

Visit www.abracon.com for Terms & Conditions of Sale **Revised: 08.24.07**
30332 Esperanza, Rancho Santa Margarita, California 92688
tel 949-546-8000 | fax 949-546-8001 | www.abracon.com