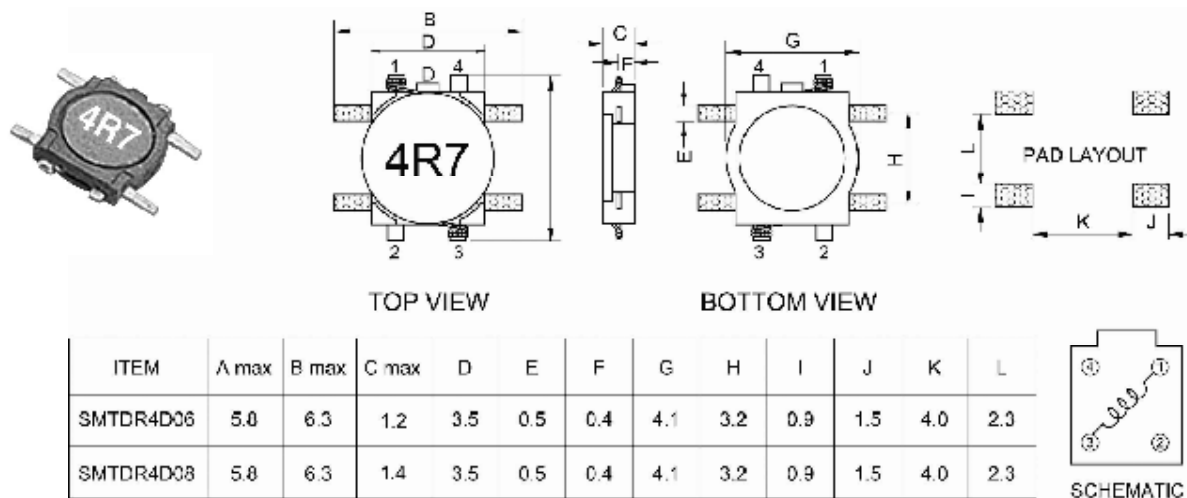


Shape and size : (Dimensions are in mm)

Features :

- Low profile, low DCR.
- Unshielded SMD power inductor
- Small size with the electrode attached to the base directly.
- Available on tape and reel for auto surface mounting.

Ordering information :

SMT DR4D06 - 4R7 M

- (1) (2) (3) (4)
- (1) Type : **Surface Mounting Type.**
- (2) Style : **DR Core with base size.**
- (3) Inductance : **4R7 for 4.7 uH.**
- (4) Inductance tolerance :
- "N": ±30% "M": ±20%;

Inductance and rated current ranges :

- SMTDR4D06 2.2~47uH 0.95~0.18A
- SMTDR4D08 2.2~100uH 0.85~0.17A

Characteristics :

- Rated DC Current: It is either the inductance is 10% lower than its initial value in D.C. saturation characteristics or temperature raise becomes $\Delta T=40^{\circ}\text{C}$ ($T_a=20^{\circ}\text{C}$), whichever is lower.
- Operating temperature: -20°C to 80°C

Test equipment :

- L : Agilent 4284A LCR meter @100KHz ,100mV
- DCR : Milli-ohm meter.
- Electrical specifications at 25°C .

Applications :

- Chopper circuit.
- DC-DC Converters
- Choke coil
- Other various electronic appliances.

Part No.	L (uH)	DC Resistance (OHM)Max.		Rated DC Current (Amp)Max.	
		4D06	4D08	4D06	4D08
2R2M	2.2	0.116		0.95	
3R3M	3.3	0.174	0.160	0.77	0.85
4R7M	4.7	0.216	0.194	0.75	0.80
6R8M	6.8	0.296	0.276	0.62	0.65
100M	10.0	0.457	0.335	0.50	0.57
120M	12.0				
150M	15.0	0.676	0.508	0.40	0.45
180M	18.0				
220M	22.0	1.066	0.766	0.30	0.37
270M	27.0				
330M	33.0	1.647	1.162	0.24	0.28
390M	39.0				
470M	47.0	2.843	1.658	0.18	0.22
560M	56.0				
680M	68.0		2.534		0.18
820M	82.0				
101M	100.0		3.304		0.17

• **Note:**

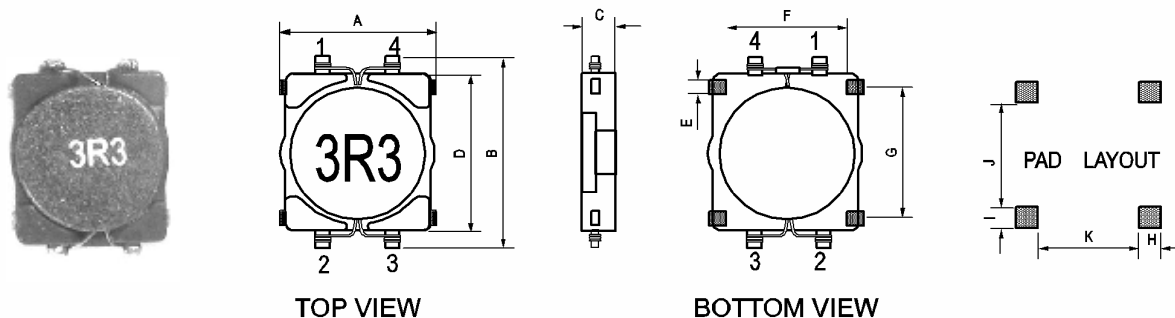
• **Measuring Frequency :**

100KHZ , 0.1V

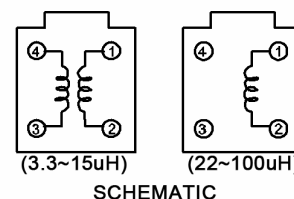
• **Tolerance of Inductance :**

SMTDR4D06 ; ±20% (M)

SMTDR4D08 ; ±20% (M)

Shape and size : (Dimensions are in mm)


P/N	A max	B max	C max	D	E	F	G	H	I	J	K
SMTDR5D11	5.8	7.4	1.2	6.0	0.6	4.2	4.5	1.4	1.1	3.4	3.6
SMTDR5D13	5.8	7.4	1.5	6.0	0.6	4.2	4.5	1.4	1.1	3.4	3.6


Features :

- Low profile, low DCR.
- Unshielded SMD power inductor
- Small size with the electrode attached to the base directly.
- Available on tape and reel for auto surface mounting.

Ordering information :

SMT DR5D11 - 3R3 M

(1) (2) (3) (4)

(1) Type : **Surface Mounting Type.**

(2) Style : **DR Core with base size.**

(3) Inductance : **3R3 for 3.3 uH.**

(4) Inductance tolerance :

"N":±30% "M": ±20%;

Inductance and rated current ranges :

· SMTDR5D11	2.2~100uH	0.94~0.20A
· SMTDR5D13	3.3~47uH	1.25~0.35A

Characteristics :

- Rated DC Current: It is either the inductance is 10% lower than its initial value in D.C. saturation characteristics or temperature raise becomes $\Delta T=40^{\circ}\text{C}$ ($T_a=20^{\circ}\text{C}$), whichever is lower.

- Operating temperature:-40°C to 85°C

- Test equipment :

L : Agilent 4284A LCR meter @100KHz ,100mV

DCR : Milli-ohm meter.

- Electrical specifications at 25°C .

Applications :

- Chopper circuit.
- DC-DC Converters
- Choke coil
- Other various electronic appliances.

Part No.	L (uH)	DC Resistance (OHM)Max.		Rated DC Current (Amp)Max.	
		5D11	5D13	5D11	5D13
3R3M	3.3	0.109	0.081	0.94	1.25
4R7M	4.7	0.156	0.106	0.80	1.20
6R8M	6.8	0.216	0.144	0.65	0.90
100M	10.0	0.275	0.187	0.53	0.85
150M	15.0	0.438	0.300	0.40	0.57
220M	22.0	0.663	0.431	0.36	0.54
330M	33.0	0.975	0.637	0.32	0.38
470M	47.0	1.380	0.875	0.26	0.35
680M	68.0	1.700		0.23	
101M	100.0	2.800		0.20	

• **Note:**

• **Measuring Frequency :**

100KHZ , 0.1V

• **Tolerance of Inductance :**

SMTDR5D11 ; ±20% (M)

SMTDR5D13 ; ±20% (M)