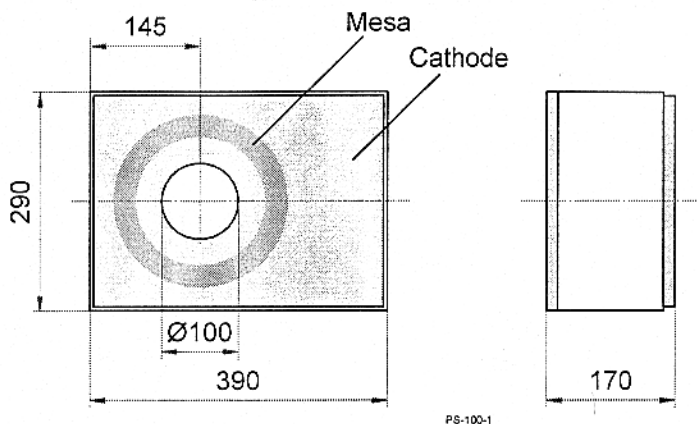


## Preliminary data

Color	Type	Technology	Electrodes
Red	ELC-645-29-4	AllnGaP/GaAs	N (cathode) up

## Outline (dimensions in microns)



## Maximum Ratings

$T_{\text{amb}} = 25^{\circ}\text{C}$ , unless otherwise specified

Parameter	Test conditions	Symbol	Value	Unit
Forward current (DC)		$I_F$	50	mA
Peak forward current	( $t_p \leq 50 \mu\text{s}$ , $t_p/T=1/2$ )	$I_{FM}$	100	mA

## Optical and Electrical Characteristics

$T_{\text{amb}} = 25^{\circ}\text{C}$ , unless otherwise specified

Parameter	Test conditions	Symbol	Min	Typ	Max	Unit
Forward voltage	$I_F = 50 \text{ mA}$	$V_F$		2.75		V
Reverse voltage	$I_R = 100 \mu\text{A}$	$V_R$	4			V
Radiant power	$I_F = 50 \text{ mA}$	$\Phi_e$		0.75		mW
Luminous flux	$I_F = 50 \text{ mA}$	$\Phi_v$		75		mlm
Luminous intensity	$I_F = 50 \text{ mA}$	$I_v$		26		mcd
Peak wavelength	$I_F = 50 \text{ mA}$	$\lambda_p$		645		nm
Spectral bandwidth at 50%	$I_F = 50 \text{ mA}$	$\Delta\lambda_{0.5}$		26		nm

## Labeling

Type	Lot N°	$\Phi_e$ (typ, min, max)	Quantity
ELC-645-29-4			

## Packing

Chips on adhesive film with wire-bond side on top