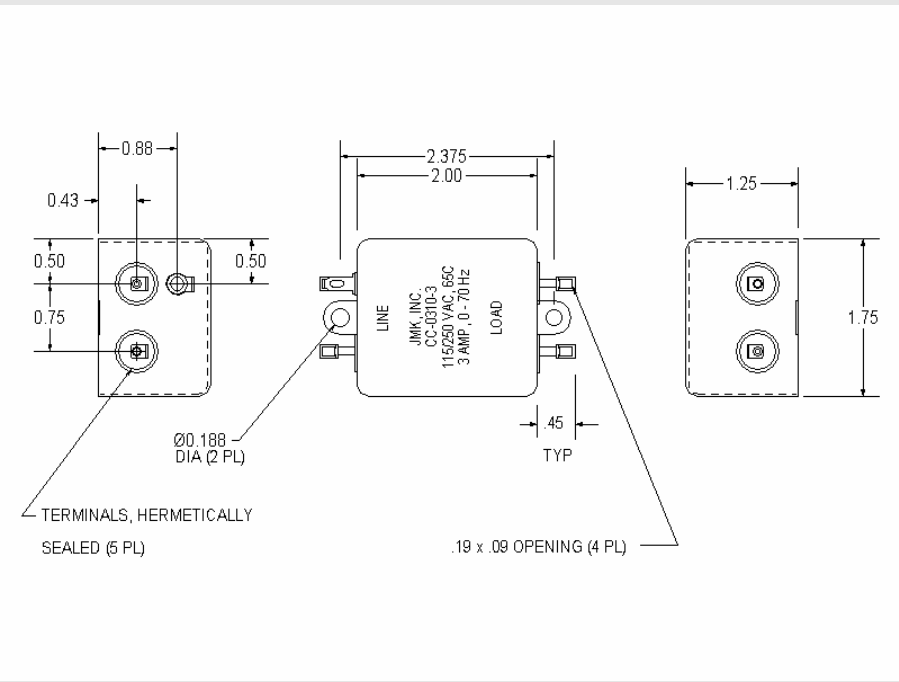
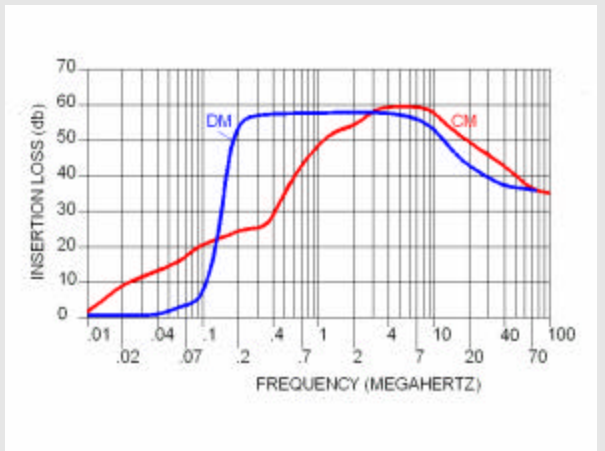
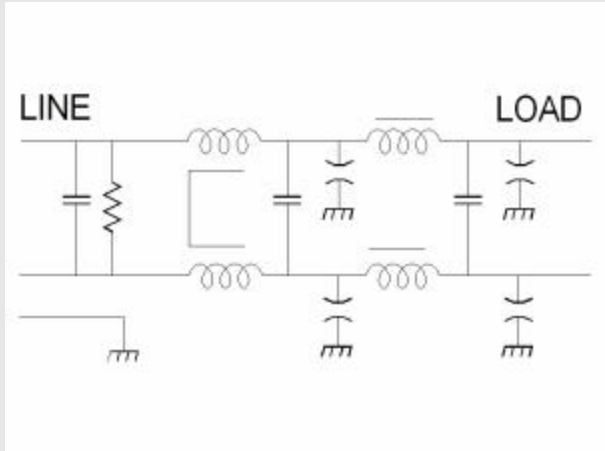


Operating Voltage = 115/250 V~
 Operating Current = 3 Amps
 MTBF = 228,580 hours GB
 Operating Frequency = 50 / 60 Hz
 Temperature Range = -40 TO 65 Deg. C
 Diel. Withstand (L-CASE) = 1500 V~ FOR 1 MIN.
 Diel. Withstand (L-L) = 1500 Vdc For 1 Min.
 Leakage Current = 1.0 ma @ 250 V~, 60 Hz
 Discharge Volt after 1.0 second = 34 V Max.

Order P/N: CC-0310-3

The CC-0310-3 filter has a wide operating temperature range and is designed to sustain severe shock and vibration environments. The filter will function well with switching power supplies where a considerable amount of common mode and differential mode electrical noise is present. The configuration of this filter will perform well in Mil-Std-461E test conditions.



USA JMK Inc 15 Caldwell Dr. Amherst, NH 03031 PH: 603 886-4100 FX: 603 886-4115
 email: info@jmkfilters.com
 EUR JMK Inc Glasgow G13 1DN Scotland UK PH: 44-07785310729 FX: 44-(0) 141-589-1884