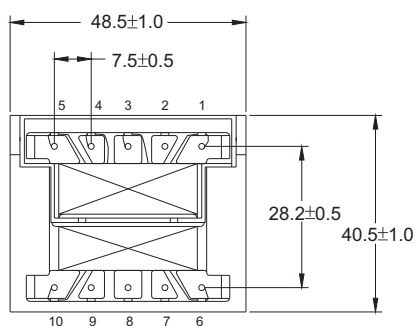
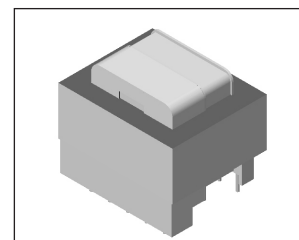
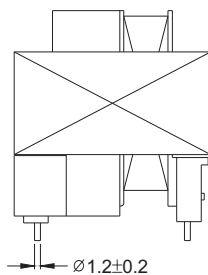
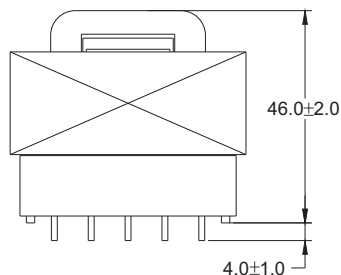


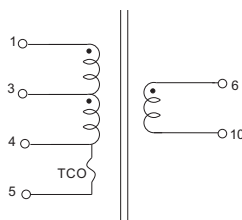
# Si-Steel Transformers

## EI Series (Pin Mount)

Mechanical Dimension : Unit : mm



Schematic:



Used on :

- Air conditioner
- Refrigerator & freezer
- Heat Pump
- Washer
- Dishwasher
- Auto Industrial control
- For UPS

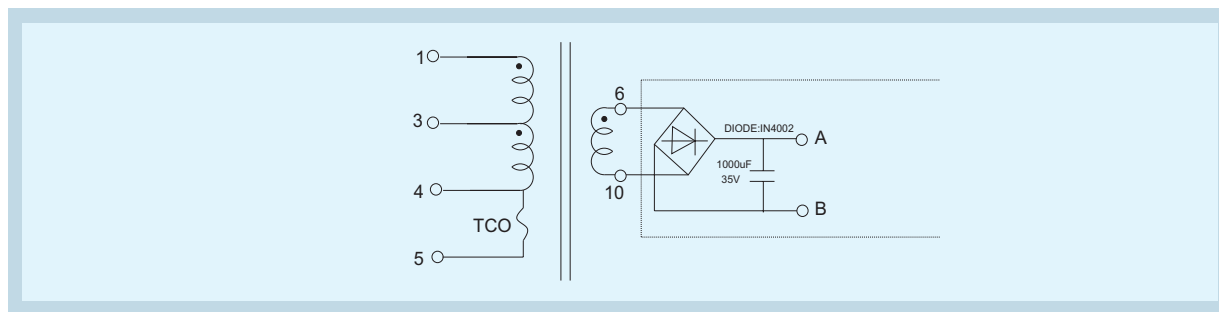
★ Only one input in use at one time

### Electrical Characteristics :

■ Ambient Temperature at 25°C

PART NO.	INPUT VOLTAGE(Vac)		OUTPUT VOLTAGE(Vac)				DCR(Ω) Max.			POWER(W)	EXCITING CURRENT (mA)Max.		TEMPERATURE RISE(°C) Max.
	1-5	3-5	Load(A-B)		No load(A-B)		1-5	3-5	6-10		1-5	3-5	
SEP4823H	220@50Hz	110@50Hz	24.0@0.5A	24.0@0.5A	33.0	34.0	230	75	2.8	11.5	50	130	60

### Recommended Circuit :



DELTA ELECTRONICS, INC.

(TAOYUAN PLANT CPBG) 252, SAN YING ROAD, KUEISAN INDUSTRIAL ZONE, TAOYUAN SHIEN, 333, TAIWAN, R.O.C.

TEL: 886-3-3591968; FAX: 886-3-3591991

http://www.deltaww.com