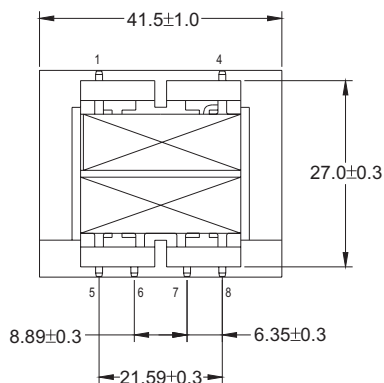
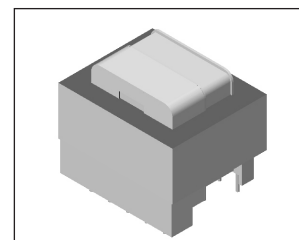
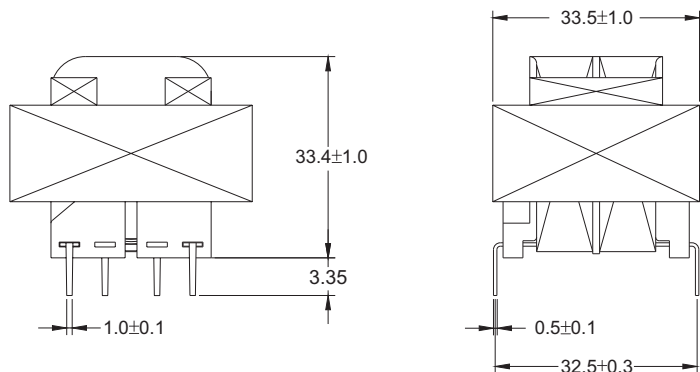


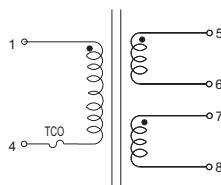
Si-Steel Transformers

EI Series (Pin Mount)

Mechanical Dimension : Unit : mm



Schematic:



Used on :

- Air conditioner
- Refrigerator & freezer
- Heat Pump
- Washer
- Dishwasher
- Auto Industrial control
- For UPS

Electrical Characteristics :

■ Ambient Temperature at 25°C

PART NO.	INPUT VOLTAGE(Vac)	OUTPUT VOLTAGE(Vac)				DCR(Ω) Max.			POWER(W)	EXCITING CURRENT (mA)Max.	TEMPERATURE RISE(°C) Max.
		Load		No load		1-4	5-6	7-8			
	1-4	5-6	7-8	5-6	7-8	1-4	5-6	7-8			
SEP4116H	120,60Hz	13.0@0.25A	13.0@0.25A	15.3	15.3	150	4.5	5.5	7.0	126	30



DELTA ELECTRONICS, INC.

(TAOYUAN PLANT CPBG) 252, SAN YING ROAD, KUEISAN INDUSTRIAL ZONE, TAOYUAN SHIEN, 333, TAIWAN, R.O.C.

TEL: 886-3-3591968; FAX: 886-3-3591991

<http://www.deltaww.com>