



POSEICO SPA

Power SEmiconductors Italian COrporation

POSEICO SPA
 Via N. Lorenzi 8, 16152 Genova - ITALY
 Tel. +39 010 6556234 - Fax +39 010 6557519
 Sales Office:
 Tel. +39 010 6556775 - Fax +39 010 6442510

RECTIFIER DIODES MODULE

ADD500HVI

- *Full ermetic packaging
- *Industrial compatible packaging
- *Insulation using Aln substrate
- *Contact screws available on request

Repetitive voltage up to **3300 V**
 Mean on-state current **500 A**
 Surge current **10.3 kA**

TARGET SPECIFICATION

mag 03 - ISSUE : 1

Symbol	Characteristic	Conditions	T _j [°C]	Value	Unit
BLOCKING					
V _{RRM}	Repetitive peak reverse voltage		150	3300	V
V _{RSM}	Non-repetitive peak reverse voltage		150	3400	V
I _{RRM}	Repetitive peak reverse current		150	50	mA
CONDUCTING					
I _{F(AV)}	Mean on-state current	180° sin, 50Hz, T _c =85°C		500	A
I _{F(AV)}	Mean on-state current	180° sin. 50Hz, T _c =55°C		650	A
I _{FSM}	Surge on-state current	sine wave, 10 ms	150	10,3	kA
I ² t	I ² t	without reverse voltage		530 x1E3	A ² s
V _F	On-state voltage	On-state current = 1600 A	150	1,97	V
V _{F(TO)}	Threshold voltage		150	0,89	V
r _F	On-state slope resistance		150	0,675	mohm
MOUNTING					
R _{th(j-c)}	Thermal impedance	Junction to case, per element		70	°C/kW
R _{th(c-h)}	Thermal impedance	Case to heatsink, per element		20	°C/kW
T _j	Operating junction temperature			-30 / 150	°C
V _{ins}	RMS insulation voltage	50Hz, circuit to base,all terminal shorted	25	6000	V
T	Mounting torque	Case to heatsink		4 to 6	Nm
		Busbars to terminals		12 to 18	Nm
	Mass			1500	g

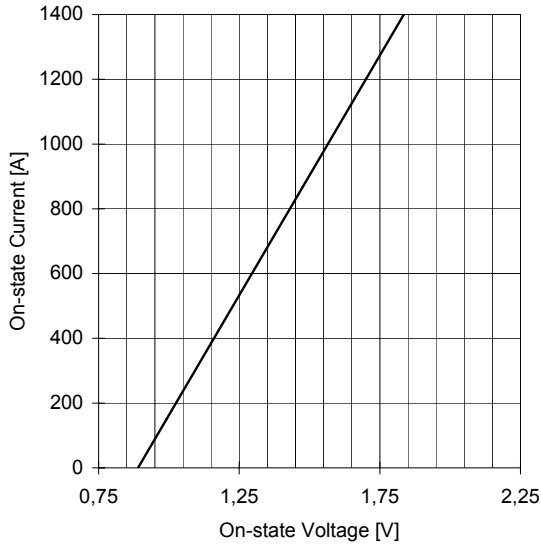
ORDERING INFORMATION : ADD500HVI S 33
 standard specification ———┐ VRRM/100

ADD500HVI RECTIFIER DIODES MODULE

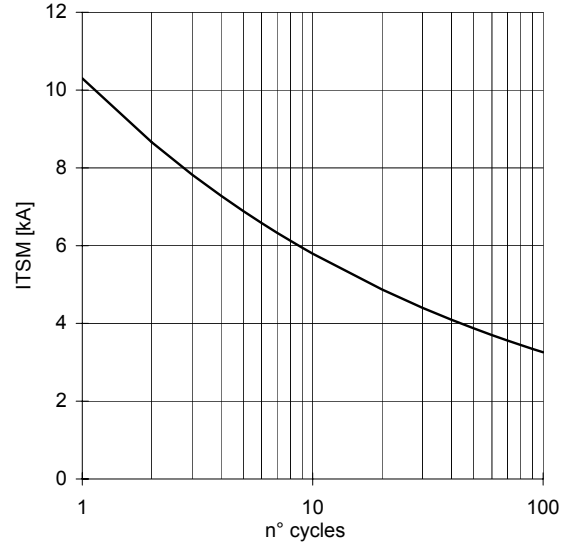


TARGET SPECIFICATION mag 03 - ISSUE : 1

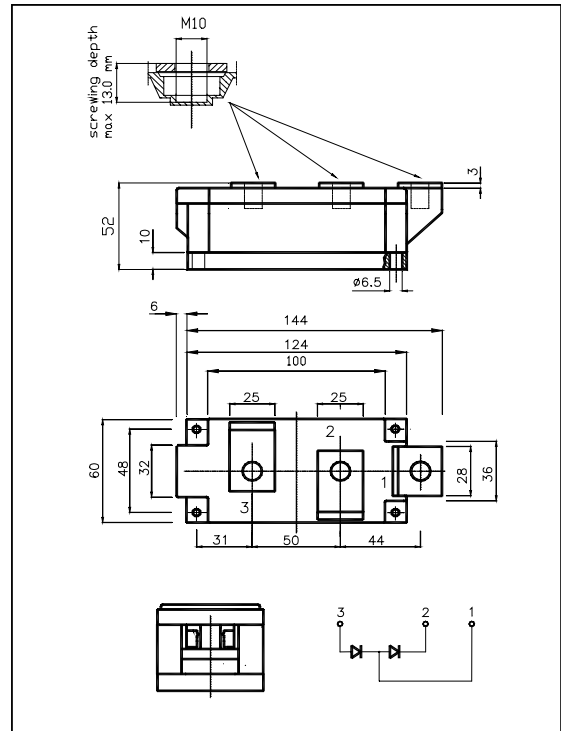
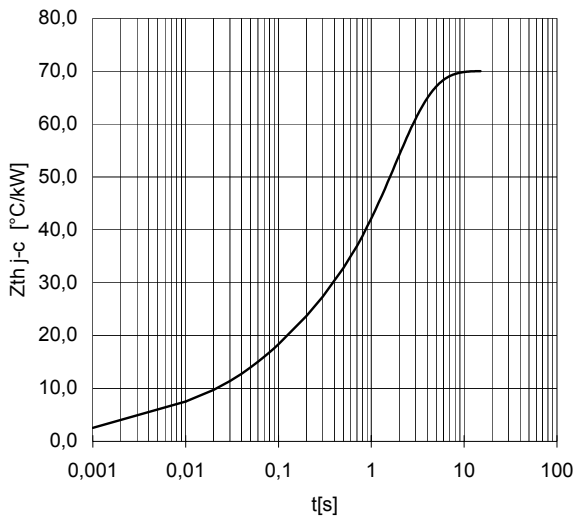
ON-STATE CHARACTERISTIC
T_j = 150 °C



SURGE CHARACTERISTIC
T_j = 150 °C



TRANSIENT THERMAL IMPEDANCE



All the characteristics given in this data sheet are guaranteed only with uniform clamping force, cleaned and lubricated heatsink, surfaces with flatness < .03 mm and roughness < 2 μm.
In the interest of product improvement POSEICO SPA reserves the right to change any data given in this data sheet at any time without previous notice.
If not stated otherwise the maximum value of ratings (symbols over shaded background) and characteristics is reported.

Distributed by

