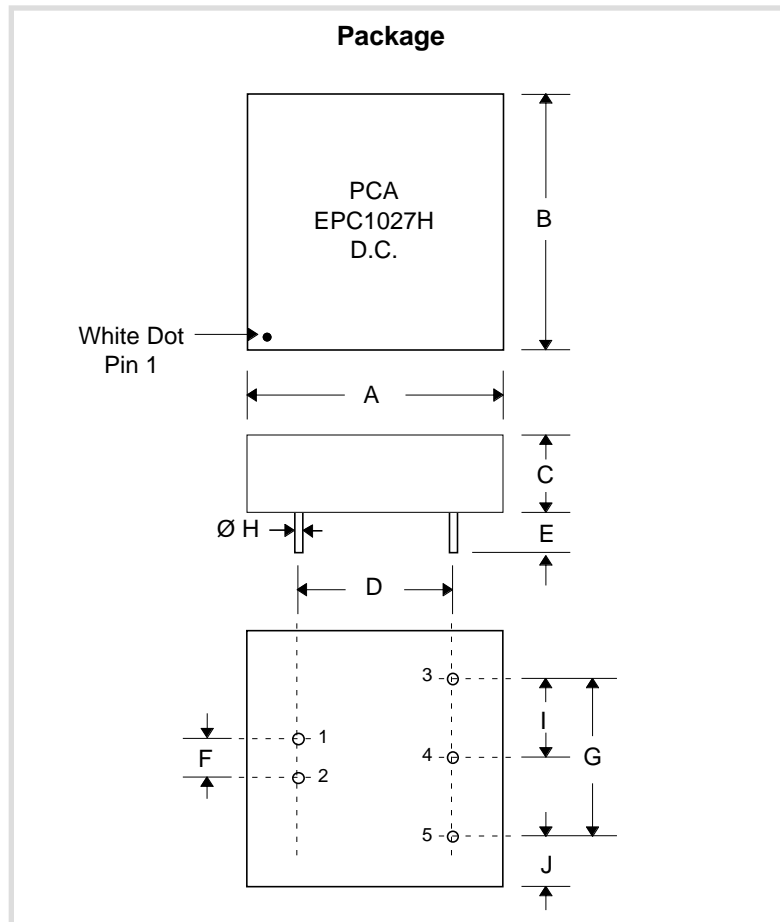


- Designed for Low Common Mode Noise
  - Fuse Protected
  - 70% Efficiency at Full Load
  - Input Filter to Reduce Input Ripple Current (Less than 10 mA pk-pk Typ.)
  - Input/Output Isolation : 2000 Vrms
  - Pulse Width Modulator Circuit
- (For high efficiency and excellent line & load regulation)

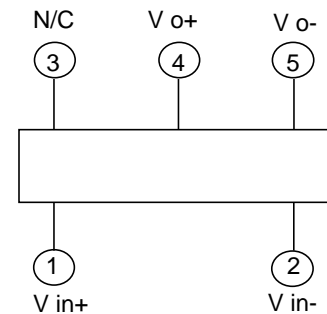
### Electrical Specifications

Parameters	Min.	Typ.	Max.	Units
Input Voltage (for specified output)	10.8	12.0	13.2	Volts
Output Voltage	-8.1	-9.0	-9.9	Volts
Output Current	---	---	200	mA
Output Ripple & Noise @ 20 MHz BW	---	---	100	mV p-p
Input Ripple Current	---	---	10	---

### Package



### Pin Connections



### Dimensions

Dim.	(Inches)			(millimeters)		
	Min.	Max.	Nom.	Min.	Max.	Nom.
A	1.280	1.300	1.290	32.51	33.02	32.77
B	1.280	1.300	1.290	32.51	33.02	32.77
C	---	.400	---	---	10.16	---
D	---	---	.800	---	---	20.32
E	---	---	.200	---	---	5.08
F	---	---	.200	---	---	5.08
G	---	---	.800	---	---	20.32
H	---	---	.025	---	---	.635
I	---	---	.400	---	---	10.16
J	---	---	.250	---	---	6.35