

**1490 nm DFB LASER DIODE MODULES**  
**UNCOOLED MQW DFB LD WITH RECEPTACLE**

**DL-5500-1490 Series**

**FEATURES**

- 2 1490 nm Uncooled Laser Diode with MQW Structure
- 2 High Reliability, Long Operation Life
- 2 Single Frequency Operation with High SMSR
- 2 0 to 70°C operation without active cooling
- 2 Build-in InGaAs monitor

**APPLICATION**

Trunk Line, FitL

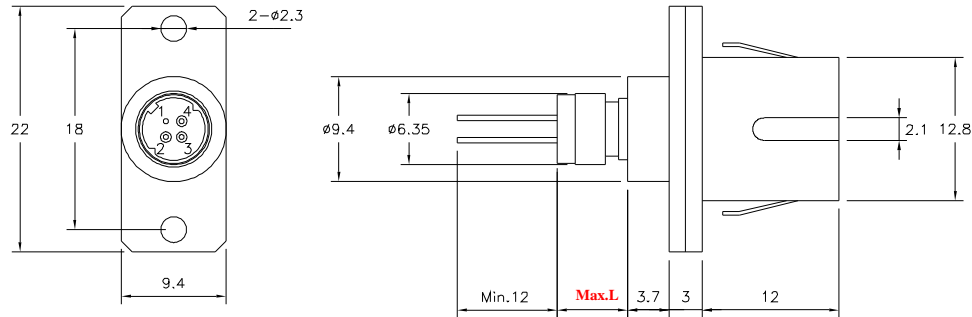
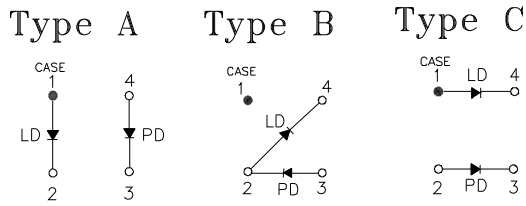
**DESCRIPTION**

DL-5500-1490 series are designed for coupling a single mode optical fiber with 1490 nm MQW DFB uncooled laser diode. DL-5500-1490 series are the best kits as light sources for telecom and datacom applications.

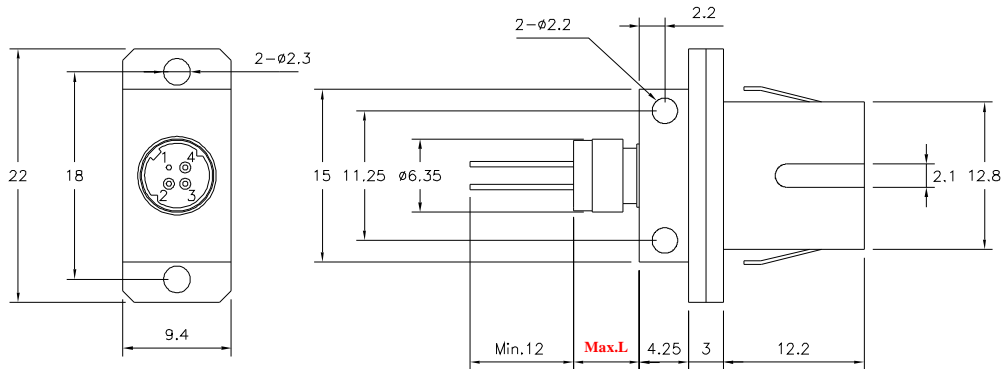
<b>ELECTRICAL AND OPTICAL CHARACTERISTICS (T<sub>C</sub>=25 °C)</b>						
Symbol	Parameter	Test Conditions	Min.	Typ.	Max.	Unit
I <sub>th</sub>	Threshold Current	CW		10	15	mA
V <sub>OP</sub>	Operating Voltage	CW, I <sub>F</sub> =I <sub>th</sub> +20mA		1.2	1.5	V
P <sub>f</sub>	Optical Output Power Part No:DL-552XX-1490 DL-553XX-1490 DL-554XX-1490	CW, I <sub>F</sub> =I <sub>th</sub> +20mA	1.0 2.0 3.0		2.0 3.0 -	mW
λ <sub>c</sub>	Center Wavelength	CW, I <sub>th</sub> +20mA	1483	1490	1495	nm
SMSR	Side Mode Suppression Ratio	CW, I <sub>th</sub> +20mA	30	35		dB
t <sub>r</sub> , t <sub>f</sub>	Rise And Fall Times Part No:DL-55XX-1490 DL-55XXS-1490	I <sub>F</sub> =I <sub>th</sub> , I <sub>th</sub> +20mA, 20~80%			226 150	ps
ΔP <sub>f</sub> /P <sub>f</sub>	Tracking Error	APC, 0~+70 °C	-1.5		1.5	dB
I <sub>m</sub>	PD Monitor Current	CW, I <sub>th</sub> +20mA, V <sub>RD</sub> =1V	100			μA
I <sub>D</sub>	PD Dark Current	V <sub>RD</sub> =5V			0.1	μA
C <sub>t</sub>	PD Capacitance	V <sub>RD</sub> =5V, f=1MHz		10	15	pF

<b>ABSOLUTE MAXIMUM RATINGS (T<sub>C</sub>=25 °C)</b>			
Symbol	Parameter	Ratings	Unit
P <sub>o</sub>	Optical Output Power (552XX/553XX/554XX)	1.5/3/4	mW
V <sub>RL</sub>	LD Reverse Voltage	2	V
V <sub>RD</sub>	PD Reverse Voltage	10	V
I <sub>FD</sub>	PD Forward Current	1.0	mA
T <sub>opr</sub>	Operating Temperature	0 to 70	°C
T <sub>stg</sub>	Storage Temperature	-40~+85	°C

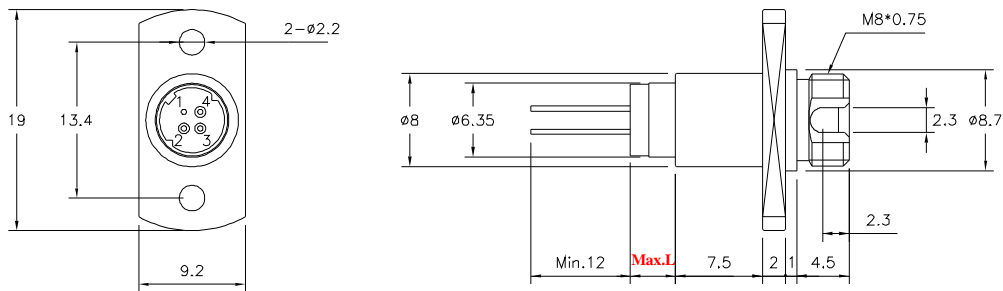
MECHANICAL DIMENSION (mm) and PIN ASSIGNMENT



**SC RECEPTACLE  
(DL-55XXX-1490-SX)**

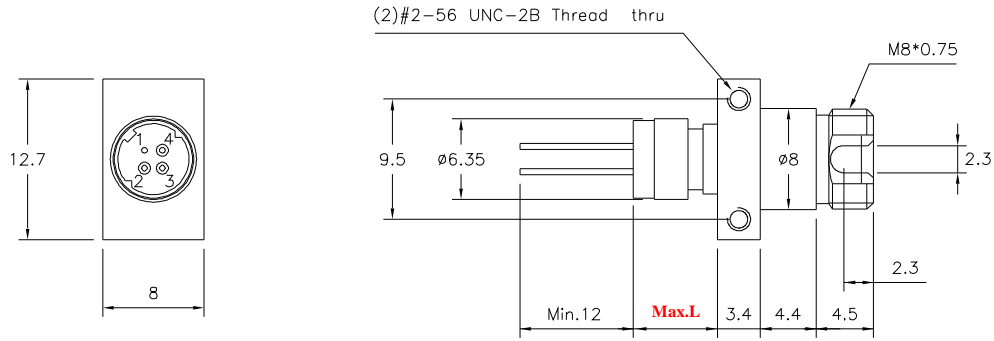


**SC RECEPTACLE (BOARD MOUNT)  
(DL-55XXX-1490-SBX)**

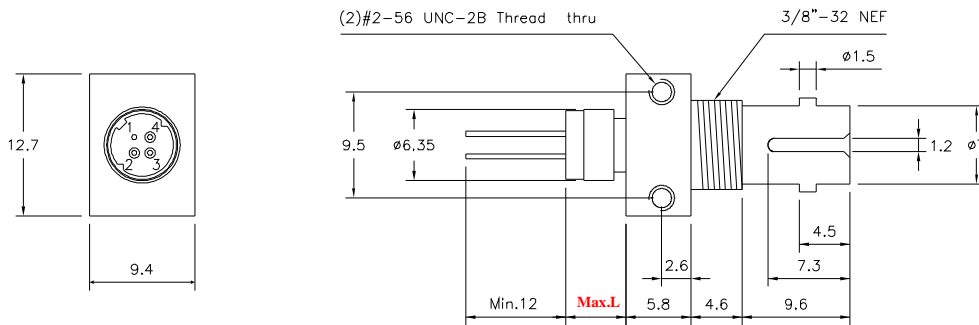


**FC RECEPTACLE  
(DL-55XXX-1490-FX)**

\*\*\*\*\*



**FC RECEPTACLE (BOARD MOUNT)**  
**(DL-55XXX-1490-FBX)**

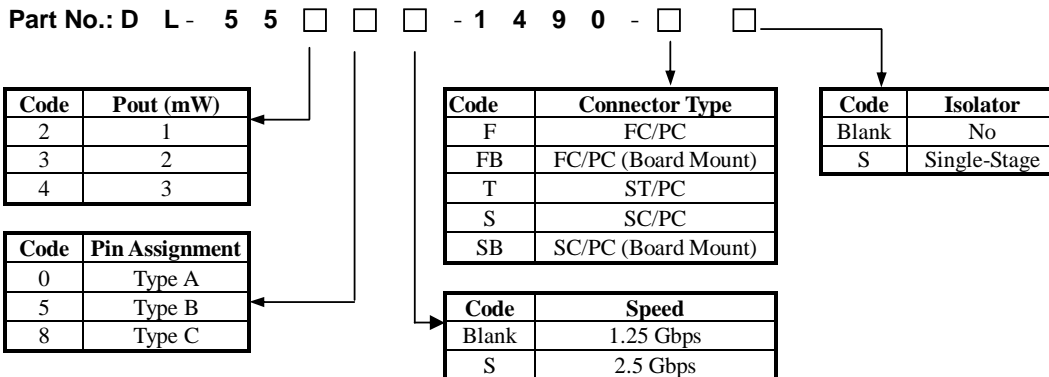


**ST RECEPTACLE**  
**(DL-55XXX-1490-TX)**

P/N	Max. L Dimension				
	S	SB	F	FB	T
552XX-1490-XX 553XX-1490-XX	8.6	8.0	6.2	8.9	7.7
554XX-1490-XX	10.6	10.0	8.2	10.9	9.7

Note: Specifications subject to change without notice.

## ORDER INFORMATION



\*\*\*\*\*

\*\*\*\*\*

## Revision History

Version	Subject	Release Date
1.0	Initial datasheet	2002/12/1
2.0	1. Combine 1.25G and 2.5G characteristics in one data sheet 2. Add 3mW products 3. Revise FC RECEPTACLE (BOARD MOUNT) thread thru dim.: M2 => UNC-2B 4. Revise drawing	2007/12/1

\*\*\*\*\*

**OPTOWAY TECHNOLOGY INC.**

No.38, Kuang Fu S. Road, Hu Kou, Hsin Chu Industrial Park, Hsin Chu, Taiwan 303

Tel: 886-3-5979798

Fax:886-3-5979737

e-mail: [sales@optoway.com.tw](mailto:sales@optoway.com.tw)<http://www.optoway.com.tw>

12/1/2007 V2.0