

# SERIES RR 3112 SWITCHES

## ROCKER SWITCHES



E-SWITCH®



### SPECIFICATIONS

Contact Rating: 16A @ 125VAC  
10A @ 250VAC

Life Expectancy (Mechanical): 20,000 cycles

Life Expectancy (Electrical): 6,000 cycles

Contact Resistance: 50 mΩ (Initial)

Insulation Resistance: 100M Ω @ 500V DC

Dielectric Strength: 1,500V Minimum (1 minute)

Operating Temp: 0°C to 65°C

### FEATURES & BENEFITS

- ▶ Ergonomic feel
- ▶ Visually appealing
- ▶ Multiple options

### APPLICATIONS/MARKETS

- ▶ Industrial
- ▶ Audio/visual
- ▶ Lighting ballast



### HOW TO ORDER

SERIES	MODEL NO.	CIRCUIT	HOUSING COLOR	ACTUATOR COLOR	LED COLOR	MARKING	TERMINATION	LAMP
RR	3112	See Below	BLK = Black WHT = White	BLK = Black WHT = White RED = Red YEL = Yellow GRN = Green	N = None RED = Red YEL = Yellow GRN = Green	A B E F G I	F = Faston	0 = None 1 = 110V Neon 2 = 220V Neon 3 = 3V LED 4 = 12V LED 5 = 24V LED

**CIRCUIT CODE:**

- A = SPST On-None-Off
- B\* = SPST On-None-Off
- C = SPDT On-None-On
- D = SPDT On-Off-On
- F = SPST Off-None-(On)
- L\* = SPST On-None-Off



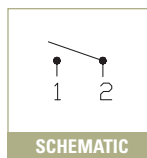
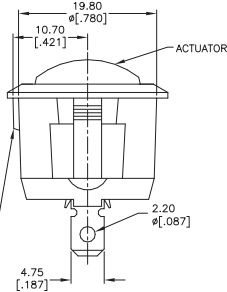
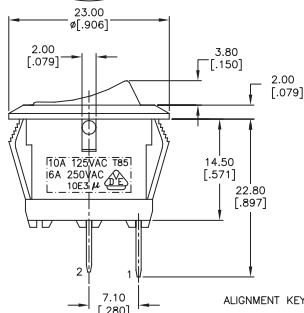
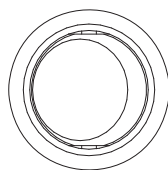
### Example Ordering Number

RR-3112-D-BLK-RED-A-F-3

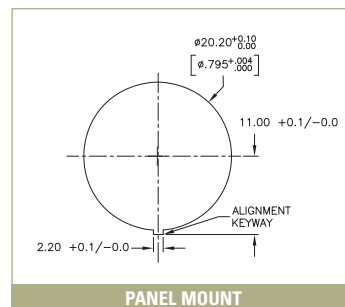
\* Note:  
B has NEON wired inline  
L has LED wired separate

Specifications subject to change without notice.

## RR 3112



SCHEMATIC



PANEL MOUNT

### MARKING OPTIONS

