



**PIC16C717/770/771**

**Data Sheet**

18/20-Pin, 8-Bit CMOS Microcontrollers  
with 10/12-bit A/D

---

**Note the following details of the code protection feature on PICmicro® MCUs.**

- The PICmicro family meets the specifications contained in the Microchip Data Sheet.
- Microchip believes that its family of PICmicro microcontrollers is one of the most secure products of its kind on the market today, when used in the intended manner and under normal conditions.
- There are dishonest and possibly illegal methods used to breach the code protection feature. All of these methods, to our knowledge, require using the PICmicro microcontroller in a manner outside the operating specifications contained in the data sheet. The person doing so may be engaged in theft of intellectual property.
- Microchip is willing to work with the customer who is concerned about the integrity of their code.
- Neither Microchip nor any other semiconductor manufacturer can guarantee the security of their code. Code protection does not mean that we are guaranteeing the product as “unbreakable”.
- Code protection is constantly evolving. We at Microchip are committed to continuously improving the code protection features of our product.

If you have any further questions about this matter, please contact the local sales office nearest to you.

---

Information contained in this publication regarding device applications and the like is intended through suggestion only and may be superseded by updates. It is your responsibility to ensure that your application meets with your specifications. No representation or warranty is given and no liability is assumed by Microchip Technology Incorporated with respect to the accuracy or use of such information, or infringement of patents or other intellectual property rights arising from such use or otherwise. Use of Microchip's products as critical components in life support systems is not authorized except with express written approval by Microchip. No licenses are conveyed, implicitly or otherwise, under any intellectual property rights.

#### Trademarks


The Microchip name and logo, the Microchip logo, FilterLab, KEELOQ, MPLAB, PIC, PICmicro, PICMASTER, PICSTART, PRO MATE, SEEVAL and The Embedded Control Solutions Company are registered trademarks of Microchip Technology Incorporated in the U.S.A. and other countries.

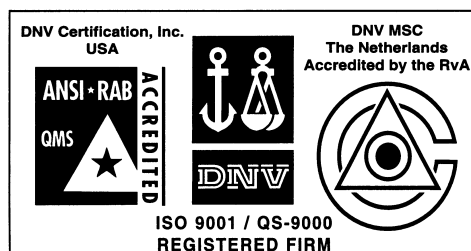
dsPIC, ECONOMONITOR, FanSense, FlexROM, fuzzyLAB, In-Circuit Serial Programming, ICSP, ICEPIC, microID, microPort, Migratable Memory, MPASM, MPLIB, MPLINK, MPSIM, MXDEV, PICC, PICDEM, PICDEM.net, rPIC, Select Mode and Total Endurance are trademarks of Microchip Technology Incorporated in the U.S.A.

Serialized Quick Term Programming (SQTP) is a service mark of Microchip Technology Incorporated in the U.S.A.

All other trademarks mentioned herein are property of their respective companies.

© 2002, Microchip Technology Incorporated, Printed in the U.S.A., All Rights Reserved.

 Printed on recycled paper.



*Microchip received QS-9000 quality system certification for its worldwide headquarters, design and wafer fabrication facilities in Chandler and Tempe, Arizona in July 1999. The Company's quality system processes and procedures are QS-9000 compliant for its PICmicro® 8-bit MCUs, KEELOQ® code hopping devices, Serial EEPROMs and microperipheral products. In addition, Microchip's quality system for the design and manufacture of development systems is ISO 9001 certified.*



# MICROCHIP

# PIC16C717/770/771

## 18/20-Pin, 8-Bit CMOS Microcontrollers with 10/12-Bit A/D

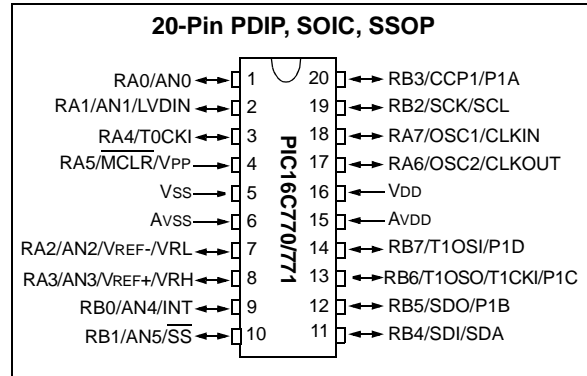
### Microcontroller Core Features:

- High-performance RISC CPU
- Only 35 single word instructions to learn
- All single cycle instructions except for program branches which are two cycle
- Operating speed: DC - 20 MHz clock input  
DC - 200 ns instruction cycle

Device	Memory		Pins	A/D Resolution	A/D Channels
	Program x14	Data x8			
PIC16C717	2K	256	18, 20	10 bits	6
PIC16C770	2K	256	20	12 bits	6
PIC16C771	4K	256	20	12 bits	6

- Interrupt capability (up to 10 internal/external interrupt sources)
- Eight level deep hardware stack
- Direct, indirect and relative addressing modes
- Power-on Reset (POR)
- Power-up Timer (PWRT) and Oscillator Start-up Timer (OST)
- Watchdog Timer (WDT) with its own on-chip RC oscillator for reliable operation
- Selectable oscillator options:
  - INTRC - Internal RC, dual speed (4 MHz and 37 kHz nominal) dynamically switchable for power savings
  - ER - External resistor, dual speed (user selectable frequency and 37 kHz nominal) dynamically switchable for power savings
  - EC - External clock
  - HS - High speed crystal/resonator
  - XT - Crystal/resonator
  - LP - Low power crystal
- Low power, high speed CMOS EPROM technology
- In-Circuit Serial Programming™ (ICSP™)
- Wide operating voltage range: 2.5V to 5.5V
- 15 I/O pins with individual control for:
  - Direction (15 pins)
  - Digital/Analog input (6 pins)
  - PORTB interrupt on change (8 pins)
  - PORTB weak pull-up (8 pins)
  - High voltage open drain (1 pin)
- Commercial and Industrial temperature ranges
- Low power consumption:
  - < 2 mA @ 4V, 4 MHz
  - 11 µA typical @ 2.5V, 37 kHz
  - < 1 µA typical standby current

### Pin Diagram

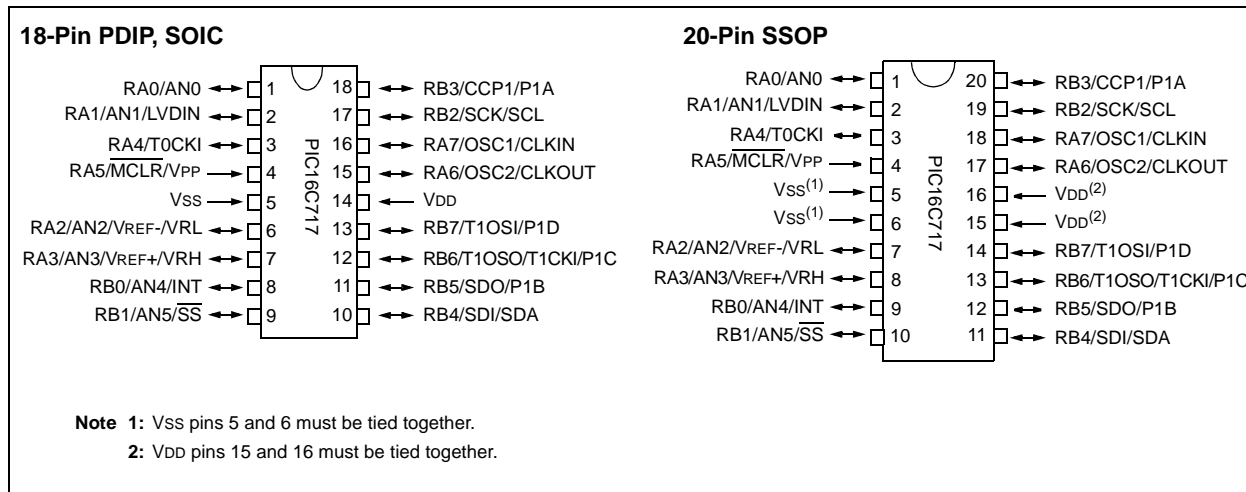


### Peripheral Features:

- Timer0: 8-bit timer/counter with 8-bit prescaler
- Timer1: 16-bit timer/counter with prescaler, can be incremented during SLEEP via external crystal/clock
- Timer2: 8-bit timer/counter with 8-bit period register, prescaler and postscaler
- Enhanced Capture, Compare, PWM (ECCP) module
  - Capture is 16-bit, max. resolution is 12.5 ns
  - Compare is 16-bit, max. resolution is 200 ns
  - PWM max. resolution is 10-bit
  - Enhanced PWM:
    - Single, Half-Bridge and Full-Bridge Output modes
    - Digitally programmable deadband delay
- Analog-to-Digital converter:
  - PIC16C770/771 12-bit resolution
  - PIC16C717 10-bit resolution
- On-chip absolute bandgap voltage reference generator
- Programmable Brown-out Reset (PBOR) circuitry
- Programmable Low-Voltage Detection (PLVD) circuitry
- Master Synchronous Serial Port (MSSP) with two modes of operation:
  - 3-wire SPI™ (supports all 4 SPI modes)
  - I<sup>2</sup>C™ compatible including Master mode support
- Program Memory Read (PMR) capability for look-up table, character string storage and checksum calculation purposes

# PIC16C717/770/771

## Pin Diagrams



Key Features PICmicro™ Mid-Range MCU Family Reference Manual, (DS33023)	PIC16C717	PIC16C770	PIC16C771
Operating Frequency	DC - 20 MHz	DC - 20 MHz	DC - 20 MHz
RESETS (and Delays)	POR, BOR, MCLR, WDT (PWRT, OST)	POR, BOR, MCLR, WDT (PWRT, OST)	POR, BOR, MCLR, WDT (PWRT, OST)
Program Memory (14-bit words)	2K	2K	4K
Data Memory (bytes)	256	256	256
Interrupts	10	10	10
I/O Ports	Ports A,B	Ports A,B	Ports A,B
Timers	3	3	3
Enhanced Capture/Compare/PWM (ECCP) modules	1	1	1
Serial Communications	MSSP	MSSP	MSSP
12-bit Analog-to-Digital Module	—	6 input channels	6 input channels
10-bit Analog-to-Digital Module	6 input channels	—	—
Instruction Set	35 Instructions	35 Instructions	35 Instructions

## Table of Contents

1.0 Device Overview .....	5
2.0 Memory Organization .....	9
3.0 I/O Ports .....	25
4.0 Program Memory Read (PMR) .....	41
5.0 Timer0 Module .....	45
6.0 Timer1 Module .....	47
7.0 Timer2 Module .....	51
8.0 Enhanced Capture/Compare/PWM (ECCP) Modules .....	53
9.0 Master Synchronous Serial Port (MSSP) Module .....	65
10.0 Voltage Reference Module and Low-voltage Detect .....	101
11.0 Analog-to-Digital Converter (A/D) Module .....	105
12.0 Special Features of the CPU .....	117
13.0 Instruction Set Summary .....	133
14.0 Development Support .....	141
15.0 Electrical Characteristics .....	147
16.0 DC and AC Characteristics Graphs and Tables .....	179
17.0 Packaging Information .....	197
APPENDIX A: Revision History .....	207
APPENDIX B: Device Differences .....	208
Index .....	209
On-Line Support .....	215
Reader Response .....	216
PIC16C717/770/771 Product Identification System .....	217

## TO OUR VALUED CUSTOMERS

It is our intention to provide our valued customers with the best documentation possible to ensure successful use of your Microchip products. To this end, we will continue to improve our publications to better suit your needs. Our publications will be refined and enhanced as new volumes and updates are introduced.

If you have any questions or comments regarding this publication, please contact the Marketing Communications Department via E-mail at [docerrors@mail.microchip.com](mailto:docerrors@mail.microchip.com) or fax the **Reader Response Form** in the back of this data sheet to (480) 792-4150. We welcome your feedback.

### Most Current Data Sheet

To obtain the most up-to-date version of this data sheet, please register at our Worldwide Web site at:

<http://www.microchip.com>

You can determine the version of a data sheet by examining its literature number found on the bottom outside corner of any page. The last character of the literature number is the version number, (e.g., DS30000A is version A of document DS30000).

### Errata

An errata sheet, describing minor operational differences from the data sheet and recommended workarounds, may exist for current devices. As device/documentation issues become known to us, we will publish an errata sheet. The errata will specify the revision of silicon and revision of document to which it applies.

To determine if an errata sheet exists for a particular device, please check with one of the following:

- Microchip's Worldwide Web site; <http://www.microchip.com>
- Your local Microchip sales office (see last page)
- The Microchip Corporate Literature Center; U.S. FAX: (480) 792-7277

When contacting a sales office or the literature center, please specify which device, revision of silicon and data sheet (include literature number) you are using.

### Customer Notification System

Register on our web site at [www.microchip.com/cn](http://www.microchip.com/cn) to receive the most current information on all of our products.

# PIC16C717/770/771

---

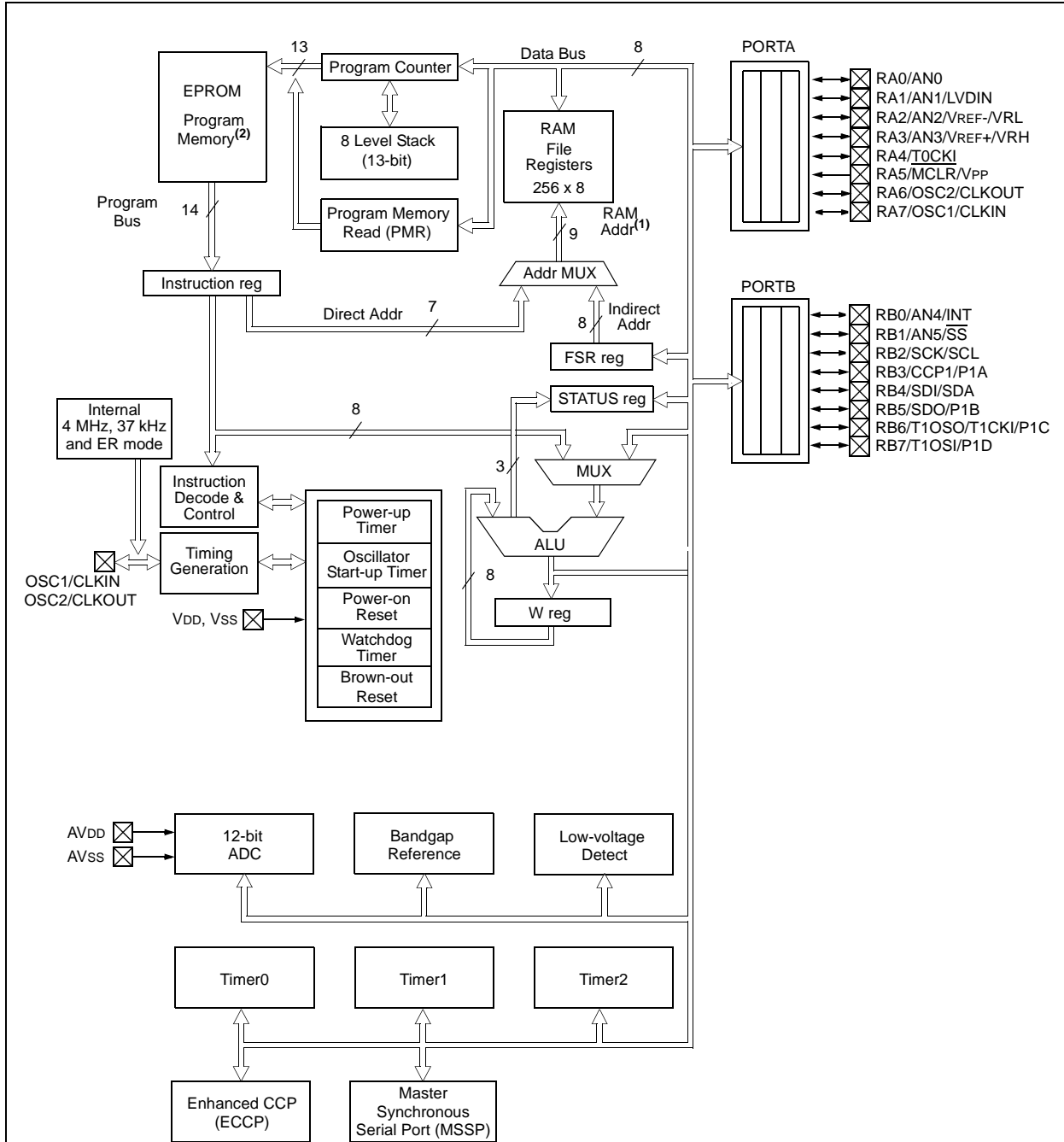
---

NOTES:



# PIC16C717/770/771

FIGURE 1-2: PIC16C770/771 BLOCK DIAGRAM



- Note 1:** Higher order bits are from the STATUS register.  
**Note 2:** Program memory for PIC16C770 is 2K x 14. Program memory for PIC16C771 is 4K x 14.



# PIC16C717/770/771

**TABLE 1-1: PIC16C717/770/771 PINOUT DESCRIPTION**

Name	Function	Input Type	Output Type	Description
RA0/AN0	RA0	ST	CMOS	Bi-directional I/O
	AN0	AN		A/D input
RA1/AN1/LVDIN	RA1	ST	CMOS	Bi-directional I/O
	AN1	AN		A/D input
	LVDIN	AN		LVD input reference
RA2/AN2/VREF-/VRL	RA2	ST	CMOS	Bi-directional I/O
	AN2	AN		A/D input
	VREF-	AN		Negative analog reference input
	VRL		AN	Internal voltage reference low output
RA3/AN3/VREF+/VRH	RA3	ST	CMOS	Bi-directional I/O
	AN3	AN		A/D input
	VREF+	AN		Positive analog reference input
	VRH		AN	Internal voltage reference high output
RA4/T0CKI	RA4	ST	OD	Bi-directional I/O
	T0CKI	ST		TMR0 clock input
RA5/ $\overline{\text{MCLR}}$ /VPP	RA5	ST		Input port
	$\overline{\text{MCLR}}$	ST		Master clear
	VPP	Power		Programming voltage
RA6/OSC2/CLKOUT	RA6	ST	CMOS	Bi-directional I/O
	OSC2		XTAL	Crystal/resonator
	CLKOUT		CMOS	Fosc/4 output
RA7/OSC1/CLKIN	RA7	ST	CMOS	Bi-directional I/O
	OSC1	XTAL		Crystal/resonator
	CLKIN	ST		External clock input/ER resistor connection
RB0/AN4/INT	RB0	TTL	CMOS	Bi-directional I/O <sup>(1)</sup>
	AN4	AN		A/D input
	INT	ST		Interrupt input
RB1/AN5/ $\overline{\text{SS}}$	RB1	TTL	CMOS	Bi-directional I/O <sup>(1)</sup>
	AN5	AN		A/D input
	$\overline{\text{SS}}$	ST		SSP slave select input
RB2/SCK/SCL	RB2	TTL	CMOS	Bi-directional I/O <sup>(1)</sup>
	SCK	ST	CMOS	Serial clock I/O for SPI
	SCL	ST	OD	Serial clock I/O for I <sup>2</sup> C
RB3/CCP1/P1A	RB3	TTL	CMOS	Bi-directional I/O <sup>(1)</sup>
	CCP1	ST	CMOS	Capture 1 input/Compare 1 output
	P1A		CMOS	PWM P1A output
RB4/SDI/SDA	RB4	TTL	CMOS	Bi-directional I/O <sup>(1)</sup>
	SDI	ST		Serial data in for SPI
	SDA	ST	OD	Serial data I/O for I <sup>2</sup> C
RB5/SDO/P1B	RB5	TTL	CMOS	Bi-directional I/O <sup>(1)</sup>
	SDO		CMOS	Serial data out for SPI
	P1B		CMOS	PWM P1B output

**Note 1:** Bit programmable pull-ups.

**Note 2:** Only in PIC16C770/771 devices.

# PIC16C717/770/771

TABLE 1-1: PIC16C717/770/771 PINOUT DESCRIPTION (CONTINUED)

Name	Function	Input Type	Output Type	Description
RB6/T1OSO/T1CKI/P1C	RB6	TTL	CMOS	Bi-directional I/O <sup>(1)</sup>
	T1OSO		XTAL	Crystal/Resonator
	T1CKI	CMOS		TMR1 clock input
	P1C		CMOS	PWM P1C output
RB7/T1OSI/P1D	RB7	TTL	CMOS	Bi-directional I/O <sup>(1)</sup>
	T1OSI	XTAL		TMR1 crystal/resonator
	P1D		CMOS	PWM P1D output
Vss	Vss	Power		Ground reference for logic and I/O pins
VDD	VDD	Power		Positive supply for logic and I/O pins
AVss <sup>(2)</sup>	AVSS	Power		Ground reference for analog
AVDD <sup>(2)</sup>	AVDD	Power		Positive supply for analog

**Note 1:** Bit programmable pull-ups.

**Note 2:** Only in PIC16C770/771 devices.

## 2.0 MEMORY ORGANIZATION

There are two memory blocks in each of these PICmicro® microcontrollers. Each block (Program Memory and Data Memory) has its own bus, so that concurrent access can occur.

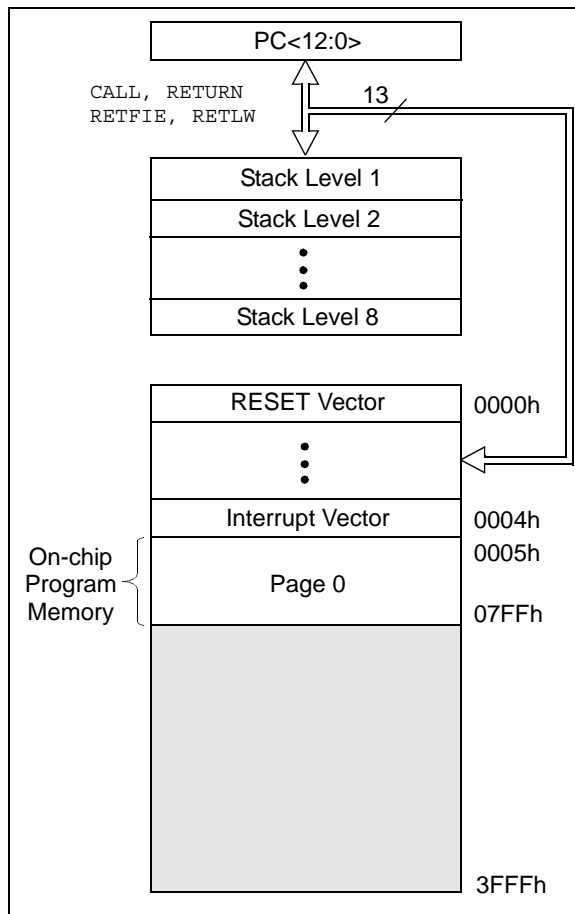
Additional information on device memory may be found in the PICmicro™ Mid-Range MCU Family Reference Manual, (DS33023).

### 2.1 Program Memory Organization

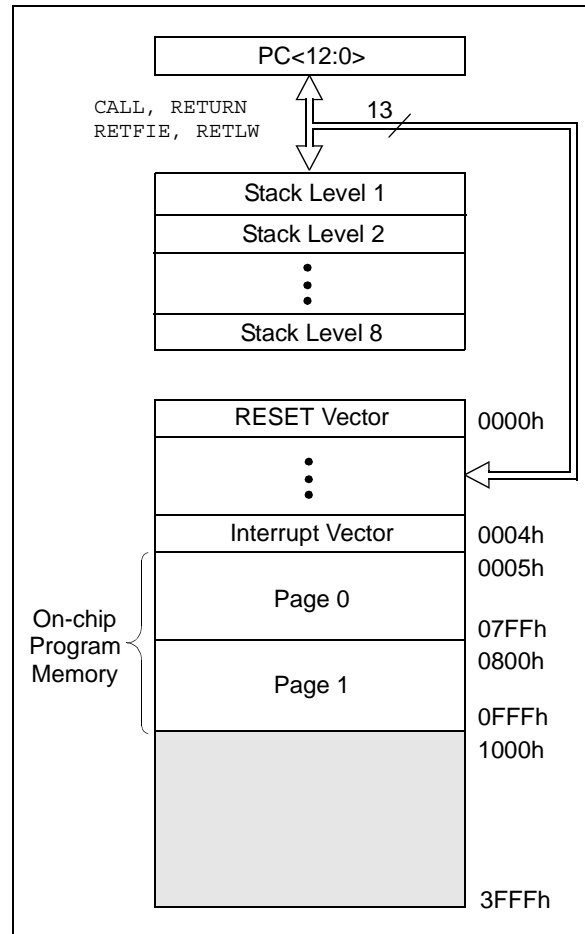
The PIC16C717/770/771 devices have a 13-bit program counter capable of addressing an 8K x 14 program memory space. The PIC16C717 and the PIC16C770 have 2K x 14 words of program memory. The PIC16C771 has 4K x 14 words of program memory. Accessing a location above the physically implemented address will cause a wrap-around.

The RESET vector is at 0000h and the interrupt vector is at 0004h.

**FIGURE 2-1: PROGRAM MEMORY MAP AND STACK OF THE PIC16C717 AND PIC16C770**



**FIGURE 2-2: PROGRAM MEMORY MAP AND STACK OF THE PIC16C771**



### 2.2 Data Memory Organization

The data memory is partitioned into multiple banks, which contain the General Purpose Registers and the Special Function Registers. Bits RP1 and RP0 are the bank select bits.

RP1	RP0	(STATUS<6:5>)
= 00	→	Bank0
= 01	→	Bank1
= 10	→	Bank2
= 11	→	Bank3

Each bank extends up to 7Fh (128 bytes). The lower locations of each bank are reserved for the Special Function Registers. Above the Special Function Registers are General Purpose Registers, implemented as static RAM. All implemented banks contain special function registers. Some frequently used special function registers from one bank are mirrored in another bank for code reduction and quicker access.

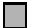
#### 2.2.1 GENERAL PURPOSE REGISTER FILE

The register file can be accessed either directly, or indirectly, through the File Select Register FSR.

# PIC16C717/770/771

FIGURE 2-3: REGISTER FILE MAP

File Address		File Address		File Address		File Address	
Indirect addr. <sup>(*)</sup>	00h	Indirect addr. <sup>(*)</sup>	80h	Indirect addr. <sup>(*)</sup>	100h	Indirect addr. <sup>(*)</sup>	180h
TMR0	01h	OPTION_REG	81h	TMR0	101h	OPTION_REG	181h
PCL	02h	PCL	82h	PCL	102h	PCL	182h
STATUS	03h	STATUS	83h	STATUS	103h	STATUS	183h
FSR	04h	FSR	84h	FSR	104h	FSR	184h
PORTA	05h	TRISA	85h		105h		185h
PORTB	06h	TRISB	86h	PORTB	106h	TRISB	186h
	07h		87h		107h		187h
	08h		88h		108h		188h
	09h		89h		109h		189h
PCLATH	0Ah	PCLATH	8Ah	PCLATH	10Ah	PCLATH	18Ah
INTCON	0Bh	INTCON	8Bh	INTCON	10Bh	INTCON	18Bh
PIR1	0Ch	PIE1	8Ch	PMDATL	10Ch	PMCON1	18Ch
PIR2	0Dh	PIE2	8Dh	PMADRL	10Dh		18Dh
TMR1L	0Eh	PCON	8Eh	PMDATH	10Eh		18Eh
TMR1H	0Fh		8Fh	PMADRH	10Fh		18Fh
T1CON	10h		90h		110h		190h
TMR2	11h	SSPCON2	91h		111h		191h
T2CON	12h	PR2	92h		112h		192h
SSPBUF	13h	SSPADD	93h		113h		193h
SSPCON	14h	SSPSTAT	94h		114h		194h
CCPR1L	15h	WPUB	95h		115h		195h
CCPR1H	16h	IOCB	96h		116h		196h
CCP1CON	17h	P1DEL	97h		117h		197h
	18h		98h		118h		198h
	19h		99h		119h		199h
	1Ah		9Ah		11Ah		19Ah
	1Bh	REFCON	9Bh		11Bh		19Bh
	1Ch	LVDCON	9Ch		11Ch		19Ch
	1Dh	ANSEL	9Dh		11Dh		19Dh
ADRESH	1Eh	ADRESL	9Eh		11Eh		19Eh
ADCON0	1Fh	ADCON1	9Fh		11Fh		19Fh
	20h		A0h		120h		1A0h
General Purpose Register		General Purpose Register 80 Bytes		General Purpose Register 80 Bytes			
96 Bytes							
		accesses 70h-7Fh		accesses 70h - 7Fh		accesses 70h - 7Fh	
	7Fh		EFh		16Fh		1EFh
			F0h		170h		1F0h
			FFh		17Fh		1FFh
Bank 0		Bank 1		Bank 2		Bank 3	

 Unimplemented data memory locations, read as '0'.  
 \* Not a physical register.

# PIC16C717/770/771

## 2.2.2 SPECIAL FUNCTION REGISTERS

The Special Function Registers are registers used by the CPU and Peripheral Modules for controlling the desired operation of the device. These registers are implemented as static RAM. A list of these registers is given in Table 2-1.

The special function registers can be classified into two sets; core (CPU) and peripheral. Those registers associated with the core functions are described in detail in this section. Those related to the operation of the peripheral features are described in detail in that peripheral feature section.

**TABLE 2-1: PIC16C717/770/771 SPECIAL FUNCTION REGISTER SUMMARY**

Address	Name	Bit 7	Bit 6	Bit 5	Bit 4	Bit 3	Bit 2	Bit 1	Bit 0	Value on: POR, BOR	Details on Page:
<b>Bank 0</b>											
00h <sup>(3)</sup>	INDF	Addressing this location uses contents of FSR to address data memory (not a physical register)								0000 0000	23
01h	TMR0	Timer0 module's register								xxxx xxxx	45
02h <sup>(3)</sup>	PCL	Program Counter's (PC) Least Significant Byte								0000 0000	22
03h <sup>(3)</sup>	STATUS	IRP	RP1	RP0	$\overline{TO}$	$\overline{PD}$	Z	DC	C	0001 1xxx	14
04h <sup>(3)</sup>	FSR	Indirect data memory address pointer								xxxx xxxx	23
05h	PORTA	RA7	RA6	RA5	RA4	RA3	RA2	RA1	RA0	xxxx 0000	25
06h	PORTB	RB7	RB6	RB5	RB4	RB3	RB2	RB1	RB0	xxxx xx11	33
07h	—	Unimplemented								—	—
08h	—	Unimplemented								—	—
09h	—	Unimplemented								—	—
0Ah <sup>(1,3)</sup>	PCLATH	—	—	—	Write Buffer for the upper 5 bits of the Program Counter					---0 0000	22
0Bh <sup>(3)</sup>	INTCON	GIE	PEIE	TOIE	INTE	RBIE	T0IF	INTF	RBIF	0000 000x	16
0Ch	PIR1	—	ADIF	—	—	SSPIF	CCP1IF	TMR2IF	TMR1IF	0---0000	18
0Dh	PIR2	LVDIF	—	—	—	BCLIF	—	—	—	0--- 0---	20
0Eh	TMR1L	Holding register for the Least Significant Byte of the 16-bit TMR1 register								xxxx xxxx	47
0Fh	TMR1H	Holding register for the Most Significant Byte of the 16-bit TMR1 register								xxxx xxxx	47
10h	T1CON	—	—	T1CKPS1	T1CKPS0	T1OSCEN	$\overline{T1SYNC}$	TMR1CS	TMR1ON	--00 0000	47
11h	TMR2	Timer2 module's register								0000 0000	51
12h	T2CON	—	TOUTPS3	TOUTPS2	TOUTPS1	TOUTPS0	TMR2ON	T2CKPS1	T2CKPS0	-000 0000	51
13h	SSPBUF	Synchronous Serial Port Receive Buffer/Transmit Register								xxxx xxxx	70
14h	SSPCON	WCOL	SSPOV	SSPEN	CKP	SSPM3	SSPM2	SSPM1	SSPM0	0000 0000	67
15h	CCPR1L	Capture/Compare/PWM Register1 (LSB)								xxxx xxxx	54
16h	CCPR1H	Capture/Compare/PWM Register1 (MSB)								xxxx xxxx	54
17h	CCP1CON	PWM1M1	PWM1M0	DC1B1	DC1B0	CCP1M3	CCP1M2	CCP1M1	CCP1M0	0000 0000	53
18h	—	Unimplemented								—	—
19h	—	Unimplemented								—	—
1Ah	—	Unimplemented								—	—
1Bh	—	Unimplemented								—	—
1Ch	—	Unimplemented								—	—
1Dh	—	Unimplemented								—	—
1Eh	ADRESH	A/D High Byte Result Register								xxxx xxxx	107
1Fh	ADCON0	ADCS1	ADCS0	CHS2	CHS1	CHS0	$\overline{GO/DONE}$	CHS3	ADON	0000 0000	107

Legend: x = unknown, u = unchanged, q = value depends on condition, - = unimplemented read as '0'.  
Shaded locations are unimplemented, read as '0'.

- Note 1:** The upper byte of the program counter is not directly accessible. PCLATH is a holding register for the PC<12:8> whose contents are transferred to the upper byte of the program counter.
- 2:** Other (non Power-up) Resets include external RESET through MCLR and Watchdog Timer Reset.
- 3:** These registers can be addressed from any bank.

# PIC16C717/770/771

**TABLE 2-1: PIC16C717/770/771 SPECIAL FUNCTION REGISTER SUMMARY (CONTINUED)**

Address	Name	Bit 7	Bit 6	Bit 5	Bit 4	Bit 3	Bit 2	Bit 1	Bit 0	Value on: POR, BOR	Details on Page:
<b>Bank 1</b>											
80h <sup>(3)</sup>	INDF	Addressing this location uses contents of FSR to address data memory (not a physical register)								0000 0000	23
81h	OPTION_REG	RBP $\bar{U}$	INTEDG	T0CS	T0SE	PSA	PS2	PS1	PS0	1111 1111	15
82h <sup>(3)</sup>	PCL	Program Counter's (PC) Least Significant Byte								0000 0000	22
83h <sup>(3)</sup>	STATUS	IRP	RP1	RP0	$\bar{T}O$	$\bar{P}D$	Z	DC	C	0001 1xxx	14
84h <sup>(3)</sup>	FSR	Indirect data memory address pointer								xxxxx xxxxx	23
85h	TRISA	PORTA Data Direction Register								1111 1111	25
86h	TRISB	PORTB Data Direction Register								1111 1111	33
87h	—	Unimplemented								—	—
88h	—	Unimplemented								—	—
89h	—	Unimplemented								—	—
8Ah <sup>(1,3)</sup>	PCLATH	—	—	—	Write Buffer for the upper 5 bits of the Program Counter					---0 0000	22
8Bh <sup>(3)</sup>	INTCON	GIE	PEIE	T0IE	INTE	RBIE	T0IF	INTF	RBIF	0000 000x	16
8Ch	PIE1	—	ADIE	—	—	SSPIE	CCP1IE	TMR2IE	TMR1IE	-0-- 0000	17
8Dh	PIE2	LVDIE	—	—	—	BCLIE	—	—	—	0--- 0---	19
8Eh	PCON	—	—	—	—	OSCF	—	$\bar{P}OR$	$\bar{B}OR$	---- 1-gg	21
8Fh	—	Unimplemented								—	—
90h	—	Unimplemented								—	—
91h	SSPCON2	GCEN	ACKSTAT	ACKDT	ACKEN	RCEN	PEN	RSEN	SEN	0000 0000	69
92h	PR2	Timer2 Period Register								1111 1111	52
93h	SSPADD	Synchronous Serial Port (I <sup>2</sup> C mode) Address Register								0000 0000	76
94h	SSPSTAT	SMP	CKE	D $\bar{A}$	P	S	R $\bar{W}$	UA	BF	0000 0000	66
95h	WPUB	PORTB Weak Pull-up Control								1111 1111	34
96h	IOCB	PORTB Interrupt on Change Control								1111 0000	34
97h	P1DEL	PWM 1 Delay value								0000 0000	62
98h	—	Unimplemented								—	—
99h	—	Unimplemented								—	—
9Ah	—	Unimplemented								—	—
9Bh	REFCON	VRHEN	VRLEN	VRHOEN	VRLOEN	—	—	—	—	0000 ----	102
9Ch	LVDCON	—	—	BGST	LVDEN	LVV3	LVV2	LVV1	LVV0	--00 0101	101
9Dh	ANSEL	—	—	Analog Channel Select						--11 1111	25
9Eh	ADRESL	A/D Low Byte Result Register								xxxx xxxxx	107
9Fh	ADCON1	ADFM	VCFG2	VCFG1	VCFG0	—	—	—	—	0000 ----	107

Legend: x = unknown, u = unchanged, q = value depends on condition, - = unimplemented read as '0'.  
Shaded locations are unimplemented, read as '0'.

**Note 1:** The upper byte of the program counter is not directly accessible. PCLATH is a holding register for the PC<12:8> whose contents are transferred to the upper byte of the program counter.

**2:** Other (non Power-up) Resets include external RESET through MCLR and Watchdog Timer Reset.

**3:** These registers can be addressed from any bank.

# PIC16C717/770/771

**TABLE 2-1: PIC16C717/770/771 SPECIAL FUNCTION REGISTER SUMMARY (CONTINUED)**

Address	Name	Bit 7	Bit 6	Bit 5	Bit 4	Bit 3	Bit 2	Bit 1	Bit 0	Value on: POR, BOR	Details on Page:
<b>Bank 2</b>											
100h <sup>(3)</sup>	INDF	Addressing this location uses contents of FSR to address data memory (not a physical register)								0000 0000	23
101h	TMR0	Timer0 module's register								xxxx xxxx	45
102h <sup>(3)</sup>	PCL	Program Counter's (PC) Least Significant Byte								0000 0000	22
103h <sup>(3)</sup>	STATUS	IRP	RP1	RP0	$\overline{TO}$	$\overline{PD}$	Z	DC	C	0001 1xxx	14
104h <sup>(3)</sup>	FSR	Indirect data memory address pointer								xxxx xxxx	23
105h	—	Unimplemented								—	—
106h	PORTB	PORTB Data Latch when written: PORTB pins when read								xxxx xx11	33
107h	—	Unimplemented								—	—
108h	—	Unimplemented								—	—
109h	—	Unimplemented								—	—
10Ah <sup>(1,3)</sup>	PCLATH	—	—	—	Write Buffer for the upper 5 bits of the Program Counter				---0 0000	22	
10Bh <sup>(3)</sup>	INTCON	GIE	PEIE	TOIE	INTE	RBIE	TOIF	INTF	RBIF	0000 000x	16
10Ch	PMDATL	Program memory read data low								xxxx xxxx	
10Dh	PMADRL	Program memory read address low								xxxx xxxx	
10Eh	PMDATH	—	—	Program memory read data high				--xx xxxx			
10Fh	PMADRH	—	—	—	—	Program memory read address high			---- xxxx		
110h- 11Fh	—	Unimplemented								—	—
<b>Bank 3</b>											
180h <sup>(3)</sup>	INDF	Addressing this location uses contents of FSR to address data memory (not a physical register)								0000 0000	23
181h	OPTION_REG	$\overline{RBPU}$	INTEDG	T0CS	T0SE	PSA	PS2	PS1	PS0	1111 1111	15
182h <sup>(3)</sup>	PCL	Program Counter's (PC) Least Significant Byte								0000 0000	22
183h <sup>(3)</sup>	STATUS	IRP	RP1	RP0	$\overline{TO}$	$\overline{PD}$	Z	DC	C	0001 1xxx	14
184h <sup>(3)</sup>	FSR	Indirect data memory address pointer								xxxx xxxx	23
185h	—	Unimplemented								—	—
186h	TRISB	PORTB Data Direction Register								1111 1111	33
187h	—	Unimplemented								—	—
188h	—	Unimplemented								—	—
189h	—	Unimplemented								—	—
18Ah <sup>(1,3)</sup>	PCLATH	—	—	—	Write Buffer for the upper 5 bits of the Program Counter				---0 0000	22	
18Bh <sup>(3)</sup>	INTCON	GIE	PEIE	TOIE	INTE	RBIE	TOIF	INTF	RBIF	0000 000x	16
18Ch	PMCON1	Reserved	—	—	—	—	—	—	RD	1--- ---0	
18Dh- 18Fh	—	Unimplemented								—	—

Legend: x = unknown, u = unchanged, c = value depends on condition, - = unimplemented read as '0'.

Shaded locations are unimplemented, read as '0'.

**Note 1:** The upper byte of the program counter is not directly accessible. PCLATH is a holding register for the PC<12:8> whose contents are transferred to the upper byte of the program counter.

**2:** Other (non Power-up) Resets include external RESET through MCLR and Watchdog Timer Reset.

**3:** These registers can be addressed from any bank.

# PIC16C717/770/771

## 2.2.2.1 STATUS REGISTER

The STATUS register, shown in Register 2-1, contains the arithmetic status of the ALU, the RESET status and the bank select bits for data memory.

The STATUS register can be the destination for any instruction, as with any other register. If the STATUS register is the destination for an instruction that affects the Z, DC or C bits, then the write to these three bits is disabled. These bits are set or cleared according to the device logic. Furthermore, the  $\overline{\text{TO}}$  and  $\overline{\text{PD}}$  bits are not writable. Therefore, the result of an instruction with the STATUS register as destination may be different than intended.

For example, `CLRF STATUS` will clear the upper-three bits and set the Z bit. This leaves the STATUS register as `000u u1uu` (where u = unchanged).

It is recommended, therefore, that only `BCF`, `BSF`, `SWAPF` and `MOVWF` instructions are used to alter the STATUS register, because these instructions do not affect the Z, C or DC bits from the STATUS register. For other instructions not affecting any status bits, see the "Instruction Set Summary."

**Note:** The C and DC bits operate as a borrow and digit borrow bit, respectively, in subtraction. See the `SUBLW` and `SUBWF` instructions for examples.

### REGISTER 2-1: STATUS REGISTER (STATUS: 03h, 83h, 103h, 183h)

	R/W-0	R/W-0	R/W-0	R-1	R-1	R/W-x	R/W-x	R/W-x
	IRP	RP1	RP0	$\overline{\text{TO}}$	$\overline{\text{PD}}$	Z	DC	C
bit 7								bit 0

- bit 7 **IRP:** Register Bank Select bit (used for indirect addressing)  
 1 = Bank 2, 3 (100h - 1FFh)  
 0 = Bank 0, 1 (00h - FFh)
- bit 6-5 **RP<1:0>:** Register Bank Select bits (used for direct addressing)  
 11 = Bank 3 (180h - 1FFh)  
 10 = Bank 2 (100h - 17Fh)  
 01 = Bank 1 (80h - FFh)  
 00 = Bank 0 (00h - 7Fh)  
 Each bank is 128 bytes
- bit 4  **$\overline{\text{TO}}$ :** Time-out bit  
 1 = After power-up, `CLRWDT` instruction, or `SLEEP` instruction  
 0 = A WDT time-out occurred
- bit 3  **$\overline{\text{PD}}$ :** Power-down bit  
 1 = After power-up or by the `CLRWDT` instruction  
 0 = By execution of the `SLEEP` instruction
- bit 2 **Z:** Zero bit  
 1 = The result of an arithmetic or logic operation is zero  
 0 = The result of an arithmetic or logic operation is not zero
- bit 1 **DC:** Digit carry/borrow bit (`ADDWF`, `ADDLW`, `SUBLW`, `SUBWF` instructions) (for borrow the polarity is reversed)  
 1 = A carry-out from the 4th low order bit of the result occurred  
 0 = No carry-out from the 4th low order bit of the result
- bit 0 **C:** Carry/borrow bit (`ADDWF`, `ADDLW`, `SUBLW`, `SUBWF` instructions)  
 1 = A carry-out from the Most Significant bit of the result occurred  
 0 = No carry-out from the Most Significant bit of the result occurred

**Note:** For borrow, the polarity is reversed. A subtraction is executed by adding the two's complement of the second operand. For rotate (`RRF`, `RLF`) instructions, this bit is loaded with either the high or low order bit of the source register.

Legend:

R = Readable bit	W = Writable bit	U = Unimplemented bit, read as '0'
- n = Value at POR	'1' = Bit is set	'0' = Bit is cleared    x = Bit is unknown



## 2.2.2.2 OPTION\_REG REGISTER

The OPTION\_REG register is a readable and writable register, which contains various control bits to configure the TMR0 prescaler/WDT postscaler (single assignable register known also as the prescaler), the External INT Interrupt, TMR0 and the weak pull-ups on PORTB.

**Note:** To achieve a 1:1 prescaler assignment for the TMR0 register, assign the prescaler to the Watchdog Timer.

### REGISTER 2-2: OPTION REGISTER (OPTION\_REG: 81h, 181h)

	R/W-1	R/W-1	R/W-1	R/W-1	R/W-1	R/W-1	R/W-1	R/W-1
	RBP $\overline{U}$	INTEDG	T0CS	T0SE	PSA	PS2	PS1	PS0
bit 7								bit 0

- bit 7 **RBP $\overline{U}$ :** PORTB Pull-up Enable bit<sup>(1)</sup>  
1 = PORTB weak pull-ups are disabled  
0 = PORTB weak pull-ups are enabled by the WPUB register
- bit 6 **INTEDG:** Interrupt Edge Select bit  
1 = Interrupt on rising edge of RB0/INT pin  
0 = Interrupt on falling edge of RB0/INT pin
- bit 5 **T0CS:** TMR0 Clock Source Select bit  
1 = Transition on RA4/T0CKI pin  
0 = Internal instruction cycle clock (CLKOUT)
- bit 4 **T0SE:** TMR0 Source Edge Select bit  
1 = Increment on high-to-low transition on RA4/T0CKI pin  
0 = Increment on low-to-high transition on RA4/T0CKI pin
- bit 3 **PSA:** Prescaler Assignment bit  
1 = Prescaler is assigned to the WDT  
0 = Prescaler is assigned to the Timer0 module
- bit 2-0 **PS<2:0>:** Prescaler Rate Select bits

Bit Value	TMR0 Rate	WDT Rate
000	1 : 2	1 : 1
001	1 : 4	1 : 2
010	1 : 8	1 : 4
011	1 : 16	1 : 8
100	1 : 32	1 : 16
101	1 : 64	1 : 32
110	1 : 128	1 : 64
111	1 : 256	1 : 128

**Note 1:** Individual weak pull-up on RB pins can be enabled/disabled from the weak pull-up PORTB Register (WPUB).

**Legend:**

R = Readable bit	W = Writable bit	U = Unimplemented bit, read as '0'
- n = Value at POR	'1' = Bit is set	'0' = Bit is cleared    x = Bit is unknown

# PIC16C717/770/771

## 2.2.2.3 INTCON REGISTER

The INTCON Register is a readable and writable register, which contains various enable and flag bits for the TMR0 register overflow, RB Port change and External RB0/INT pin interrupts.

**Note:** Interrupt flag bits get set when an interrupt condition occurs, regardless of the state of its corresponding enable bit or the global enable bit, GIE (INTCON<7>). User software should ensure the appropriate interrupt flag bits are clear prior to enabling an interrupt.

### REGISTER 2-3: INTERRUPT CONTROL REGISTER (INTCON: 0Bh, 8Bh, 10Bh, 18Bh)

R/W-0	R/W-0	R/W-0	R/W-0	R/W-0	R/W-0	R/W-0	R/W-x
GIE	PEIE	TOIE	INTE	RBIE	TOIF	INTF	RBIF
bit 7							bit 0

- bit 7     **GIE:** Global Interrupt Enable bit  
1 = Enables all un-masked interrupts  
0 = Disables all interrupts
- bit 6     **PEIE:** Peripheral Interrupt Enable bit  
1 = Enables all un-masked peripheral interrupts  
0 = Disables all peripheral interrupts
- bit 5     **TOIE:** TMR0 Overflow Interrupt Enable bit  
1 = Enables the TMR0 interrupt  
0 = Disables the TMR0 interrupt
- bit 4     **INTE:** RB0/INT External Interrupt Enable bit  
1 = Enables the RB0/INT external interrupt  
0 = Disables the RB0/INT external interrupt
- bit 3     **RBIE:** RB Port Change Interrupt Enable bit<sup>(1)</sup>  
1 = Enables the RB port change interrupt  
0 = Disables the RB port change interrupt
- bit 2     **TOIF:** TMR0 Overflow Interrupt Flag bit  
1 = TMR0 register has overflowed (must be cleared in software)  
0 = TMR0 register did not overflow
- bit 1     **INTF:** RB0/INT External Interrupt Flag bit  
1 = The RB0/INT external interrupt occurred (must be cleared in software)  
0 = The RB0/INT external interrupt did not occur
- bit 0     **RBIF:** RB Port Change Interrupt Flag bit<sup>(1)</sup>  
1 = At least one of the RB<7:0> pins changed state (must be cleared in software)  
0 = None of the RB<7:0> pins have changed state

**Note 1:** Individual RB pin interrupt-on-change can be enabled/disabled from the Interrupt-on-Change PORTB register (IOCB).

Legend:

R = Readable bit	W = Writable bit	U = Unimplemented bit, read as '0'
- n = Value at POR	'1' = Bit is set	'0' = Bit is cleared     x = Bit is unknown

## 2.2.2.4 PIE1 REGISTER

This register contains the individual enable bits for the peripheral interrupts.

**Note:** Bit PEIE (INTCON<6>) must be set to enable any peripheral interrupt.

### REGISTER 2-4: PERIPHERAL INTERRUPT ENABLE REGISTER 1 (PIE1: 8Ch)

U-0	R/W-0	U-0	U-0	R/W-0	R/W-0	R/W-0	R/W-0
—	ADIE	—	—	SSPIE	CCP1IE	TMR2IE	TMR1IE
bit 7				bit 0			

- bit 7      **Unimplemented:** Read as '0'
- bit 6      **ADIE:** A/D Converter Interrupt Enable bit  
1 = Enables the A/D interrupt  
0 = Disables the A/D interrupt
- bit 5-4    **Unimplemented:** Read as '0'
- bit 3      **SSPIE:** Synchronous Serial Port Interrupt Enable bit  
1 = Enables the SSP interrupt  
0 = Disables the SSP interrupt
- bit 2      **CCP1IE:** CCP1 Interrupt Enable bit  
1 = Enables the CCP1 interrupt  
0 = Disables the CCP1 interrupt
- bit 1      **TMR2IE:** TMR2 to PR2 Match Interrupt Enable bit  
1 = Enables the TMR2 to PR2 match interrupt  
0 = Disables the TMR2 to PR2 match interrupt
- bit 0      **TMR1IE:** TMR1 Overflow Interrupt Enable bit  
1 = Enables the TMR1 overflow interrupt  
0 = Disables the TMR1 overflow interrupt

Legend:

R = Readable bit	W = Writable bit	U = Unimplemented bit, read as '0'
- n = Value at POR	'1' = Bit is set	'0' = Bit is cleared      x = Bit is unknown

# PIC16C717/770/771

## 2.2.2.5 PIR1 REGISTER

This register contains the individual flag bits for the peripheral interrupts.

**Note:** Interrupt flag bits get set when an interrupt condition occurs, regardless of the state of its corresponding enable bit or the global enable bit, GIE (INTCON<7>). User software should ensure the appropriate interrupt flag bits are clear prior to enabling an interrupt.

### REGISTER 2-5: PERIPHERAL INTERRUPT REGISTER 1 (PIR1: 0Ch)

U-0	R/W-0	U-0	U-0	R/W-0	R/W-0	R/W-0	R/W-0
—	ADIF	—	—	SSPIF	CCP1IF	TMR2IF	TMR1IF
bit 7							bit 0

- bit 7 **Unimplemented:** Read as '0'.
- bit 6 **ADIF:** A/D Converter Interrupt Flag bit  
 1 = An A/D conversion completed  
 0 = The A/D conversion is not complete
- bit 5-4 **Unimplemented:** Read as '0'
- bit 3 **SSPIF:** Synchronous Serial Port (SSP) Interrupt Flag  
 1 = The SSP interrupt condition has occurred, and must be cleared in software before returning from the Interrupt Service Routine. The conditions that will set this bit are:  
SPI  
 A transmission/reception has taken place.  
I<sup>2</sup>C Slave / Master  
 A transmission/reception has taken place.  
I<sup>2</sup>C Master  
 The initiated START condition was completed by the SSP module.  
 The initiated STOP condition was completed by the SSP module.  
 The initiated Restart condition was completed by the SSP module.  
 The initiated Acknowledge condition was completed by the SSP module.  
 A START condition occurred while the SSP module was IDLE (Multi-master system).  
 A STOP condition occurred while the SSP module was IDLE (Multi-master system).  
 0 = No SSP interrupt condition has occurred.
- bit 2 **CCP1IF:** CCP1 Interrupt Flag bit  
Capture Mode  
 1 = A TMR1 register capture occurred (must be cleared in software)  
 0 = No TMR1 register capture occurred  
Compare Mode  
 1 = A TMR1 register compare match occurred (must be cleared in software)  
 0 = No TMR1 register compare match occurred  
PWM Mode  
 Unused in this mode
- bit 1 **TMR2IF:** TMR2 to PR2 Match Interrupt Flag bit  
 1 = TMR2 to PR2 match occurred (must be cleared in software)  
 0 = No TMR2 to PR2 match occurred
- bit 0 **TMR1IF:** TMR1 Overflow Interrupt Flag bit  
 1 = TMR1 register overflowed (must be cleared in software)  
 0 = TMR1 register did not overflow

Legend:

R = Readable bit	W = Writable bit	U = Unimplemented bit, read as '0'
- n = Value at POR	'1' = Bit is set	'0' = Bit is cleared    x = Bit is unknown

## 2.2.2.6 PIE2 REGISTER

This register contains the individual enable bits for the SSP bus collision and low voltage detect interrupts.

### REGISTER 2-6: PERIPHERAL INTERRUPT ENABLE REGISTER 2 (PIE2: 8Dh)

R/W-0	U-0	U-0	U-0	R/W-0	U-0	U-0	U-0
LVDIE	—	—	—	BCLIE	—	—	—
bit 7				bit 0			

bit 7      **LVDIE:** Low Voltage Detect Interrupt Enable bit

1 = LVD Interrupt is enabled  
0 = LVD Interrupt is disabled

bit 6-4    **Unimplemented:** Read as '0'

bit 3      **BCLIE:** Bus Collision Interrupt Enable bit

1 = Bus Collision interrupt is enabled  
0 = Bus Collision interrupt is disabled

bit 2-0    **Unimplemented:** Read as '0'

**Legend:**

R = Readable bit	W = Writable bit	U = Unimplemented bit, read as '0'
- n = Value at POR	'1' = Bit is set	'0' = Bit is cleared    x = Bit is unknown

# PIC16C717/770/771

## 2.2.2.7 PIR2 REGISTER

This register contains the SSP Bus Collision and low-voltage detect interrupt flag bits.

**Note:** Interrupt flag bits get set when an interrupt condition occurs, regardless of the state of its corresponding enable bit or the global enable bit, GIE (INTCON<7>). User software should ensure the appropriate interrupt flag bits are clear prior to enabling an interrupt.

### REGISTER 2-7: PERIPHERAL INTERRUPT REGISTER 2 (PIR2: 0Dh)

R/W-0	U-0	U-0	U-0	R/W-0	U-0	U-0	U-0
LVDIF	—	—	—	BCLIF	—	—	—
bit 7							bit 0

- bit 7     **LVDIF:** Low Voltage Detect Interrupt Flag bit  
1 = The supply voltage has fallen below the specified LVD voltage (must be cleared in software)  
0 = The supply voltage is greater than the specified LVD voltage
- bit 6-4   **Unimplemented:** Read as '0'
- bit 3     **BCLIF:** Bus Collision Interrupt Flag bit  
1 = A bus collision has occurred while the SSP module configured in I<sup>2</sup>C Master was transmitting (must be cleared in software)  
0 = No bus collision occurred
- bit 2-0   **Unimplemented:** Read as '0'

**Legend:**

R = Readable bit           W = Writable bit           U = Unimplemented bit, read as '0'  
- n = Value at POR        '1' = Bit is set           '0' = Bit is cleared       x = Bit is unknown

## 2.2.2.8 PCON REGISTER

The Power Control (PCON) register contains a flag bit to allow differentiation between a Power-on Reset (POR) to an external  $\overline{\text{MCLR}}$  Reset or WDT Reset. Those devices with brown-out detection circuitry contain an additional bit to differentiate a Brown-out Reset condition from a Power-on Reset condition.

The PCON register also contains the frequency select bit of the INTRC or ER oscillator.

**Note:**  $\overline{\text{BOR}}$  is unknown on Power-on Reset. It must then be set by the user and checked on subsequent RESETS to see if  $\overline{\text{BOR}}$  is clear, indicating a brown-out has occurred. The  $\overline{\text{BOR}}$  status bit is a don't care and is not necessarily predictable if the brown-out circuit is disabled (by clearing the BODEN bit in the Configuration word).

### REGISTER 2-8: POWER CONTROL REGISTER (PCON: 8Eh)

	U-0	U-0	U-0	U-0	R/W-1	U-0	R/W-q	R/W-q
	—	—	—	—	OSCF	—	$\overline{\text{POR}}$	$\overline{\text{BOR}}$
	bit 7							bit 0

bit 7-4 **Unimplemented:** Read as '0'

bit 3 **OSCF:** Oscillator Speed bit

INTRC Mode

1 = 4 MHz nominal

0 = 37 kHz nominal

ER Mode

1 = Oscillator frequency depends on the external resistor value on the OSC1 pin.

0 = 37 kHz nominal

All other modes

x = Ignored

bit 2 **Unimplemented:** Read as '0'

bit 1 **POR:** Power-on Reset Status bit

1 = No Power-on Reset occurred

0 = A Power-on Reset occurred (must be set in software after a Power-on Reset occurs)

bit 0 **BOR:** Brown-out Reset Status bit (See Section 2.2.2.8 Note)

1 = No Brown-out Reset occurred

0 = A Brown-out Reset occurred (must be set in software after a Brown-out Reset occurs)

Legend:		q = Value depends on conditions
R = Readable bit	W = Writable bit	U = Unimplemented bit, read as '0'
- n = Value at POR	'1' = Bit is set	'0' = Bit is cleared    x = Bit is unknown

# PIC16C717/770/771

## 2.3 PCL and PCLATH

The program counter (PC) specifies the address of the instruction to fetch for execution. The PC is 13 bits wide. The low byte is called the PCL register. This register is readable and writable. The high byte is called the PCH register. This register contains the PC<12:8> bits and is not directly readable or writable. All updates to the PCH register occur through the PCLATH register.

### 2.3.1 PROGRAM MEMORY PAGING

PIC16C717/770/771 devices are capable of addressing a continuous 8K word block of program memory. The CALL and GOTO instructions provide only 11 bits of address to allow branching within any 2K program memory page. When doing a CALL or GOTO instruction, the upper 2 bits of the address are provided by PCLATH<4:3>. When doing a CALL or GOTO instruction, the user must ensure that the page select bits are programmed so that the desired program memory page is addressed. A return instruction pops a PC address off the stack onto the PC register. Therefore, manipulation of the PCLATH<4:3> bits are not required for the return instructions (which POPs the address from the stack).

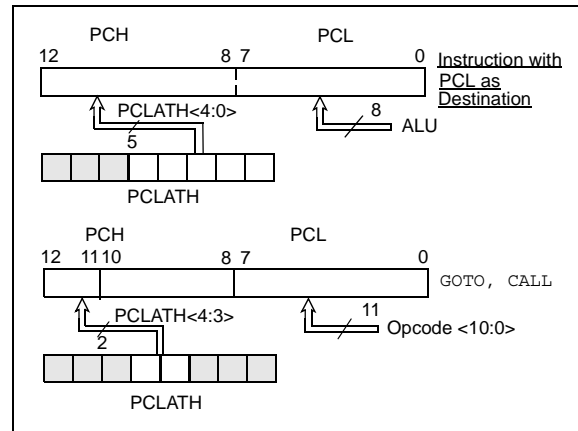
## 2.4 Stack

The stack allows a combination of up to 8 program calls and interrupts to occur. The stack contains the return address from this branch in program execution.

Mid-range devices have an 8-level deep x 13-bit wide hardware stack. The stack space is not part of either program or data space and the stack pointer is not readable or writable. The PC is PUSHed onto the stack when a CALL instruction is executed or an interrupt causes a branch. The stack is POPed in the event of a RETURN, RETLW or a RETFIE instruction execution. PCLATH is not modified when the stack is PUSHed or POPed.

After the stack has been PUSHed eight times, the ninth push overwrites the value that was stored from the first push. The tenth push overwrites the second push (and so on).

**FIGURE 2-4: LOADING OF PC IN DIFFERENT SITUATIONS**





The INDF register is not a physical register. Addressing INDF actually addresses the register whose address is contained in the FSR register (FSR is a *pointer*). This is indirect addressing.

Reading INDF itself indirectly (FSR = 0) will produce 00h. Writing to the INDF register indirectly results in a no-operation (although STATUS bits may be affected).

A simple program to clear RAM locations 20h-2Fh using indirect addressing is shown in Example 2-1.

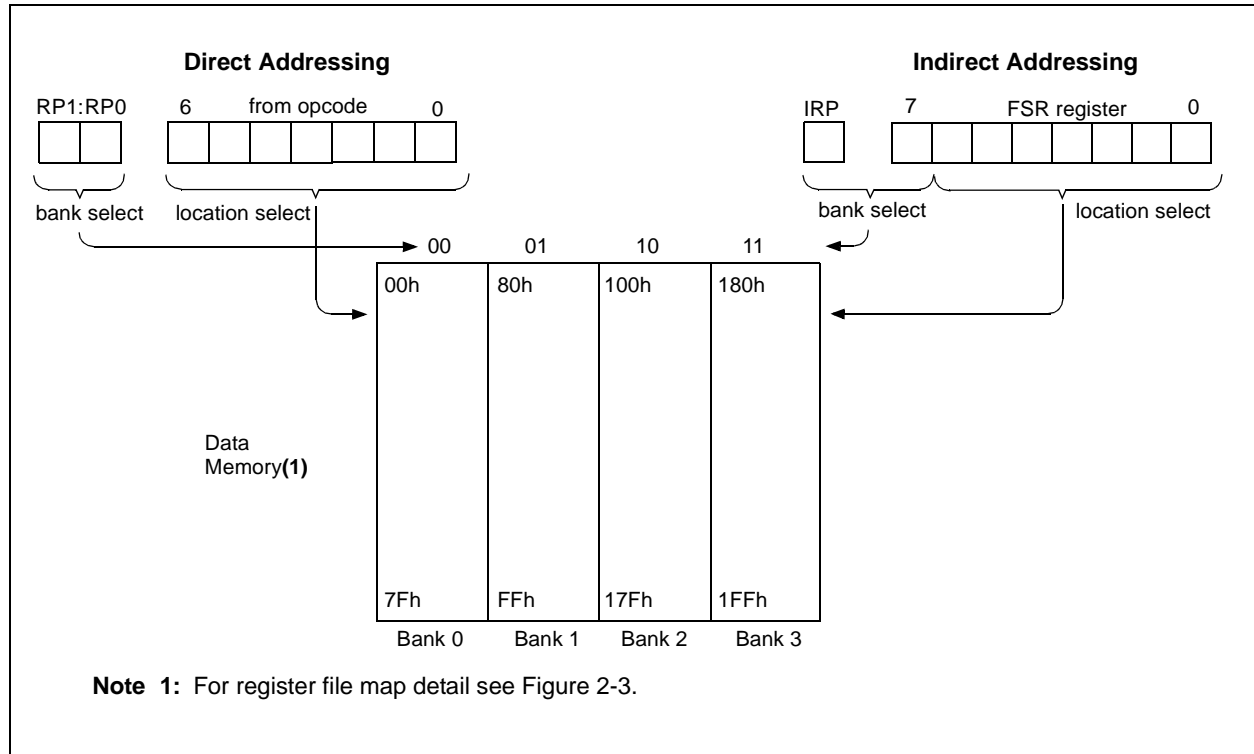
## EXAMPLE 2-1: How to Clear RAM Using Indirect Addressing

```

movlw 0x20 ;initialize pointer
movwf FSR ; to RAM
NEXT  clrf INDF ;clear INDF register
      incf FSR ;inc pointer
      btfss FSR,4 ;all done?
      goto NEXT ;NO, clear next
CONTINUE
      : ;YES, continue
    
```

An effective 9-bit address is obtained by concatenating the 8-bit FSR register and the IRP bit (STATUS<7>), as shown in Figure 2-5.

FIGURE 2-5: DIRECT/INDIRECT ADDRESSING



# PIC16C717/770/771

---

---

NOTES:

## 3.0 I/O PORTS

Some pins for these I/O ports are multiplexed with an alternate function for the peripheral features on the device. In general, when a peripheral is enabled, that pin may not be used as a general purpose I/O pin.

Additional information on I/O ports may be found in the PICmicro™ Mid-Range MCU Family Reference Manual, (DS33023).

### 3.1 I/O Port Analog/Digital Mode

The PIC16C717/770/771 have two I/O ports: PORTA and PORTB. Some of these port pins are mixed-signal (can be digital or analog). When an analog signal is

present on a pin, the pin must be configured as an analog input to prevent unnecessary current draw from the power supply. The Analog Select Register (ANSEL) allows the user to individually select the Digital/Analog mode on these pins. When the Analog mode is active, the port pin will always read 0.

**Note 1:** On a Power-on Reset, the ANSEL register configures these mixed-signal pins as Analog mode.

**2:** If a pin is configured as Analog mode, the RA pin will always read '0' and RB pin will always read '1', even if the digital output is active.

#### REGISTER 3-1: ANALOG SELECT REGISTER (ANSEL: 9Dh)

R/W-1	R/W-1	R/W-1	R/W-1	R/W-1	R/W-1	R/W-1	R/W-1
—	—	ANS5	ANS4	ANS3	ANS2	ANS1	ANS0
bit 7						bit 0	

bit 7-6 **Reserved:** Do not use

bit 5-0 **ANS<5:0>:** Analog Select between analog or digital function on pins AN<5:0>, respectively.  
 0 = Digital I/O. Pin is assigned to port or special function.  
 1 = Analog Input. Pin is assigned as analog input.

**Note:** Setting a pin to an analog input disables the digital input buffer on the pin. The corresponding TRIS bit should be set to Input mode when using pins as analog inputs.

#### Legend:

R = Readable bit      W = Writable bit      U = Unimplemented bit, read as '0'  
 - n = Value at POR      '1' = Bit is set      '0' = Bit is cleared      x = Bit is unknown

## 3.2 PORTA and the TRISA Register

PORTA is a 8-bit wide bi-directional port. The corresponding data direction register is TRISA. Setting a TRISA bit (=1) will make the corresponding PORTA pin an input (i.e., put the corresponding output driver in a Hi-impedance mode). Clearing a TRISA bit (=0) will make the corresponding PORTA pin an output (i.e., put the contents of the output latch on the selected pin).

Reading the PORTA register reads the status of the pins, whereas writing to it will write to the port latch. All write operations are read-modify-write operations. Therefore, a write to a port implies that the port pins are read, this value is modified, and then written to the port data latch.

Pins RA<3:0> are multiplexed with analog functions, such as analog inputs to the A/D converter, analog VREF inputs, and the onboard bandgap reference outputs. When the analog peripherals are using any of

these pins as analog input/output, the ANSEL register must have the proper value to individually select the Analog mode of the corresponding pins.

**Note:** Upon RESET, the ANSEL register configures the RA<3:0> pins as analog inputs. All RA<3:0> pins will read as '0'.

Pin RA4 is multiplexed with the Timer0 module clock input to become the RA4/T0CKI pin. The RA4/T0CKI pin is a Schmitt Trigger input and an open drain output.

Pin RA5 is multiplexed with the device RESET (MCLR) and programming input (VPP) functions. The RA5/MCLR/VPP input only pin has a Schmitt Trigger input buffer. All other RA port pins have Schmitt Trigger input buffers and full CMOS output buffers.

Pins RA6 and RA7 are multiplexed with the oscillator input and output functions.

The TRISA register controls the direction of the RA pins, even when they are being used as analog inputs. The user must ensure the bits in the TRISA register are maintained set when using them as analog inputs.

# PIC16C717/770/771

## EXAMPLE 3-1: Initializing PORTA

```

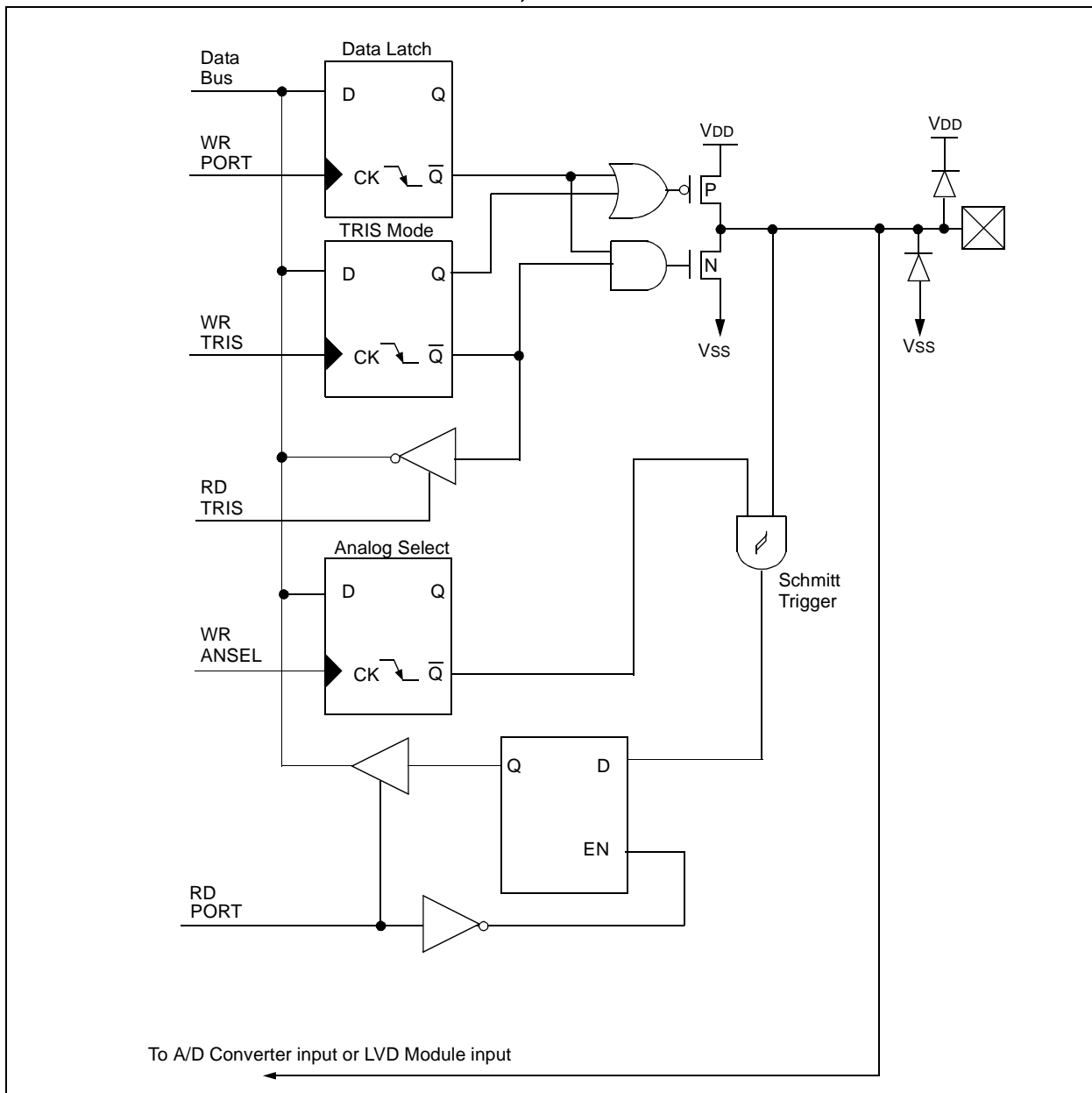
BCF STATUS, RP0 ; Select Bank 0
CLRF PORTA      ; Initialize PORTA by
                ; clearing output
                ; data latches

BSF STATUS, RP0 ; Select Bank 1
MOVLW 0Fh       ; Value used to
                ; initialize data
                ; direction

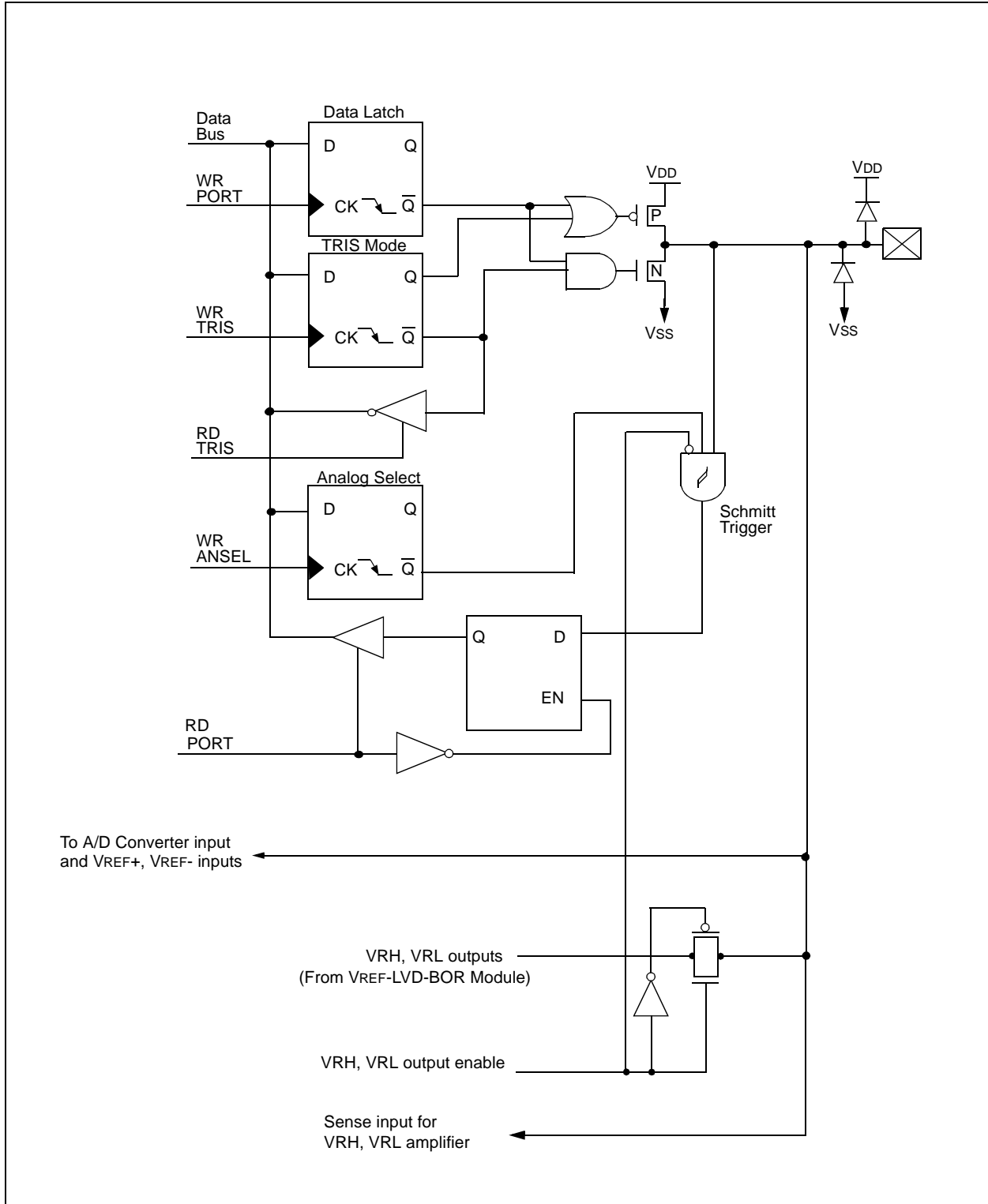
MOVWF TRISA     ; Set RA<3:0> as inputs
                ; RA<7:4> as outputs. RA<7:6>availability depends on oscillator selection.

MOVLW 03        ; Set RA<1:0> as analog inputs, RA<7:2> are digital I/O
MOVWF ANSEL
BCF STATUS, RP0 ; Return to Bank 0
    
```

FIGURE 3-1: BLOCK DIAGRAM OF RA0/AN0, RA1/AN1/LVDIN



**FIGURE 3-2: BLOCK DIAGRAM OF RA2/AN2/VREF-/VRL AND RA3/AN3/VREF+/VRH**



# PIC16C717/770/771

FIGURE 3-3: BLOCK DIAGRAM OF RA4/T0CKI

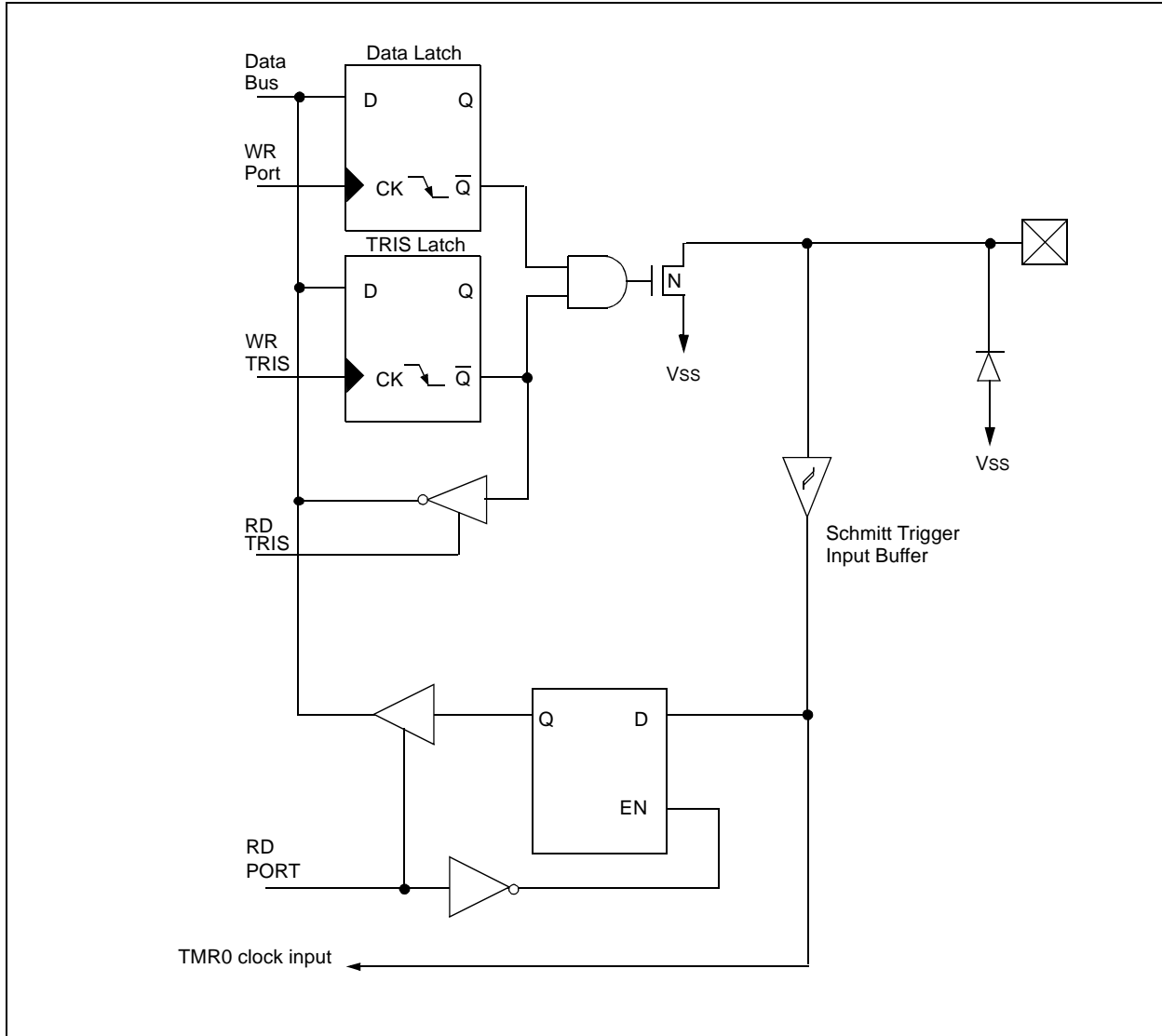
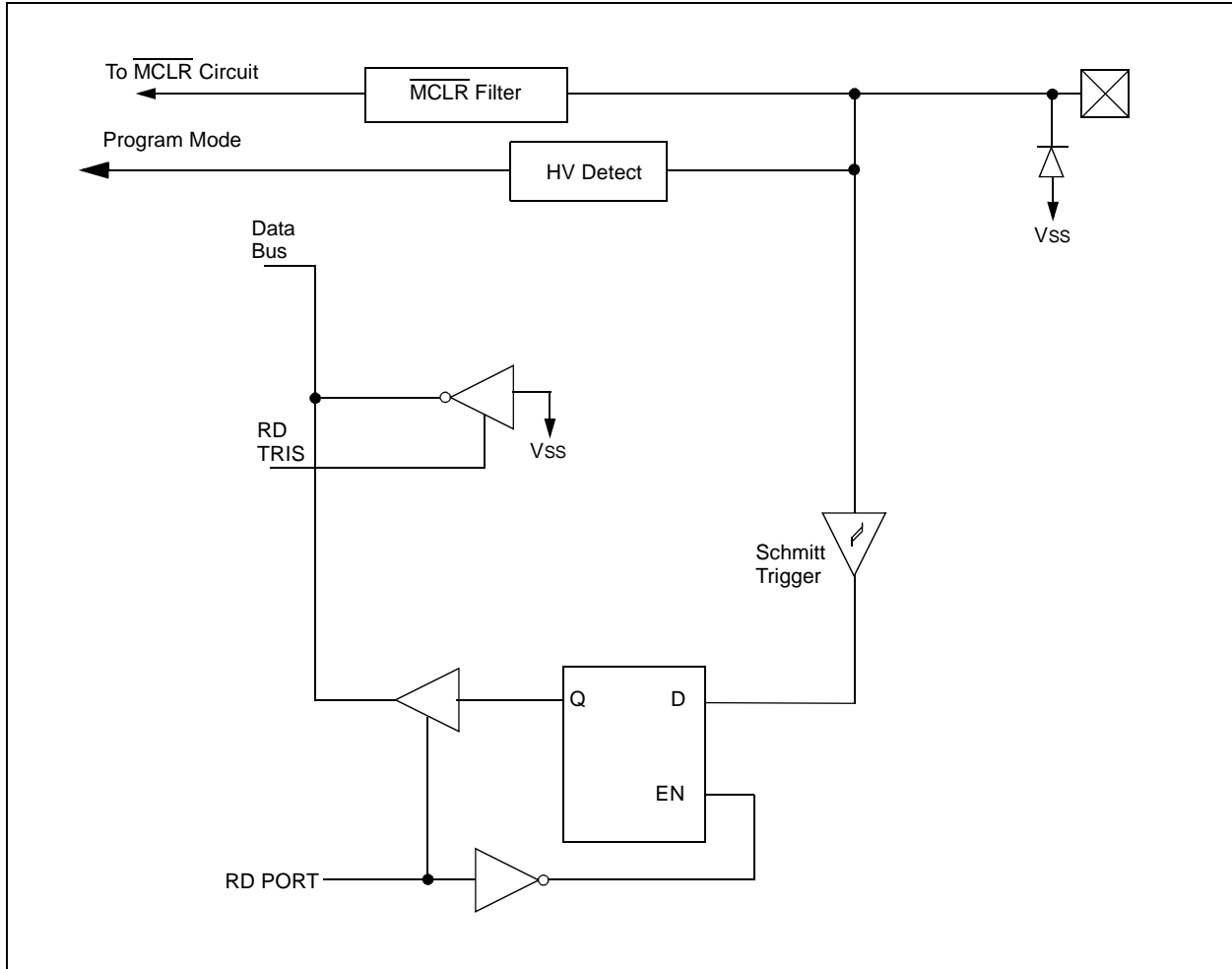
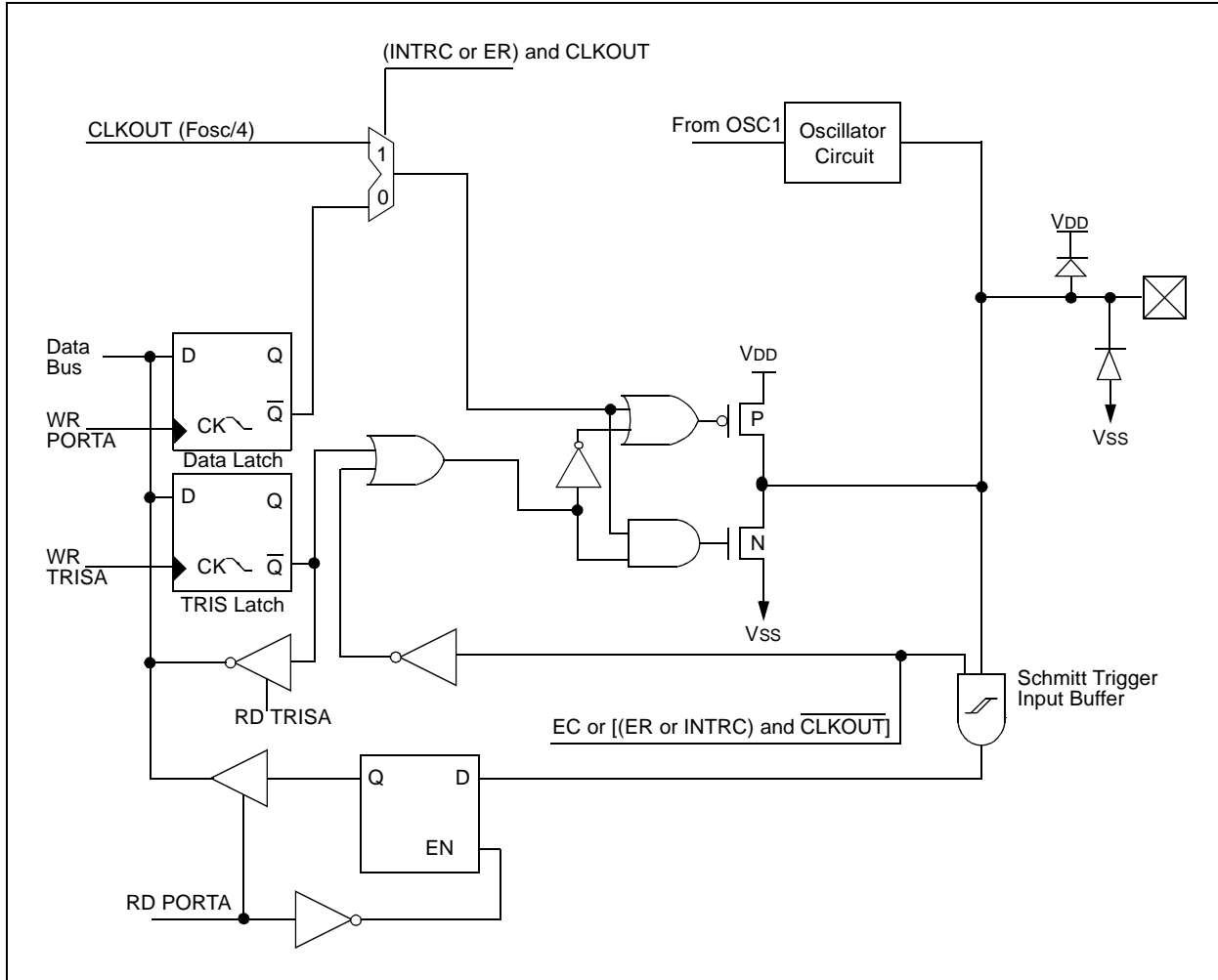


FIGURE 3-4: BLOCK DIAGRAM OF RA5/MCLR/VPP



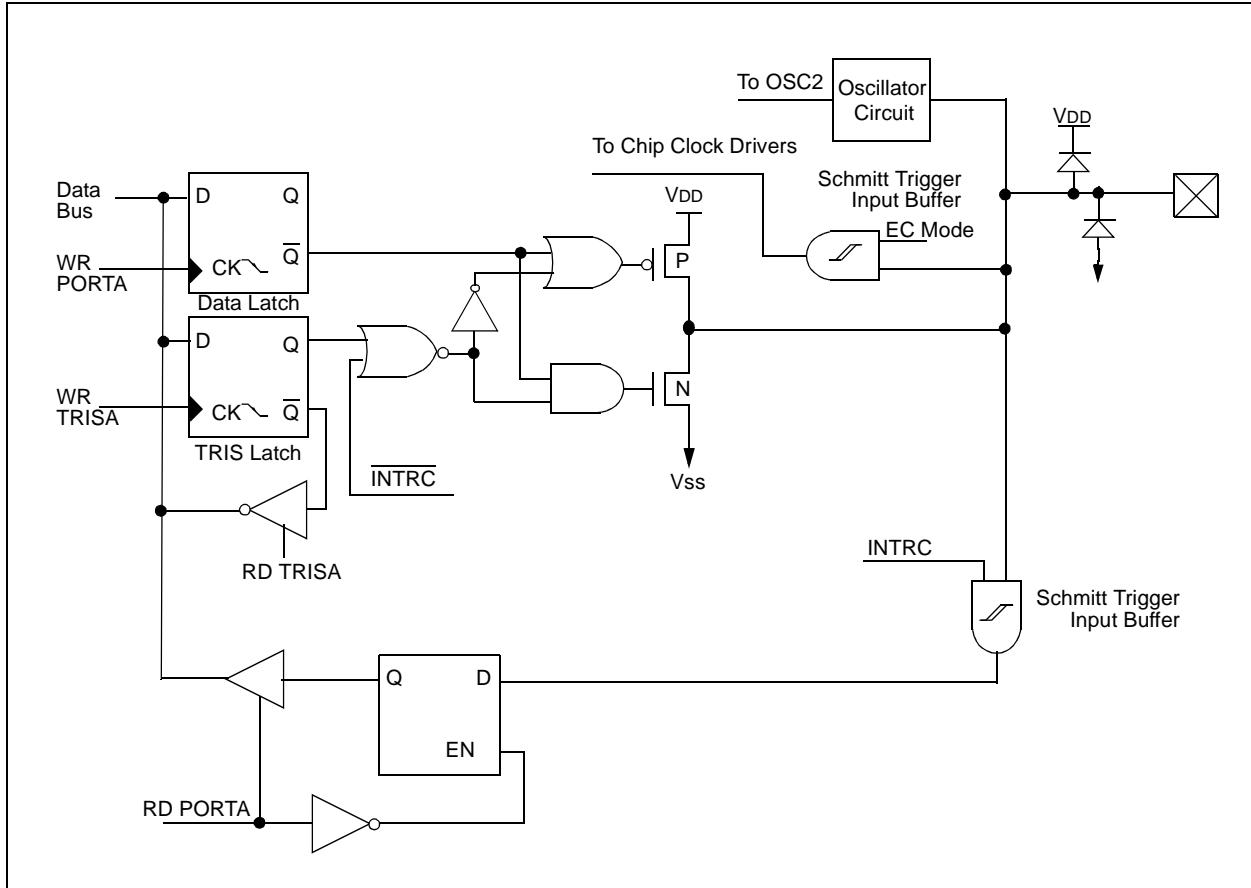
# PIC16C717/770/771

FIGURE 3-5: BLOCK DIAGRAM OF RA6/OSC2/CLKOUT PIN





**FIGURE 3-6: BLOCK DIAGRAM OF RA7/OSC1/CLKIN PIN**



# PIC16C717/770/771

**TABLE 3-1: PORTA FUNCTIONS**

Name	Function	Input Type	Output Type	Description
RA0/AN0	RA0	ST	CMOS	Bi-directional I/O
	AN0	AN		A/D input
RA1/AN1/LVDIN	RA1	ST	CMOS	Bi-directional I/O
	AN1	AN		A/D input
	LVDIN	AN		LVD input reference
RA2/AN2/VREF-/VRL	RA2	ST	CMOS	Bi-directional I/O
	AN2	AN		A/D input
	VREF-	AN		Negative analog reference input
	VRL		AN	Internal voltage reference low output
RA3/AN3/VREF+/VRH	RA3	ST	CMOS	Bi-directional I/O
	AN3	AN		A/D input
	VREF+	AN		Positive analog reference input
	VRH		AN	Internal voltage reference high output
RA4/T0CKI	RA4	ST	OD	Bi-directional I/O
	T0CKI	ST		TMR0 clock input
RA5/MCLR/VPP	RA5	ST		Input port
	MCLR	ST		Master clear
	VPP	Power		Programming voltage
RA6/OSC2/CLKOUT	RA6	ST	CMOS	Bi-directional I/O
	OSC2		XTAL	Crystal/resonator
	CLKOUT		CMOS	Fosc/4 output
RA7/OSC1/CLKIN	RA7	ST	CMOS	Bi-directional I/O
	OSC1	XTAL		Crystal/resonator
	CLKIN	ST/AN		External clock input/ER resistor connection

**TABLE 3-2: SUMMARY OF REGISTERS ASSOCIATED WITH PORTA**

Address	Name	Bit 7	Bit 6	Bit 5	Bit 4	Bit 3	Bit 2	Bit 1	Bit 0	Value on: POR, BOR	Value on all other RESETS
05h	PORTA	RA7	RA6	RA5	RA4	RA3	RA2	RA1	RA0	xxxx 0000	uuuu 0000
85h	TRISA	PORTA Data Direction Register								1111 1111	1111 1111
9Dh	ANSEL	—	—	ANS5	ANS4	ANS3	ANS2	ANS1	ANS0	--11 1111	--11 1111

Legend: x = unknown, u = unchanged, - = unimplemented locations read as '0'. Shaded cells are not used by PORTA.

## 3.3 PORTB and the TRISB Register

PORTB is an 8-bit wide bi-directional port. The corresponding data direction register is TRISB. Setting a TRISB bit (=1) will make the corresponding PORTB pin an input (i.e., put the corresponding output driver in a Hi-impedance mode). Clearing a TRISB bit (=0) will make the corresponding PORTB pin an output (i.e., put the contents of the output latch on the selected pin).

### EXAMPLE 3-2: Initializing PORTB

```
BCF    STATUS, RP0 ;
CLRF   PORTB      ; Initialize PORTB by
                ; clearing output
                ; data latches
BSF    STATUS, RP0 ; Select Bank 1
MOVLW  0xCF       ; Value used to
                ; initialize data
                ; direction
MOVWF  TRISB      ; Set RB<3:0> as inputs
                ; RB<5:4> as outputs
                ; RB<7:6> as inputs
MOVLW  0x30       ; Set RB<1:0> as analog
                ; inputs
MOVWF  ANSEL      ;
BCF    STATUS, RP0 ; Return to Bank 0
```

Each of the PORTB pins has an internal pull-up, which can be individually enabled from the WPUB register. A single global enable bit can turn on/off the enabled pull-ups. Clearing the `RBPUP` bit, (`OPTION_REG<7>`), enables the weak pull-up resistors. The weak pull-up is automatically turned off when the port pin is configured as an output. The pull-ups are disabled on a Power-on Reset.

Each of the PORTB pins, if configured as input, also has an interrupt-on-change feature, which can be individually selected from the IOCB register. The RBIE bit in the INTCON register functions as a global enable bit to turn on/off the interrupt-on-change feature. The selected inputs are compared to the old value latched on the last read of PORTB. The "mismatch" outputs are OR'ed together to generate the RB Port Change Interrupt with flag bit RBIF (`INTCON<0>`).

This interrupt can wake the device from SLEEP. The user, in the interrupt service routine, can clear the interrupt in the following manner:

- a) Any read or write of PORTB. This will end the mismatch condition.
- a) Clear flag bit RBIF.

A mismatch condition will continue to set flag bit RBIF. Reading PORTB will end the mismatch condition and allow flag bit RBIF to be cleared.

The interrupt-on-change feature is recommended for wake-up on key depression operation and operations where PORTB is only used for the interrupt-on-change feature. Polling of PORTB is not recommended while using the interrupt-on-change feature.

# PIC16C717/770/771

## REGISTER 3-2: WEAK PULL-UP PORTB REGISTER (WPUB: 95h)

R/W-1	R/W-1	R/W-1	R/W-1	R/W-1	R/W-1	R/W-1	R/W-1
WPUB7	WPUB6	WPUB5	WPUB4	WPUB3	WPUB2	WPUB1	WPUB0

bit 7 bit 0

bit 7-0 **WPUB<7:0>**: PORTB Weak Pull-Up Control bits

1 = Weak pull-up enabled  
0 = Weak pull-up disabled

**Note 1:** For the WPUB register setting to take effect, the  $\overline{\text{RBPU}}$  bit in the OPTION\_REG register must be cleared.

**2:** The weak pull-up device is automatically disabled if the pin is in Output mode (TRIS = 0).

Legend:

R = Readable bit	W = Writable bit	U = Unimplemented bit, read as '0'
- n = Value at POR	'1' = Bit is set	'0' = Bit is cleared    x = Bit is unknown

## REGISTER 3-3: INTERRUPT-ON-CHANGE PORTB REGISTER (IOCB: 96h)

R/W-1	R/W-1	R/W-1	R/W-1	R/W-0	R/W-0	R/W-0	R/W-0
IOCB7	IOCB6	IOCB5	IOCB4	IOCB3	IOCB2	IOCB1	IOCB0

bit 7 bit 0

bit 7-0 **IOCB<7:0>**: Interrupt-on-Change PORTB Control bits

1 = Interrupt-on-change enabled  
0 = Interrupt-on-change disabled

**Note:** The interrupt enable bits GIE and RBIE in the INTCON Register must be set for individual interrupts to be recognized.

Legend:

R = Readable bit	W = Writable bit	U = Unimplemented bit, read as '0'
- n = Value at POR	'1' = Bit is set	'0' = Bit is cleared    x = Bit is unknown

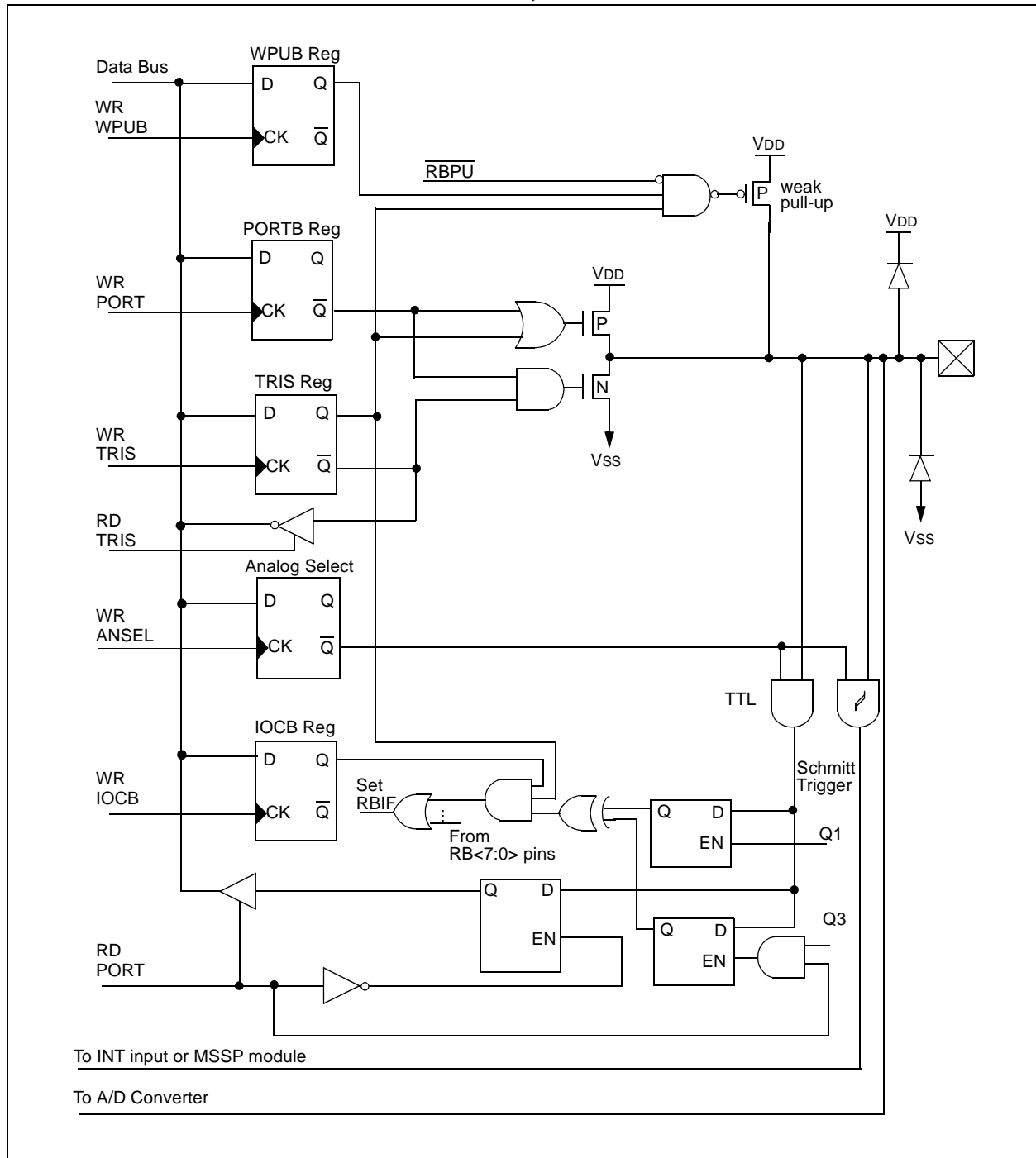
# PIC16C717/770/771

The RB0 pin is multiplexed with the A/D converter analog input 4 and the external interrupt input (RB0/AN4/INT). When the pin is used as analog input, the ANSEL register must have the proper value to select the RB0 pin as Analog mode.

The RB1 pin is multiplexed with the A/D converter analog input 5 and the MSSP module slave select input (RB1/AN5/SS). When the pin is used as analog input, the ANSEL register must have the proper value to select the RB1 pin as Analog mode.

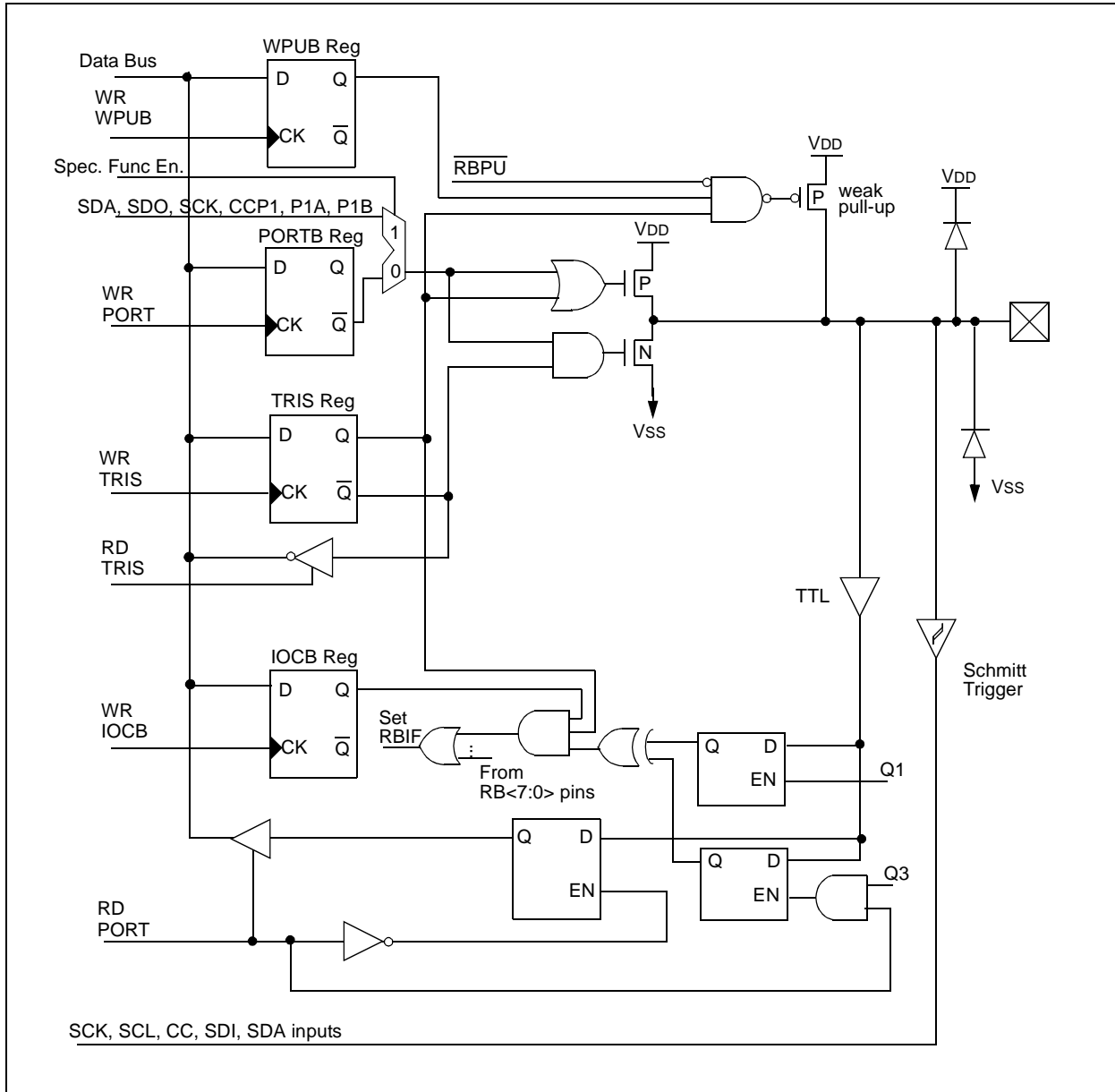
**Note:** Upon RESET, the ANSEL register configures the RB1 and RB0 pins as analog inputs. Both RB1 and RB0 pins will read as '1'.

**FIGURE 3-7: BLOCK DIAGRAM OF RB0/AN4/INT, RB1/AN5/SS PIN**

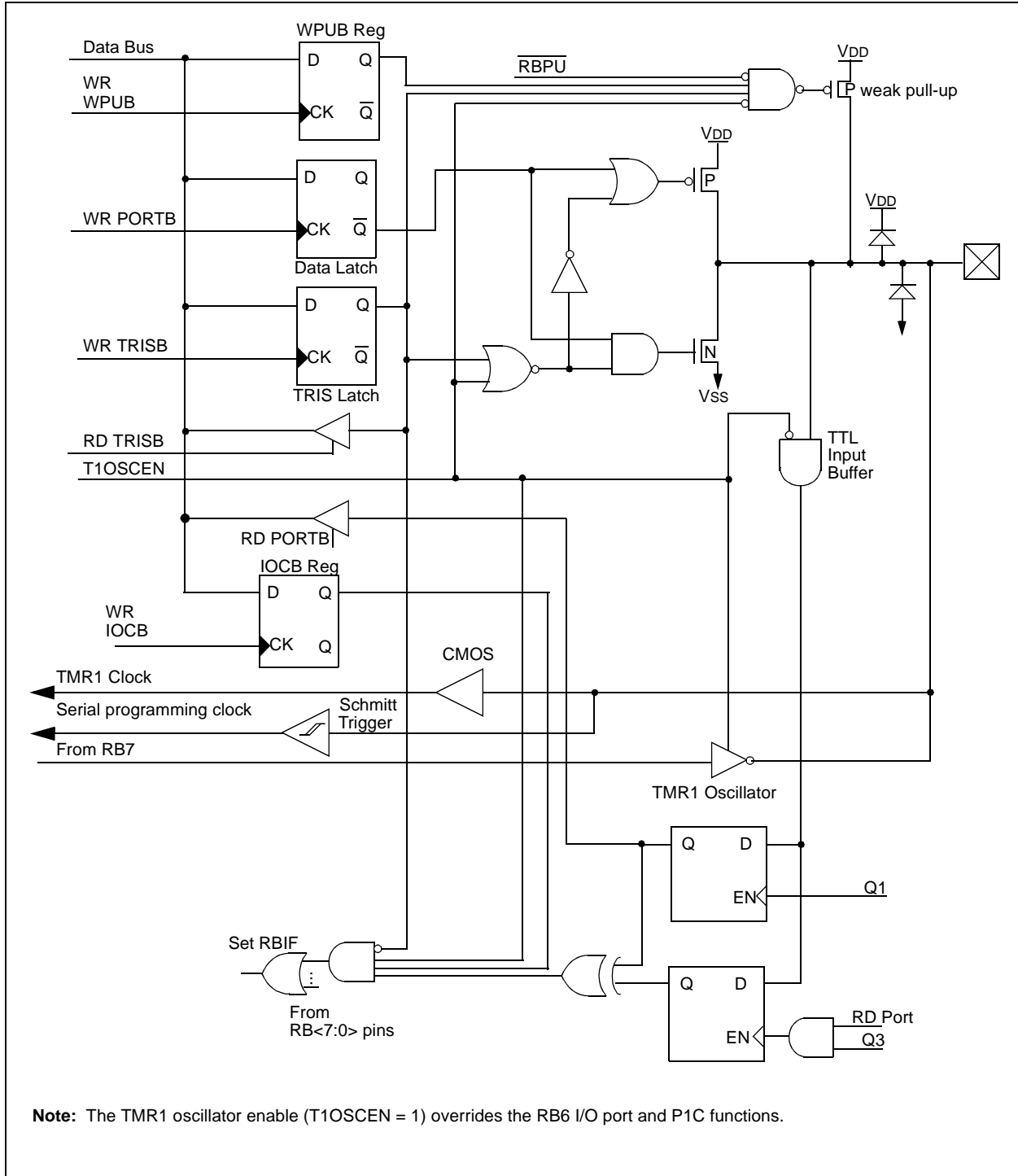


# PIC16C717/770/771

**FIGURE 3-8: BLOCK DIAGRAM OF RB2/SCK/SCL, RB3/CCP1/P1A, RB4/SDI/SDA, RB5/SDO/P1B**

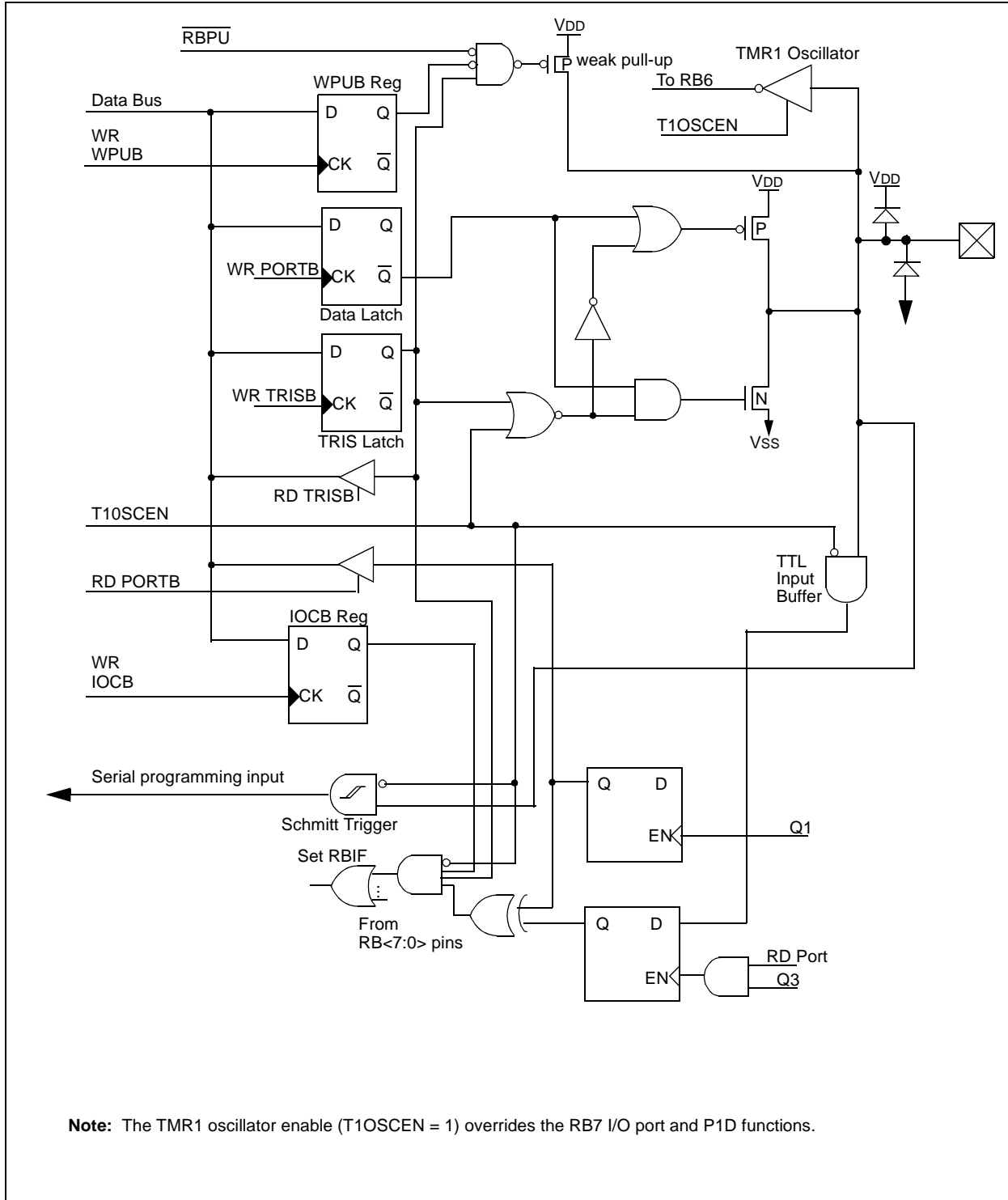


**FIGURE 3-9: BLOCK DIAGRAM OF RB6/T1OSO/T1CKI/P1C**



# PIC16C717/770/771

FIGURE 3-10: BLOCK DIAGRAM OF THE RB7/T1OSI/P1D





**TABLE 3-3: PORTB FUNCTIONS**

Name	Function	Input Type	Output Type	Description
RB0/AN4/INT	RB0	TTL	CMOS	Bi-directional I/O <sup>(1)</sup>
	AN4	AN		A/D input
	INT	ST		Interrupt input
RB1/AN5/ $\overline{SS}$	RB1	TTL	CMOS	Bi-directional I/O <sup>(1)</sup>
	AN5	AN		A/D input
	$\overline{SS}$	ST		SSP slave select input
RB2/SCK/SCL	RB2	TTL	CMOS	Bi-directional I/O <sup>(1)</sup>
	SCK	ST	CMOS	Serial clock I/O for SPI
	SCL	ST	OD	Serial clock I/O for I <sup>2</sup> C
RB3/CCP1/P1A	RB3	TTL	CMOS	Bi-directional I/O <sup>(1)</sup>
	CCP1	ST	CMOS	Capture 1 input/Compare 1 output
	P1A		CMOS	PWM P1A output
RB4/SDI/SDA	RB4	TTL	CMOS	Bi-directional I/O <sup>(1)</sup>
	SDI	ST		Serial data in for SPI
	SDA	ST	OD	Serial data I/O for I <sup>2</sup> C
RB5/SDO/P1B	RB5	TTL	CMOS	Bi-directional I/O <sup>(1)</sup>
	SDO		CMOS	Serial data out for SPI
	P1B		CMOS	PWM P1B output
RB6/T1OSO/T1CKI/P1C	RB6	TTL	CMOS	Bi-directional I/O <sup>(1)</sup>
	T1OSO		XTAL	Crystal/Resonator
	T1CKI	CMOS		TMR1 clock input
	P1C		CMOS	PWM P1C output
RB7/T1OSI/P1D	RB7	TTL	CMOS	Bi-directional I/O <sup>(1)</sup>
	T1OSI	XTAL		TMR1 crystal/resonator
	P1D		CMOS	PWM P1D output

**Note 1:** Bit programmable pull-ups.

**TABLE 3-4: SUMMARY OF REGISTERS ASSOCIATED WITH PORTB**

Address	Name	Bit 7	Bit 6	Bit 5	Bit 4	Bit 3	Bit 2	Bit 1	Bit 0	Value on: POR, BOR	Value on all other RESETS
06h, 106h	PORTB	RB7	RB6	RB5	RB4	RB3	RB2	RB1	RB0	xxxx xx11	uuuu uu11
86h, 186h	TRISB	PORTB Data Direction Register								1111 1111	1111 1111
81h, 181h	OPTION_REG	$\overline{RBPU}$	INTEDG	T0CS	T0SE	PSA	PS2	PS1	PS0	1111 1111	1111 1111
95h	WPUB	PORTB Weak Pull-up Control								1111 1111	1111 1111
96h	IOCB	PORTB Interrupt on Change Control								1111 0000	1111 0000
9Dh	ANSEL	—	—	ANS5	ANS4	ANS3	ANS2	ANS1	ANS0	--11 1111	--11 1111

Legend: x = unknown, u = unchanged. Shaded cells are not used by PORTB.

# PIC16C717/770/771

---

---

NOTES:

## 4.0 PROGRAM MEMORY READ (PMR)

Program memory is readable during normal operation (full VDD range). It is indirectly addressed through the Special Function Registers:

- PMCON1
- PMDATH
- PMDATL
- PMADRH
- PMADRL

When interfacing the program memory block, the PMDATH & PMDATL registers form a 2-byte word, which holds the 14-bit data. The PMADRH & PMADRL registers form a 2-byte word, which holds the 12-bit address of the program memory location being accessed. Mid-range devices have up to 8K words of program EPROM with an address range from 0h to 3FFFh. When the device contains less memory than the full address range of the PMADRH:PMADRL registers, the Most Significant bits of the PMADRH register are ignored.

### 4.1 PMCON1 REGISTER

PMCON1 is the control register for program memory accesses.

Control bit RD initiates a read operation. This bit cannot be cleared, only set, in software. It is cleared in hardware at completion of the read operation.

#### REGISTER 4-1: PROGRAM MEMORY READ CONTROL REGISTER 1 (PMCON1: 18Ch)

R-1	U-0	U-0	U-0	U-0	U-0	U-0	R/S-0
Reserved	—	—	—	—	—	—	RD
bit 7							bit 0

bit 7 **Reserved:** Read as '1'

bit 6-1 **Unimplemented:** Read as '0'

bit 0 **RD:** Read Control bit

1 = Initiates a Program memory read (read takes 2 cycles). RD is cleared in hardware.  
0 = Reserved

Legend:		S = Settable (cleared in hardware)
R = Readable bit	W = Writable bit	U = Unimplemented bit, read as '0'
- n = Value at POR	'1' = Bit is set	'0' = Bit is cleared    x = Bit is unknown

### 4.2 PMDATH AND PMDATL REGISTERS

The PMDATH:PMDATL registers are loaded with the contents of program memory addressed by the PMADRH and PMADRL registers upon completion of a Program Memory Read command.

# PIC16C717/770/771

## REGISTER 4-2: PROGRAM MEMORY DATA HIGH (PMDATH: 10Eh)

U-0	U-0	R-x	R-x	R-x	R-x	R-x	R-x	
—	—	PMD13	PMD12	PMD11	PMD10	PMD9	PMD8	
bit 7								bit 0

bit 7-6 **Unimplemented:** Read as '0'

bit 5-0 **PMD<13:8>:** The value of the program memory word pointed to by PMADRH and PMADRL after a Program Memory Read command.

Legend:			
R = Readable bit	W = Writable bit	U = Unimplemented bit, read as '0'	
- n = Value at POR	'1' = Bit is set	'0' = Bit is cleared	x = Bit is unknown

## REGISTER 4-3: PROGRAM MEMORY DATA LOW (PMDATL: 10Ch)

R-x	R-x	R-x	R-x	R-x	R-x	R-x	R-x	
PMD7	PMD6	PMD5	PMD4	PMD3	PMD2	PMD1	PMD0	
bit 7								bit 0

bit 7-0 **PMD<7:0>:** The value of the program memory word pointed to by PMADRH and PMADRL after a Program Memory Read command.

Legend:			
R = Readable bit	W = Writable bit	U = Unimplemented bit, read as '0'	
- n = Value at POR	'1' = Bit is set	'0' = Bit is cleared	x = Bit is unknown

## REGISTER 4-4: PROGRAM MEMORY ADDRESS HIGH (PMADRH: 10Fh)

U-0	U-0	U-0	U-0	R/W-x	R/W-x	R/W-x	R/W-x	
—	—	—	—	PMA11	PMA10	PMA9	PMA8	
bit 7								bit 0

bit 7-4 **Unimplemented:** Read as '0'

bit 3-0 **PMA<11:8>:** PMR Address bits

Legend:			
R = Readable bit	W = Writable bit	U = Unimplemented bit, read as '0'	
- n = Value at POR	'1' = Bit is set	'0' = Bit is cleared	x = Bit is unknown

## REGISTER 4-5: PROGRAM MEMORY ADDRESS LOW (PMADRL: 10Dh)

R/W-x	R/W-x	R/W-x	R/W-x	R/W-x	R/W-x	R/W-x	R/W-x	
PMA7	PMA6	PMA5	PMA4	PMA3	PMA2	PMA1	PMA0	
bit 7								bit 0

bit 7-0 **PMA<7:0>:** PMR Address bits

Legend:			
R = Readable bit	W = Writable bit	U = Unimplemented bit, read as '0'	
- n = Value at POR	'1' = Bit is set	'0' = Bit is cleared	x = Bit is unknown

## 4.3 READING THE EPROM PROGRAM MEMORY

To read a program memory location, the user must write 2 bytes of the address to the PMADRH and PMADRL registers, then set control bit RD (PMCON1<0>). Once the read control bit is set, the Program Memory Read (PMR) controller will use the second instruction cycle after to read the data. This causes the second instruction immediately following

the “BSF PMCON1,RD” instruction to be ignored. The data is available, in the very next cycle, in the PMDATH and PMDATL registers; therefore it can be read as 2 bytes in the following instructions. PMDATH and PMDATL registers will hold this value until another Program Memory Read or until it is written to by the user.

**Note:** The two instructions that follow setting the PMCON1 read bit must be NOPS.

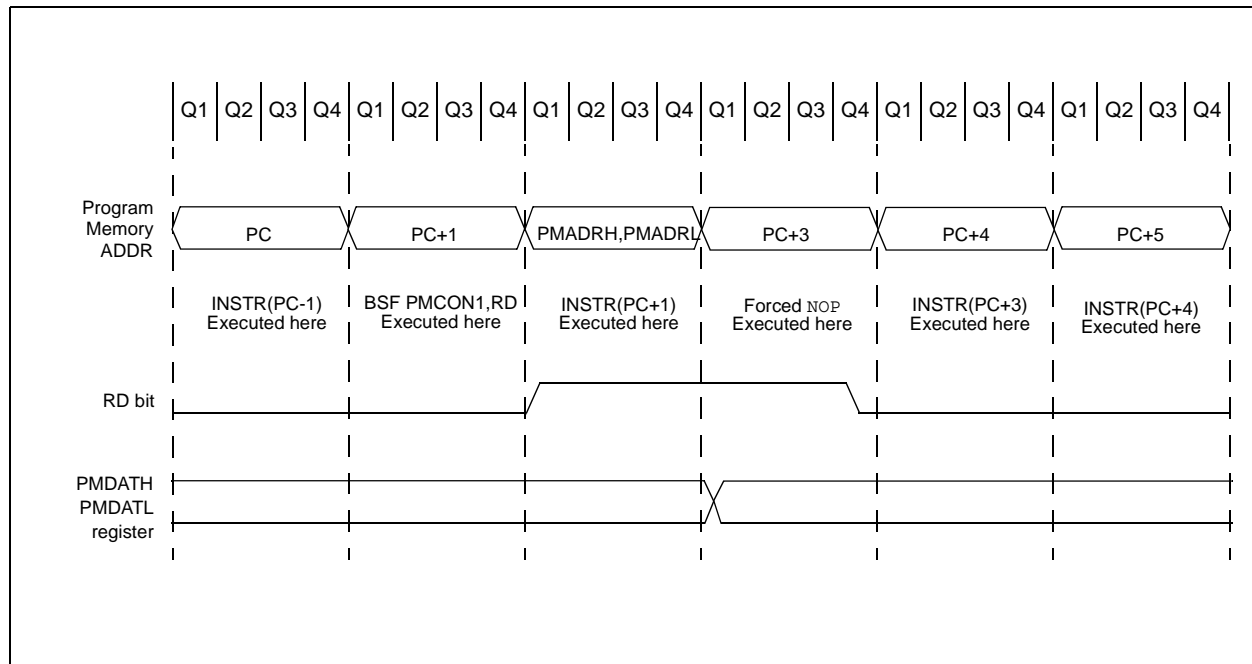
### EXAMPLE 4-1: OTP PROGRAM MEMORY Read

```
BSF    STATUS, RP1    ;
BCF    STATUS, RP0    ; Bank 2
MOVLW  MS_PROG_PM_ADDR ;
MOVWF  PMADRH         ; MS Byte of Program Memory Address to read
MOVLW  LS_PROG_PM_ADDR ;
MOVWF  PMADRL         ; LS Byte of Program Memory Address to read
BSF    STATUS, RP0    ; Bank 3
BSF    PMCON1, RD     ; Program Memory Read
NOP    ; This instruction must be an NOP
NOP    ; This instruction must be an NOP
next instruction      ; PMDATH:PMDATL now has the data
```

## 4.4 OPERATION DURING CODE PROTECT

When the device is code protected, the CPU can still perform the Program Memory Read function.

**FIGURE 4-1: PROGRAM MEMORY READ CYCLE EXECUTION**



# PIC16C717/770/771

**TABLE 4-1: PROGRAM MEMORY READ REGISTER SUMMARY**

Address	Name	Bit 7	Bit 6	Bit 5	Bit 4	Bit 3	Bit 2	Bit 1	Bit 0	Value on: POR, BOR	Value on all other RESETS
18Ch	PMCON1	Reserved	—	—	—	—	—	—	RD	1--- ---0	1--- ---0
10Eh	PMDATH	—	—	PMD13	PMD12	PMD11	PMD10	PMD9	PMD8	--xx xxxx	--uu uuuu
10Ch	PMDATL	PMD7	PMD6	PMD5	PMD4	PMD3	PMD2	PMD1	PMD0	xxxx xxxx	uuuu uuuu
10Fh	PMADRH	—	—	—	—	PMA11	PMA10	PMA9	PMA8	---- xxxx	---- uuuu
10Dh	PMADRL	PMA7	PMA6	PMA5	PMA4	PMA3	PMA2	PMA1	PMA0	xxxx xxxx	uuuu uuuu

Legend: x = unknown, u = unchanged, - = unimplemented locations read as '0'. Shaded cells are not used by Program Memory Read.

## 5.0 TIMER0 MODULE

The Timer0 module timer/counter has the following features:

- 8-bit timer/counter
- Readable and writable
- Internal or external clock select
- Edge select for external clock
- 8-bit software programmable prescaler
- Interrupt on overflow from FFh to 00h

Figure 5-1 is a simplified block diagram of the Timer0 module.

Additional information on timer modules is available in the PICmicro™ Mid-Range MCU Family Reference Manual, (DS33023).

### 5.1 Timer0 Operation

Timer0 can operate as a timer or as a counter.

Timer mode is selected by clearing bit T0CS (OPTION\_REG<5>). In Timer mode, the Timer0 module will increment every instruction cycle (without prescaler). If the TMR0 register is written, the increment is inhibited for the following two instruction cycles. The user can work around this by writing an adjusted value to the TMR0 register.

Counter mode is selected by setting bit T0CS (OPTION\_REG<5>). In Counter mode, Timer0 will increment either on every rising or falling edge of pin RA4/T0CKI. The incrementing edge is determined by the Timer0 Source Edge Select bit T0SE (OPTION\_REG<4>). Clearing bit T0SE selects the rising edge. Restrictions on the external clock input are discussed in below.

When an external clock input is used for Timer0, it must meet certain requirements. The requirements ensure the external clock can be synchronized with the internal phase clock (Tosc). Also, there is a delay in the actual incrementing of Timer0 after synchronization.

Additional information on external clock requirements is available in the PICmicro™ Mid-Range MCU Family Reference Manual, (DS33023).

### 5.2 Prescaler

An 8-bit counter is available as a prescaler for the Timer0 module, or as a postscaler for the Watchdog Timer, respectively (Figure 5-2). For simplicity, this counter is being referred to as “prescaler” throughout this data sheet. Note that there is only one prescaler available which is mutually exclusively shared between the Timer0 module and the Watchdog Timer. Thus, a prescaler assignment for the Timer0 module means that there is no prescaler for the Watchdog Timer, and vice-versa.

The prescaler is not readable or writable.

The PSA and PS<2:0> bits (OPTION\_REG<3:0>) determine the prescaler assignment and prescale ratio.

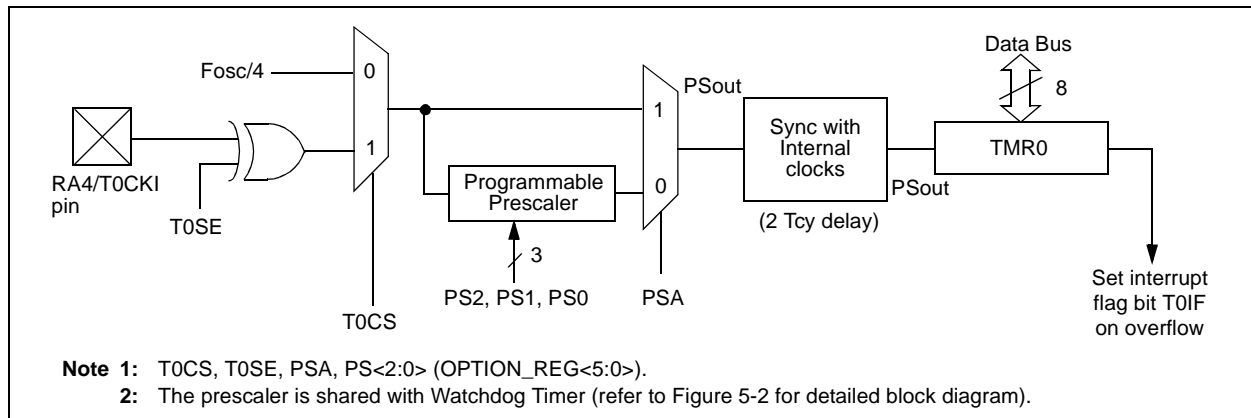
Clearing bit PSA will assign the prescaler to the Timer0 module. When the prescaler is assigned to the Timer0 module, prescale values of 1:2, 1:4, ..., 1:256 are selectable.

Setting bit PSA will assign the prescaler to the Watchdog Timer (WDT). When the prescaler is assigned to the WDT, prescale values of 1:1, 1:2, ..., 1:128 are selectable.

When assigned to the Timer0 module, all instructions writing to the TMR0 register (e.g. CLRF 1, MOVWF 1, BSF 1, x...etc.) will clear the prescaler. When assigned to WDT, a CLRWDT instruction will clear the prescaler along with the WDT.

**Note:** Writing to TMR0 when the prescaler is assigned to Timer0 will clear the prescaler count, but will not change the prescaler assignment.

**FIGURE 5-1: TIMER0 BLOCK DIAGRAM**



# PIC16C717/770/771

## 5.2.1 SWITCHING PRESCALER ASSIGNMENT

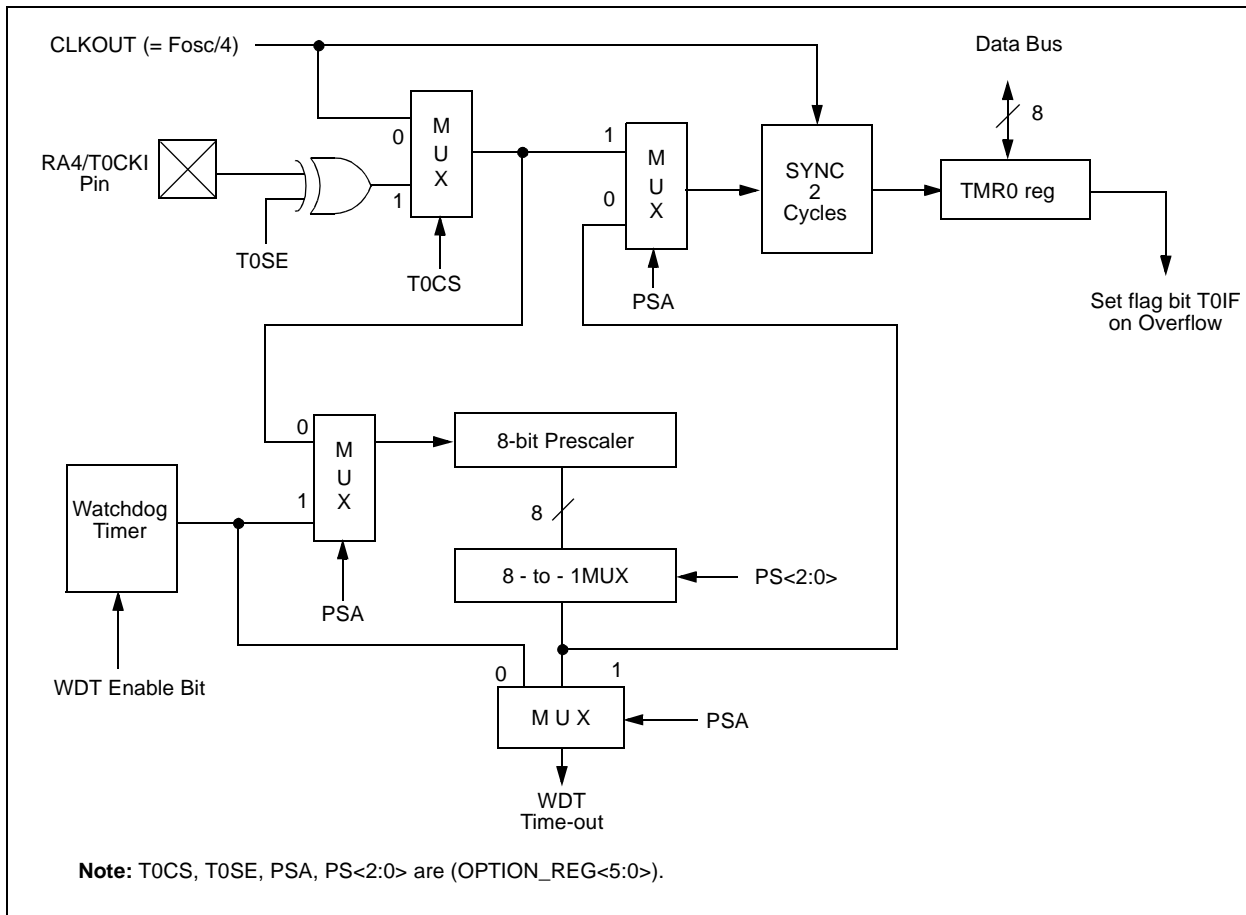
The prescaler assignment is fully under software control (i.e., it can be changed “on-the-fly” during program execution).

**Note:** To avoid an unintended device RESET, a specific instruction sequence (shown in the PICmicro™ Mid-Range Reference Manual, DS33023) must be executed when changing the prescaler assignment from Timer0 to the WDT. This sequence must be followed even if the WDT is disabled.

## 5.3 Timer0 Interrupt

The TMR0 interrupt is generated when the TMR0 register overflows from FFh to 00h. This overflow sets bit T0IF (INTCON<2>). The interrupt can be masked by clearing bit T0IE (INTCON<5>). Bit T0IF must be cleared in software by the Timer0 module interrupt service routine before re-enabling this interrupt. The TMR0 interrupt cannot awaken the processor from SLEEP since the timer is shut off during SLEEP.

**FIGURE 5-2: BLOCK DIAGRAM OF THE TIMER0/WDT PRESCALER**



**TABLE 5-1: REGISTERS ASSOCIATED WITH TIMER0**

Address	Name	Bit 7	Bit 6	Bit 5	Bit 4	Bit 3	Bit 2	Bit 1	Bit 0	Value on: POR, BOR	Value on all other RESETS
01h,101h	TMR0	Timer0 register								xxxx xxxx	uuuu uuuu
0Bh,8Bh, 10Bh,18Bh	INTCON	GIE	PEIE	T0IE	INTE	RBIE	T0IF	INTF	RBIF	0000 000x	0000 000u
81h,181h	OPTION_REG	RBPU	INTEDG	T0CS	T0SE	PSA	PS2	PS1	PS0	1111 1111	1111 1111
85h	TRISA	PORTA Data Direction Register								1111 1111	1111 1111

Legend: x = unknown, u = unchanged, - = unimplemented locations read as '0'. Shaded cells are not used by Timer0.



## 6.0 TIMER1 MODULE

The Timer1 module timer/counter has the following features:

- 16-bit timer/counter  
(Two 8-bit registers; TMR1H and TMR1L)
- Readable and writable (Both registers)
- Internal or external clock select
- Interrupt on overflow from FFFFh to 0000h
- RESET from ECCP module trigger

Timer1 has a control register, shown in Register 6-1. Timer1 can be enabled/disabled by setting/clearing control bit TMR1ON (T1CON<0>).

Figure 6-2 is a simplified block diagram of the Timer1 module.

Additional information on timer modules is available in the PICmicro™ Mid-Range MCU Family Reference Manual, (DS33023).

### 6.1 Timer1 Operation

Timer1 can operate in one of these modes:

- As a timer
- As a synchronous counter
- As an asynchronous counter

The Operating mode is determined by the clock select bit, TMR1CS (T1CON<1>).

In Timer mode, Timer1 increments every instruction cycle. In Counter mode, it increments on every rising edge of the external clock input.

#### REGISTER 6-1: TIMER1 CONTROL REGISTER (T1CON: 10h)

	U-0	U-0	R/W-0	R/W-0	R/W-0	R/W-0	R/W-0	R/W-0	
	—	—	T1CKPS1	T1CKPS0	T1OSCEN	T1SYNC	TMR1CS	TMR1ON	
	bit 7							bit 0	
bit 7-6	<b>Unimplemented:</b> Read as '0'								
bit 5-4	<b>T1CKPS&lt;1:0&gt;:</b> Timer1 Input Clock Prescale Select bits 11 = 1:8 Prescale value 10 = 1:4 Prescale value 01 = 1:2 Prescale value 00 = 1:1 Prescale value								
bit 3	<b>T1OSCEN:</b> Timer1 Oscillator Enable Control bit 1 = Oscillator is enabled 0 = Oscillator is shut off <sup>(1)</sup>								
bit 2	<b>T1SYNC:</b> Timer1 External Clock Input Synchronization Control bit <b>TMR1CS = 1:</b> 1 = Do not synchronize external clock input 0 = Synchronize external clock input <b>TMR1CS = 0:</b> This bit is ignored. Timer1 uses the internal clock when TMR1CS = 0.								
bit 1	<b>TMR1CS:</b> Timer1 Clock Source Select bit 1 = External clock from pin RB6/T1OSO/T1CKI /P1C (on the rising edge) 0 = Internal clock (Fosc/4)								
bit 0	<b>TMR1ON:</b> Timer1 On bit 1 = Enables Timer1 0 = Stops Timer1								

**Note 1:** The oscillator inverter and feedback resistor are turned off to eliminate power drain.

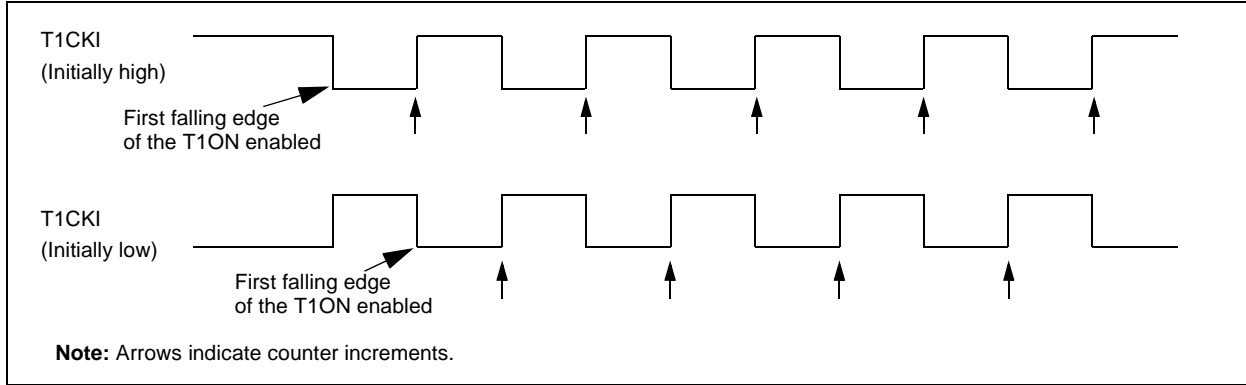
Legend:			
R = Readable bit	W = Writable bit	U = Unimplemented bit, read as '0'	
- n = Value at POR	'1' = Bit is set	'0' = Bit is cleared	x = Bit is unknown

# PIC16C717/770/771

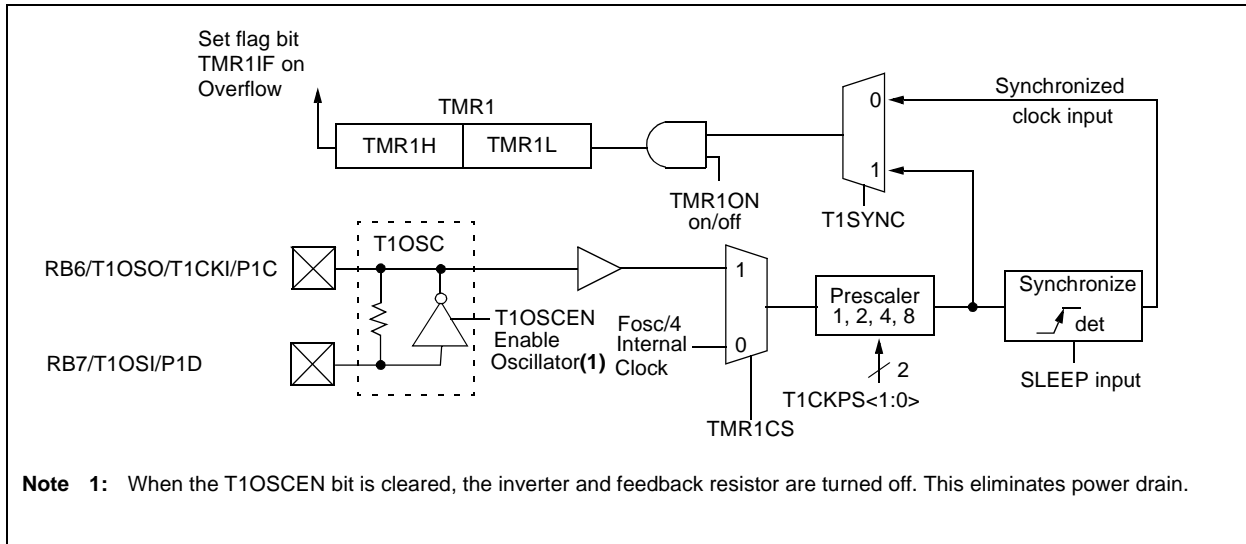
## 6.1.1 TIMER1 COUNTER OPERATION

In this mode, Timer1 is being incremented via an external source. Increments occur on a rising edge. After Timer1 is enabled in Counter mode, the module must first have a falling edge before the counter begins to increment.

**FIGURE 6-1: TIMER1 INCREMENTING EDGE**



**FIGURE 6-2: TIMER1 BLOCK DIAGRAM**



## 6.2 Timer1 Oscillator

A crystal oscillator circuit is built in between pins T1OSI (input) and T1OSO (amplifier output). It is enabled by setting control bit T1OSCEN (T1CON<3>). The oscillator is a low power oscillator rated up to 200 kHz. It will continue to run during SLEEP. It is primarily intended for a 32 kHz crystal. Table 6-1 shows the capacitor selection for the Timer1 oscillator.

The Timer1 oscillator is identical to the LP oscillator. The user must provide a software time delay to ensure proper oscillator start-up.

**TABLE 6-1: CAPACITOR SELECTION FOR THE TIMER1 OSCILLATOR**

Osc Type	Freq	C1	C2
LP	32 kHz	33 pF	33 pF
	100 kHz	15 pF	15 pF
	200 kHz	15 pF	15 pF
<b>These values are for design guidance only.</b>			
<b>Note 1:</b> Higher capacitance increases the stability of oscillator but also increases the start-up time.			
<b>2:</b> Since each resonator/crystal has its own characteristics, the user should consult the resonator/crystal manufacturer for appropriate values of external components.			

## 6.3 Timer1 Interrupt

The TMR1 Register pair (TMR1H:TMR1L) increments from 0000h to FFFFh and rolls over to 0000h. The TMR1 Interrupt, if enabled, is generated on overflow which is latched in interrupt flag bit TMR1IF (PIR1<0>). This interrupt can be enabled/disabled by setting/clearing TMR1 interrupt enable bit TMR1IE (PIE1<0>).

## 6.4 Resetting Timer1 using a CCP Trigger Output

If the ECCP module is configured in Compare mode to generate a "special event trigger" (CCP1M<3:0> = 1011), this signal will reset Timer1 and start an A/D conversion (if the A/D module is enabled).

**Note:** The special event triggers from the CCP1 module will not set interrupt flag bit TMR1IF (PIR1<0>).

Timer1 must be configured for either timer or Synchronized Counter mode to take advantage of this feature. If Timer1 is running in Asynchronous Counter mode, this RESET operation may not work.

In the event that a write to Timer1 coincides with a special event trigger from ECCP, the write will take precedence.

In this mode of operation, the CCPR1H:CCPR1L registers pair effectively becomes the period register for Timer1.

**TABLE 6-2: REGISTERS ASSOCIATED WITH TIMER1 AS A TIMER/COUNTER**

Address	Name	Bit 7	Bit 6	Bit 5	Bit 4	Bit 3	Bit 2	Bit 1	Bit 0	Value on: POR, BOR	Value on all other RESETS
0Bh,8Bh,10Bh,18Bh	INTCON	GIE	PEIE	TOIE	INTE	RBIE	TOIF	INTF	RBIF	0000 000x	0000 000u
0Ch	PIR1	—	ADIF	—	—	SSPIF	CCP1IF	TMR2IF	TMR1IF	-0-- 0000	-0-- 0000
8Ch	PIE1	—	ADIE	—	—	SSPIE	CCP1IE	TMR2IE	TMR1IE	-0-- 0000	-0-- 0000
0Eh	TMR1L	Holding register for the Least Significant Byte of the 16-bit TMR1 register								xxxx xxxx	uuuu uuuu
0Fh	TMR1H	Holding register for the Most Significant Byte of the 16-bit TMR1 register								xxxx xxxx	uuuu uuuu
10h	T1CON	—	—	T1CKPS1	T1CKPS0	T1OSCEN	T1SYNĀ	TMR1CS	TMR1ON	--00 0000	--uu uuuu

Legend: x = unknown, u = unchanged, - = unimplemented read as '0'. Shaded cells are not used by the Timer1 module.

# PIC16C717/770/771

---

---

NOTES:

## 7.0 TIMER2 MODULE

The Timer2 module timer has the following features:

- 8-bit timer (TMR2 register)
- 8-bit period register (PR2)
- Readable and writable (Both registers)
- Software programmable prescaler (1:1, 1:4, 1:16)
- Software programmable postscaler (1:1 to 1:16)
- Interrupt on TMR2 match of PR2
- SSP module optional use of TMR2 output to generate clock shift

Timer2 has a control register, shown in Register 7-1. Timer2 can be shut off by clearing control bit TMR2ON (T2CON<2>) to minimize power consumption.

Figure 7-1 is a simplified block diagram of the Timer2 module.

Additional information on timer modules is available in the PICmicro™ Mid-Range MCU Family Reference Manual, (DS33023).

## 7.1 Timer2 Operation

Timer2 can be used as the PWM time-base for PWM mode of the ECCP module.

The TMR2 register is readable and writable, and is cleared on any device RESET.

The input clock ( $F_{osc}/4$ ) has a prescale option of 1:1, 1:4 or 1:16, selected by control bits T2CKPS<1:0> (T2CON<1:0>).

The match output of TMR2 goes through a 4-bit postscaler (which gives a 1:1 to 1:16 scaling inclusive) to generate a TMR2 interrupt (latched in flag bit TMR2IF, (PIR1<1>)).

The prescaler and postscaler counters are cleared when any of the following occurs:

- a write to the TMR2 register
- a write to the T2CON register
- any device RESET (Power-on Reset,  $\overline{MCLR}$  Reset, Watchdog Timer Reset, or Brown-out Reset)

TMR2 is not cleared when T2CON is written.

### REGISTER 7-1: TIMER2 CONTROL REGISTER (T2CON1: 12h)

U-0	R/W-0	R/W-0	R/W-0	R/W-0	R/W-0	R/W-0	R/W-0
—	TOUTPS3	TOUTPS2	TOUTPS1	TOUTPS0	TMR2ON	T2CKPS1	T2CKPS0
bit 7							bit 0

bit 7	<b>Unimplemented:</b> Read as '0'
bit 6-3	<b>TOUTPS&lt;3:0&gt;:</b> Timer2 Output Postscale Select bits 0000 = 1:1 Postscale 0001 = 1:2 Postscale • • • 1111 = 1:16 Postscale
bit 2	<b>TMR2ON:</b> Timer2 On bit 1 = Timer2 is on 0 = Timer2 is off
bit 1-0	<b>T2CKPS&lt;1:0&gt;:</b> Timer2 Clock Prescale Select bits 00 = Prescaler is 1 01 = Prescaler is 4 1x = Prescaler is 16

Legend:			
R = Readable bit	W = Writable bit	U = Unimplemented bit, read as '0'	
- n = Value at POR	'1' = Bit is set	'0' = Bit is cleared	x = Bit is unknown

# PIC16C717/770/771

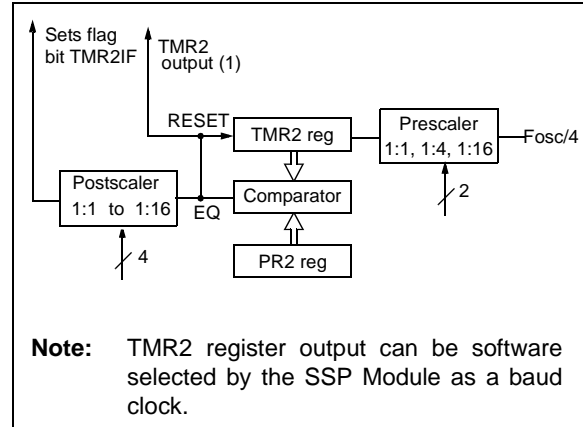
## 7.2 Timer2 Interrupt

The Timer2 module has an 8-bit period register PR2. Timer2 increments from 00h until it matches PR2 and then resets to 00h on the next increment cycle. PR2 is a readable and writable register. The PR2 register is initialized to FFh upon RESET.

## 7.3 Output of TMR2

The output of TMR2 (before the postscaler) is fed to the Synchronous Serial Port module which optionally uses it to generate shift clock.

**FIGURE 7-1: Timer2 Block Diagram**



**TABLE 7-1: REGISTERS ASSOCIATED WITH TIMER2 AS A TIMER/COUNTER**

Address	Name	Bit 7	Bit 6	Bit 5	Bit 4	Bit 3	Bit 2	Bit 1	Bit 0	Value on: POR, BOR	Value on all other RESETS
0Bh,8Bh,10Bh,18Bh	INTCON	GIE	PEIE	TOIE	INTE	RBIE	TOIF	INTF	RBIF	0000 000x	0000 000u
0Ch	PIR1	—	ADIF	—	—	SSPIF	CCP1IF	TMR2IF	TMR1IF	-0-- 0000	-0-- 0000
8Ch	PIE1	—	ADIE	—	—	SSPIE	CCP1IE	TMR2IE	TMR1IE	-0-- 0000	-0-- 0000
11h	TMR2	Timer2 register								0000 0000	0000 0000
12h	T2CON	—	TOUTPS3	TOUTPS2	TOUTPS1	TOUTPS0	TMR2ON	T2CKPS1	T2CKPS0	-000 0000	-000 0000
92h	PR2	Timer2 Period Register								1111 1111	1111 1111

Legend: x = unknown, u = unchanged, - = unimplemented read as '0'. Shaded cells are not used by the Timer2 module.

## 8.0 ENHANCED CAPTURE/ COMPARE/PWM (ECCP) MODULES

The ECCP (Enhanced Capture/Compare/PWM) module contains a 16-bit register which can operate as a 16-bit capture register, as a 16-bit compare register or as a PWM master/slave Duty Cycle register. Table 8-1 shows the timer resources of the ECCP module modes.

Capture/Compare/PWM Register1 (CCPR1) is comprised of two 8-bit registers: CCPR1L (low byte) and CCPR1H (high byte). The CCP1CON and P1DEL registers control the operation of ECCP. All are readable and writable.

### REGISTER 8-1: CCP1 CONTROL REGISTER (CCP1CON: 17h)

R/W-0	R/W-0	R/W-0	R/W-0	R/W-0	R/W-0	R/W-0	R/W-0
PWM1M1	PWM1M0	DC1B1	DC1B0	CCP1M3	CCP1M2	CCP1M1	CCP1M0
bit 7							bit 0

- bit 7-6 **PWM1M<1:0>**: PWM Output Configuration  
 CCP1M<3:2> = 00, 01, 10  
 xx = P1A assigned as Capture input, Compare output. P1B, P1C, P1D assigned as Port pins.  
 CCP1M<3:2> = 11  
 00 = Single output. P1A modulated. P1B, P1C, P1D assigned as Port pins.  
 01 = Full-bridge output forward. P1D modulated. P1A active. P1B, P1C inactive.  
 10 = Half-bridge output. P1A, P1B modulated with deadband control. P1C, P1D assigned as Port pins.  
 11 = Full-bridge output reverse. P1B modulated. P1C active. P1A, P1D inactive.
- bit 5-4 **DC1B<1:0>**: PWM Duty Cycle Least Significant bits  
 Capture Mode: Unused  
 Compare Mode: Unused  
 PWM Mode: These bits are the two LSbs of the PWM duty cycle. The eight MSBs are found in CCPRnL.
- bit 3-0 **CCP1M<3:0>**: ECCP Mode Select bits  
 0000 = Capture/Compare/PWM off (resets ECCP module)  
 0001 = Unused (reserved)  
 0010 = Compare mode, toggle output on match (CCP1IF bit is set)  
 0011 = Unused (reserved)  
 0100 = Capture mode, every falling edge  
 0101 = Capture mode, every rising edge  
 0110 = Capture mode, every 4th rising edge  
 0111 = Capture mode, every 16th rising edge  
 1000 = Compare mode, set output on match (CCP1IF bit is set)  
 1001 = Compare mode, clear output on match (CCP1IF bit is set)  
 1010 = Compare mode, generate software interrupt on match (CCP1IF bit is set, CCP1 pin is unaffected)  
 1011 = Compare mode, trigger special event (CCP1IF bit is set; ECCP resets TMR1, and starts an A/D conversion, if the A/D module is enabled.)  
 1100 = PWM mode. P1A, P1C active high. P1B, P1D active high.  
 1101 = PWM mode. P1A, P1C active high. P1B, P1D active low.  
 1110 = PWM mode. P1A, P1C active low. P1B, P1D active high.  
 1111 = PWM mode. P1A, P1C active low. P1B, P1D active low.

**Legend:**

R = Readable bit	W = Writable bit	U = Unimplemented bit, read as '0'
- n = Value at POR	'1' = Bit is set	'0' = Bit is cleared      x = Bit is unknown

# PIC16C717/770/771

**TABLE 8-1: ECCP MODE - TIMER RESOURCE**

ECCP Mode	Timer Resource
Capture	Timer1
Compare	Timer1
PWM	Timer2

## 8.1 Capture Mode

In Capture mode, CCP1H:CCP1L captures the 16-bit value of the TMR1 register when an event occurs on pin CCP1. An event is defined as:

- every falling edge
- every rising edge
- every 4th rising edge
- every 16th rising edge

An event is selected by control bits CCP1M<3:0> (CCP1CON<3:0>). When a capture is made, the interrupt request flag bit CCP1IF (PIR1<2>) is set. It must be cleared in software. If another capture occurs before the value in register CCP1 is read, the old captured value will be lost.

### 8.1.1 CCP1 PIN CONFIGURATION

In Capture mode, the CCP1 pin should be configured as an input by setting the TRISB<3> bit.

**Note:** If the RB3/CCP1/P1A pin is configured as an output, a write to the port can cause a capture condition.

### 8.1.2 TIMER1 MODE SELECTION

Timer1 must be running in Timer mode or Synchronized Counter mode. In Asynchronous Counter mode, the capture operation may not work.

### 8.1.3 SOFTWARE INTERRUPT

When the Capture mode is changed, a false capture interrupt may be generated. The user should keep bit CCP1IE (PIE1<2>) clear to avoid false interrupts and should clear the flag bit CCP1IF following any such change in Operating mode.

### 8.1.4 ECCP PRESCALER

There are three prescaler settings, specified by bits CCP1M<3:0>. Whenever the ECCP module is turned off or the ECCP module is not in Capture mode, the prescaler counter is cleared. This means that any RESET will clear the prescaler counter.

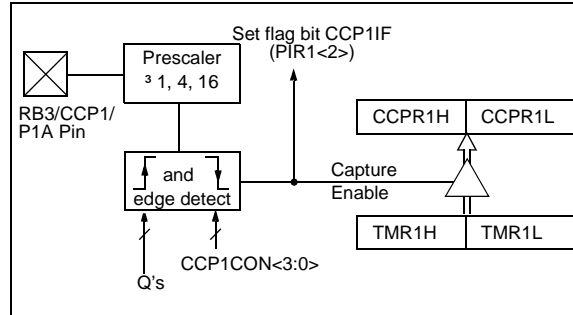
Switching from one capture prescaler to another may generate an interrupt. Also, the prescaler counter will not be cleared, therefore the first capture may be from a non-zero prescaler. Example 8-1 shows the recommended method for switching between capture prescalers. This example also clears the prescaler counter and will not generate the “false” interrupt.

**EXAMPLE 8-1: Changing Between Capture Prescalers**

```

CLRf  CCP1CON    ; Turn ECCP module off
MOVLW NEW_CAPT_PS ; Load WREG with the
                    ; new prescaler mode
                    ; value and ECCP ON
MOVWF  CCP1CON    ; Load CCP1CON with
                    ; this value
    
```

**FIGURE 8-1: CAPTURE MODE OPERATION BLOCK DIAGRAM**



## 8.2 Compare Mode

In Compare mode, the 16-bit CCP1 register value is constantly compared against the TMR1 register pair value. When a match occurs, the CCP1 pin is:

- driven High
- driven Low
- toggle output (High to Low or Low to High)
- remains Unchanged

The action on the pin is based on the value of control bits CCP1M<3:0>. At the same time, interrupt flag bit CCP1IF is set.

Changing the ECCP mode select bits to the clear output on Match mode (CCP1M<3:0> = “1000”) presets the CCP1 output latch to the logic 1 level. Changing the ECCP mode select bits to the clear output on Match mode (CCP1M<3:0> = “1001”) presets the CCP1 output latch to the logic 0 level.

### 8.2.1 CCP1 PIN CONFIGURATION

The user must configure the CCP1 pin as an output by clearing the appropriate TRISB bit.

**Note:** Clearing the CCP1CON register will force the CCP1 compare output latch to the default low level. This is not the port data latch.

### 8.2.2 TIMER1 MODE SELECTION

Timer1 must be running in Timer mode or Synchronized Counter mode if the ECCP module is using the compare feature. In Asynchronous Counter mode, the compare operation may not work.



## 8.2.3 SOFTWARE INTERRUPT MODE

When generate software interrupt is chosen, the CCP1 pin is not affected. Only an ECCP interrupt is generated (if enabled).

## 8.2.4 SPECIAL EVENT TRIGGER

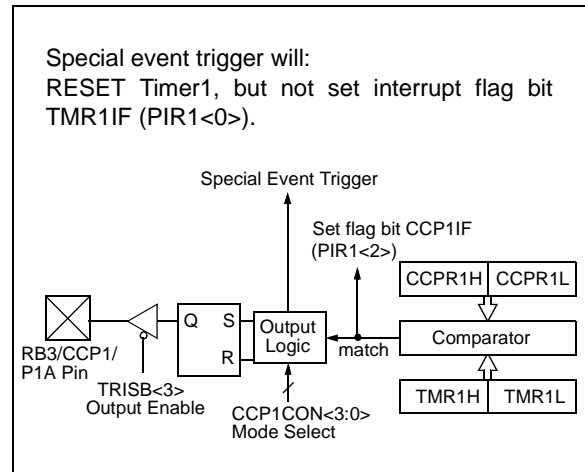
In this mode, an internal hardware trigger is generated, which may be used to initiate an action.

The special event trigger output of ECCP resets the TMR1 register pair. This allows the CCPR1 register to effectively be a 16-bit programmable period register for Timer1.

The special event trigger output of ECCP module will also start an A/D conversion if the A/D module is enabled.

**Note:** The special event trigger will not set the interrupt flag bit TMR1IF (PIR1<0>).

**FIGURE 8-2: COMPARE MODE OPERATION BLOCK DIAGRAM**



**TABLE 8-2: REGISTERS ASSOCIATED WITH CAPTURE, COMPARE AND TIMER1**

Name	Bit 7	Bit 6	Bit 5	Bit 4	Bit 3	Bit 2	Bit 1	Bit 0	Value on POR, BOR	Value on all other RESETS
INTCON	GIE	PEIE	T0IE	INTE	RBIE	T0IF	INTF	RBIF	0000 000x	0000 000u
PIR1	PSPIF <sup>(1)</sup>	ADIF	RCIF	TXIF	SSPIF	CCP1IF	TMR2IF	TMR1IF	0000 0000	0000 0000
PIE1	PSPIE <sup>(1)</sup>	ADIE	RCIE	TXIE	SSPIE	CCP1IE	TMR2IE	TMR1IE	0000 0000	0000 0000
TRISB	PORTB Data Direction Register								1111 1111	1111 1111
TMR1L	Holding register for the Least Significant Byte of the 16-bit TMR1 register								xxxx xxxx	uuuu uuuu
TMR1H	Holding register for the Most Significant Byte of the 16-bit TMR1 register								xxxx xxxx	uuuu uuuu
T1CON	—	—	T1CKPS 1	T1CKP S0	T1OSCEN	T1SYNC	TMR1CS	TMR1O N	--00 0000	--uu uuuu
CCPR1L	Capture/Compare/PWM register1 (LSB)								xxxx xxxx	uuuu uuuu
CCPR1H	Capture/Compare/PWM register1 (MSB)								xxxx xxxx	uuuu uuuu
CCP1CON	PWM1M1	PWM1M0	DC1B1	DC1B0	CCP1M3	CCP1M2	CCP1M1	CCP1M0	0000 0000	0000 0000

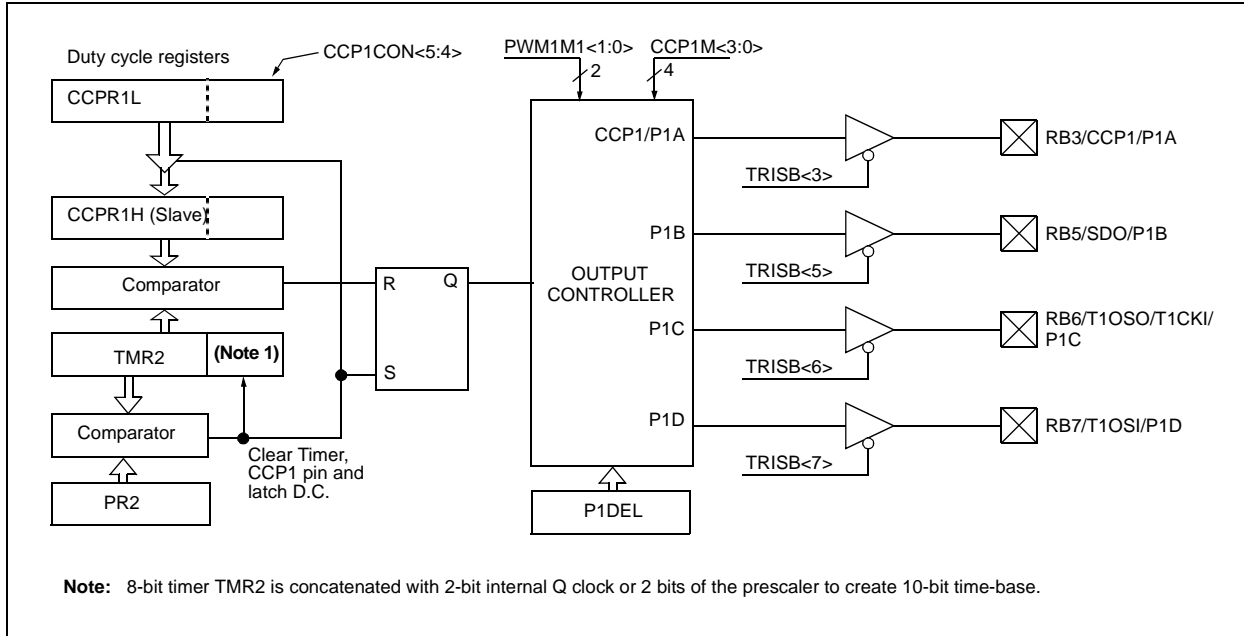
Legend: x = unknown, u = unchanged, - = unimplemented read as '0'. Shaded cells are not used by Capture and Timer1.

# PIC16C717/770/771

## 8.3 PWM Mode

In Pulse Width Modulation (PWM) mode, the ECCP module produces up to a 10-bit resolution PWM output. Figure 8-3 shows the simplified PWM block diagram.

**FIGURE 8-3: SIMPLIFIED PWM BLOCK DIAGRAM**



### 8.3.1 PWM PERIOD

The PWM period is specified by writing to the PR2 register. The PWM period can be calculated using the following formula:

$$\text{PWM PERIOD} = \frac{[(\text{PR2}) + 1] \cdot 4 \cdot \text{TOSC}}{(\text{TMR2 PRESCALE VALUE})}$$

PWM frequency is defined as  $1 / [\text{PWM period}]$ .

When TMR2 is equal to PR2, the following three events occur on the next increment cycle:

- TMR2 is cleared
- The CCP1 pin is set (exception: if PWM duty cycle = 0%, the CCP1 pin will not be set)
- The PWM duty cycle is latched from CCPR1L into CCPR1H

**Note:** The Timer2 postscaler (see Section 7.0) is not used in the determination of the PWM frequency. The postscaler could be used to have a servo update rate at a different frequency than the PWM output.

## 8.3.2 PWM DUTY CYCLE

The PWM duty cycle is specified by writing to the CCPR1L register and to the CCP1CON<5:4> bits. Up to 10-bit resolution is available. The CCPR1L contains the eight MSBs and the CCP1CON<5:4> contains the two LSbs. This 10-bit value is represented by CCPR1L:CCP1CON<5:4>. The following equation is used to calculate the PWM duty cycle in time:

$$\text{PWM duty cycle} = (\text{CCPR1L:CCP1CON<5:4>}) \cdot T_{\text{osc}} \cdot (\text{TMR2 prescale value})$$

CCPR1L and CCP1CON<5:4> can be written to at any time, but the duty cycle value is not latched into CCPR1H until after a match between PR2 and TMR2 occurs (i.e., the period is complete). In PWM mode, CCPR1H is a read-only register.

The CCPR1H register and a 2-bit internal latch are used to double buffer the PWM duty cycle. This double buffering is essential for glitchless PWM operation.

When the CCPR1H and 2-bit latch match TMR2 concatenated with an internal 2-bit Q clock or 2 bits of the TMR2 prescaler, the CCP1 pin is cleared.

Maximum PWM resolution (bits) for a given PWM frequency:

$$= \frac{\log\left(\frac{F_{\text{OSC}}}{F_{\text{PWM}}}\right)}{\log(2)} \text{ bits}$$

**Note:** If the PWM duty cycle value is longer than the PWM period, the CCP1 pin will not be cleared.

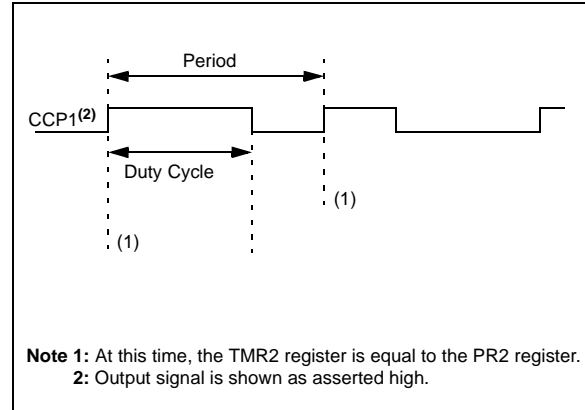
## 8.3.3 PWM OUTPUT CONFIGURATIONS

The PWM1M1 bits in the CCP1CON register allows one of the following configurations:

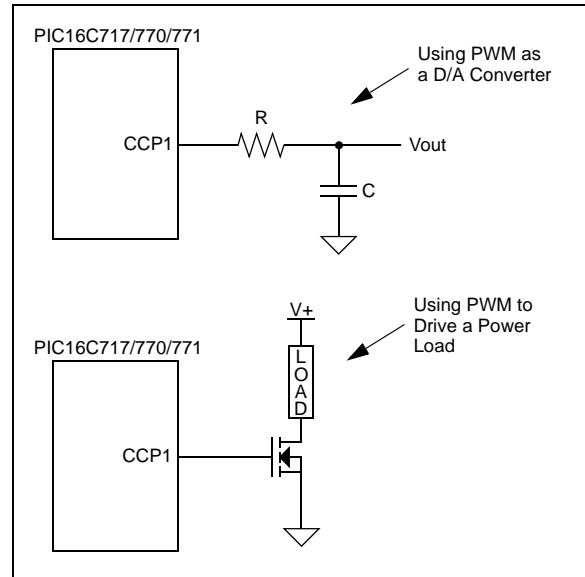
- Single output
- Half-Bridge output
- Full-Bridge output, Forward mode
- Full-Bridge output, Reverse mode

In the Single Output mode, the RB3/CCP1/P1A pin is used as the PWM output. Since the CCP1 output is multiplexed with the PORTB<3> data latch, the TRISB<3> bit must be cleared to make the CCP1 pin an output.

**FIGURE 8-4: SINGLE PWM OUTPUT**



**FIGURE 8-5: EXAMPLE OF SINGLE OUTPUT APPLICATION**



In the Half-Bridge Output mode, two pins are used as outputs. The RB3/CCP1/P1A pin has the PWM output signal, while the RB5/SDO/P1B pin has the complementary PWM output signal. This mode can be used for half-bridge applications, as shown on Figure 8-7, or for full-bridge applications, where four power switches are being modulated with two PWM signal.

Since the P1A and P1B outputs are multiplexed with the PORTB<3> and PORTB<5> data latches, the TRISB<3> and TRISB<5> bits must be cleared to configure P1A and P1B as outputs.

In Half-Bridge Output mode, the programmable dead-band delay can be used to prevent shoot-through current in bridge power devices. See Section 8.3.5 for more details of the deadband delay operations.

# PIC16C717/770/771

## 8.3.4 OUTPUT POLARITY CONFIGURATION

The CCP1M<1:0> bits in the CCP1CON register allow user to choose the logic conventions (asserted high/low) for each of the outputs. See Register 8-1 for further details.

The PWM output polarities must be selected before the PWM outputs are enabled. Changing the polarity configuration while the PWM outputs are active is not recommended, since it may result in unpredictable operation.

**FIGURE 8-6: HALF-BRIDGE PWM OUTPUT**

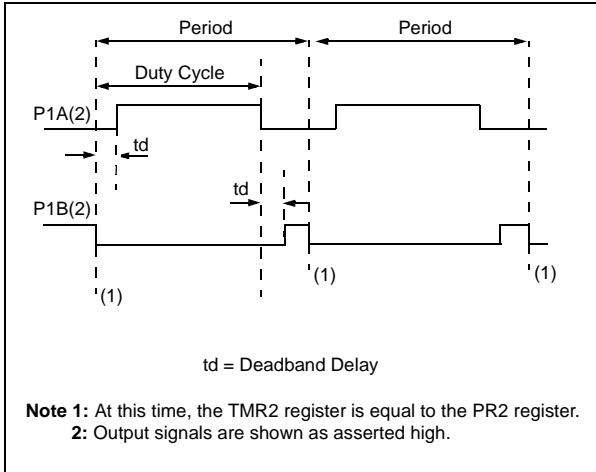
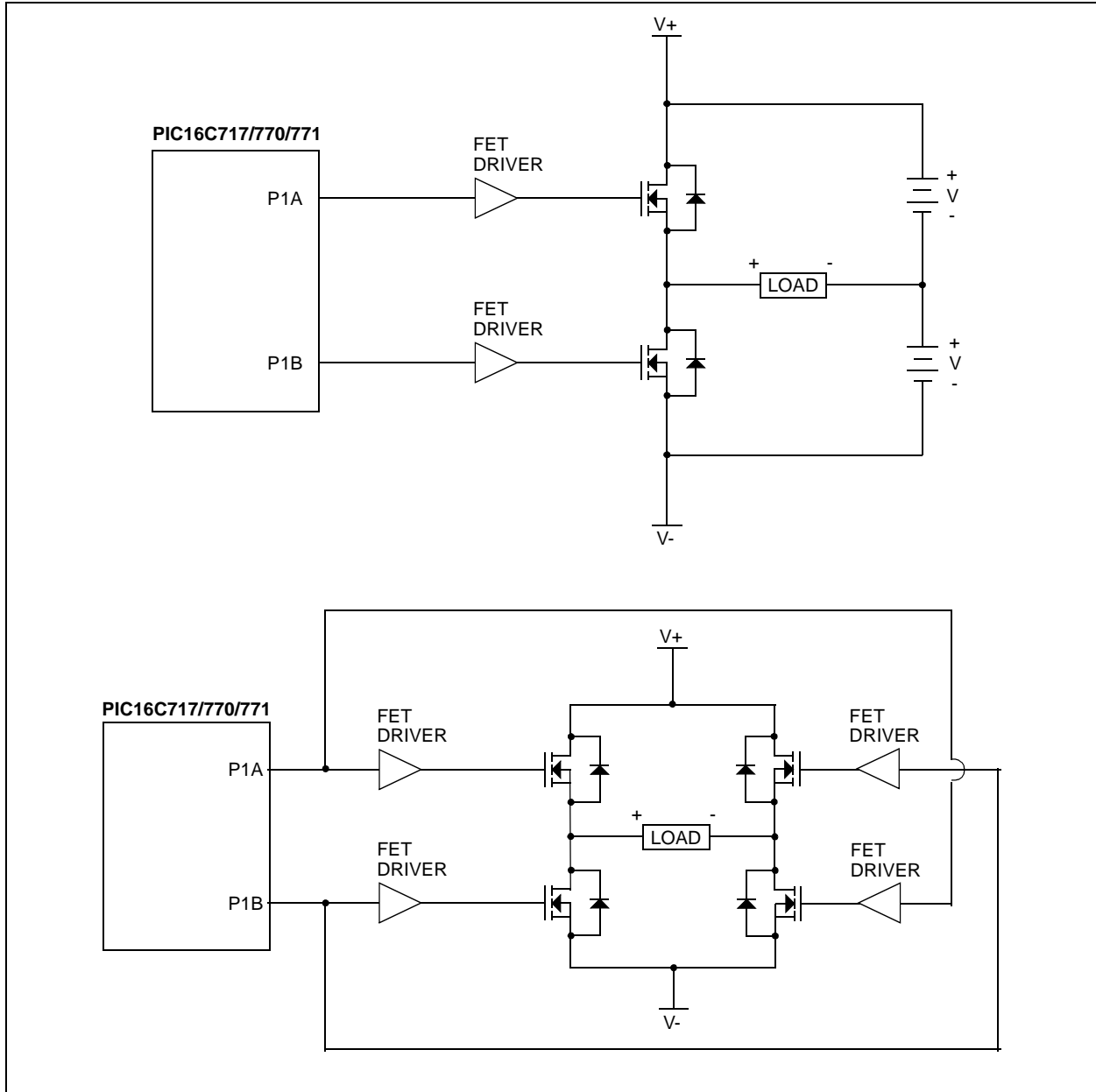


FIGURE 8-7: EXAMPLE OF HALF-BRIDGE OUTPUT MODE APPLICATIONS



# PIC16C717/770/771

In Full-Bridge Output mode, four pins are used as outputs; however, only two outputs are active at a time. In the Forward mode, RB3/CCP1/P1A pin is continuously active, and RB7/T1OSI/P1D pin is modulated. In the Reverse mode, RB6/T1OSO/T1CKI/P1C pin is continuously active, and RB5/SDO/P1B pin is modulated.

P1A, P1B, P1C and P1D outputs are multiplexed with PORTB<3> and PORTB<5:7> data latches. TRISB<3> and TRISB<5:7> bits must be cleared to make the P1A, P1B, P1C, and P1D pins output.

**FIGURE 8-8: FULL-BRIDGE PWM OUTPUT**

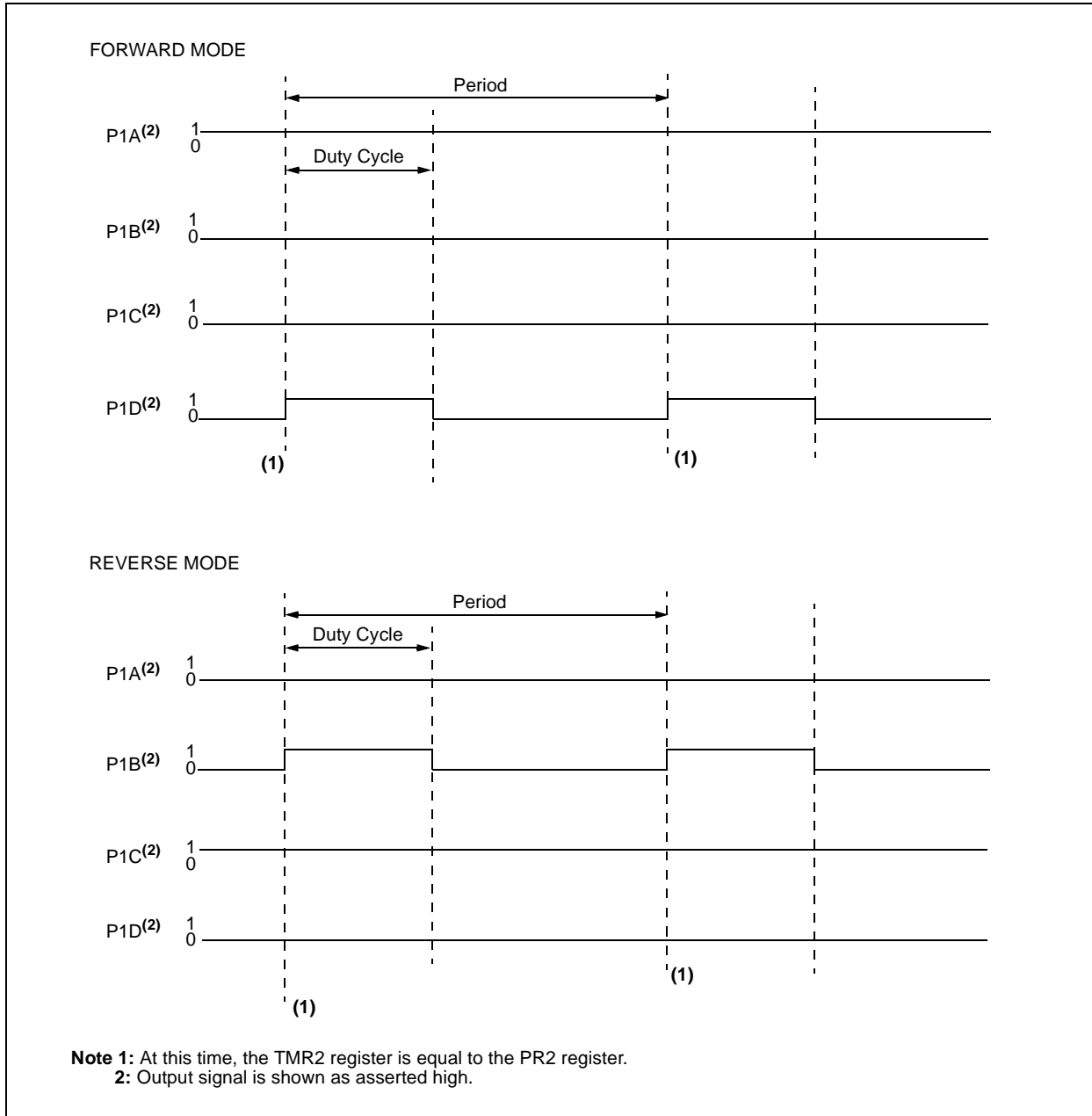
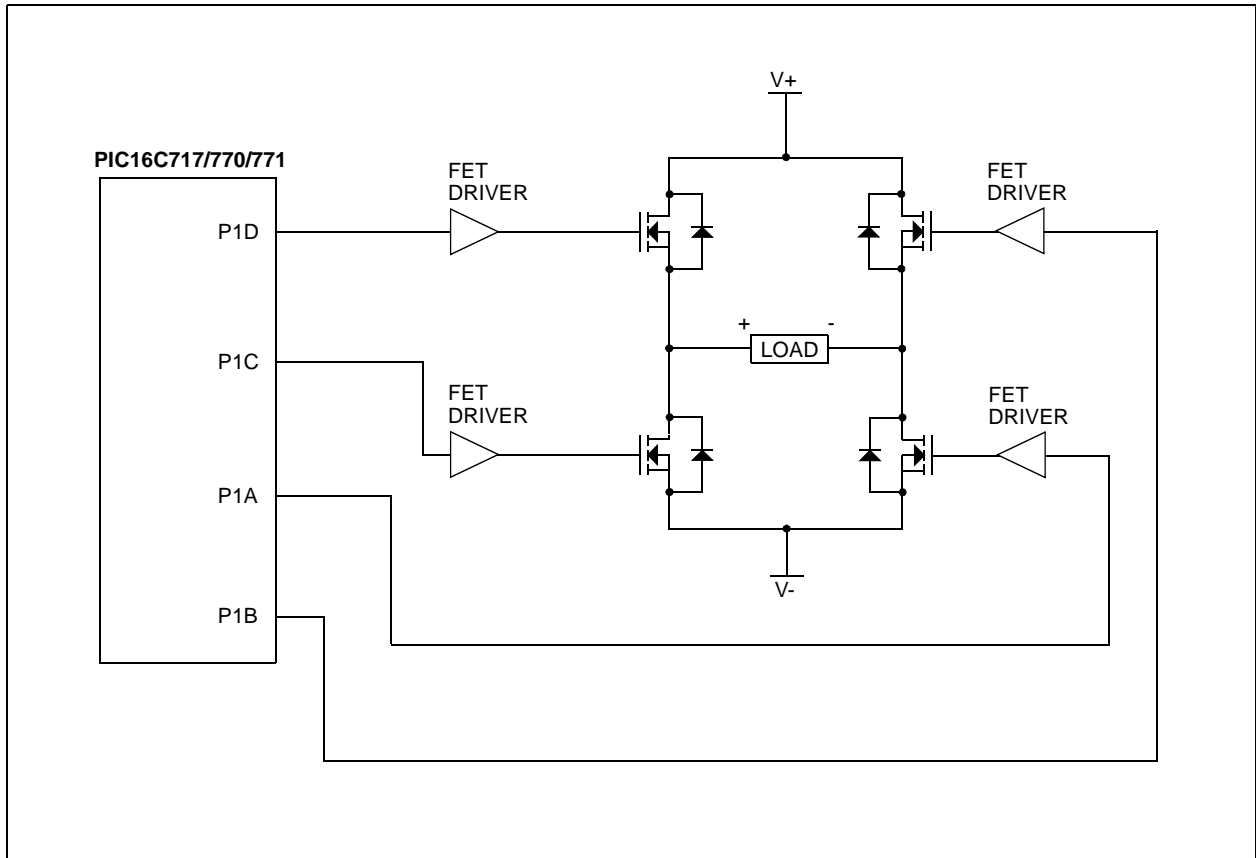


FIGURE 8-9: EXAMPLE OF FULL-BRIDGE APPLICATION



# PIC16C717/770/771

## 8.3.5 PROGRAMMABLE DEADBAND DELAY

In half-bridge or full-bridge applications, driven by half-bridge outputs (see Figure 8-7), the power switches normally require longer time to turn off than to turn on. If both the upper and lower power switches are switched at the same time (one turned on, and the other turned off), both switches will be on for a short period of time, until one switch completely turns off. During this time, a very high current, called shoot-through current, will flow through both power switches,

shorting the bridge supply. To avoid this potentially destructive shoot-through current from flowing during switching, turning on the power switch is normally delayed to allow the other switch to completely turn off.

In the Half-Bridge Output mode, a digitally programmable deadband delay is available to avoid shoot-through current from destroying the bridge power switches. The delay occurs at the signal transition from the non-active state to the active state. See Figure 8-6 for illustration. The P1DEL register sets the amount of delay.

### REGISTER 8-2: PWM DELAY REGISTER (P1DEL: 97H)

R/W-0	R/W-0	R/W-0	R/W-0	R/W-0	R/W-0	R/W-0	R/W-0
P1DEL7	P1DEL6	P1DEL5	P1DEL4	P1DEL3	P1DEL2	P1DEL1	P1DEL0
bit 7							bit 0

bit 7-0 **P1DEL<7:0>: PWM Delay Count for Half-Bridge Output Mode:** Number of  $F_{osc}/4$  ( $T_{osc} \cdot 4$ ) cycles between the P1A transition and the P1B transition.

#### Legend:

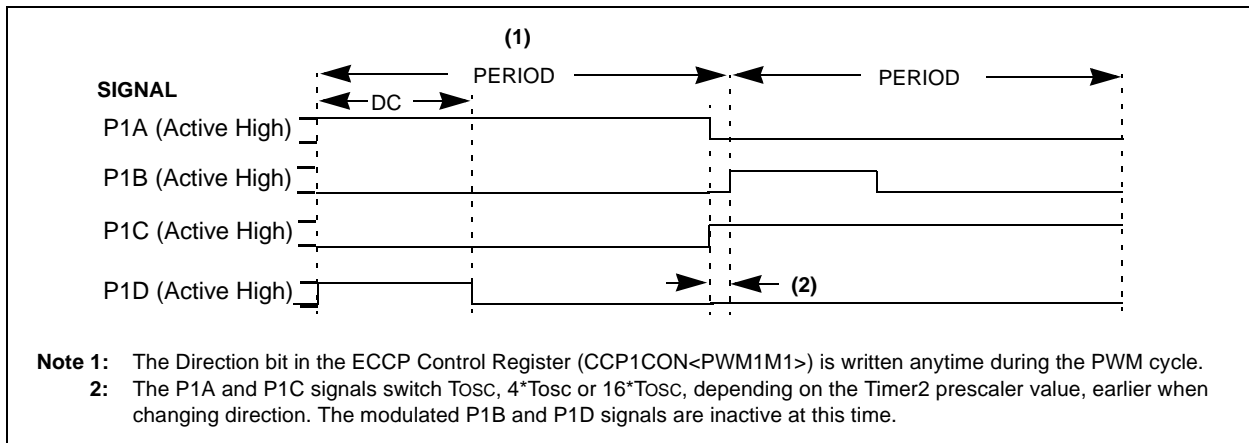
R = Readable bit	W = Writable bit	U = Unimplemented bit, read as '0'
- n = Value at POR	'1' = Bit is set	'0' = Bit is cleared    x = Bit is unknown

## 8.3.6 DIRECTION CHANGE IN FULL-BRIDGE OUTPUT MODE

In the Full-Bridge Output mode, the PWM1M1 bit in the CCP1CON register allows user to control the Forward/Reverse direction. When the application firmware changes this direction control bit, the ECCP module will assume the new direction on the next PWM cycle. The current PWM cycle still continues, however, the non-

modulated outputs, P1A and P1C signals, will transition to the new direction  $T_{OSC}$ ,  $4 \cdot T_{OSC}$  or  $16 \cdot T_{OSC}$  (for Timer2 prescale  $T2CKRS<1:0> = 00, 01$  and  $1x$  respectively) earlier, before the end of the period. During this transition cycle, the modulated outputs, P1B and P1D, will go to the inactive state. See Figure 8-10 for illustration.

**FIGURE 8-10: PWM DIRECTION CHANGE**





Note that in the Full-Bridge Output mode, the ECCP module does not provide any deadband delay. In general, since only one output is modulated at a time, deadband delay is not required. However, there is a situation where a deadband delay might be required. This situation occurs when all of the following conditions are true:

1. The direction of the PWM output changes when the duty cycle of the output is at or near 100%.
2. The turn off time of the power switch, including the power device and driver circuit, is greater than turn on time.

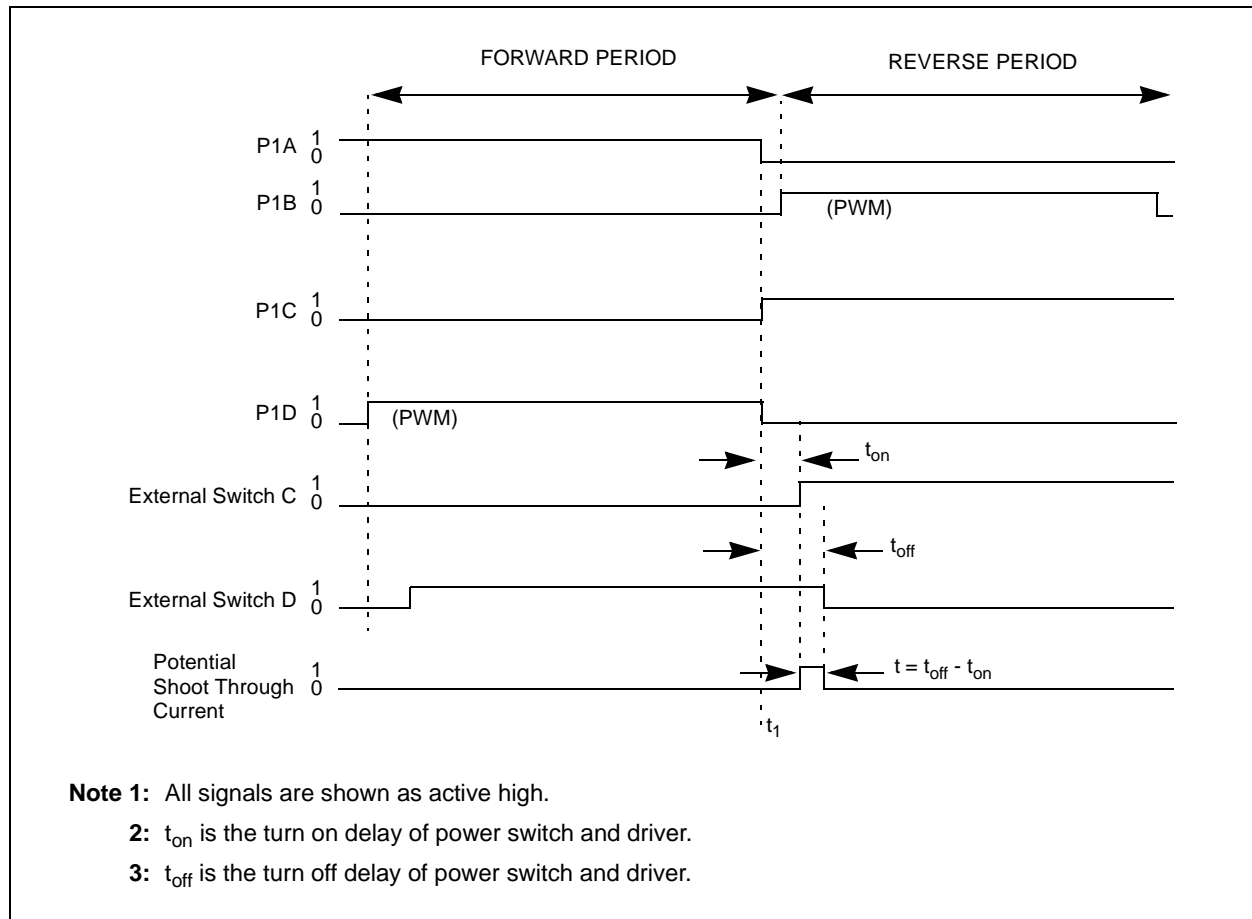
Figure 8-11 shows an example, where the PWM direction changes from forward to reverse at a near 100% duty cycle. At time  $t_1$ , the output P1A and P1D become inactive, while output P1C becomes active. In this

example, since the turn off time of the power devices is longer than the turn on time, a shoot-through current flows through the power devices, QB and QD, for the duration of  $t = t_{off} - t_{on}$ . The same phenomenon will occur to power devices, QC and QB, for PWM direction change from reverse to forward.

If changing PWM direction at high duty cycle is required for the user's application, one of the following requirements must be met:

1. Avoid changing PWM output direction at or near 100% duty cycle.
2. Use switch drivers that compensate for the slow turn off of the power devices. The total turn off time ( $t_{off}$ ) of the power device and the driver must be less than the turn on time ( $t_{on}$ ).

**FIGURE 8-11: PWM DIRECTION CHANGE AT NEAR 100% DUTY CYCLE**



# PIC16C717/770/771

## 8.3.7 SYSTEM IMPLEMENTATION

When the ECCP module is used in the PWM mode, the application hardware must use the proper external pull-up and/or pull-down resistors on the PWM output pins. When the microcontroller powers up, all of the I/O pins are in the high-impedance state. The external pull-up and pull-down resistors must keep the power switch devices in the off state until the microcontroller drives the I/O pins with the proper signal levels, or activates the PWM output(s).

## 8.3.8 START-UP CONSIDERATIONS

Prior to enabling the PWM outputs, the P1A, P1B, P1C and P1D latches may not be in the proper states. Enabling the TRISB bits for output at the same time with the CCP module may cause damage to the power switch devices. The CCP1 module must be enabled in the proper Output mode with the TRISB bits enabled as inputs. Once the CCP1 completes a full PWM cycle, the P1A, P1B, P1C and P1D output latches are properly initialized. At this time, the TRISB bits can be enabled for outputs to start driving the power switch devices. The completion of a full PWM cycle is indicated by the TMR2IF bit going from a '0' to a '1'.

## 8.3.9 SET UP FOR PWM OPERATION

The following steps should be taken when configuring the ECCP module for PWM operation:

1. Configure the PWM module:
  - a) Disable the CCP1/P1A, P1B, P1C and/or P1D outputs by setting the respective TRISB bits.
  - b) Set the PWM period by loading the PR2 register.
  - c) Set the PWM duty cycle by loading the CCPR1L register and CCP1CON<5:4> bits.
  - d) Configure the ECCP module for the desired PWM operation by loading the CCP1CON register. With the CCP1M<3:0> bits select the active high/low levels for each PWM output. With the PWM1M<1:0> bits select one of the available Output modes: Single, Half-Bridge, Full-Bridge, Forward or Full-Bridge Reverse.
  - e) For Half-Bridge Output mode, set the dead-band delay by loading the P1DEL register.
2. Configure and start TMR2:
  - a) Clear the TMR2 interrupt flag bit by clearing the TMR2IF bit in the PIR1 register.
  - b) Set the TMR2 prescale value by loading the T2CKPS<1:0> bits in the T2CON register.
  - c) Enable Timer2 by setting the TMR2ON bit in the T2CON register.
3. Enable PWM outputs after a new cycle has started:
  - a) Wait until TMR2 overflows (TMR2IF bit becomes a '1'). The new PWM cycle begins here.
  - b) Enable the CCP1/P1A, P1B, P1C and/or P1D pin outputs by clearing the respective TRISB bits.

**TABLE 8-3: REGISTERS ASSOCIATED WITH PWM**

Address	Name	Bit 7	Bit 6	Bit 5	Bit 4	Bit 3	Bit 2	Bit 1	Bit 0	Value on POR, BOR	Value on all other RESETS
0Bh, 8Bh, 10Bh, 18Bh	INTCON	GIE	PEIE	TOIE	INTE	RBIE	TOIF	INTF	RBIF	0000 000x	0000 000u
0Ch	PIR1	—	ADIF	—	—	SSPIF	CCP1IF	TMR2IF	TMR1IF	-0-- 0000	-0-- 0000
8Ch	PIE1	—	ADIE	—	—	SSPIE	CCP1IE	TMR2IE	TMR1IE	-0-- 0000	-0-- 0000
86h, 186h	TRISB	PORTB Data Direction Register								1111 1111	1111 1111
11h	TMR2	Timer2 register								0000 0000	0000 0000
92h	PR2	Timer2 period register								1111 1111	1111 1111
12h	T2CON	—	TOUTPS3	TOUTPS2	TOUTPS1	TOUTPS0	TMR2ON	T2CKPS1	T2CKPS0	-000 0000	-000 0000
15h	CCPR1L	Capture/Compare/PWM register1 (LSB)								xxxx xxxx	uuuu uuuu
17h	CCP1CON	PWM1M1	PWM1M0	DC1B1	DC1B0	CCP1M3	CCP1M2	CCP1M1	CCP1M0	0000 0000	0000 0000
97h	P1DEL	PWM1 Delay value								0000 0000	0000 0000

Legend: x = unknown, u = unchanged, - = unimplemented read as '0'. Shaded cells are not used by ECCP module in PWM mode.

## 9.0 MASTER SYNCHRONOUS SERIAL PORT (MSSP) MODULE

The Master Synchronous Serial Port (MSSP) module is a serial interface useful for communicating with other peripheral or microcontroller devices. These peripheral devices may be serial EEPROMs, shift registers, display drivers, etc. The MSSP module can operate in one of two modes:

- Serial Peripheral Interface (SPI™)
- Inter-Integrated Circuit (I<sup>2</sup>C™)

# PIC16C717/770/771

## REGISTER 9-1: SYNC SERIAL PORT STATUS REGISTER (SSPSTAT: 94h)

R/W-0	R/W-0	R-0	R-0	R-0	R-0	R-0	R-0
SMP	CKE	D/A	P	S	R/W	UA	BF
bit 7						bit 0	

- bit 7 **SMP:** Sample bit  
SPI Master Mode  
 1 = Input data sampled at end of data output time  
 0 = Input data sampled at middle of data output time  
SPI Slave Mode  
 SMP must be cleared when SPI is used in Slave mode  
 In I<sup>2</sup>C Master or Slave mode:  
 1 = Slew rate control disabled for Standard Speed mode (100 kHz and 1 MHz)  
 0 = Slew rate control enabled for High Speed mode (400 kHz)
- bit 6 **CKE:** SPI Clock Edge Select (Figure 9-3, Figure 9-5, and Figure 9-6)  
CKP = 0  
 1 = Data transmitted on rising edge of SCK  
 0 = Data transmitted on falling edge of SCK  
CKP = 1  
 1 = Data transmitted on falling edge of SCK  
 0 = Data transmitted on rising edge of SCK
- bit 5 **D/A:** Data/Address bit (I<sup>2</sup>C mode only)  
 1 = Indicates that the last byte received or transmitted was data  
 0 = Indicates that the last byte received or transmitted was address
- bit 4 **P:** STOP bit  
 (I<sup>2</sup>C mode only. This bit is cleared when the MSSP module is disabled, SSPEN is cleared)  
 1 = Indicates that a STOP bit has been detected last (this bit is '0' on RESET)  
 0 = STOP bit was not detected last
- bit 3 **S:** START bit  
 (I<sup>2</sup>C mode only. This bit is cleared when the MSSP module is disabled, SSPEN is cleared)  
 1 = Indicates that a START bit has been detected last (this bit is '0' on RESET)  
 0 = START bit was not detected last
- bit 2 **R/W:** Read/Write bit information (I<sup>2</sup>C mode only)  
 This bit holds the R/W bit information following the last address match. This bit is only valid from the address match to the next START bit, STOP bit, or NACK bit.  
In I<sup>2</sup>C Slave mode:  
 1 = Read  
 0 = Write  
In I<sup>2</sup>C Master mode:  
 1 = Transmit is in progress  
 0 = Transmit is not in progress.  
 ORing this bit with SEN, RSEN, PEN, RCEN, or AKEN will indicate if the MSSP is in IDLE mode
- bit 1 **UA:** Update Address (10-bit I<sup>2</sup>C mode only)  
 1 = Indicates that the user needs to update the address in the SSPADD register  
 0 = Address does not need to be updated
- bit 0 **BF:** Buffer Full Status bit  
Receive (SPI and I<sup>2</sup>C modes)  
 1 = Receive complete, SSPBUF is full  
 0 = Receive not complete, SSPBUF is empty  
Transmit (I<sup>2</sup>C mode only)  
 1 = Data Transmit in progress (does not include the ACK and STOP bits), SSPBUF is full  
 0 = Data Transmit complete (does not include the ACK and STOP bits), SSPBUF is empty

Legend:			
R = Readable bit	W = Writable bit	U = Unimplemented bit, read as '0'	
- n = Value at POR	'1' = Bit is set	'0' = Bit is cleared	x = Bit is unknown

# PIC16C717/770/771

## REGISTER 9-2: SYNC SERIAL PORT CONTROL REGISTER (SSPCON: 14h)

R/W-0	R/W-0	R/W-0	R/W-0	R/W-0	R/W-0	R/W-0	R/W-0	
WCOL	SSPOV	SSPEN	CKP	SSPM3	SSPM2	SSPM1	SSPM0	
bit 7								bit 0

bit 7 **WCOL:** Write Collision Detect bit

Master Mode:

1 = A write to the SSPBUF register was attempted while the I<sup>2</sup>C conditions were not valid for a transmission to be started

0 = No collision

Slave Mode:

1 = The SSPBUF register is written while it is still transmitting the previous word (must be cleared in software)

0 = No collision

bit 6 **SSPOV:** Receive Overflow Indicator bit

In SPI mode

1 = A new byte is received while the SSPBUF register is still holding the previous data. In case of overflow, the data in SSPSR is lost. Overflow can only occur in Slave mode. In Slave mode, the user must read the SSPBUF, even if only transmitting data, to avoid setting overflow. In Master mode, the overflow bit is not set since each new reception (and transmission) is initiated by writing to the SSPBUF register. (Must be cleared in software).

0 = No overflow

In I<sup>2</sup>C mode

1 = A byte is received while the SSPBUF register is still holding the previous byte. SSPOV is a "don't care" in Transmit mode. (Must be cleared in software).

0 = No overflow

bit 5 **SSPEN:** Synchronous Serial Port Enable bit

In both modes, when enabled, the I/O pins must be properly configured as input or output.

In SPI mode

1 = Enables serial port and configures SCK, SDO, SDI, and  $\overline{SS}$  as the source of the serial port pins

0 = Disables serial port and configures these pins as I/O port pins

In I<sup>2</sup>C mode

1 = Enables the serial port and configures the SDA and SCL pins as the source of the serial port pins

0 = Disables serial port and configures these pins as I/O port pins

bit 4 **CKP:** Clock Polarity Select bit

In SPI mode

1 = IDLE state for clock is a high level

0 = IDLE state for clock is a low level

In I<sup>2</sup>C Slave mode SCK release control

1 = Enable clock

0 = Holds clock low (clock stretch) (used to ensure data setup time)

In I<sup>2</sup>C Master mode

Unused in this mode

Legend:

R = Readable bit

W = Writable bit

U = Unimplemented bit, read as '0'

- n = Value at POR

'1' = Bit is set

'0' = Bit is cleared

x = Bit is unknown

# PIC16C717/770/771

---

## REGISTER 9-2: SYNC SERIAL PORT CONTROL REGISTER (SSPCON: 14h) (CONTINUED)

bit 3-0     **SSPM<3:0>**: Synchronous Serial Port Mode Select bits

- 0000 = SPI Master mode, clock = Fosc/4
- 0001 = SPI Master mode, clock = Fosc/16
- 0010 = SPI Master mode, clock = Fosc/64
- 0011 = SPI Master mode, clock = TMR2 output/2
- 0100 = SPI Slave mode, clock = SCK pin.  $\overline{SS}$  pin control enabled.
- 0101 = SPI Slave mode, clock = SCK pin.  $\overline{SS}$  pin control disabled.  $\overline{SS}$  can be used as I/O pin.
- 0110 = I<sup>2</sup>C Slave mode, 7-bit address
- 0111 = I<sup>2</sup>C Slave mode, 10-bit address
- 1000 = I<sup>2</sup>C Master mode, clock = Fosc / (4 • (SSPADD+1) )
- 1001 = Reserved
- 1010 = Reserved
- 1011 = Firmware controlled Master mode (slave idle)
- 1100 = Reserved
- 1101 = Reserved
- 1110 = 7-bit Slave mode with START and STOP condition interrupts
- 1111 = 10-bit Slave mode with START and STOP condition interrupts

Legend:

R = Readable bit	W = Writable bit	U = Unimplemented bit, read as '0'
- n = Value at POR	'1' = Bit is set	'0' = Bit is cleared    x = Bit is unknown

## REGISTER 9-3: SYNC SERIAL PORT CONTROL REGISTER2 (SSPCON2: 91h)

R/W-0	R/W-0	R/W-0	R/W-0	R/W-0	R/W-0	R/W-0	R/W-0
GCEN	ACKSTAT	ACKDT	ACKEN	RCEN	PEN	RSEN	SEN

bit 7

bit 0

- bit 7 **GCEN:** General Call Enable bit (In I<sup>2</sup>C Slave mode only)  
 1 = Enable interrupt when a general call address (0000h) is received in the SSPSR.  
 0 = General call address disabled.
- bit 6 **ACKSTAT:** Acknowledge Status bit (In I<sup>2</sup>C Master mode only)  
In Master Transmit mode:  
 1 = Acknowledge was not received from slave  
 0 = Acknowledge was received from slave
- bit 5 **ACKDT:** Acknowledge Data bit (In I<sup>2</sup>C Master mode only)  
In Master Receive mode:  
 Value that will be transmitted when the user initiates an Acknowledge sequence at the end of a receive.  
 1 = Not Acknowledge (NACK)  
 0 = Acknowledge (ACK)
- bit 4 **ACKEN:** Acknowledge Sequence Enable bit (In I<sup>2</sup>C Master mode only).  
In Master Receive mode:  
 1 = Initiate Acknowledge sequence on SDA and SCL pins, and transmit ACKDT data bit. Automatically cleared by hardware.  
 0 = Acknowledge sequence IDLE
- bit 3 **RCEN:** Receive Enable bit (In I<sup>2</sup>C Master mode only).  
 1 = Enables Receive mode for I<sup>2</sup>C  
 0 = Receive IDLE
- bit 2 **PEN:** STOP Condition Enable bit (In I<sup>2</sup>C Master mode only).  
SCK Release Control  
 1 = Initiate STOP condition on SDA and SCL pins. Automatically cleared by hardware.  
 0 = STOP condition IDLE
- bit 1 **RSEN:** Repeated START Condition Enabled bit (In I<sup>2</sup>C Master mode only)  
 1 = Initiate Repeated START condition on SDA and SCL pins. Automatically cleared by hardware.  
 0 = Repeated START condition IDLE
- bit 0 **SEN:** START Condition Enabled bit (In I<sup>2</sup>C Master mode only)  
 1 = Initiate START condition on SDA and SCL pins. Automatically cleared by hardware.  
 0 = START condition IDLE

**Note:** For bits ACKEN, RCEN, PEN, RSEN, SEN: If the I<sup>2</sup>C module is not in the IDLE mode, this bit may not be set (no spooling) and the SSPBUF may not be written (or writes to the SSPBUF are disabled).

Legend:			
R = Readable bit	W = Writable bit	U = Unimplemented bit, read as '0'	
- n = Value at POR	'1' = Bit is set	'0' = Bit is cleared	x = Bit is unknown





When the application software is expecting to receive valid data, the SSPBUF should be read before the next byte of data to transfer is written to the SSPBUF. Buffer full bit, BF (SSPSTAT<0>), indicates when the SSPBUF has been loaded with the received data (transmission is complete). When the SSPBUF is read, bit BF is cleared. This data may be irrelevant if the SPI is only a transmitter. Generally the MSSP Interrupt is used to determine when the transmission/reception has completed. The SSPBUF must be read and/or written. If the interrupt method is not going to be used, then software polling can be done to ensure that a write collision does not occur. Example 9-1 shows the loading of the SSPBUF (SSPSR) for data transmission.

### EXAMPLE 9-1: Loading the SSPBUF (SSPSR) Register

```

BSF STATUS, RP0 ;Specify Bank 1
LOOP BTFSS SSPSTAT, BF ;Has data been
                                ;received
                                ;(xmit complete)?

GOTO LOOP ;No
BCF STATUS, RP0 ;Specify Bank 0
MOVF SSPBUF, W ;Save SSPBUF...
MOVWF RXDATA ;...in user RAM
MOVF TXDATA, W ;Get next TXDATA
MOVWF SSPBUF ;New data to xmit
    
```

The SSPSR is not directly readable or writable, and can only be accessed by addressing the SSPBUF register. Additionally, the MSSP STATUS register (SSPSTAT) indicates the various status conditions.

### 9.1.2 ENABLING SPI I/O

To enable the serial port, MSSP Enable bit, SSPEN (SSPCON<5>) must be set. To reset or reconfigure SPI mode, clear bit SSPEN, re-initialize the SSPCON registers, and then set bit SSPEN. This configures the SDI, SDO, SCK and SS pins as serial port pins. For the pins to behave as the serial port function, some must have their data direction bits (in the TRIS register) appropriately programmed. That is:

- SDI is automatically controlled by the SPI module
- SDO must have TRISB<5> cleared
- SCK (Master mode) must have TRISB<2> cleared
- SCK (Slave mode) must have TRISB<2> set
- $\overline{SS}$  must have TRISB<1> set, and ANSEL<5> cleared

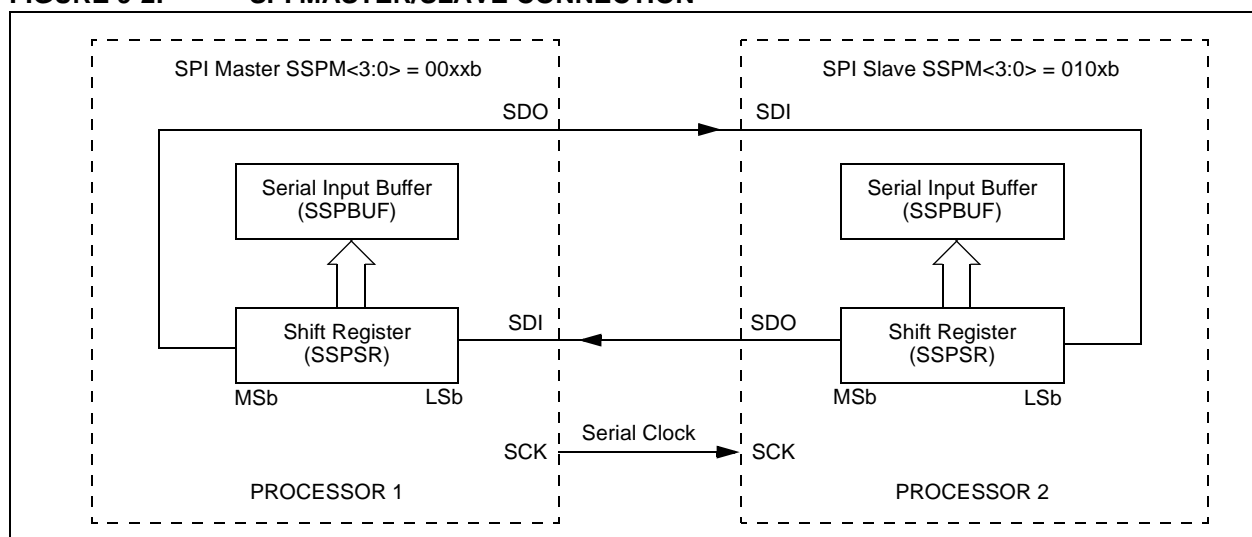
Any serial port function that is not desired may be overridden by programming the corresponding data direction (TRIS) register to the opposite value.

### 9.1.3 TYPICAL CONNECTION

Figure 9-2 shows a typical connection between two microcontrollers. The master controller (Processor 1) initiates the data transfer by sending the SCK signal. Data is shifted out of both shift registers on their programmed clock edge, and latched on the opposite edge of the clock. Both processors should be programmed to same Clock Polarity (SSPCON<4>), then both controllers would send and receive data at the same time. Whether the data is meaningful (or dummy data) depends on the application software. This leads to three scenarios for data transmission:

- Master sends data — Slave sends dummy data
- Master sends data — Slave sends data
- Master sends dummy data — Slave sends data

FIGURE 9-2: SPI MASTER/SLAVE CONNECTION



# PIC16C717/770/771

## 9.1.4 MASTER MODE

The master can initiate the data transfer at any time because it controls the SCK. The master determines when the slave (Processor 2, Figure 9-2) is to broadcast data by the software protocol.

In Master mode, the data is transmitted/received as soon as the SSPBUF register is written to. If the SPI module is only going to receive, the SDO output could be disabled (programmed as an input). The SSPSR register will continue to shift in the signal present on the SDI pin at the programmed clock rate. As each byte is received, it will be loaded into the SSPBUF register as if a normal received byte (interrupts and status bits appropriately set). This could be useful in receiver applications as a "line activity monitor".

The clock polarity is selected by appropriately programming bit CKP (SSPCON<4>). This then would give waveforms for SPI communication as shown in

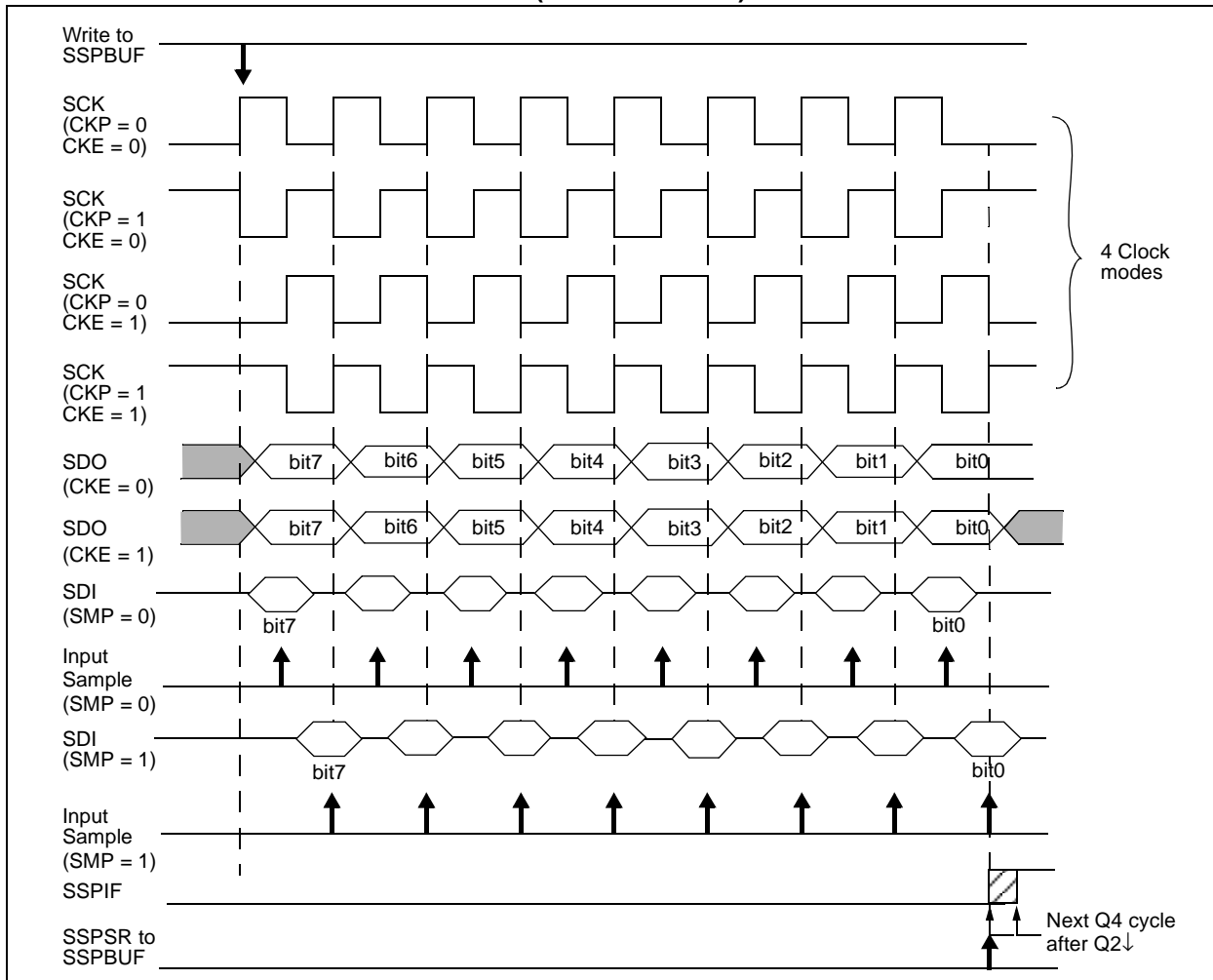
Figure 9-3, Figure 9-5 and Figure 9-6, where the MSb is transmitted first. In Master mode, the SPI clock rate (bit rate) is user programmable to be one of the following:

- $F_{OSC}/4$  (or  $T_{CY}$ )
- $F_{OSC}/16$  (or  $4 \cdot T_{CY}$ )
- $F_{OSC}/64$  (or  $16 \cdot T_{CY}$ )
- $\text{Timer2 output}/2$

This allows a maximum bit clock frequency (at 20 MHz) of 8.25 MHz.

Figure 9-3 shows the waveforms for Master mode. When  $\text{CKE} = 1$ , the SDO data is valid before there is a clock edge on SCK. The change of the input sample is shown based on the state of the SMP bit. The time when the SSPBUF is loaded with the received data is shown.

**FIGURE 9-3: SPI MODE WAVEFORM (MASTER MODE)**



## 9.1.5 SLAVE MODE

In Slave mode, the data is transmitted and received as the external clock pulses appear on SCK. When the last bit is latched the interrupt flag bit SSIIF (PIR1<3>) is set.

While in Slave mode, the external clock is supplied by the external clock source on the SCK pin. This external clock must meet the minimum high and low times as specified in the electrical specifications.

While in SLEEP mode, the slave can transmit/receive data. When a byte is received, the device will wake-up from SLEEP.

## 9.1.6 SLAVE SELECT SYNCHRONIZATION

The  $\overline{SS}$  pin allows a Synchronous Slave mode. The SPI must be in Slave mode with  $\overline{SS}$  pin control enabled (SSPCON<3:0> = 0100). The pin must not be driven low for the  $\overline{SS}$  pin to function as an input. TRISB<1> must be set. When the  $\overline{SS}$  pin is low, transmission and reception are enabled and the

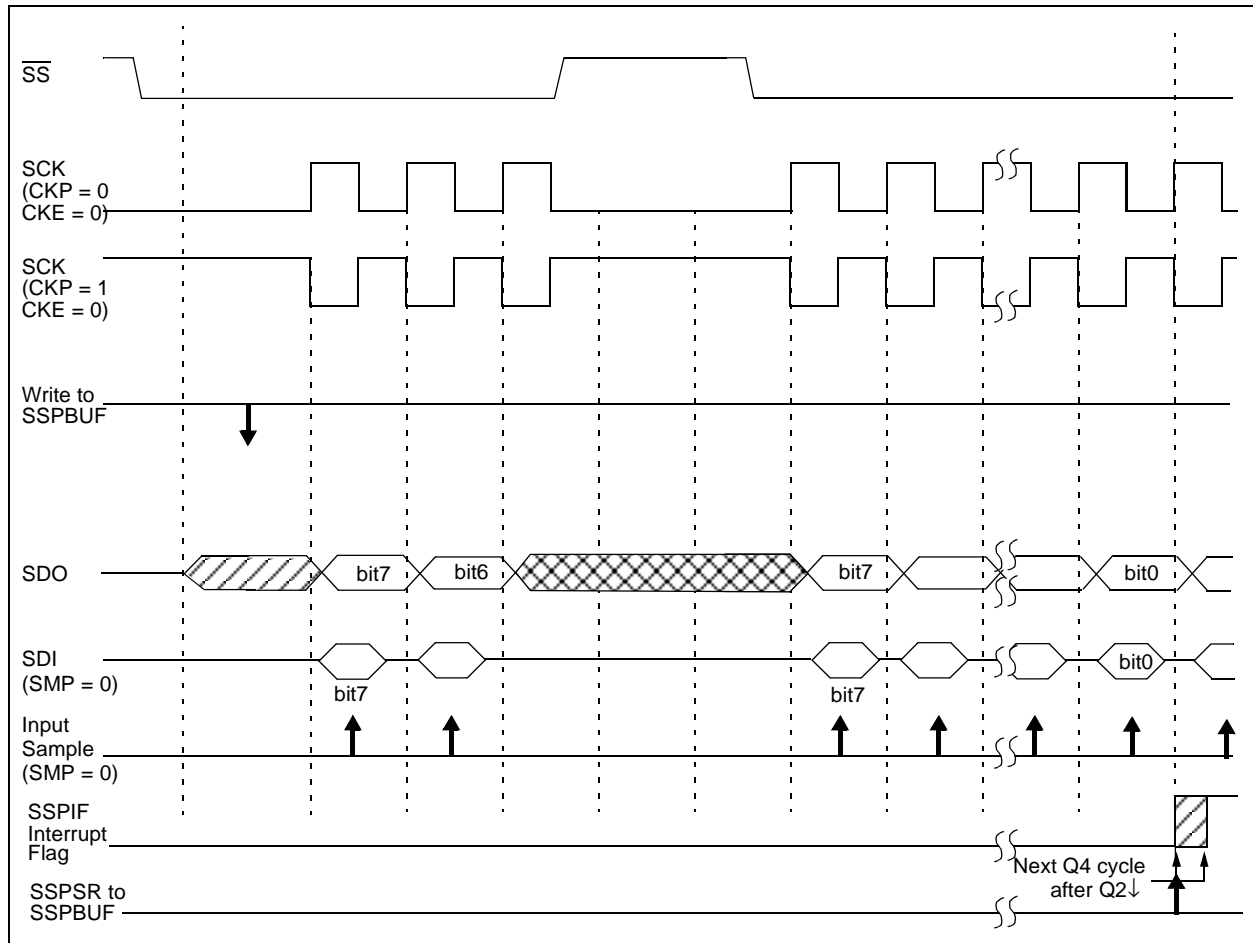
SDO pin is driven. When the  $\overline{SS}$  pin goes high, the SDO pin is no longer driven, even if in the middle of a transmitted byte, and becomes a floating output. External pull-up/ pull-down resistors may be desirable, depending on the application.

- Note 1:** When the SPI module is in Slave mode with  $\overline{SS}$  pin control enabled, (SSPCON<3:0> = 0100) the SPI module will RESET if the  $\overline{SS}$  pin is set to VDD.
- 2:** If the SPI is used in Slave Mode with CKE = '1', then  $\overline{SS}$  pin control must be enabled.

When the SPI module RESETS, the bit counter is forced to 0. This can be done by either forcing the  $\overline{SS}$  pin to a high level or clearing the SSPEN bit.

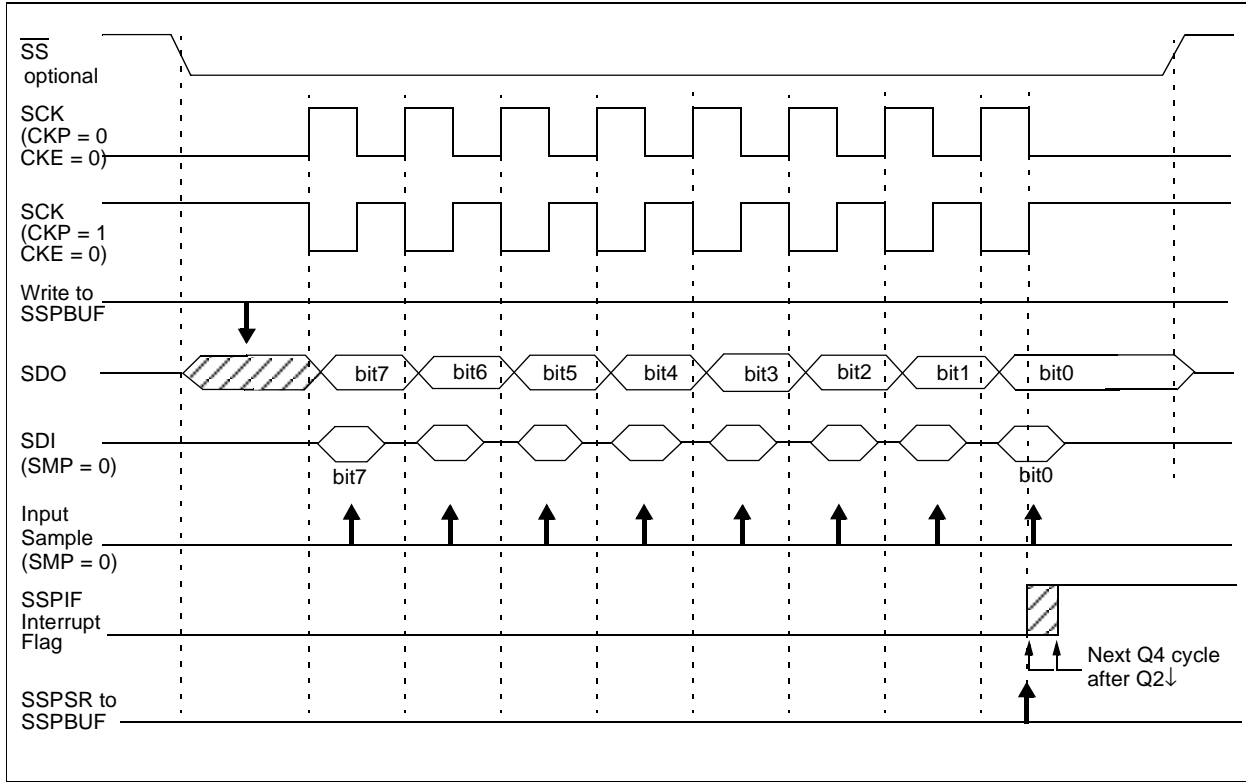
To emulate two-wire communication, the SDO pin can be connected to the SDI pin. When the SPI needs to operate as a receiver, the SDO pin can be configured as an input. This disables transmissions from the SDO. The SDI can always be left as an input (SDI function) since it cannot create a bus conflict.

**FIGURE 9-4: SLAVE SYNCHRONIZATION WAVEFORM**

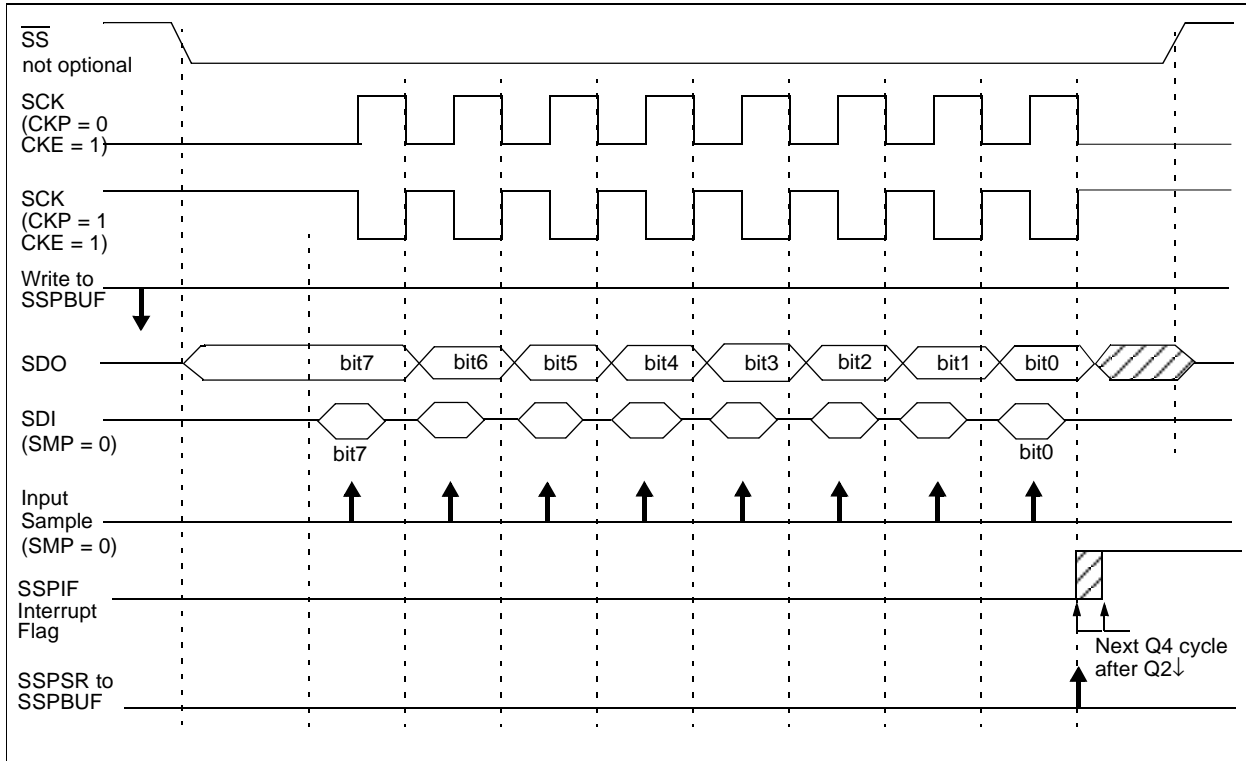


# PIC16C717/770/771

**FIGURE 9-5: SPI SLAVE MODE WAVEFORM (CKE = 0)**



**FIGURE 9-6: SPI SLAVE MODE WAVEFORM (CKE = 1)**



## 9.1.7 SLEEP OPERATION

In Master mode, all module clocks are halted and the transmission/reception will remain in that state until the device wakes from SLEEP. After the device returns to Normal mode, the module will continue to transmit/receive data.

In Slave mode, the SPI transmit/receive shift register operates asynchronously to the device. This allows the device to be placed in SLEEP mode and data to be shifted into the SPI transmit/receive shift register. When all eight bits have been received, the SSPIF interrupt flag bit will be set and if enabled will wake the device from SLEEP.

## 9.1.8 EFFECTS OF A RESET

A RESET disables the MSSP module and terminates the current transfer.

**TABLE 9-1: REGISTERS ASSOCIATED WITH SPI OPERATION**

Address	Name	Bit 7	Bit 6	Bit 5	Bit 4	Bit 3	Bit 2	Bit 1	Bit 0	POR, BOR	MCLR, WDT
0Bh, 8Bh, 10Bh, 18Bh	INTCON	GIE	PEIE	T0IE	INTE	RBIE	T0IF	INTF	RBIF	0000 000x	0000 000u
0Ch	PIR1	—	ADIF	—	—	SSPIF	CCP1IF	TMR2IF	TMR1IF	-0-- 0000	-0-- 0000
8Ch	PIE1	—	ADIE	—	—	SSPIE	CCP1IE	TMR2IE	TMR1IE	-0-- 0000	-0-- 0000
13h	SSPBUF	Synchronous Serial Port Receive Buffer/Transmit Register								xxxx xxxx	uuuu uuuu
14h	SSPCON	WCOL	SSPOV	SSPEN	CKP	SSPM3	SSPM2	SSPM1	SSPM0	0000 0000	0000 0000
94h	SSPSTAT	SMP	CKE	D/A	P	S	R/W	UA	BF	0000 0000	0000 0000
9Dh	ANSEL									--11 1111	--11 1111
86h	TRISB									1111 1111	1111 1111

Legend: x = unknown, u = unchanged, - = unimplemented read as '0'. Shaded cells are not used by the MSSP in SPI mode.

# PIC16C717/770/771

## 9.2 MSSP I<sup>2</sup>C Operation

The MSSP module in I<sup>2</sup>C mode fully implements all master and slave functions (including general call support) and provides interrupts on START and STOP bits in hardware to determine when the bus is free (multi-master function). The MSSP module implements the Standard mode specifications, as well as 7-bit and 10-bit addressing.

Two pins are used to transfer data. They are the SCL pin (clock) and the SDA pin (data). The MSSP module functions are enabled by setting SSP Enable bit SSPEN (SSPCON<5>). The SCL and SDA pins are "glitch" filtered when operating as inputs. This filter functions in both the 100 kHz and 400 kHz modes. When these pins operate as outputs in the 100 kHz mode, there is a slew rate control of the pin that is independent of device frequency.

Before selecting any I<sup>2</sup>C mode, the SCL and SDA pins must be programmed as inputs by setting the appropriate TRIS bits. This allows the MSSP module to configure and drive the I/O pins as required by the I<sup>2</sup>C protocol.

The MSSP module has six registers for I<sup>2</sup>C operation. They are listed below.

- SSP Control Register (SSPCON)
- SSP Control Register2 (SSPCON2)
- SSP STATUS Register (SSPSTAT)
- Serial Receive/Transmit Buffer (SSPBUF)
- SSP Shift Register (SSPSR) - Not directly accessible
- SSP Address Register (SSPADD)

The SSPCON register allows for control of the I<sup>2</sup>C operation. Four mode selection bits (SSPCON<3:0>) configure the MSSP as any one of the following I<sup>2</sup>C modes:

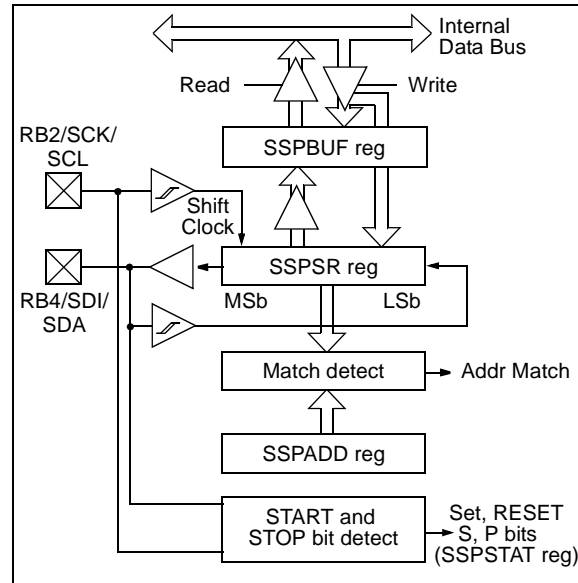
- I<sup>2</sup>C Slave mode (7-bit address)
- I<sup>2</sup>C Slave mode (10-bit address)
- I<sup>2</sup>C Master mode  
SCL Freq = Fosc / [4 • (SSPADD + 1)]
- I<sup>2</sup>C Slave mode with START and STOP interrupts (7-bit address)
- I<sup>2</sup>C Slave mode with START and STOP interrupts (10-bit address)
- Firmware Controlled Master mode

The SSPSTAT register gives the status of the data transfer. This information includes detection of a START (S) or STOP (P) bit. It specifies whether the received byte was data or address, if the next byte is the completion of 10-bit address, and if this will be a read or write data transfer.

SSPBUF is the register to which the transfer data is written, and from which the transfer data is read. The SSPSR register shifts the data in or out of the device. In receive operations, the SSPBUF and SSPSR create a doubled, buffered receiver. This allows reception of the next byte to begin before reading the last byte of received data. When the complete byte is received, it is

transferred from the SSPSR register to the SSPBUF register and flag bit SSPIF is set. If another complete byte is received before the SSPBUF register is read a receiver overflow occurs, in which case, the SSPOV bit (SSPCON<6>) is set and the byte in the SSPSR is lost.

**FIGURE 9-7: I<sup>2</sup>C SLAVE MODE BLOCK DIAGRAM**



### 9.2.1 UPWARD COMPATIBILITY WITH SSP MODULE

The MSSP module includes three SSP modes of operation to maintain upward compatibility with the SSP module. These modes are:

- Firmware controlled Master mode (slave idle)
- 7-bit Slave mode with START and STOP condition interrupts.
- 10-bit Slave mode with START and STOP condition interrupts.

The firmware controlled Master mode enables the START and STOP condition interrupts but all other I<sup>2</sup>C functions are generated through firmware including:

- Generating the START and STOP conditions
- Generating the SCL clock
- Supplying the SDA bits in the proper time and phase relationship to the SCL signal.

In firmware controlled Master mode, the SCL and SDA lines are manipulated by clearing and setting the corresponding TRIS bits. The output level is always low irrespective of the value(s) in the PORT register. A '1' is output by setting the TRIS bit and a '0' is output by clearing the TRIS bit

The 7-bit and 10-bit Slave modes with START and STOP condition interrupts operate identically to the MSSP Slave modes except that START and STOP conditions generate SSPIF interrupts.

For more information about these SSP modes see Section 15 of the *PICmicro™ Mid-Range MCU Family Reference Manual (DS33023)*.

## 9.2.2 SLAVE MODE

When an address is matched or the data transfer after an address match is received, the hardware automatically will generate the Acknowledge ( $\overline{ACK}$ ) pulse. Then, it loads the SSPBUF register with the received value currently in the SSPSR register.

Any combination of the following conditions will cause the MSSP module to generate a NACK pulse in lieu of the  $\overline{ACK}$  pulse:

- a) The buffer full bit BF (SSPSTAT<0>) is set before the transfer is received.
- b) The overflow bit SSPOV (SSPCON<6>) is set before the transfer is received.

If the BF bit is set, the SSPSR register value is not loaded into the SSPBUF. However, both the SSPIF and SSPOV bits are set. Table 9-2 shows what happens when a data transfer byte is received, given the status of bits BF and SSPOV. The shaded cells show the condition where user software did not properly clear the overflow condition. The BF flag bit is cleared by reading the SSPBUF register. The SSPOV flag bit is cleared through software.

The SCL clock input must have a minimum high and low time for proper operation. The high and low times of the I<sup>2</sup>C specification as well as the requirements of the MSSP module are shown in timing parameters #100 and #101 of the Electrical Specifications.

### 9.2.2.1 7-BIT ADDRESSING

Once the MSSP module has been enabled (SSPEN=1), the slave module waits for a START condition to occur. Following the START condition, eight bits are shifted into the SSPSR register. All incoming bits are sampled on the rising edge of the clock (SCL) line. The received address (register SSPSR<7:1>) is compared to the stored address (register SSPADD<7:1>). SSPSR<0> is the  $\overline{R/\overline{W}}$  bit and is not considered in the comparison. Comparison is made on the falling edge of the eighth clock (SCL) pulse. If the addresses match, and the BF and SSPOV bits are clear, the following events occur:

- a) The SSPSR register value is transferred to the SSPBUF register on the falling edge of the eighth SCL pulse.
- b) The buffer full bit; BF is set on the falling edge of the eighth SCL pulse.
- c) An  $\overline{ACK}$  pulse is generated during the ninth clock cycle.
- d) SSP interrupt flag bit; SSPIF (PIR1<3>) is set (interrupt is generated if enabled) - on the falling edge of the ninth SCL pulse.

### 9.2.2.2 10-BIT ADDRESSING

In 10-bit mode, the basic receive and transmit operations are the same as in the 7-bit mode. However, the criteria for address match are more complex.

Two address bytes need to be received by the slave. The five Most Significant bits (MSBs) of the first address byte specify that this is a 10-bit address. The LSb of the first received address byte is the  $\overline{R/\overline{W}}$  bit, which must be zero, specifying a write so the slave device will receive the second address byte. For a 10-bit address, the first byte equals '11110 A9 A8 0', where A9 and A8 are the two MSBs of the address. The sequence of events for a 10-bit address is as follows, with steps 7 through 9 applicable only to the slave-transmitter:

1. Receive first (high) byte of Address (bits SSPIF, BF, and bit UA (SSPSTAT<1>) are set).
2. Update the SSPADD register with second (low) byte of Address (clears bit UA and releases the SCL line).
3. Read the SSPBUF register (clears bit BF) and clear flag bit SSPIF.
4. Receive second (low) byte of Address (bits SSPIF, BF, and UA are set).
5. Update the SSPADD register with the first (high) byte of Address. This will clear bit UA and release the SCL line.
6. Read the SSPBUF register (clears bit BF) and clear flag bit SSPIF.
7. Receive Repeated START condition.
8. Receive first (high) byte of Address with  $\overline{R/\overline{W}}$  bit set to 1 (bits SSPIF and BF are set). This also puts the MSSP module in the Slave-transmit mode.
9. Read the SSPBUF register (clears bit BF) and clear flag bit SSPIF.

**Note:** Following the Repeated START condition (step 7) in 10-bit mode, the user only needs to match the first 7-bit address. The user does not update the SSPADD for the second half of the address.

# PIC16C717/770/771

## 9.2.2.3 SLAVE RECEPTION

When the  $R/\bar{W}$  bit of the address byte is clear ( $SSPSR<0> = 0$ ) and an address match occurs, the  $R/\bar{W}$  bit of the SSPSTAT register is cleared. The received address is loaded into the SSPBUF register on the falling edge of the eighth SCL pulse.

When the address byte overflow condition exists, then no Acknowledge ( $\bar{ACK}$ ) pulse is given. An overflow condition is defined as either bit BF ( $SSPSTAT<0>$ ) or bit SSPOV ( $SSPCON<6>$ ) is set.

An MSSP interrupt is generated for each data transfer byte. Flag bit SSPIF ( $PIR1<3>$ ) must be cleared in software. The SSPSTAT register is used to determine the status of the received byte.

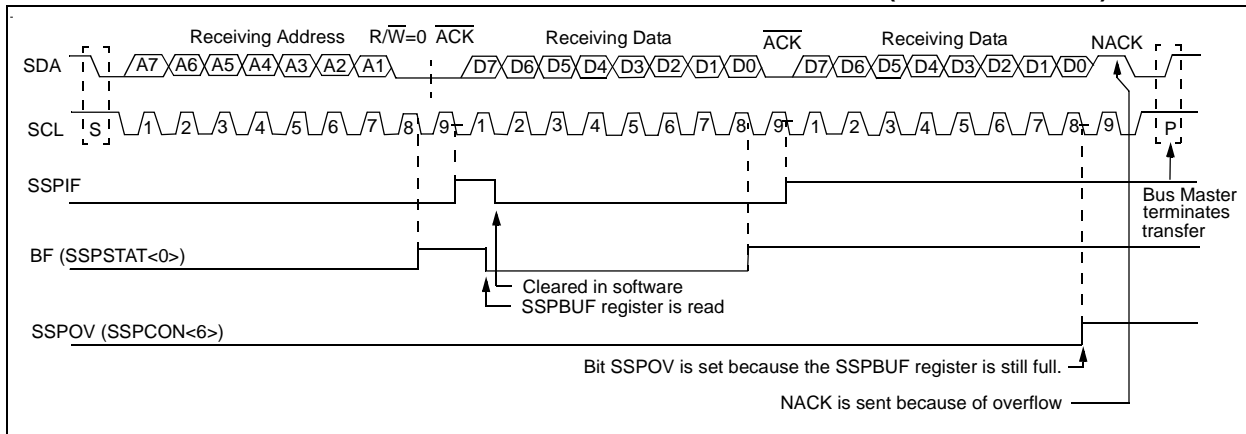
**Note:** The SSPBUF will be loaded if the SSPOV bit is set and the BF flag is cleared. If a read of the SSPBUF was performed, but the user did not clear the state of the SSPOV bit before the next receive occurred, the  $\bar{ACK}$  is not sent and the SSPBUF is updated.

**TABLE 9-2: DATA TRANSFER RECEIVED BYTE ACTIONS**

Status Bits as Data Transfer is Received		SSPSR → SSPBUF	Generate $\bar{ACK}$ Pulse	Set bit SSPIF (SSP Interrupt occurs if enabled)
BF	SSPOV			
0	0	Yes	Yes	Yes
1	0	No	No	Yes
1	1	No	No	Yes
0	1	Yes	No	Yes

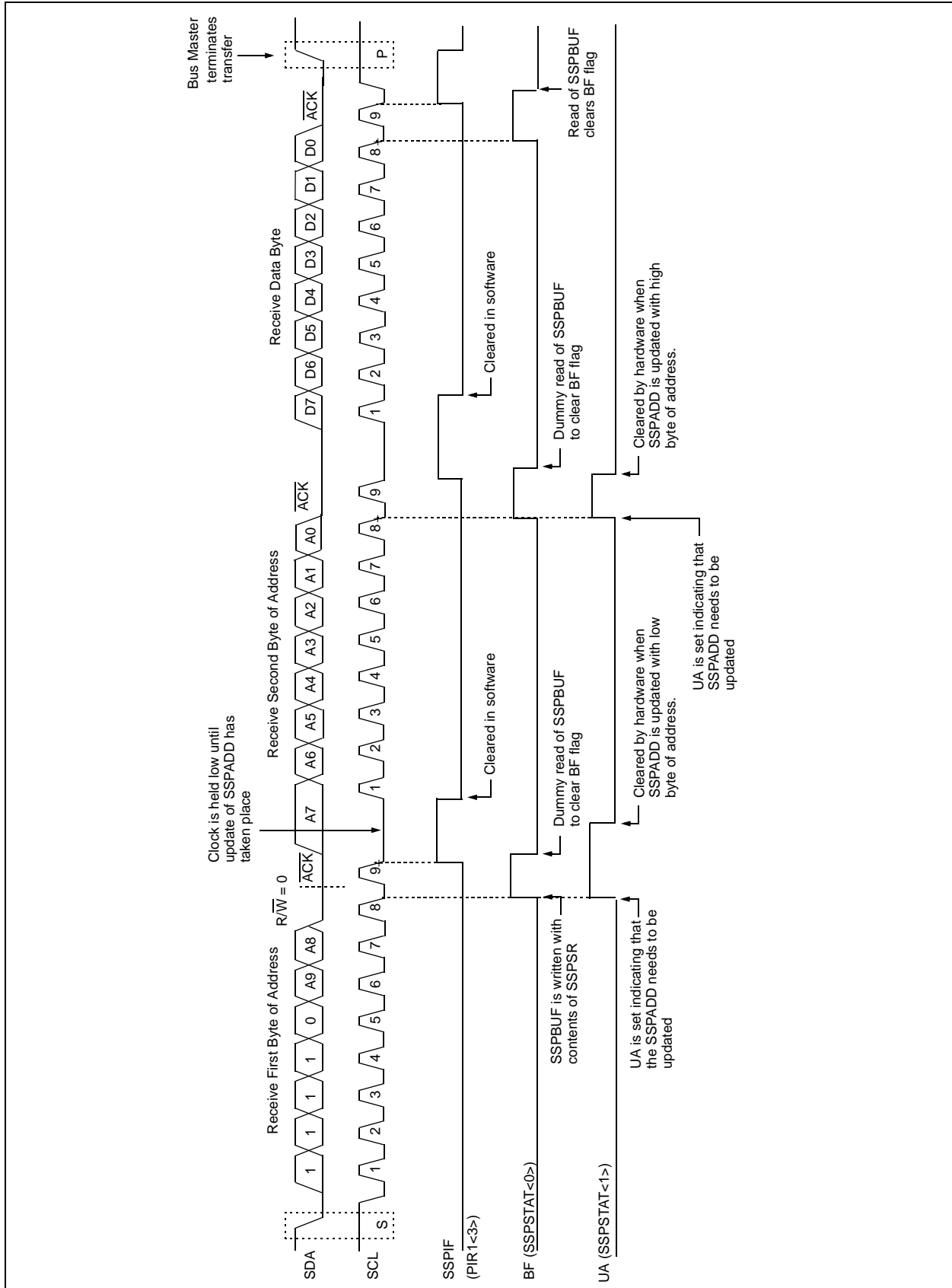
**Note 1:** Shaded cells show the conditions where the user software did not properly clear the overflow condition.

**FIGURE 9-8: I<sup>2</sup>C SLAVE MODE WAVEFORMS FOR RECEPTION (7-BIT ADDRESS)**





**FIGURE 9-9: I<sup>2</sup>C SLAVE MODE FOR RECEPTION (10-BIT ADDRESS)**



# PIC16C717/770/771

## 9.2.2.4 SLAVE TRANSMISSION

When the  $R/\overline{W}$  bit of the incoming address byte is set and an address match occurs, the  $R/\overline{W}$  bit of the SSPSTAT register is set. The received address is loaded into the SSPBUF register on the falling edge of the eighth SCL pulse. The  $\overline{ACK}$  pulse will be sent on the ninth bit, and the SCL pin is held low. The slave module automatically stretches the clock by holding the SCL line low so that the master will be unable to assert another clock pulse until the slave is finished preparing the transmit data. The transmit data must be loaded into the SSPBUF register, which also loads the SSPSR register. The CKP bit (SSPCON<4>) must then be set to release the SCL pin from the forced low condition. The eight data bits are shifted out on the falling edges of the SCL input. This ensures that the SDA signal is valid during the SCL high time (Figure 9-10).

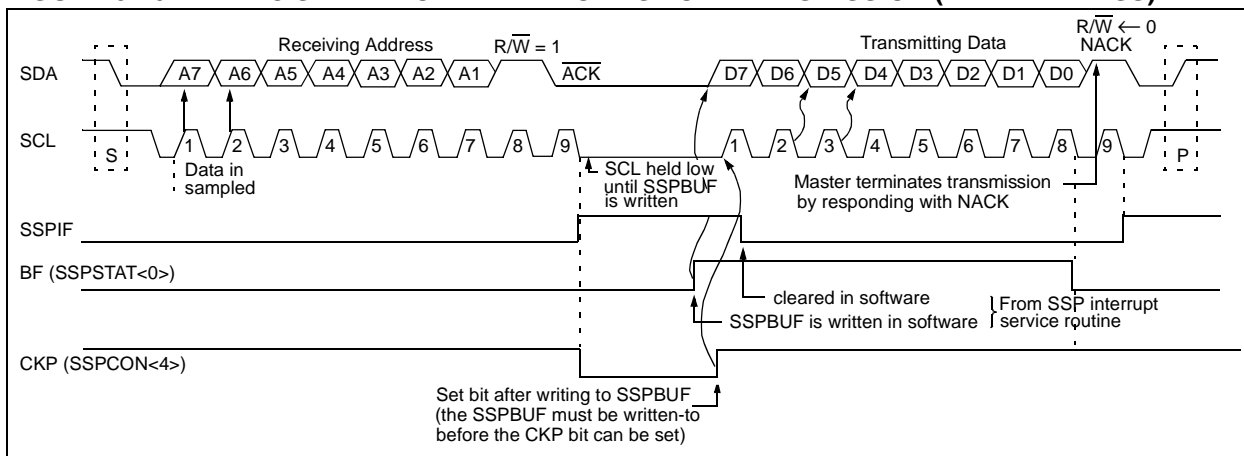
The  $\overline{ACK}$  or NACK signal from the master-receiver is latched on the rising edge of the ninth SCL input pulse. The master-receiver terminates slave transmission by

sending a NACK. If the SDA line is high (NACK), then the data transfer is complete. When the NACK is latched by the slave, the slave logic is RESET which also resets the  $R/\overline{W}$  bit to '0'. The slave module then monitors for another occurrence of the START bit. The slave firmware knows not to load another byte into the SSPBUF register by sensing that the buffer is empty ( $BF = 0$ ) and the  $R/\overline{W}$  bit has gone low. If the SDA line is low ( $\overline{ACK}$ ), the  $R/\overline{W}$  bit remains high indicating that the next transmit data must be loaded into the SSPBUF register.

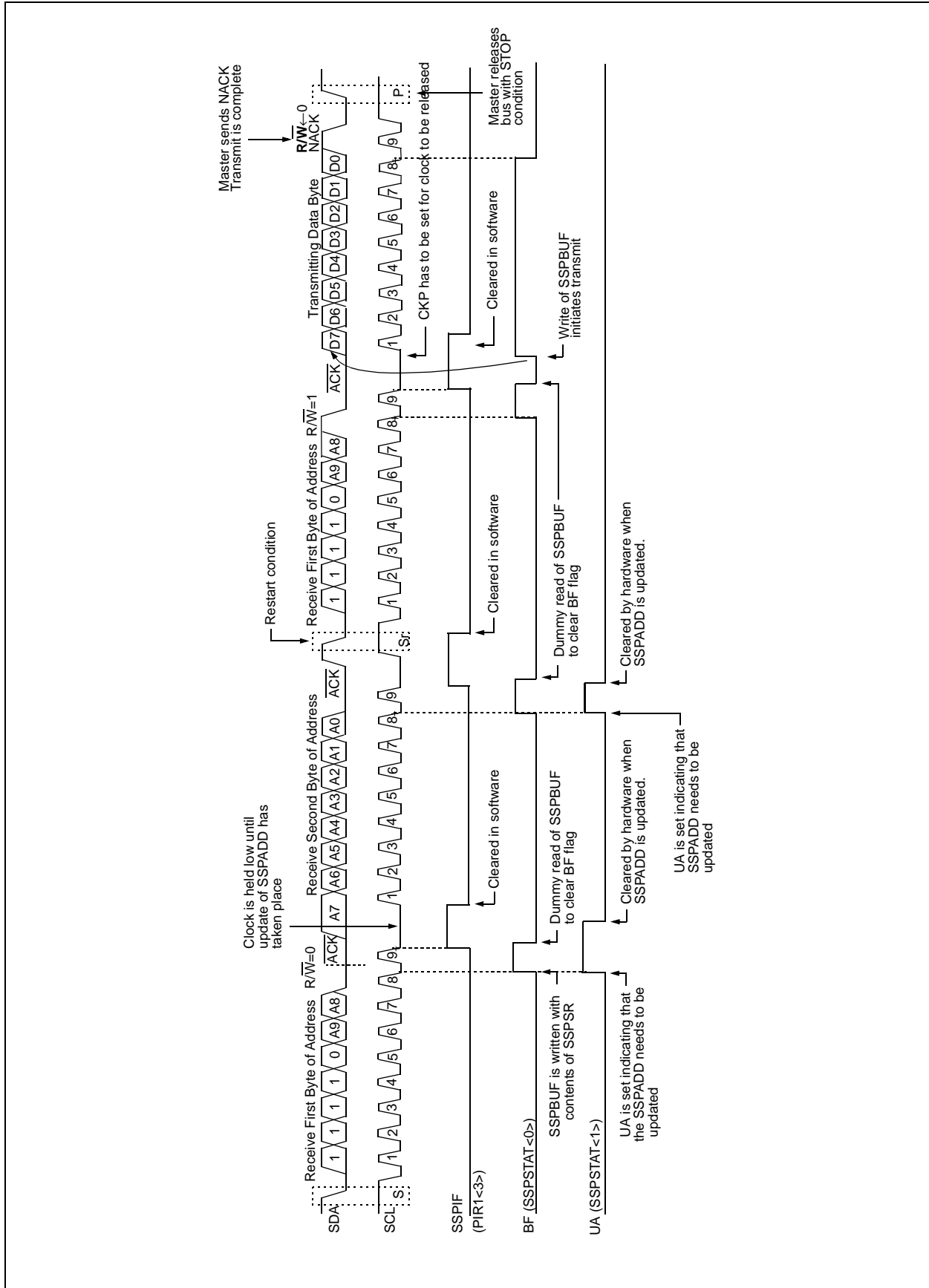
An MSSP interrupt (SSPIF flag) is generated for each data transfer byte on the falling edge of the ninth clock pulse. The SSPIF flag bit must be cleared in software. The SSPSTAT register is used to determine the status of the byte transfer.

For more information about the I<sup>2</sup>C Slave mode, refer to Application Note AN734, "Using the PICmicro<sup>®</sup> SSP for Slave I<sup>2</sup>C™ Communication".

**FIGURE 9-10: I<sup>2</sup>C SLAVE MODE WAVEFORMS FOR TRANSMISSION (7-BIT ADDRESS)**



**FIGURE 9-11: I<sup>2</sup>C SLAVE MODE WAVEFORMS FOR TRANSMISSION (10-BIT ADDRESS)**



# PIC16C717/770/771

## 9.2.3 GENERAL CALL ADDRESS SUPPORT

The addressing procedure for the I<sup>2</sup>C bus is such that the first byte after the START condition usually determines which device will be the slave addressed by the master. The exception is the general call address, which can address all devices. When this address is used, all devices should, in theory, respond with an Acknowledge.

The general call address is one of eight addresses reserved for specific purposes by the I<sup>2</sup>C protocol. It consists of all 0's with R/W = 0

The general call address is recognized when the General Call Enable bit (GCEN) is set (SSPCON2<7> is set). Following a START bit detect, eight bits are shifted

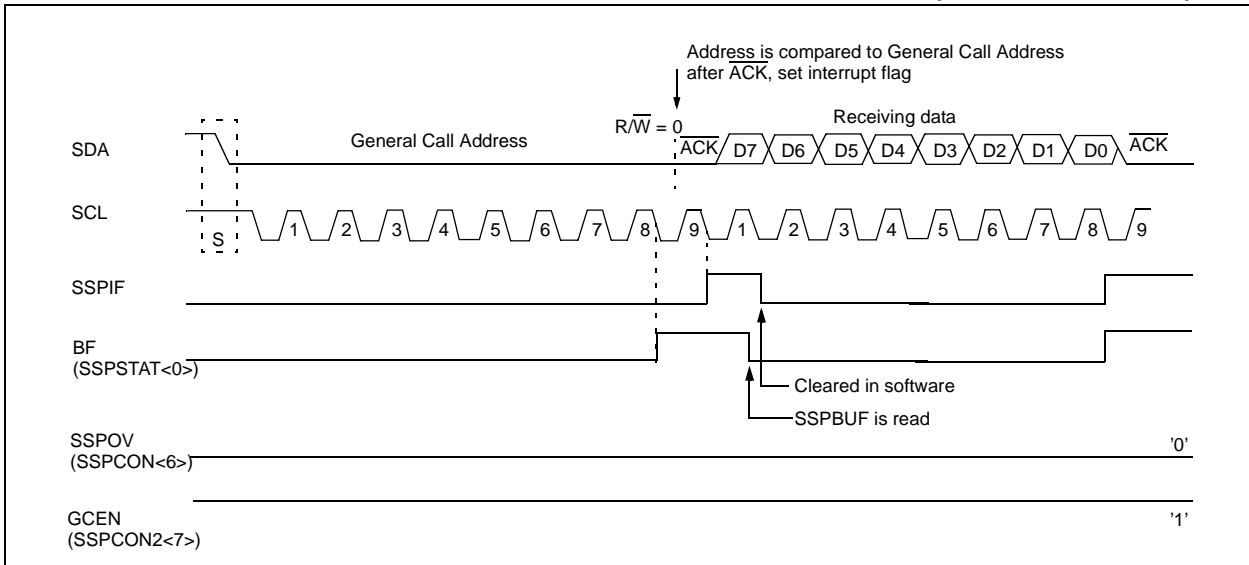
into the SSPSR, and the address is compared against SSPADD. It is also compared to the general call address, fixed in hardware.

If the general call address matches, the SSPSR is transferred to the SSPBUF, the BF flag is set (eighth bit), and on the falling edge of the ninth bit ( $\overline{\text{ACK}}$  bit), the SSPIF flag is set.

When the interrupt is serviced, the source for the interrupt can be checked by reading the contents of the SSPBUF to determine if the address was device specific or a general call address.

If the general call address is sampled with GCEN set and the slave configured in 10-bit Address mode, the second half of the address is not necessary. The UA bit will not be set and the slave will begin receiving data after the Acknowledge (Figure 9-12).

**FIGURE 9-12: SLAVE MODE GENERAL CALL ADDRESS SEQUENCE (7- OR 10-BIT MODE)**



## 9.2.4 SLEEP OPERATION

While in SLEEP mode, the I<sup>2</sup>C slave module can receive addresses or data. When an address match or complete byte transfer occurs, it wakes the processor from SLEEP (if the SSP interrupt bit is enabled).

## 9.2.5 EFFECTS OF A RESET

A RESET disables the MSSP module and terminates the current transfer.

## 9.2.6 MASTER MODE

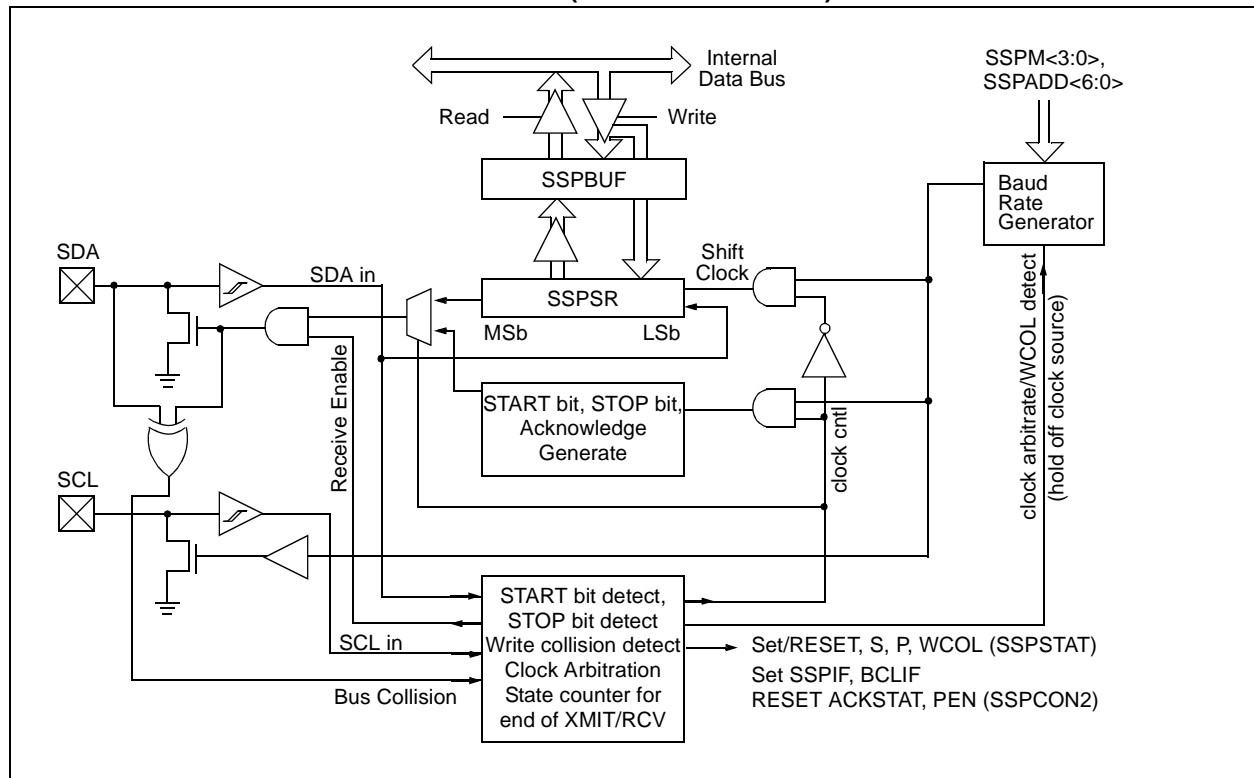
Master mode operation supports interrupt generation on the detection of the START and STOP conditions. The STOP (P) and START (S) bits are cleared from a RESET or when the MSSP module is disabled. Control of the I<sup>2</sup>C bus may be taken when the P bit is set or the bus is idle with both the S and P bits clear.

In Master mode, the SCL and SDA lines are manipulated by the MSSP hardware.

The following events will cause SSP Interrupt Flag bit (SSPIF) to be set (SSP Interrupt, if enabled):

- START condition
- STOP condition
- Data transfer byte transmitted/received
- Acknowledge transmit
- Repeated START

**FIGURE 9-13: MSSP BLOCK DIAGRAM (I<sup>2</sup>C MASTER MODE)**



# PIC16C717/770/771

## 9.2.7 MULTI-MASTER OPERATION

In Multi-Master mode, the interrupt generation on the detection of the START and STOP conditions allows the determination of when the bus is free. The STOP (P) and START (S) bits are cleared from a RESET or when the MSSP module is disabled. Control of the I<sup>2</sup>C bus may be taken when bit P (SSPSTAT<4>) is set, or the bus is idle with both the S and P bits clear. When the bus is busy, enabling the SSP Interrupt will generate the interrupt when the STOP condition occurs.

In multi-master operation, the SDA line must be monitored for arbitration to see if the signal level is the expected output level. This check is performed in hardware, with the result placed in the BCLIF bit.

The states where arbitration can be lost are:

- Address Transfer
- Data Transfer
- A START Condition
- A Repeated START Condition
- An Acknowledge Condition

Refer to Application Note AN578, "Use of the SSP Module in the I<sup>2</sup>C™ Multi-Master Environment."

## 9.2.8 I<sup>2</sup>C MASTER OPERATION

Master mode is enabled by setting and clearing the appropriate SSPM bits in SSPCON and by setting the SSPEN bit. Once Master mode is enabled, the user has six options.

1. Assert a START condition on SDA and SCL.
2. Assert a Repeated START condition on SDA and SCL.
3. Write to the SSPBUF register initiating transmission of data/address.
4. Generate a STOP condition on SDA and SCL.
5. Configure the I<sup>2</sup>C port to receive data.
6. Generate an Acknowledge condition at the end of a received byte of data.

The master device generates all serial clock pulses and the START and STOP conditions. A transfer is ended with a STOP condition or with a Repeated START condition. Since the Repeated START condition is also the beginning of the next serial transfer, the I<sup>2</sup>C bus will not be released.

**Note:** The MSSP Module, when configured in I<sup>2</sup>C Master mode, does not allow queuing of events. For instance, the user is not allowed to initiate a START condition and immediately write the SSPBUF register to initiate transmission before the START condition is complete. In this case, the SSPBUF will not be written to, and the WCOL bit will be set, indicating that a write to the SSPBUF did not occur.

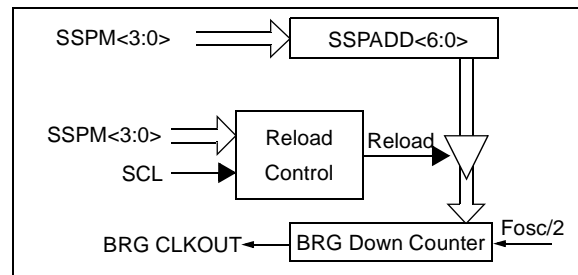
## 9.2.9 BAUD RATE GENERATOR

The baud rate generator used for SPI mode operation is used in the I<sup>2</sup>C Master mode to set the SCL clock frequency. Standard SCL clock frequencies are 100 kHz, 400 kHz, and 1 MHz. One of these frequencies can be achieved by setting the SSPADD register to the appropriate number for the selected Fosc frequency. One half of the SCL period is equal to  $[(SSPADD+1) \bullet 2]/F_{osc}$ .

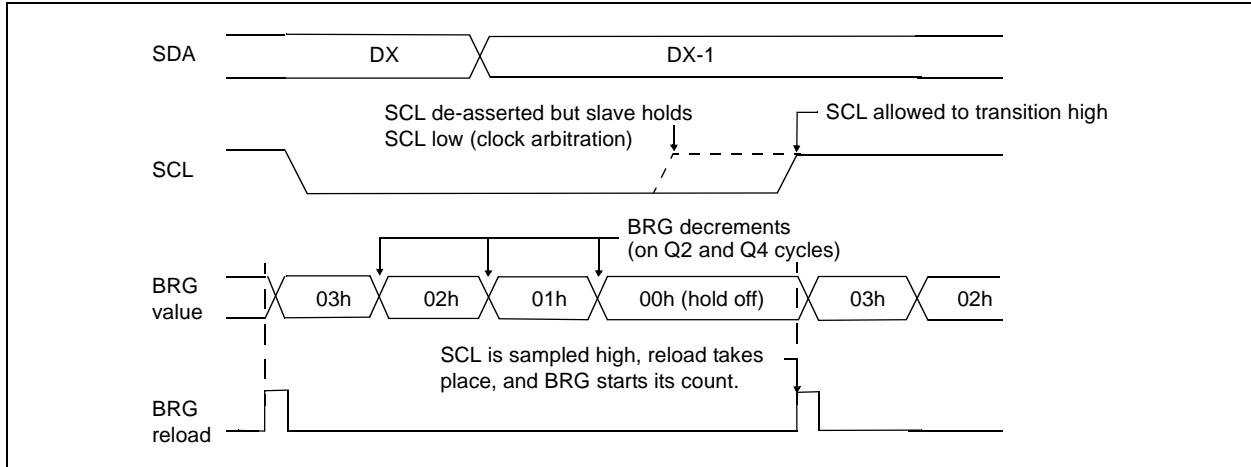
The baud rate generator reload value is contained in the lower seven bits of the SSPADD register (Figure 9-14). When the BRG is loaded with this value, the BRG counts down to 0 and stops until another reload occurs. The BRG count is decremented twice per instruction cycle (TCY) on the Q2 and Q4 clock.

In I<sup>2</sup>C Master mode, the BRG is reloaded automatically provided that the SCL line is sampled high. For example, if Clock Arbitration is taking place, the BRG reload will be suppressed until the SCL line is released by the slave allowing the pin to float high (Figure 9-15).

**FIGURE 9-14: BAUD RATE GENERATOR BLOCK DIAGRAM**



**FIGURE 9-15: BAUD RATE GENERATOR TIMING WITH CLOCK ARBITRATION**



## 9.2.10 I<sup>2</sup>C MASTER MODE START CONDITION TIMING

To initiate a START condition, the user sets the START condition enable bit, SEN (SSPCON2<0>). If the SDA and SCL pins are sampled high, indicating that the bus is available, the baud rate generator is loaded with the contents of SSPADD<6:0> and starts its count. If SCL and SDA are both sampled high when the baud rate generator times out (TBRG) indicating the bus is still available, the SDA pin is driven low. The SDA transition from high to low while SCL is high is the START condition. This causes the S bit (SSPSTAT<3>) to be set. When the S bit is set, the baud rate generator is reloaded with the contents of SSPADD<6:0> and resumes its count. When the baud rate generator times out (TBRG) the START condition is complete, concurrent with the following events:

- The SEN bit (SSPCON2<0>) is automatically cleared by hardware,
- The baud rate generator is suspended leaving the SDA line held low.
- The SSPIF flag is set.

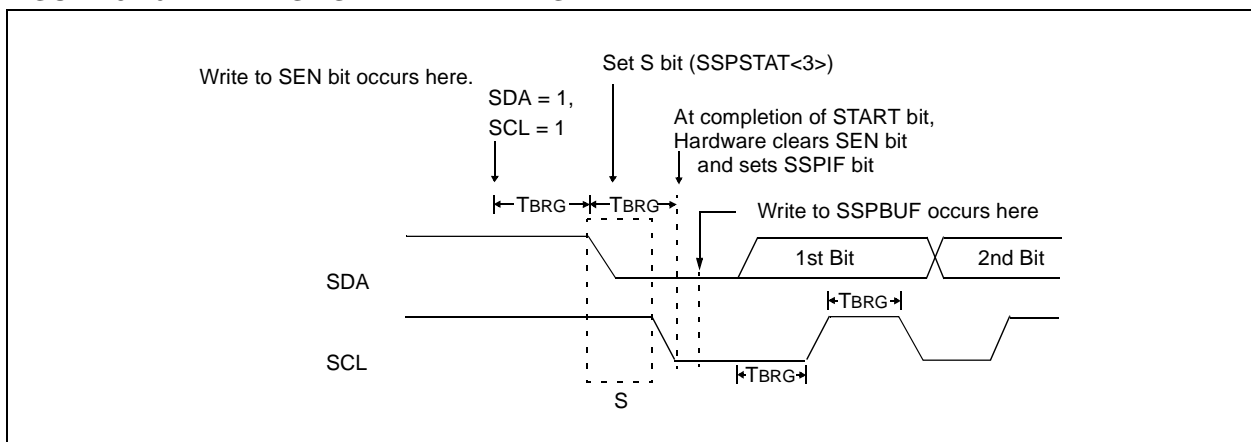
**Note:** If at the beginning of START condition, the SDA and SCL pins are already sampled low, or if during the START condition, the SCL line is sampled low before the SDA line is driven low, a bus collision occurs. Thus, the Bus Collision Interrupt Flag (BCLIF) is set, the START condition is aborted, and the I<sup>2</sup>C module is RESET into its IDLE state.

### 9.2.10.1 WCOL STATUS FLAG

If the user writes the SSPBUF when a START sequence is in progress, the WCOL is set and the contents of the buffer are unchanged (the write doesn't occur).

**Note:** Because queuing of events is not allowed, writing to the lower five bits of SSPCON2 is disabled until the START condition is complete.

**FIGURE 9-16: FIRST START BIT TIMING**



# PIC16C717/770/771

## 9.2.11 I<sup>2</sup>C MASTER MODE REPEATED START CONDITION TIMING

A Repeated START condition occurs when the RSEN bit (SSPCON2<1>) is set high while the I<sup>2</sup>C module is in the idle state. When the RSEN bit is set, the SCL pin is asserted low. When the SCL pin is sampled low, the baud rate generator is loaded with the contents of SSPADD<6:0> and begins counting. The SDA pin is released (brought high) for one baud rate generator count (TBRG). When the baud rate generator times out, if SDA is sampled high, the SCL pin will be de-asserted (brought high). When SCL is sampled high, the baud rate generator is reloaded with the contents of SSPADD<6:0> and begins counting. SDA and SCL must be sampled high for one TBRG period. This action is then followed by assertion of the SDA pin (SDA is low) for one TBRG period while SCL is high. As soon as a START condition is detected on the SDA and SCL pins, the S bit (SSPSTAT<3>) will be set. Following this, the baud rate generator is reloaded with the contents of SSPAD<6:0> and begins counting. When the BRG times out a third time, the RSEN bit in the SSPCON2 register is automatically cleared and SCL is pulled low. The SSPIF flag is set, which indicates the Restart sequence is complete.

Immediately following the SSPIF bit transition to true, the user may write the SSPBUF with the 7-bit address in 7-bit mode, or the default first address in 10-bit mode. After the first eight bits are transmitted and an ACK is received, the user may then perform one of the following:

- Transmit an additional eight bits of address (if the user transmitted the first half of a 10-bit address with  $R/\overline{W} = 0$ ),
- Transmit eight bits of data (if the user transmitted a 7-bit address with  $R/\overline{W} = 0$ ), or
- Receive eight bits of data (if the user transmitted either the first half of a 10-bit address or a 7-bit address with  $R/\overline{W} = 1$ ).

### 9.2.11.1 WCOL STATUS FLAG

If the user writes the SSPBUF when a Repeated START sequence is in progress, then WCOL is set and the contents of the buffer are unchanged (the write doesn't occur).

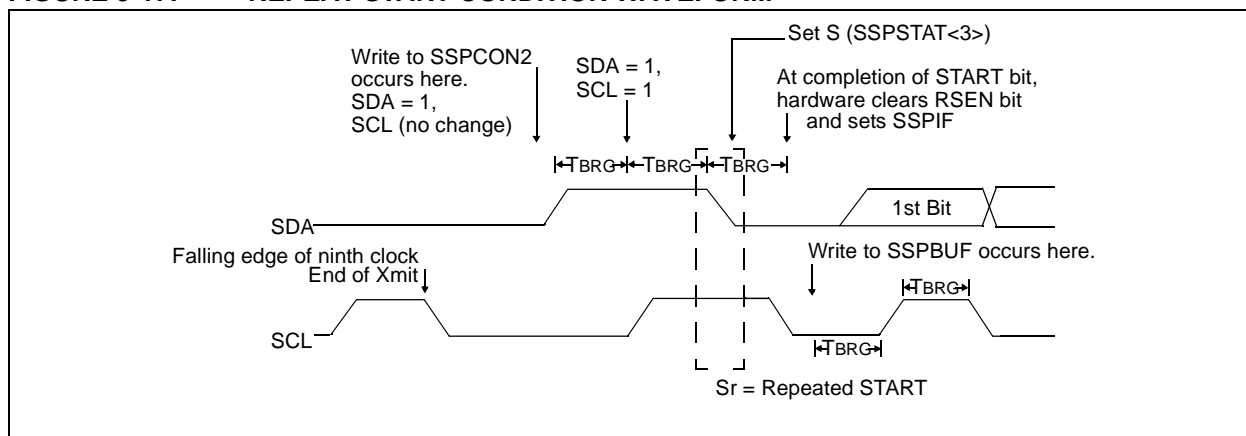
**Note:** Because queueing of events is not allowed, writing of the lower five bits of SSPCON2 is disabled until the Repeated START condition is complete.

**Note 1:** If RSEN is set while another event is in progress, it will not take effect. Queuing of events is not allowed.

**2:** A bus collision during the Repeated START condition occurs if either of the following is true:

- SDA is sampled low when SCL goes from low to high.
- SCL goes low before SDA is asserted low. This may indicate that another master is attempting to transmit a data "1".

**FIGURE 9-17: REPEAT START CONDITION WAVEFORM**





## 9.2.12 I<sup>2</sup>C MASTER MODE TRANSMISSION

In Master-transmitter mode, serial data is output through SDA, while SCL outputs the serial clock. The first byte transmitted contains seven bits of address data and the Read/Write (R/W) bit. In this case, the R/W bit will be logic '0'. Subsequent serial data is transmitted eight bits at a time. After each byte is transmitted, an Acknowledge bit is received. START and STOP conditions are output to indicate the beginning and the end of a serial transfer.

Transmission of a data byte, a 7-bit address, or either half of a 10-bit address is accomplished by simply writing a value to the SSPBUF register. This action will set the buffer full flag (BF) and allow the baud rate generator to begin counting and start the next transmission. Each bit of address/data will be shifted out onto the SDA pin after the falling edge of SCL is asserted (see data hold time spec). SCL is held low for one baud rate generator roll over count (TBRG). Data should be valid before SCL is released high (see data setup time spec). When the SCL pin is released high, it is held that way for TBRG, the data on the SDA pin must remain stable for that duration and some hold time after the next falling edge of SCL. After the eighth bit is shifted out (the falling edge of the eighth clock), the BF flag is cleared and the master releases SDA. This allows the slave device being addressed to respond with an  $\overline{\text{ACK}}$  bit during the ninth bit time. The status of  $\overline{\text{ACK}}$  is read into the ACKDT on the rising edge of the ninth clock. If the master receives an Acknowledge, the Acknowledge status bit (ACKSTAT) is cleared. Otherwise, the bit is set. The SSPIF is set on the falling edge of the ninth clock, and the master clock (baud rate generator) is suspended until the next data byte is loaded into the SSPBUF leaving SCL low and SDA unchanged (Figure 9-18).

A typical transmit sequence would go as follows:

- a) The user generates a START Condition by setting the START enable bit (SEN) in SSPCON2.
- b) SSPIF is set at the completion of the START sequence.
- c) The user resets the SSPIF bit and loads the SSPBUF with seven bits of address plus R/W bit to transmit.
- d) Address and R/W is shifted out the SDA pin until all eight bits are transmitted.
- e) The MSSP Module shifts in the  $\overline{\text{ACK}}$  bit from the slave device, and writes its value into the SSPCON2 register (SSPCON2<6>).
- f) The module generates an interrupt at the end of the ninth clock cycle by setting SSPIF.
- g) The user resets the SSPIF bit and loads the SSPBUF with eight bits of data.
- h) DATA is shifted out the SDA pin until all eight bits are transmitted.
- i) The MSSP Module shifts in the  $\overline{\text{ACK}}$  bit from the slave device and writes its value into the SSPCON2 register (SSPCON2<6>).
- j) The MSSP module generates an interrupt at the end of the ninth clock cycle by setting the SSPIF bit.
- k) The user resets the SSPIF bit and generates a STOP condition by setting the STOP enable bit PEN in SSPCON2.
- l) SSPIF is set when the STOP condition is complete.

### 9.2.12.1 BF STATUS FLAG

In Transmit mode, the BF bit (SSPSTAT<0>) is set when the CPU writes to SSPBUF and is cleared when all eight bits are shifted out.

### 9.2.12.2 WCOL STATUS FLAG

If the user writes the SSPBUF when a transmit is already in progress (i.e. SSPSR is still shifting out a data byte), then WCOL is set and the contents of the buffer are unchanged (the write doesn't occur).

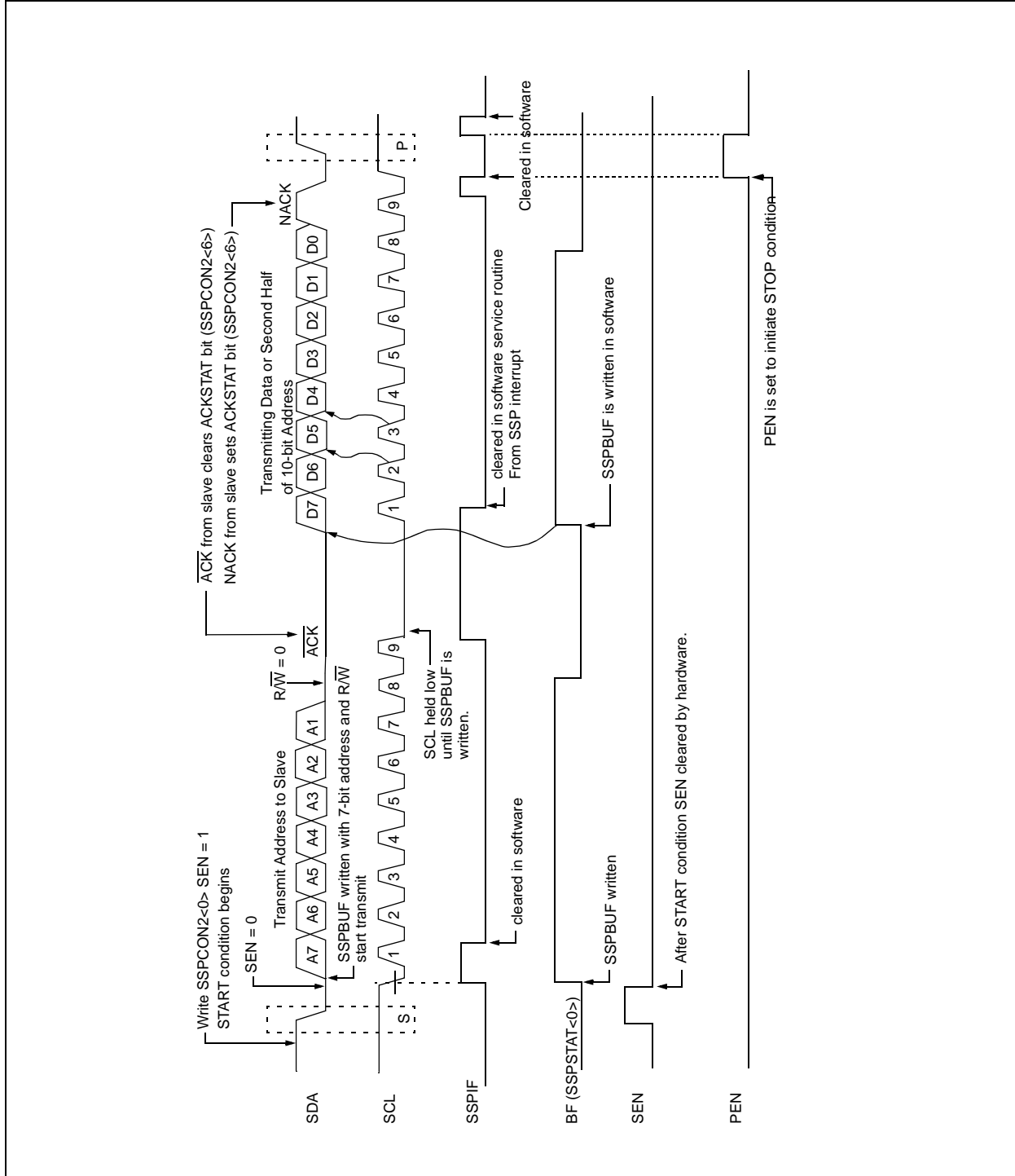
WCOL must be cleared in software.

### 9.2.12.3 ACKSTAT STATUS FLAG

In Transmit mode, the ACKSTAT bit (SSPCON2<6>) is cleared when the slave has sent an Acknowledge ( $\overline{\text{ACK}} = 0$ ), and is set when the slave does not Acknowledge ( $\overline{\text{ACK}} = 1$ ). A slave sends an Acknowledge when it has recognized its address (including a general call), or when the slave has properly received its data.

# PIC16C717/770/771

FIGURE 9-18: I<sup>2</sup>C MASTER MODE WAVEFORMS FOR TRANSMISSION (7 OR 10-BIT ADDRESS)



## 9.2.13 I<sup>2</sup>C MASTER MODE RECEPTION

In Master-receive mode, the first byte transmitted contains seven bits of address data and the R/W bit. In this case, the R/W bit will be logic '1'. Thus, the first byte transmitted is a 7-bit slave address followed by a '1' to indicate receive. Serial data is received via SDA, while SCL outputs the serial clock. Serial data is received eight bits at a time. After each byte is received, an Acknowledge bit is transmitted. The START condition indicates the beginning of a transmission. The master-receiver terminates slave transmission by responding to the last byte with a NACK Acknowledge and follows this with a STOP condition to indicate to other masters that the bus is free.

Master mode reception is enabled by setting the receive enable bit, RCEN (SSPCON2<3>), immediately following the Acknowledge sequence.

**Note:** The MSSP Module must be in an IDLE STATE before the RCEN bit is set or the RCEN bit will be disregarded.

The baud rate generator begins counting, and on each rollover, the state of the SCL pin changes (high to low/low to high) and data is shifted into the SSPSR. After the falling edge of the eighth clock, the following events occur:

- The receive enable bit is automatically cleared.
- The contents of the SSPSR are loaded into the SSPBUF.
- The BF flag is set.
- The SSPIF is set.
- The baud rate generator is suspended from counting, holding SCL low.

The SSP is now in IDLE state, awaiting the next command. When the buffer is read by the CPU, the BF flag is automatically cleared. The user can then send an Acknowledge bit at the end of reception by clearing the ACKDT bit (SSPCON2<5>) and setting the Acknowledge sequence enable bit, ACKEN (SSPCON2<4>).

A typical receive sequence would go as follows:

- a) The user generates a START Condition by setting the START enable bit (SEN) in SSPCON2.
- b) SSPIF is set at the completion of the START sequence.
- c) The user resets the SSPIF bit and loads the SSPBUF with seven bits of address in the MSBs and the LSb (R/W bit) set to '1' for receive.
- d) Address and R/W is shifted out the SDA pin until all eight bits are transmitted.
- e) The MSSP Module shifts in the ACK bit from the slave device, and writes its value into the SSPCON2 register (SSPCON2<6>).
- f) The module generates an interrupt at the end of the ninth clock cycle by setting SSPIF.
- g) The user resets the SSPIF bit and sets the RCEN bit to enable reception.
- h) DATA is shifted into the SDA pin until all eight bits are received.
- i) The MSSP module sets the SSPIF bit and clears the RCEN bit at the falling edge of the eighth clock.
- j) The user resets the SSPIF bit and sets the ACKDT bit to '0' (ACK), if another byte is anticipated. Otherwise, the ACKDT bit is set to '1' (NACK) to terminate reception. The user sets ADKEN to start the Acknowledge sequence.
- k) The MSSP module sets the SSPIF bit at the completion of the Acknowledge.
- l) If a NACK was sent in step ( j ), then the user proceeds with step ( m ). Otherwise, reception continues by repeating steps ( g ) through ( j ).
- m) The user generates a STOP condition by setting the STOP enable bit PEN in SSPCON2.
- n) SSPIF is set when the STOP condition is complete.

### 9.2.13.1 BF STATUS FLAG

In receive operation, BF is set when an address or data byte is loaded into SSPBUF from SSPSR. It is cleared by hardware when SSPBUF is read.

### 9.2.13.2 SSPOV STATUS FLAG

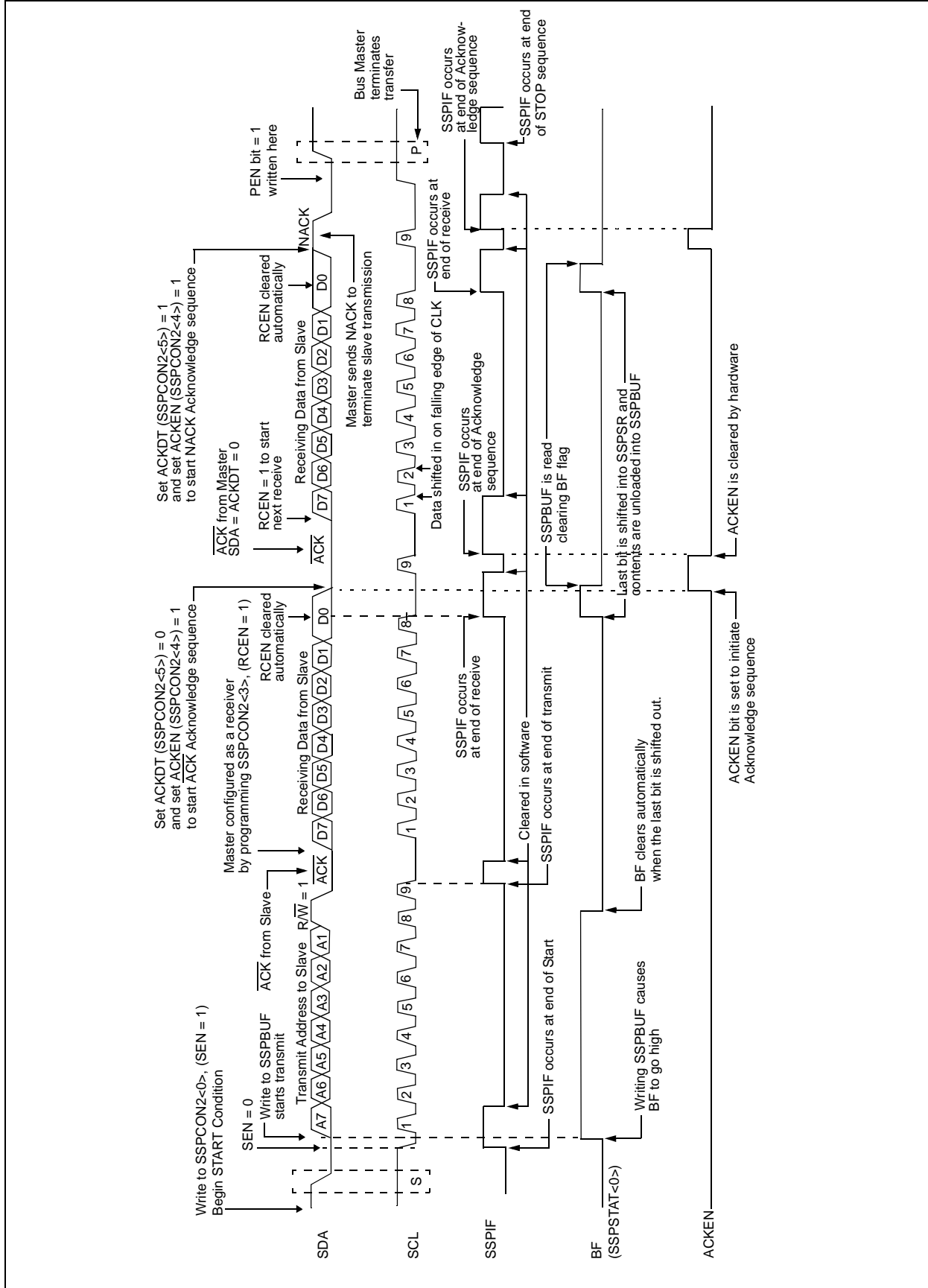
In receive operation, SSPOV is set when eight bits are received into the SSPSR and the BF flag is already set from a previous reception.

### 9.2.13.3 WCOL STATUS FLAG

If the user writes the SSPBUF when a receive is already in progress (i.e., SSPSR is still shifting in a data byte), then WCOL is set and the contents of the buffer are unchanged (the write doesn't occur).

# PIC16C717/770/771

FIGURE 9-19: I<sup>2</sup>C MASTER WAVEFORMS FOR RECEPTION (7-BIT ADDRESS)



## 9.2.14 ACKNOWLEDGE SEQUENCE TIMING

An Acknowledge sequence is enabled by setting the Acknowledge sequence enable bit, ACKEN (SSPCON2<4>). When this bit is set, the SCL pin is pulled low and the contents of the Acknowledge data bit ACKDT (SSPCON2<5>) is presented on the SDA pin. If the user wishes to generate an Acknowledge (ACK), then the ACKDT bit should be cleared. Otherwise, the user should set the ACKDT bit (NACK) before starting an Acknowledge sequence. The baud rate generator is then loaded from SSPADD<6:0> and counts for one rollover period (TBRG). The SCL pin is then de-asserted (pulled high). When the SCL pin is sampled high (clock

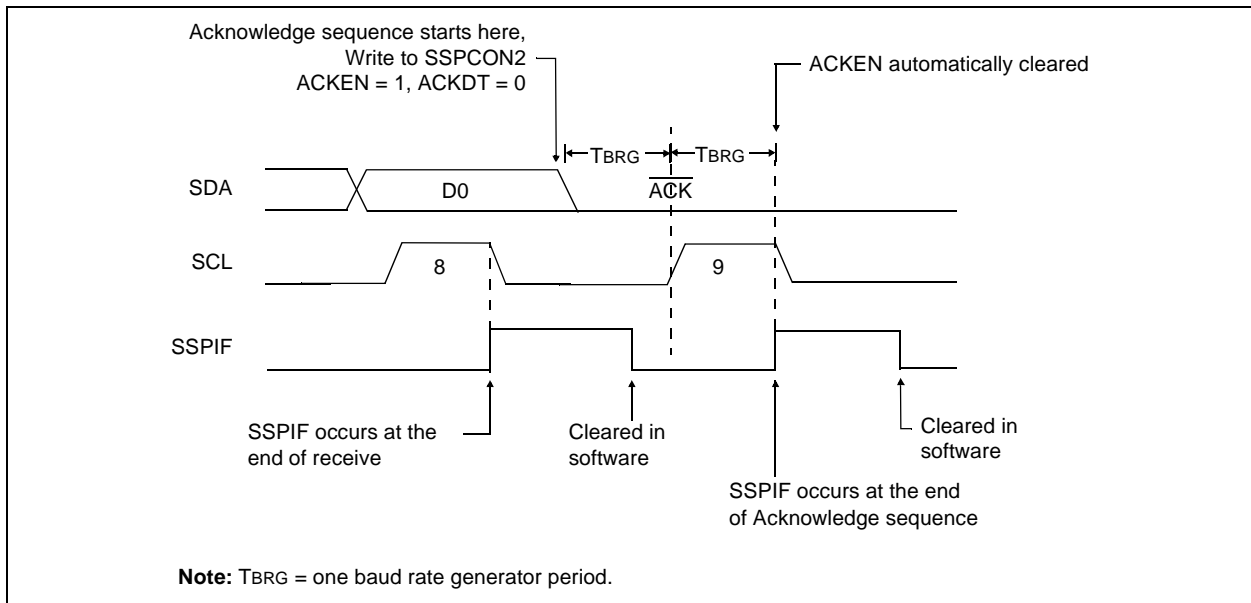
arbitration), the baud rate generator is reloaded and counts for another TBRG. At the completion of the TBRG period, the following events occur (see Figure 9-20):

- The SCL pin is pulled low.
- The ACKEN bit is automatically cleared.
- The baud rate generator is turned off.
- The MSSP module goes into IDLE mode.

### 9.2.14.1 WCOL STATUS FLAG

If the user writes the SSPBUF when an Acknowledge sequence is in progress, the WCOL is set and the contents of the buffer are unchanged (the write doesn't occur).

**FIGURE 9-20: ACKNOWLEDGE SEQUENCE WAVEFORM**



# PIC16C717/770/771

## 9.2.15 STOP CONDITION TIMING

The master asserts a STOP condition on the SDA and SCL pins at the end of a receive/transmit by setting the Stop Sequence Enable bit PEN (SSPCON2<2>). At the end of a receive/transmit plus Acknowledge, the SCL line is held low immediately following the falling edge of the ninth SCL pulse. When the PEN bit is set, the master will assert the SDA line low. When the SDA line is sampled low, the baud rate generator is loaded from SSPADD<6:0> and counts down to 0. When the baud rate generator times out, the SCL pin is brought high, the BRG is reloaded and one TBRG (baud rate generator rollover count) later, the SDA pin is de-asserted. The SDA pin transition from low to high while SCL is high is the STOP condition and causes the P bit (SSPSTAT<4>) to be set. Following this the baud rate generator is reloaded with the contents of SSPADD<6:0> and resumes its count. When the baud rate generator

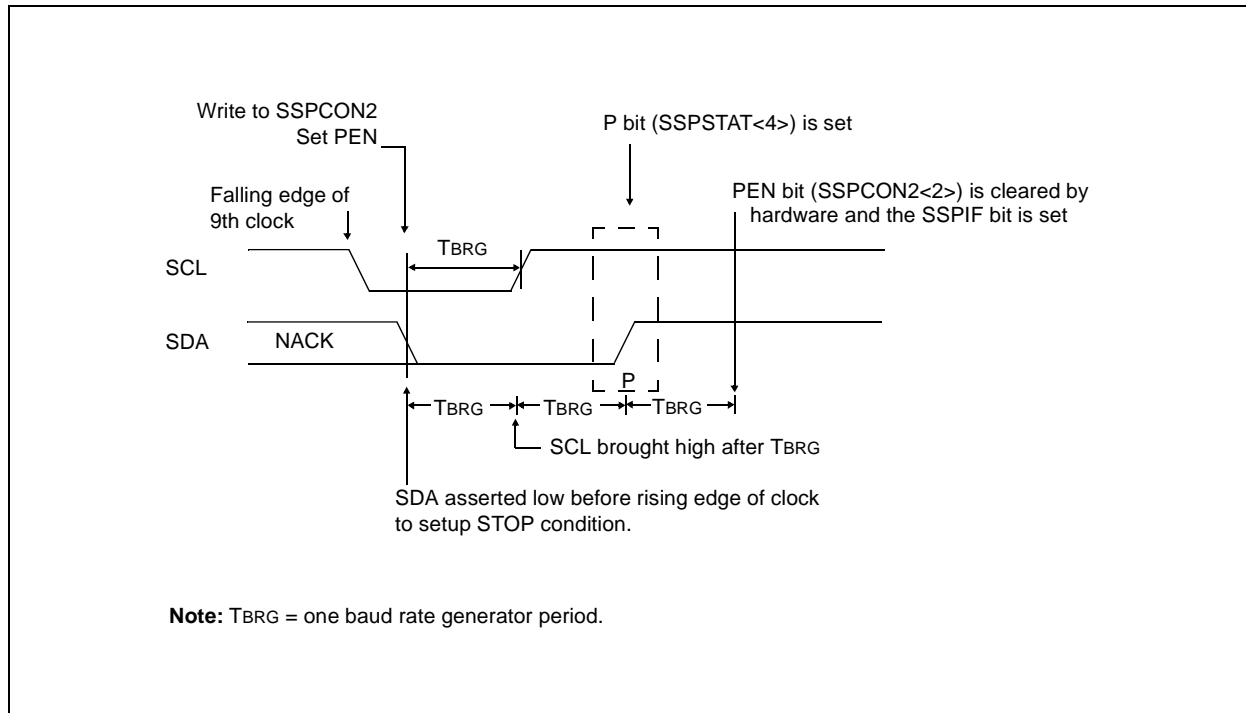
times out (TBRG) the STOP condition is complete and the PEN bit is cleared and the SSPIF bit is set (Figure 9-21).

Whenever the firmware decides to take control of the bus, it should first determine if the bus is busy by checking the S and P bits in the SSPSTAT register. When the MSSP module detects a START or STOP condition the SSPIF flag is set. If the bus is busy (S bit is set), then the CPU can be configured to be interrupted when the bus is free by enabling the SSPIF interrupt to detect the STOP bit.

### 9.2.15.1 WCOL STATUS FLAG

If the user writes the SSPBUF when a STOP sequence is in progress, then WCOL is set and the contents of the buffer are unchanged (the write doesn't occur).

**FIGURE 9-21: STOP CONDITION RECEIVE OR TRANSMIT MODE**

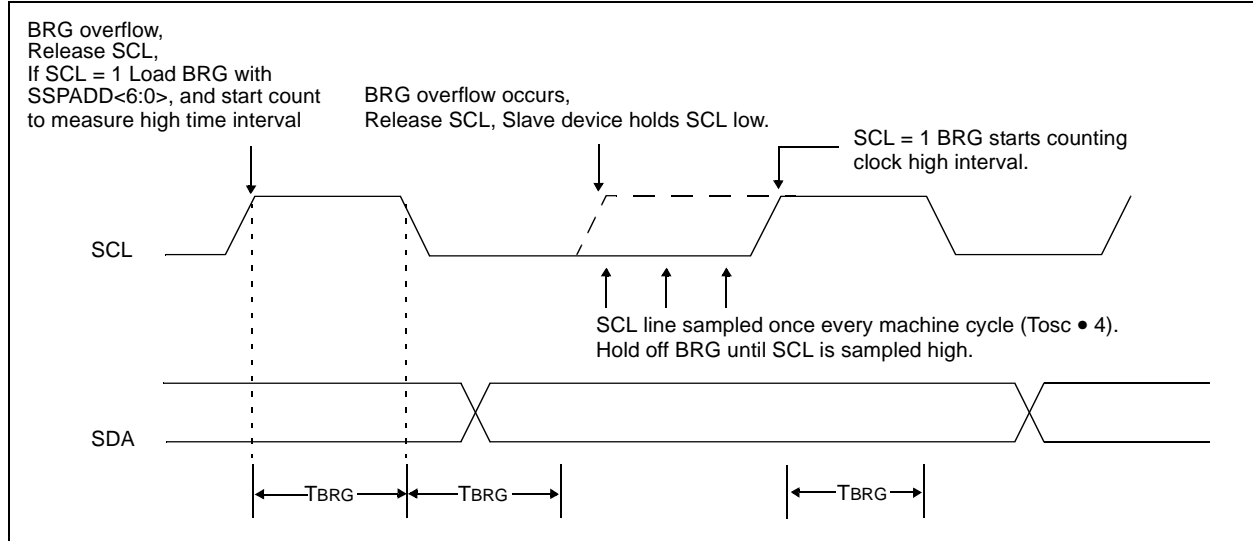


## 9.2.16 CLOCK ARBITRATION

Clock arbitration occurs when the master, during any receive, transmit or repeated START/STOP condition, de-asserts the SCL pin (SCL allowed to float high). When the SCL pin is allowed to float high, the baud rate generator (BRG) is suspended from counting until the

SCL pin is actually sampled high. When the SCL pin is sampled high, the baud rate generator is reloaded with the contents of SSPADD<6:0> and begins counting. This ensures that the SCL high time will always be at least one BRG rollover count in the event that the clock is held low by an external device (Figure 9-22).

**FIGURE 9-22: CLOCK ARBITRATION TIMING IN MASTER TRANSMIT MODE**



# PIC16C717/770/771

## 9.2.17 MULTI-MASTER COMMUNICATION, BUS COLLISION, AND BUS ARBITRATION

Multi-master mode support is achieved by bus arbitration. When the master outputs address/data bits onto the SDA pin, bus arbitration is initiated when one master outputs a '1' on SDA (by letting SDA float high) and another master asserts a '0'. If the expected data on SDA is a '1' and the data sampled on the SDA pin = '0', then a bus collision has taken place. The master that expected a '1' will set the Bus Collision Interrupt Flag, BCLIF, and reset the I<sup>2</sup>C port to its IDLE state. (Figure 9-23).

A bus collision during transmit results in the following events:

- The transmission is halted.
- The BF flag is cleared
- The SDA and SCL lines are de-asserted
- The restriction on writing to the SSPBUF during transmission is lifted.

When the user services the bus collision interrupt service routine, and if the I<sup>2</sup>C bus is free, the user can resume communication by asserting a START condition.

A bus collision during a START, Repeated START, STOP or Acknowledge condition results in the following events:

- The condition is aborted.
- The SDA and SCL lines are de-asserted.
- The respective control bits in the SSPCON2 register are cleared.

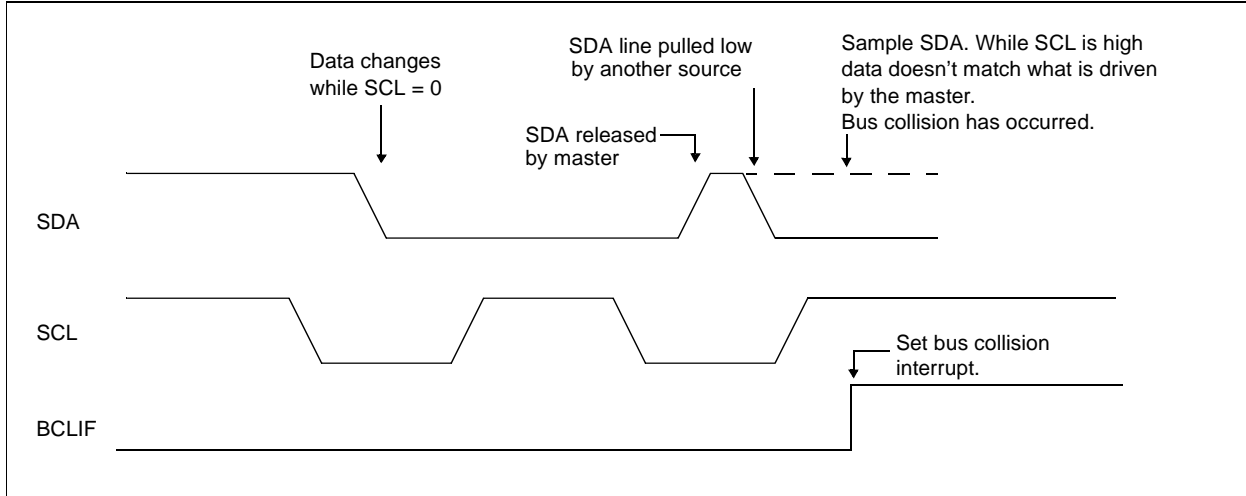
When the user services the bus collision interrupt service routine, and if the I<sup>2</sup>C bus is free, the user can resume communication by asserting a START condition.

The Master will continue to monitor the SDA and SCL pins, and if a STOP condition occurs, the SSPIF bit will be set.

A write to the SSPBUF will start the transmission of data at the first data bit, regardless of where the transmitter left off when bus collision occurred.

In Multi-Master mode, the interrupt generation on the detection of START and STOP conditions allows the determination of when the bus is free. Control of the I<sup>2</sup>C bus can be taken when the P bit is set in the SSPSTAT register, or the bus is idle and the S and P bits are cleared.

**FIGURE 9-23: BUS COLLISION TIMING FOR TRANSMIT AND ACKNOWLEDGE**





## 9.2.17.1 BUS COLLISION DURING A START CONDITION

During a START condition, a bus collision occurs if:

- SDA or SCL are sampled low at the beginning of the START condition (Figure 9-24).
- SCL is sampled low before SDA is asserted low. (Figure 9-25).

During a START condition both the SDA and the SCL pins are monitored.

If:

the SDA pin is already low  
or the SCL pin is already low,

then:

the START condition is aborted,  
and the BCLIF flag is set,  
and the SSP module is reset to its IDLE state  
 (Figure 9-24).

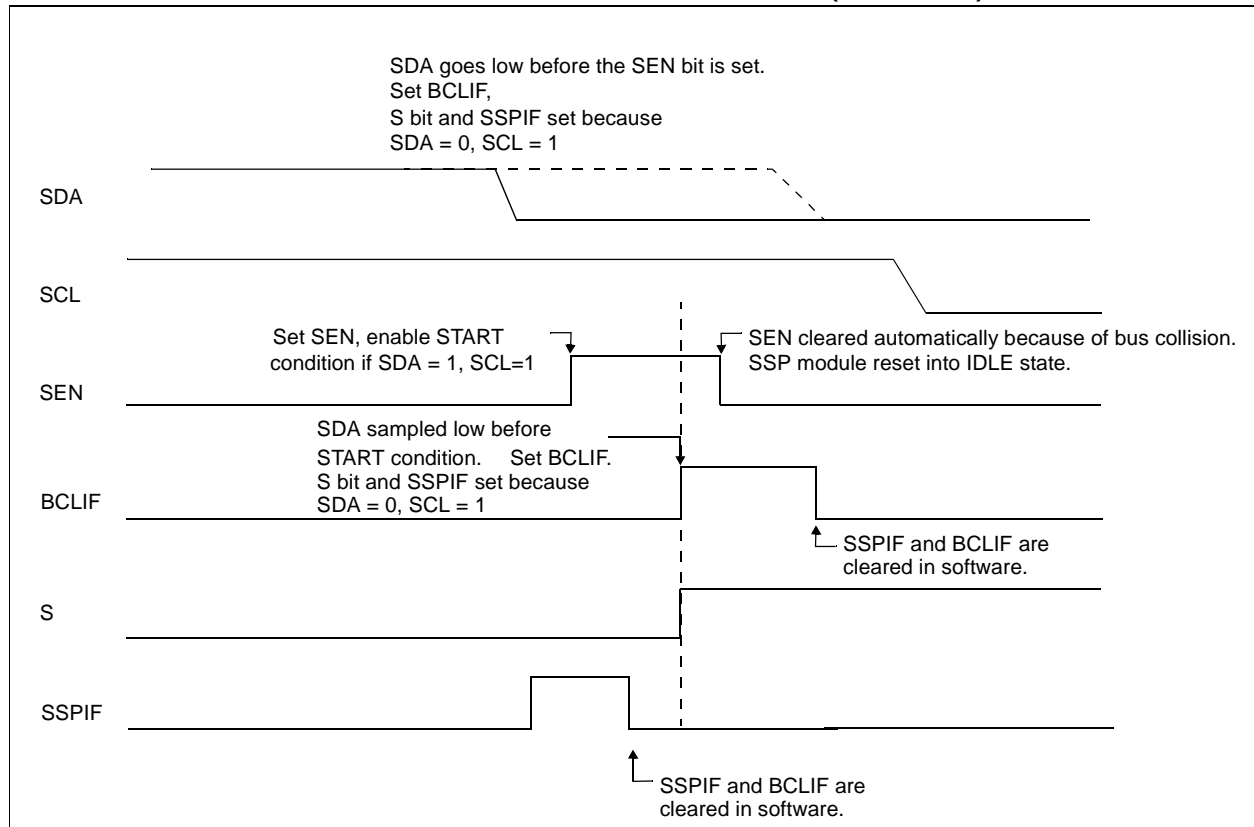
The START condition begins with the SDA and SCL pins de-asserted. When the SDA pin is sampled high, the baud rate generator is loaded from SSPADD<6:0> and counts down to 0. If the SCL pin is sampled low

while SDA is high, a bus collision occurs, because it is assumed that another master is attempting to drive a data '1' during the START condition.

If the SDA pin is sampled low during this count, the BRG is reset and the SDA line is asserted early (Figure 9-26). If however a '1' is sampled on the SDA pin, the SDA pin is asserted low at the end of the BRG count. The baud rate generator is then reloaded and counts down to 0, and during this time, if the SCL pin is sampled as '0', a bus collision does not occur. At the end of the BRG count the SCL pin is asserted low.

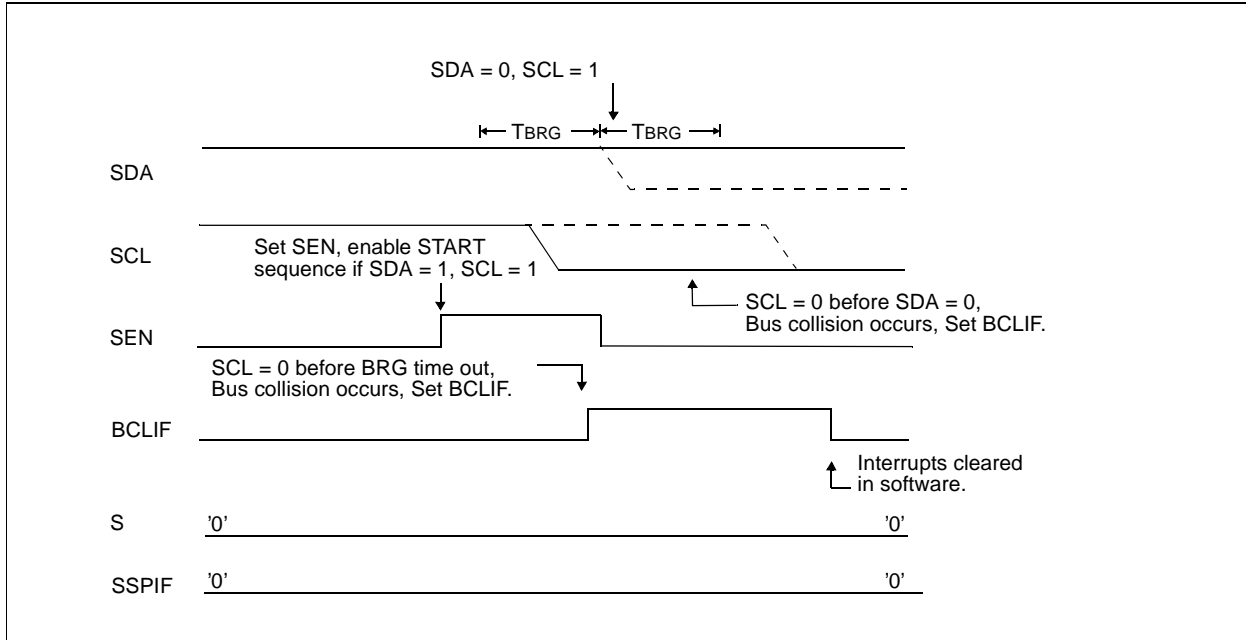
**Note:** The reason that bus collision is not a factor during a START condition is that no two bus masters can assert a START condition at the exact same time. Therefore, one master will always assert SDA before the other. This condition does not cause a bus collision, because the two masters must be allowed to arbitrate the first address following the START condition. If the address is the same, arbitration must be allowed to continue into the data portion, REPEATED START or STOP conditions.

**FIGURE 9-24: BUS COLLISION DURING START CONDITION (SDA ONLY)**

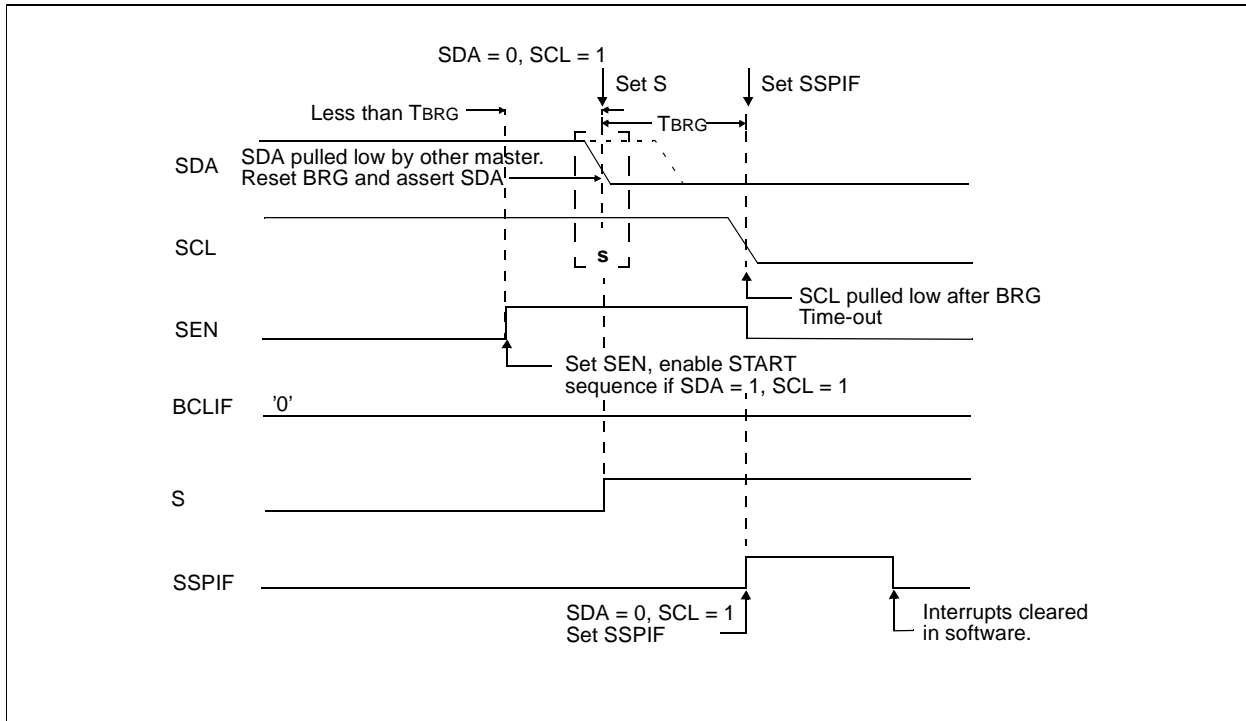


# PIC16C717/770/771

**FIGURE 9-25: BUS COLLISION DURING START CONDITION (SCL = 0)**



**FIGURE 9-26: BRG RESET DUE TO SDA COLLISION DURING START CONDITION**



## 9.2.17.2 BUS COLLISION DURING A REPEATED START CONDITION

During a Repeated START condition, a bus collision occurs if:

- A low level is sampled on SDA when SCL goes from low level to high level.
- SCL goes low before SDA is asserted low, indicating that another master is attempting to transmit a data '1'.

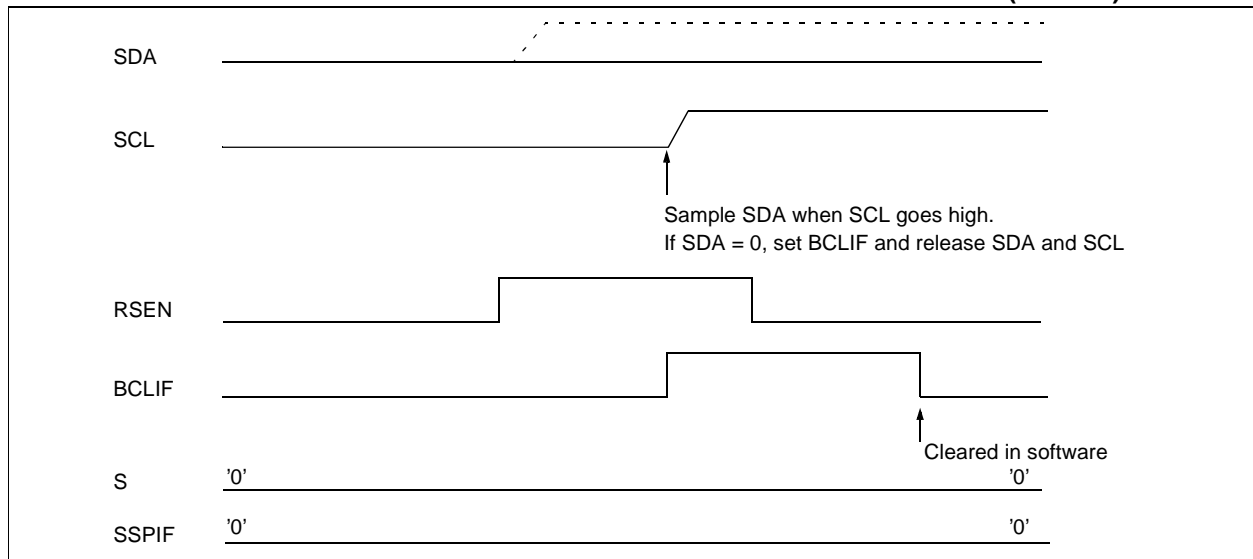
When the master module de-asserts SDA and the pin is allowed to float high, the BRG is loaded with SSPADD<6:0>, and counts down to '0'. The SCL pin is then de-asserted, and when sampled high, the SDA pin is sampled. If SDA is low, a bus collision has occurred (i.e., another master is attempting to transmit a data

'0'). If however SDA is sampled high, then the BRG is reloaded and begins counting. If SDA goes from high to low before the BRG times out, no bus collision occurs, because no two masters can assert SDA at exactly the same time.

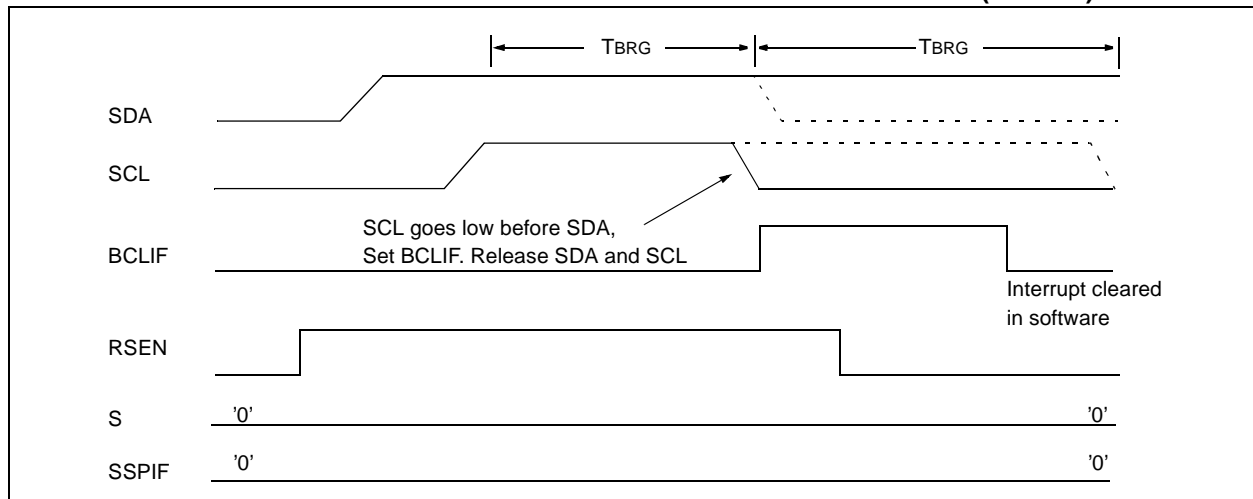
If, however, SCL goes from high to low before the BRG times out and SDA has not already been asserted, then a bus collision occurs. In this case, another master is attempting to transmit a data '1' during the Repeated START condition.

If at the end of the BRG time-out both SCL and SDA are still high, the SDA pin is driven low, the BRG is reloaded, and begins counting. At the end of the count, regardless of the status of the SCL pin, the SCL pin is driven low and the Repeated START condition is complete (Figure 9-27).

**FIGURE 9-27: BUS COLLISION DURING A REPEATED START CONDITION (CASE 1)**



**FIGURE 9-28: BUS COLLISION DURING REPEATED START CONDITION (CASE 2)**



# PIC16C717/770/771

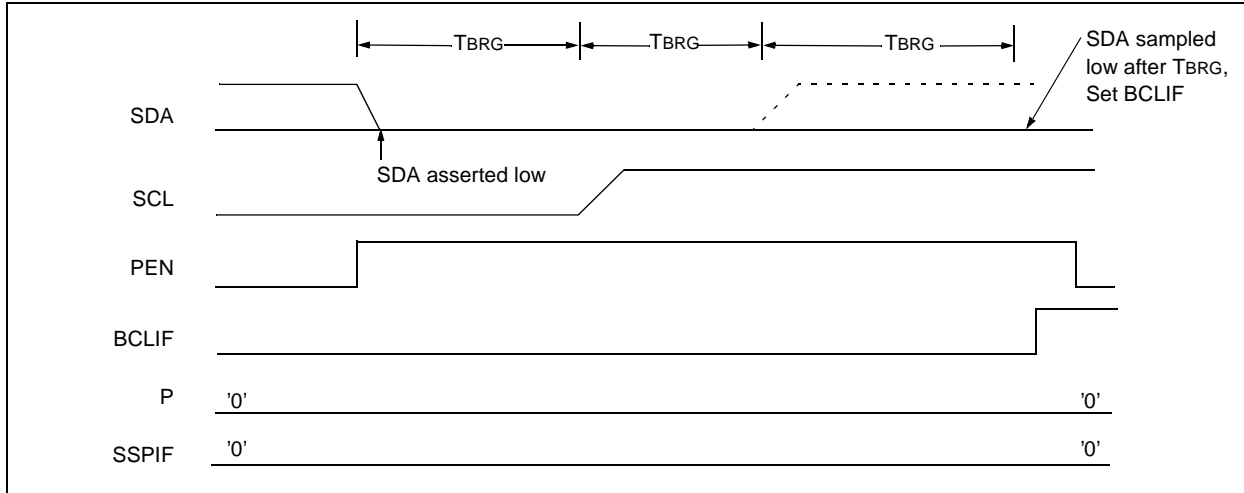
## 9.2.17.3 BUS COLLISION DURING A STOP CONDITION

Bus collision occurs during a STOP condition if:

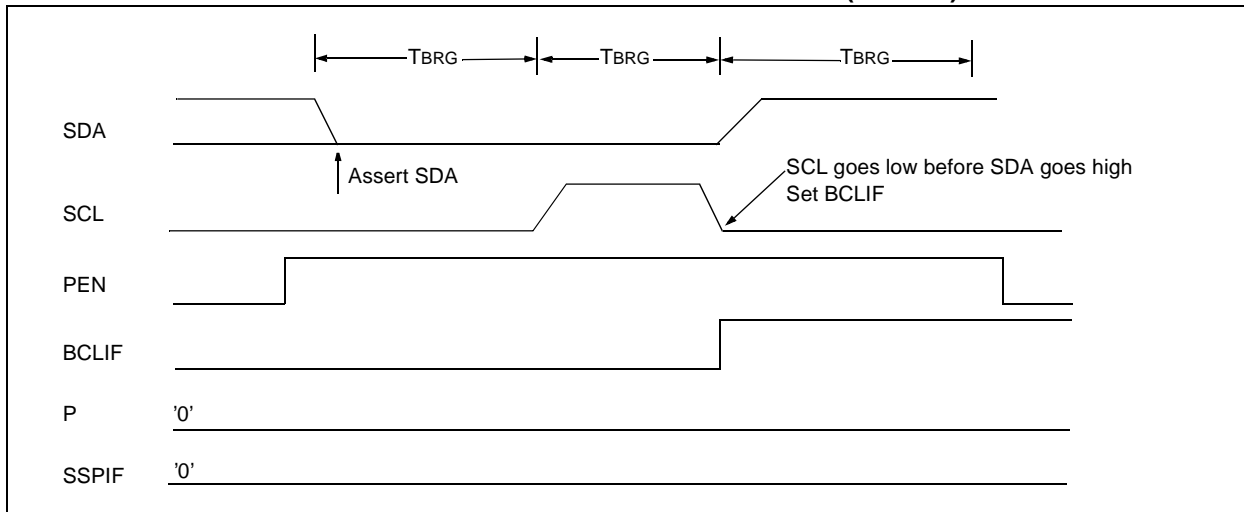
- After the SDA pin has been de-asserted and allowed to float high, SDA is sampled low after the BRG has timed out.
- After the SCL pin is de-asserted, SCL is sampled low before SDA goes high.

The STOP condition begins with SDA asserted low. When SDA is sampled low, the SCL pin is allowed to float. When the pin is sampled high (clock arbitration), the baud rate generator is loaded with SSPADD<6:0> and counts down to '0'. After the BRG times out SDA is sampled. If SDA is sampled low, a bus collision has occurred. This is due to another master attempting to drive a data '0' (Figure 9-29). If the SCL pin is sampled low before SDA is allowed to float high, a bus collision occurs. This is another case of another master attempting to drive a data '0' (Figure 9-30).

**FIGURE 9-29: BUS COLLISION DURING A STOP CONDITION (CASE 1)**



**FIGURE 9-30: BUS COLLISION DURING A STOP CONDITION (CASE 2)**



## 9.2.18 CONNECTION CONSIDERATIONS FOR I<sup>2</sup>C BUS

For Standard mode I<sup>2</sup>C bus devices, the values of resistors  $R_p$  and  $R_s$  in Figure 9-31 depends on the following parameters

- Supply voltage
- Bus capacitance
- Number of connected devices (input current + leakage current).

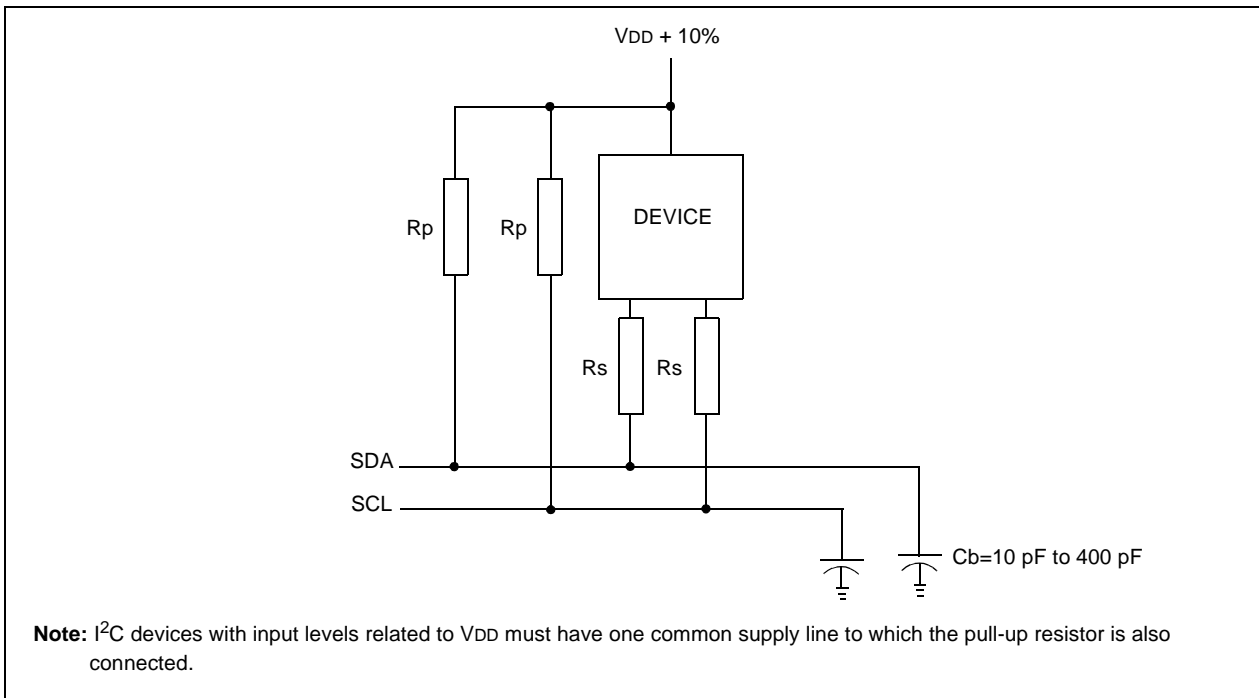
The supply voltage limits the minimum value of resistor  $R_p$  due to the specified minimum sink current of 3 mA at  $V_{OL\ max} = 0.4V$  for the specified output stages. For

example, with a supply voltage of  $V_{DD} = 5V \pm 10\%$  and  $V_{OL\ max} = 0.4V$  at 3 mA,  $R_{p\ min} = (5.5 - 0.4) / 0.003 = 1.7\ k\Omega$ .  $V_{DD}$  as a function of  $R_p$  is shown in Figure 9-31. The desired noise margin of  $0.1V_{DD}$  for the low level limits the maximum value of  $R_s$ . Series resistors are optional and used to improve ESD susceptibility.

The bus capacitance is the total capacitance of wire, connections, and pins. This capacitance limits the maximum value of  $R_p$  due to the specified rise time (Figure 9-31).

The SMP bit is the slew rate control enabled bit. This bit is in the SSPSTAT register, and controls the slew rate of the I/O pins when in I<sup>2</sup>C mode (master or slave).

**FIGURE 9-31: SAMPLE DEVICE CONFIGURATION FOR I<sup>2</sup>C BUS**



**TABLE 9-3: REGISTERS ASSOCIATED WITH I<sup>2</sup>C OPERATION**

Address	Name	Bit 7	Bit 6	Bit 5	Bit 4	Bit 3	Bit 2	Bit 1	Bit 0	POR, BOR	MCLR, WDT
0Bh, 8Bh, 10Bh, 18Bh	INTCON	GIE	PEIE	T0IE	INTE	RBIE	T0IF	INTF	RBIF	0000 000x	0000 000u
0Ch	PIR1	—	ADIF	—	—	SSPIF	CCP1IF	TMR2IF	TMR1IF	-0-- 0000	-0-- 0000
8Ch	PIE1	—	ADIE	—	—	SSPIE	CCP1IE	TMR2IE	TMR1IE	-0-- 0000	-0-- 0000
0Dh	PIR2	LVDIF	—	—	—	BCLIF	—	—	CCP2IF	0--- 0--0	0--- 0--0
8Dh	PIE2	LVDIE	—	—	—	BCLIE	—	—	CCP2IE	0--- 0--0	0--- 0--0
13h	SSPBUF	Synchronous Serial Port Receive Buffer/Transmit Register								xxxx xxxx	uuuu uuuu
14h	SSPCON	WCOL	SSPOV	SSPEN	CKP	SSPM3	SSPM2	SSPM1	SSPM0	0000 0000	0000 0000
91h	SSPCON2	GCEN	ACKSTAT	ACKDT	ACKEN	RCEN	PEN	RSEN	SEN	0000 0000	0000 0000
94h	SSPSTAT	SMP	CKE	D/A	P	S	R/W	UA	BF	0000 0000	0000 0000
93h	SSPADD	Synchronous Serial Port (I <sup>2</sup> C Mode) Address Register								0000 0000	0000 0000

Legend: x = unknown, u = unchanged, - = unimplemented read as '0'. Shaded cells are not used by the MSSP in I<sup>2</sup>C mode.

# PIC16C717/770/771

---

---

NOTES:

## 10.0 VOLTAGE REFERENCE MODULE AND LOW-VOLTAGE DETECT

The Voltage Reference module provides reference voltages for the Brown-out Reset circuitry, the Low-voltage Detect circuitry and the A/D converter.

The source for the reference voltages comes from the bandgap reference circuit. The bandgap circuit is energized anytime the reference voltage is required by the other sub-modules, and is powered down when not in use. The control registers for this module are LVDCON and REFCON, as shown in Register 10-1 and Figure 10-2.

### REGISTER 10-1: LOW-VOLTAGE DETECT CONTROL REGISTER (LVDCON: 9Ch)

U-0	U-0	R-0	R/W-0	R/W-0	R/W-1	R/W-0	R/W-1	
—	—	BGST	LVDEN	LV3	LV2	LV1	LV0	
bit 7								bit 0

bit 7-6 **Unimplemented:** Read as '0'

bit 5 **BGST:** Bandgap Stable Status Flag bit

1 = Indicates that the bandgap voltage is stable, and LVD interrupt is reliable

0 = Indicates that the bandgap voltage is not stable, and LVD interrupt should not be enabled

bit 4 **LVDEN:** Low-voltage Detect Power Enable bit

1 = Enables LVD, powers up bandgap circuit and reference generator

0 = Disables LVD, powers down bandgap circuit if unused by BOR or VRH/VRL

bit 3-0 **LV<3:0>:** Low Voltage Detection Limit bits<sup>(1)</sup>

1111 = External analog input is used

1110 = 4.5V

1101 = 4.2V

1100 = 4.0V

1011 = 3.8V

1010 = 3.6V

1001 = 3.5V

1000 = 3.3V

0111 = 3.0V

0110 = 2.8V

0101 = 2.7V

0100 = 2.5V

0011 = Reserved. Do not use.

0010 = Reserved. Do not use.

0001 = Reserved. Do not use.

0000 = Reserved. Do not use.

**Note:** These are the minimum trip points for the LVD. See Table 15-8 for the trip point tolerances. Selection of reserved setting may result in an inadvertent interrupt.

Legend:

R = Readable bit

W = Writable bit

U = Unimplemented bit, read as '0'

- n = Value at POR

'1' = Bit is set

'0' = Bit is cleared

x = Bit is unknown

# PIC16C717/770/771

## REGISTER 10-2: VOLTAGE REFERENCE CONTROL REGISTER (REFCON: 9BH)

R/W-0	R/W-0	R/W-0	R/W-0	U-0	U-0	U-0	U-0
VRHEN	VRLEN	VRHOEN	VRLOEN	—	—	—	—
bit 7				bit 0			

- bit 7 **VRHEN:** Voltage Reference High Enable bit (VRH = 4.096V nominal)  
1 = Enabled, powers up reference generator  
0 = Disabled, powers down reference generator if unused by LVD, BOR, or VRL
- bit 6 **VRLEN:** Voltage Reference Low Enable bit (VRL = 2.048V nominal)  
1 = Enabled, powers up reference generator  
0 = Disabled, powers down reference generator if unused by LVD, BOR, or VRH
- bit 5 **VRHOEN:** High Voltage Reference Output Enable bit<sup>(1)</sup>  
1 = Enabled, VRH analog reference is output on RA3 if enabled (VRHEN = 1)  
0 = Disabled, analog reference is used internally only<sup>(1)</sup>
- bit 4 **VRLOEN:** Low Voltage Reference Output Enable bit  
1 = Enabled, VRL analog reference is output on RA2 if enabled (VRLEN = 1)  
0 = Disabled, analog reference is used internally only
- bit 3-0 **Unimplemented:** Read as '0'

**Note 1:** RA2 and RA3 must be configured as analog inputs when the VREF output functions are enabled (See ANSEL on page 25).

Legend:			
R = Readable bit	W = Writable bit	U = Unimplemented bit, read as '0'	
- n = Value at POR	'1' = Bit is set	'0' = Bit is cleared	x = Bit is unknown



## 10.1 Bandgap Voltage Reference

The bandgap module generates a stable voltage reference of over a range of temperatures and device supply voltages. This module is enabled anytime any of the following are enabled:

- Brown-out Reset
- Low-voltage Detect
- Either of the internal analog references (VRH, VRL)

Whenever the above are all disabled, the bandgap module is disabled and draws no current.

## 10.2 Internal VREF for A/D Converter

The bandgap output voltage is used to generate two stable references for the A/D converter module. These references are enabled in software to provide the user with the means to turn them on and off in order to minimize current consumption. Each reference can be individually enabled.

The VRH reference is enabled with control bit VRHEN (REFCON<7>). When this bit is set, the gain amplifier is enabled. After a specified start-up time a stable reference of 4.096V nominal is generated and can be used by the A/D converter as a reference input.

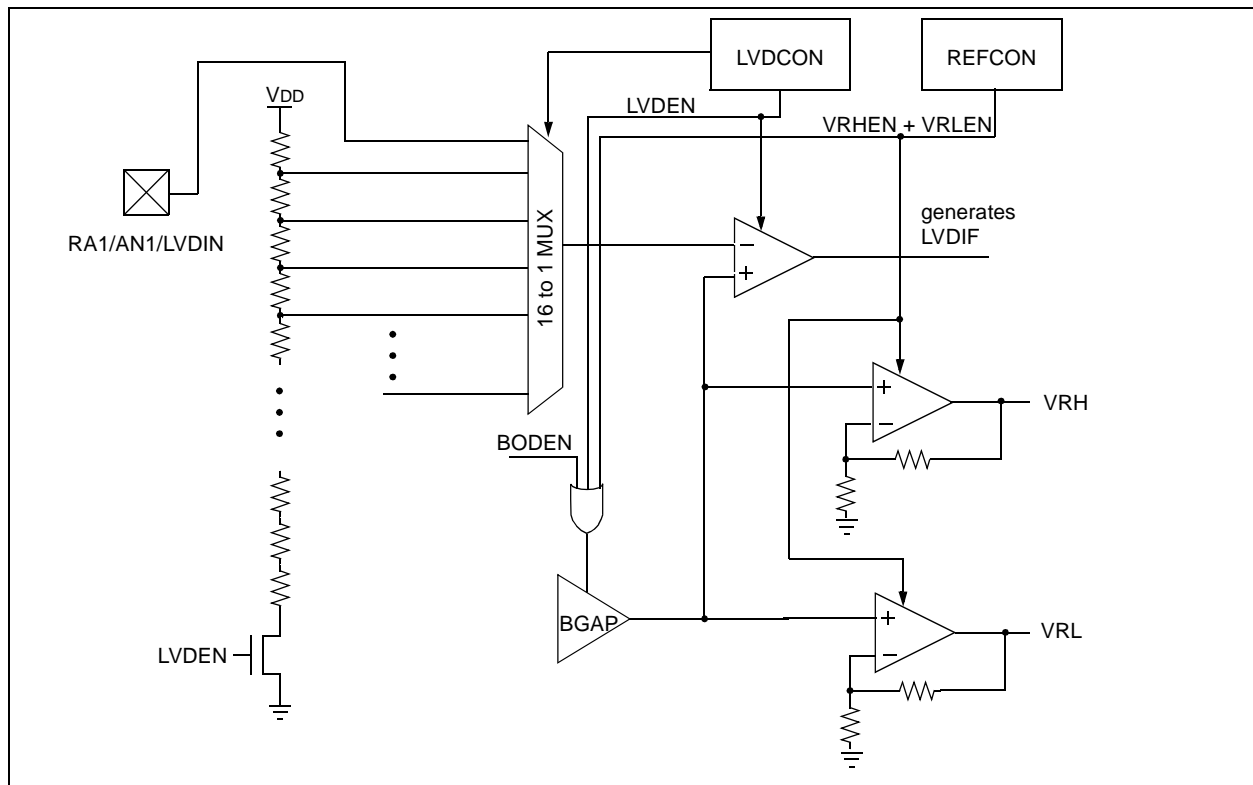
The VRL reference is enabled by setting control bit VRLEN (REFCON<6>). When this bit is set, the gain amplifier is enabled. After a specified start-up time a stable reference of 2.048V nominal is generated and can be used by the A/D converter as a reference input.

Each voltage reference is available for external use via VRL and VRH pins.

Each reference, if enabled, can be output on an external pin by setting the VRHOEN (high reference output enable) or VRLOEN (low reference output enable) control bit. If the reference is not enabled, the VRHOEN and VRLOEN bits will have no effect on the corresponding pin. The device specific pin can then be used as general purpose I/O.

**Note:** If VRH or VRL is enabled and the other reference (VRL or VRH), the BOR, and the LVD modules are not enabled, the bandgap will require a start-up time before the bandgap reference is stable. Before using the internal VRH or VRL reference, ensure that the bandgap reference voltage is stable by monitoring the BGST bit in the LVD-CON register. The voltage references will not be reliable until the bandgap is stable as shown by BGST being set.

**FIGURE 10-1: BLOCK DIAGRAM OF LVD AND VOLTAGE REFERENCE CIRCUIT**



# PIC16C717/770/771

---

## 10.3 Low Voltage Detect (LVD)

This module is used to generate an interrupt when the supply voltage falls below a specified “trip” voltage. This module operates completely under software control. This allows a user to power the module on and off to periodically monitor the supply voltage, and thus minimize total current consumption.

The LVD module is enabled by setting the LVDEN bit in the LVDCON register. The “trip point” voltage is the minimum supply voltage level at which the device can operate before the LVD module asserts an interrupt. When the supply voltage is equal to or less than the trip point, the module will generate an interrupt signal setting interrupt flag bit LVDIF. If interrupt enable bit LVDIE was set, then an interrupt is generated. The LVD interrupt can wake the device from SLEEP. The “trip point” voltage is software programmable to any one of 16 values, five of which are reserved (See Figure 10-1). The trip point is selected by programming the LV<3:0> bits (LVDCON<3:0>).

**Note:** The LVDIF bit can not be cleared until the supply voltage rises above the LVD trip point. If interrupts are enabled, clear the LVDIE bit once the first LVD interrupt occurs to prevent reentering the interrupt service routine immediately after exiting the ISR.

Once the LV bits have been programmed for the specified trip voltage, the low-voltage detect circuitry is then enabled by setting the LVDEN (LVDCON<4>) bit.

If the bandgap reference voltage is previously unused by either the brown-out circuitry or the voltage reference circuitry, then the bandgap circuit requires a time to start-up and become stable before a low voltage condition can be reliably detected. The low-voltage interrupt flag is prevented from being set until the bandgap has reached a stable reference voltage.

When the bandgap is stable the BGST (LVDCON<5>) bit is set indicating that the low-voltage interrupt flag bit is released to be set if VDD is equal to or less than the LVD trip point.

### 10.3.1 EXTERNAL ANALOG VOLTAGE INPUT

The LVD module has an additional feature that allows the user to supply the trip voltage to the module from an external source. This mode is enabled when LV<3:0> = 1111. When these bits are set the comparator input is multiplexed from an external input pin (RA1/AN1/LVDIN).

## 11.0 ANALOG-TO-DIGITAL CONVERTER (A/D) MODULE

The analog-to-digital (A/D) converter module has six inputs for the PIC16C717/770/771.

The PIC16C717 analog-to-digital converter (A/D) allows conversion of an analog input signal to a corresponding 10-bit digital value, while the A/D converter in the PIC16C770/771 allows conversion to a corresponding 12-bit digital value. The A/D module has up to 6 analog inputs, which are multiplexed into one sample and hold. The output of the sample and hold is the input into the converter, which generates the result via successive approximation. The analog reference voltages are software selectable to either the device's analog positive and negative supply voltages (AVDD/AVSS), the voltage level on the VREF+ and VREF- pins, or internal voltage references if enabled (VRH, VRL).

The A/D converter can be triggered by setting the GO/DONE bit, or by the special event Compare mode of the ECCP module. When conversion is complete, the GO/DONE bit returns to '0', the ADIF bit in the PIR1 register is set, and an A/D interrupt will occur, if enabled.

The A/D converter has a unique feature of being able to operate while the device is in SLEEP mode. To operate in SLEEP, the A/D conversion clock must be derived from the A/D's internal RC oscillator.

The A/D module has four registers. These registers are:

- A/D Result Register Low ADRESL
- A/D Result Register High ADRESH
- A/D Control Register 0 (ADCON0)
- A/D Control Register 1 (ADCON1)

A device RESET forces all registers to their RESET state. This forces the A/D module to be turned off and any conversion is aborted.

### 11.1 Control Registers

The ADCON0 register, shown in Register 11-1, controls the operation of the A/D module. The ADCON1 register, shown in Register 11-2, configures the functions of the port pins, the voltage reference configuration and the result format. The ANSEL register, shown in Register 3-1, selects between the Analog or Digital Port Pin modes. The port pins can be configured as analog inputs or as digital I/O.

The combination of the ADRESH and ADRESL registers contain the result of the A/D conversion. The register pair is referred to as the ADRES register. When the A/D conversion is complete, the result is loaded into ADRES, the GO/DONE bit (ADCON0<2>) is cleared, and the A/D interrupt flag ADIF is set. The block diagram of the A/D module is shown in Figure 11-3.

# PIC16C717/770/771

## REGISTER 11-1: A/D CONTROL REGISTER 0 (ADCON0: 1Fh).

R/W-0	R/W-0	R/W-0	R/W-0	R/W-0	R/W-0	R/W-0	R/W-0
ADCS1	ADCS0	CHS2	CHS1	CHS0	GO/DONE	CHS3	ADON

bit 7

bit 0

- bit 7-6 **ADCS<1:0>**: A/D Conversion Clock Select bits  
If internal VRL and/or VRH are not used for A/D reference (VCFG<2:0> = 000, 001, 011 or 101):  
00 = FOSC/2  
01 = FOSC/8  
10 = FOSC/32  
11 = FRC (clock derived from a dedicated RC oscillator)  
If internal VRL and/or VRH are used for A/D reference (VCFG<2:0> = 010, 100, 110 or 111):  
00 = FOSC/16  
01 = FOSC/64  
10 = FOSC/256  
11 = FRC/8
- bit 5-3,1 **CHS:<3:0>**: Analog Channel Select bits  
0000 = channel 00 (AN0)  
0001 = channel 01 (AN1)  
0010 = channel 02 (AN2)  
0011 = channel 03 (AN3)  
0100 = channel 04 (AN4)  
0101 = channel 05 (AN5)  
0110 = reserved, do not select  
0111 = reserved, do not select  
1000 = reserved, do not select  
1001 = reserved, do not select  
1010 = reserved, do not select  
1011 = reserved, do not select  
1100 = reserved, do not select  
1101 = reserved, do not select  
1110 = reserved, do not select  
1111 = reserved, do not select
- bit 2 **GO/DONE**: A/D Conversion Status bit  
1 = A/D conversion cycle in progress. Setting this bit starts an A/D conversion cycle.  
This bit is automatically cleared by hardware when the A/D conversion has completed.  
0 = A/D conversion completed/not in progress
- bit 0 **ADON**: A/D On bit  
1 = A/D converter module is operating  
0 = A/D converter is shutoff and consumes no operating current

Legend:

R = Readable bit

W = Writable bit

U = Unimplemented bit, read as '0'

- n = Value at POR

'1' = Bit is set

'0' = Bit is cleared

x = Bit is unknown

## REGISTER 11-2: A/D CONTROL REGISTER 1 (ADCON1: 9Fh)

R/W-0	R/W-0	R/W-0	R/W-0	R/W-0	R/W-0	R/W-0	R/W-0
ADFM	VCFG2	VCFG1	VCFG0	Reserved	Reserved	Reserved	Reserved
bit 7				bit 0			

bit 7 **ADFM:** A/D Result Format Select bit

1 = Right justified

0 = Left justified

bit 6-4 **VCFG<2:0>:** Voltage Reference Configuration bits

	A/D VREF+	A/D VREF-
000	AVDD <sup>(1)</sup>	AVSS <sup>(2)</sup>
001	External VREF+	External VREF-
010	Internal VRH	Internal VRL
011	External VREF+	AVSS <sup>(2)</sup>
100	Internal VRH	AVSS <sup>(2)</sup>
101	AVDD <sup>(1)</sup>	External VREF-
110	AVDD <sup>(1)</sup>	Internal VRL
111	Internal VRL	AVSS

bit 3-0 **Reserved:** Do not use.

**Note 1:** This parameter is VDD for the PIC16C717.

**2:** This parameter is Vss for the PIC16C717.

Legend:

R = Readable bit

W = Writable bit

U = Unimplemented bit, read as '0'

- n = Value at POR

'1' = Bit is set

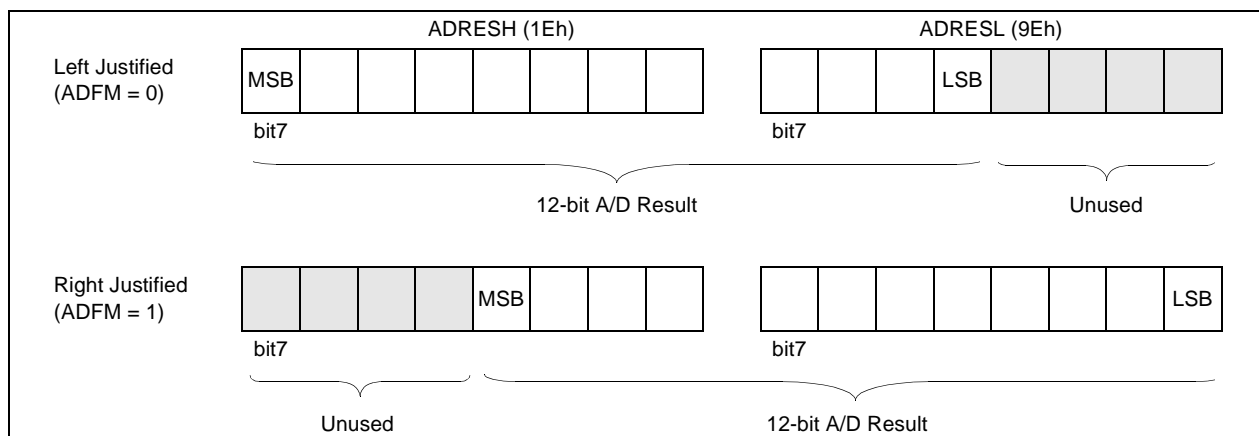
'0' = Bit is cleared

x = Bit is unknown

The value that is in the ADRESH and ADRESL registers are not modified for a Power-on Reset. The ADRESH and ADRESL registers will contain unknown data after a Power-on Reset.

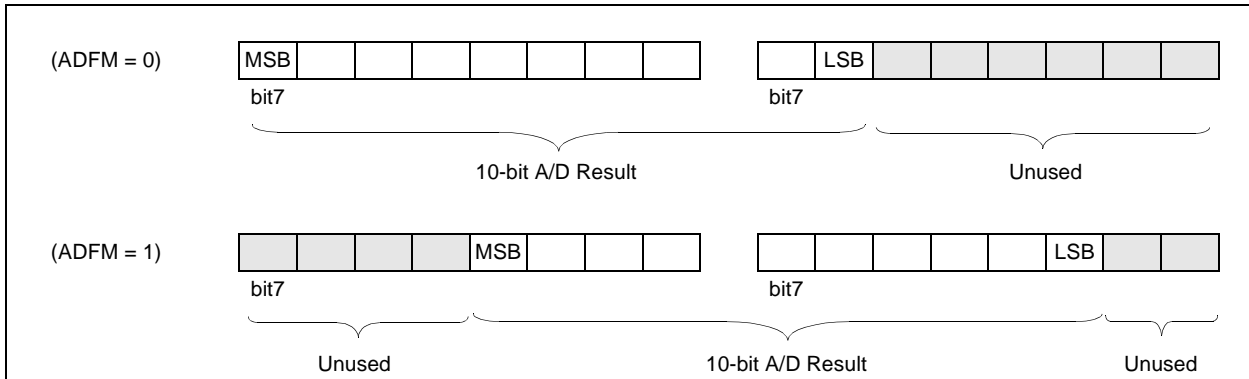
The A/D conversion results can be left justified (ADFM bit cleared), or right justified (ADFM bit set). Figure 11-1 through Figure 11-2 show the A/D result data format of the PIC16C717/770/771.

**FIGURE 11-1: PIC16C770/771 12-BIT A/D RESULT FORMATS**



# PIC16C717/770/771

FIGURE 11-2: PIC16C717 10-BIT A/D RESULT FORMAT



After the A/D module has been configured as desired, the selected channel must be acquired before the conversion is started. The analog input channels must have their corresponding TRIS and ANSEL bits selected as an input. To determine acquisition time, see Section 11.6. After this acquisition time has elapsed, the A/D conversion can be started. The following steps should be followed for doing an A/D conversion:

## 11.2 Configuring the A/D Module

### 11.2.1 CONFIGURING ANALOG PORT PINS

The ANSEL and TRIS registers control the operation of the A/D port pins. The port pins that are desired as analog inputs must have their corresponding TRIS bit set (input). If the TRIS bit is cleared (output), the digital output level ( $V_{OH}$  or  $V_{OL}$ ) will be converted. The proper ANSEL bits must be set (analog input) to disable the digital input buffer.

The A/D operation is independent of the state of the TRIS bits and the ANSEL bits.

- Note 1:** When reading the PORTA register, all pins configured as analog input channels will read as '0'.
- 2:** When reading the PORTB register, all pins configured as analog pins on PORTB will be read as '1'.
- 3:** Analog levels on any pin that is defined as a digital input, including the ANx pins, may cause the input buffer to consume current that is out of the devices specification.

### 11.2.2 CONFIGURING THE REFERENCE VOLTAGES

The VCFG bits in the ADCON1 register configure the A/D module reference inputs. The reference high input can come from an internal reference (VRH) or (VRL), an external reference (VREF+), or AVDD. The low reference input can come from an internal reference (VRL), an external reference (VREF-), or AVSS. If an external reference is chosen for the reference high or reference low inputs, the port pin that multiplexes the incoming external references is configured as an analog input, regardless of the values contained in the A/D port configuration bits (PCFG<3:0>).

After the A/D module has been configured as desired and the analog input channels have their corresponding TRIS bits selected for port inputs, the selected channel must be acquired before conversion is started. The A/D conversion cycle can be initiated by setting the  $\overline{\text{GO/DONE}}$  bit. The A/D conversion begins and lasts for 13TAD. The following steps should be followed for performing an A/D conversion:

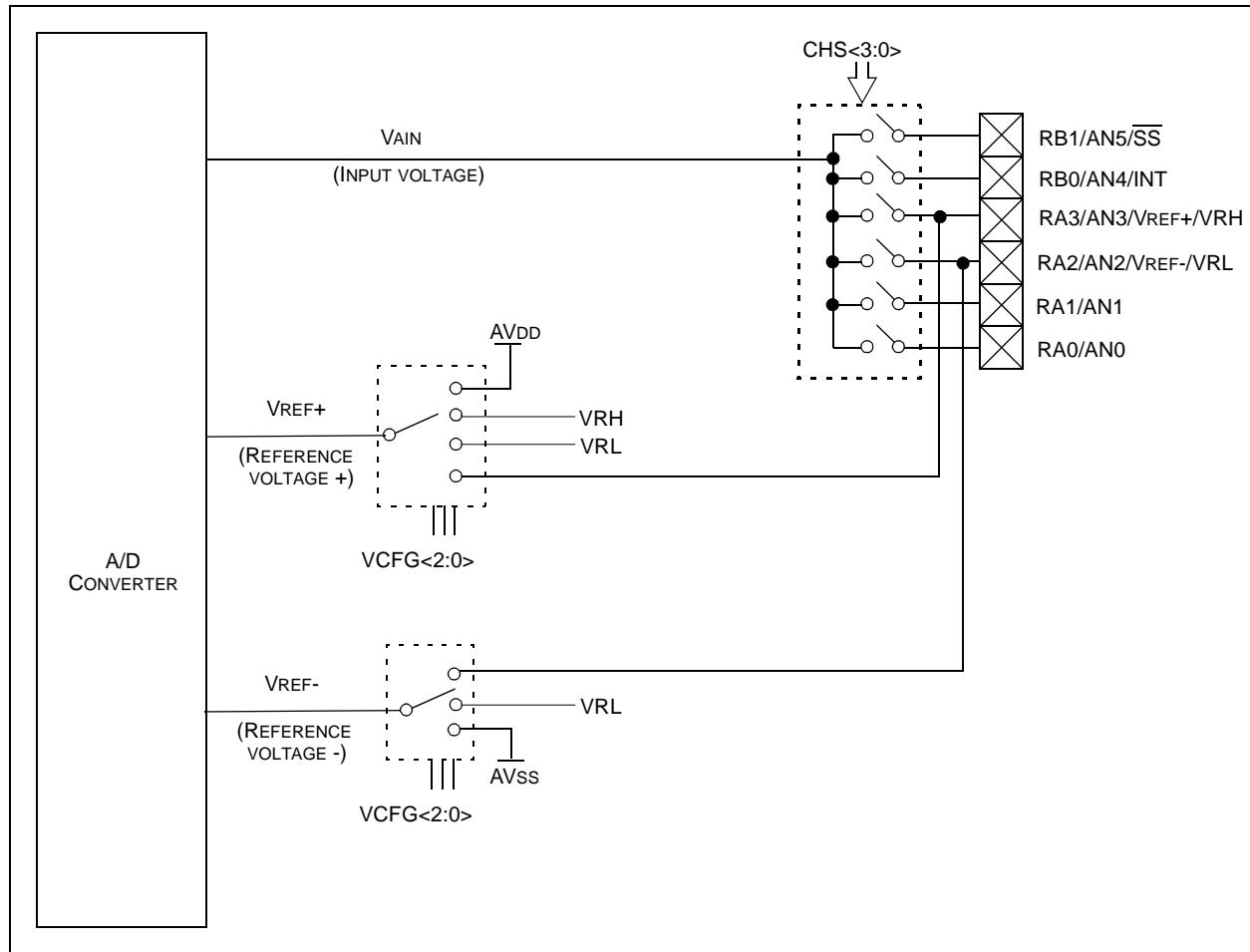
1. Configure port pins:
  - Configure Analog Input mode (ANSEL)
  - Configure pin as input (TRISA or TRISB)
2. Configure the A/D module
  - Configure A/D Result Format / voltage reference (ADCON1)
  - Select A/D input channel (ADCON0)
  - Select A/D conversion clock (ADCON0)
  - Turn on A/D module (ADCON0)
3. Configure A/D interrupt (if required)
  - Clear ADIF bit
  - Set ADIE bit
  - Set PEIE bit
  - Set GIE bit

4. Wait the required acquisition time.
5. START conversion
  - Set  $\overline{\text{GO/DONE}}$  bit (ADCON0)
6. Wait 13TAD until A/D conversion is complete, by either:
  - Polling for the  $\overline{\text{GO/DONE}}$  bit to be cleared
 OR
  - Waiting for the A/D interrupt
7. Read A/D Result registers (ADRESH and ADRESL), clear ADIF if required.
8. For next conversion, go to step 1, step 2 or step 3 as required.

Clearing the  $\overline{\text{GO/DONE}}$  bit during a conversion will abort the current conversion. The ADRESH and ADRESL registers will be updated with the partially completed A/D conversion value. That is, the ADRESH and ADRESL registers will contain the value of the current incomplete conversion.

**Note:** Do not set the ADON bit and the  $\overline{\text{GO/DONE}}$  bit in the same instruction. Doing so will cause the  $\overline{\text{GO/DONE}}$  bit to be automatically cleared.

**FIGURE 11-3: A/D BLOCK DIAGRAM**



# PIC16C717/770/771

## 11.3 Selecting the A/D Conversion Clock

The A/D conversion cycle requires 13TAD: 1 TAD for settling time, and 12 TAD for conversion. The source of the A/D conversion clock is software selected. If neither the internal VRH nor VRL are used for the A/D converter, the four possible options for TAD are:

- 2 TOSC
- 8 TOSC
- 32 TOSC
- A/D RC oscillator

If the VRH or VRL are used for the A/D converter reference, then the TAD requirement is automatically increased by a factor of 8.

For correct A/D conversions, the A/D conversion clock (TAD) must be selected to ensure a minimum TAD time of 1.6  $\mu$ s. Table 11-1 shows the resultant TAD times derived from the device operating frequencies and the A/D clock source selected.

The ADIF bit is set on the rising edge of the 14th TAD. The GO/DONE bit is cleared on the falling edge of the 14th TAD.

**TABLE 11-1: TAD vs. DEVICE OPERATING FREQUENCIES**

A/D Reference Source	A/D Clock Source (TAD)		Device Frequency			
	Operation	ADCS<1:0>	20 MHz	5 MHz	4 MHz	1.25 MHz
External VREF or Analog Supply	2 TOSC	00	100 ns <sup>(2)</sup>	400 ns <sup>(2)</sup>	500 ns <sup>(2)</sup>	1.6 $\mu$ s
	8 TOSC	01	400 ns <sup>(2)</sup>	1.6 $\mu$ s	2.0 $\mu$ s	6.4 $\mu$ s
	32 TOSC	10	1.6 $\mu$ s	6.4 $\mu$ s <sup>(3)</sup>	8.0 $\mu$ s <sup>(3)</sup>	25.6 $\mu$ s <sup>(3)</sup>
	A/D RC	11	2 - 6 $\mu$ s <sup>(1,4)</sup>	2 - 6 $\mu$ s <sup>(1,4)</sup>	2 - 6 $\mu$ s <sup>(1,4)</sup>	2 - 6 $\mu$ s <sup>(1,4)</sup>
Internal VRH or VRL	16 TOSC	00	800 ns <sup>(2)</sup>	3.2 $\mu$ s <sup>(2)</sup>	4 $\mu$ s <sup>(2)</sup>	12.8 $\mu$ s
	64 TOSC	01	3.2 $\mu$ s <sup>(2)</sup>	12.8 $\mu$ s	16 $\mu$ s	51.2 $\mu$ s <sup>(3)</sup>
	256 TOSC	10	12.8 $\mu$ s	51.2 $\mu$ s <sup>(3)</sup>	64 $\mu$ s <sup>(3)</sup>	204.8 $\mu$ s <sup>(3)</sup>
	A/D RC	11	16 - 48 $\mu$ s <sup>(4,5)</sup>	16 - 48 $\mu$ s <sup>(4,5)</sup>	16 - 48 $\mu$ s <sup>(4,5)</sup>	16 - 48 $\mu$ s <sup>(4,5)</sup>

Legend: Shaded cells are outside of recommended range.

**Note 1:** The A/D RC source has a typical TAD time of 4  $\mu$ s for VDD > 3.0V.

**2:** These values violate the minimum required TAD time.

**3:** For faster conversion times, the selection of another clock source is recommended.

**4:** When the device frequency is greater than 1 MHz, the A/D RC clock source is only recommended if the conversion will be performed during SLEEP.

**5:** A/D RC clock source has a typical TAD time of 32  $\mu$ s for VDD > 3.0V.



## 11.4 A/D Conversions

Example 11-1 shows an example that performs an A/D conversion. The port pins are configured as analog inputs. The analog reference VREF+ is the device AVDD and the analog reference VREF- is the device AVSS. The A/D interrupt is enabled and the A/D conversion clock is TRC. The conversion is performed on the AN0 channel.

### EXAMPLE 11-1: PERFORMING AN A/D CONVERSION

```
BSF    STATUS, RP0    ;Select Bank 1
CLRf   ADCON1        ;Configure A/D Voltage Reference
MOVLW  0x01
MOVWF  ANSEL         ;disable AN0 digital input buffer
MOVWF  TRISA         ;RA0 is input mode
BSF    PIE1, ADIE     ;Enable A/D interrupt
BCF    STATUS, RP0    ;Select Bank 0
MOVLW  0xC1          ;RC clock, A/D is on,
                        ;Ch 0 is selected

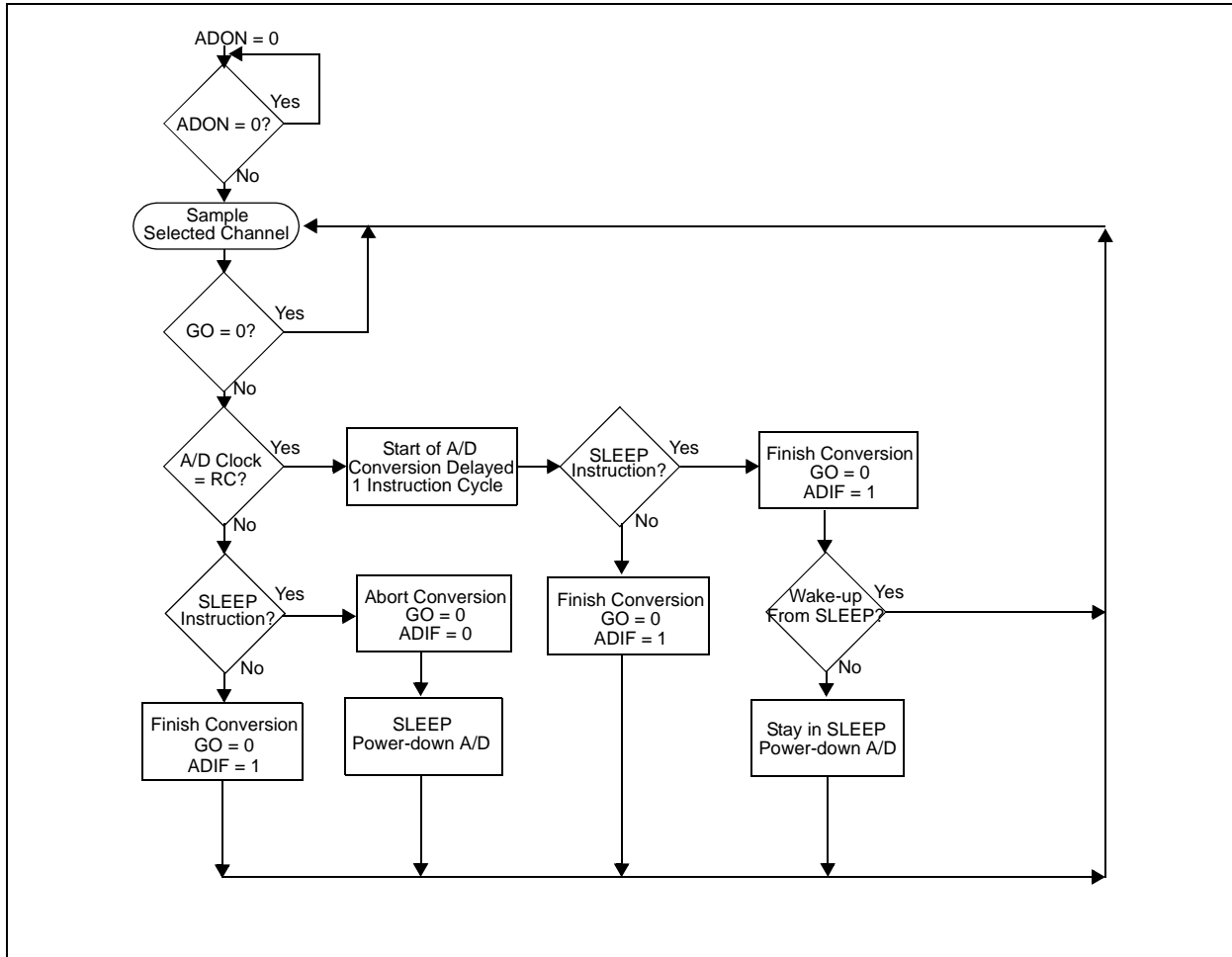
MOVWF  ADCON0        ;
BCF    PIR1, ADIF     ;Clear A/D Int Flag
BSF    INTCON, PEIE   ;Enable Peripheral
BSF    INTCON, GIE    ;Enable All Interrupts
;
; Ensure that the required sampling time for the
; selected input channel has lapsed. Then the
; conversion may be started.
BSF    ADCON0, GO     ;Start A/D Conversion
      :               ;The ADIF bit will be
      :               ;set and the GO/DONE bit
      :               ;cleared upon completion-
      :               ;of the A/D conversion.
; Wait for A/D completion and read ADRESH:ADRESL for result.
```

# PIC16C717/770/771

## 11.5 A/D Converter Module Operation

Figure 11-4 shows the flowchart of the A/D converter module.

FIGURE 11-4: FLOW CHART OF A/D OPERATION



## 11.6 A/D Sample Requirements

### 11.6.1 RECOMMENDED SOURCE IMPEDANCE

The maximum recommended impedance for analog sources is 2.5 kΩ. This value is calculated based on the maximum leakage current of the input pin. The leakage current is 100 nA max., and the analog input voltage cannot be varied by more than 1/4 LSB or 250 μV due to leakage. This places a requirement on the input impedance of 250 μV/100 nA = 2.5 kΩ.

### 11.6.2 SAMPLING TIME CALCULATION

For the A/D converter to meet its specified accuracy, the charge holding capacitor (CHOLD) must be allowed to fully charge to the input channel voltage level. The analog input model is shown in Figure 11-5. The source impedance (RS) and the internal sampling switch (RSS) impedance directly affect the time required to charge the capacitor CHOLD. The sampling switch (RSS) impedance varies over the device voltage (VDD), see Figure 11-5. **The maximum recommended impedance for analog sources is 2.5 kΩ.** After the analog input channel is selected (changed) this sampling must be done before the conversion can be started.

To calculate the minimum sampling time, Equation 11-2 may be used. This equation assumes that 1/4 LSB error is used (16384 steps for the A/D). The 1/4 LSB error is the maximum error allowed for the A/D to meet its specified resolution.

**The CHOLD is assumed to be 25 pF for the 12-bit A/D.**

### EXAMPLE 11-2: A/D SAMPLING TIME EQUATION

$$V_{\text{HOLD}} = V_{\text{REF}} - \frac{V_{\text{REF}}}{16384}$$

$$V_{\text{REF}} - \frac{V_{\text{REF}}}{16384} = (V_{\text{REF}}) \left( 1 - e^{\left( \frac{-T_C}{\text{CHOLD}(R_{\text{IC}} + R_{\text{SS}} + R_{\text{S}})} \right)} \right)$$

$$V_{\text{REF}} \left( 1 - \frac{1}{16384} \right) = (V_{\text{REF}}) \left( 1 - e^{\left( \frac{-T_C}{\text{CHOLD}(R_{\text{IC}} + R_{\text{SS}} + R_{\text{S}})} \right)} \right)$$

Solving for  $T_C$ :

$$T_C = -\text{CHOLD}(1k + R_{\text{SS}} + R_{\text{S}}) \ln \left( \frac{1}{16384} \right)$$

Figure 11-3 shows the calculation of the minimum time required to charge CHOLD. This calculation is based on the following system assumptions:

**CHOLD = 25 pF**

RS = 2.5 kΩ

1/4 LSB error

VDD = 5V → RSS = 10 kΩ (worst case)

Temp (system Max.) = 50°C

- Note 1:** The reference voltage (VREF) has no effect on the equation, since it cancels itself out.
- 2:** The charge holding capacitor (CHOLD) is not discharged after each conversion.
- 3:** The maximum recommended impedance for analog sources is 2.5 kΩ. This is required to meet the pin leakage specification.

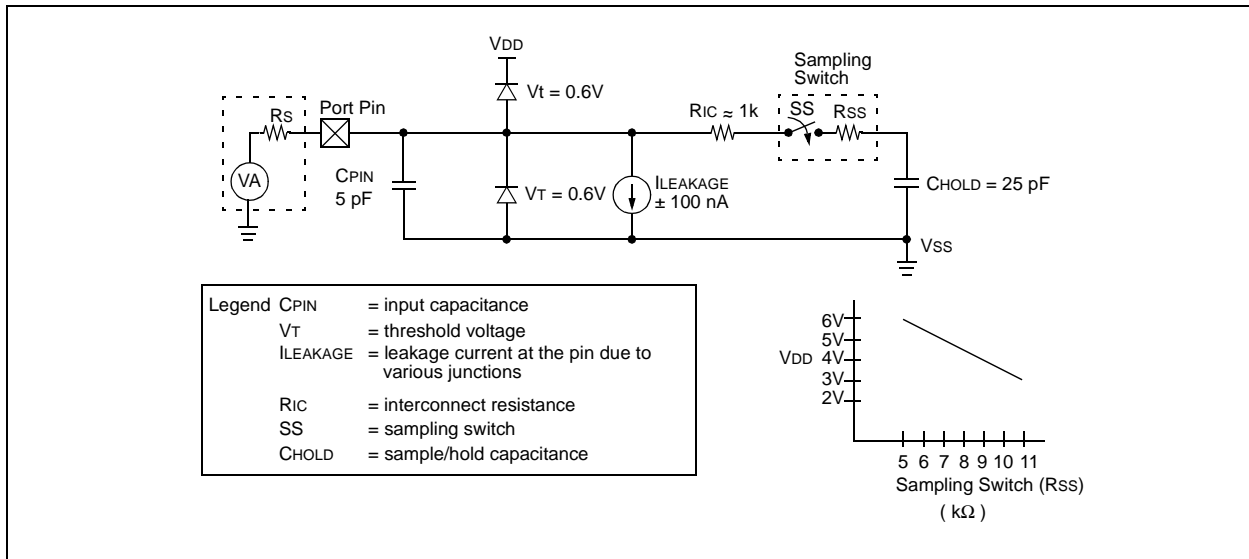
# PIC16C717/770/771

## EXAMPLE 11-3: CALCULATING THE MINIMUM REQUIRED SAMPLE TIME

$$\begin{aligned}
 T_{ACQ} &= \text{Amplifier Settling Time} \\
 &+ \text{Holding Capacitor Charging Time} \\
 &+ \text{Temperature offset} \quad \dagger \\
 T_{ACQ} &= 5 \mu\text{s} \\
 &+ T_c \\
 &+ [(Temp - 25^\circ\text{C})(0.05 \mu\text{s}/^\circ\text{C})] \quad \dagger \\
 \\
 T_c &= \text{Holding Capacitor Charging Time} \\
 T_c &= (CHOLD) (RIC + R_{SS} + R_s) \ln (1/16384) \\
 T_c &= -25 \text{ pF} (1 \text{ k}\Omega + 10 \text{ k}\Omega + 2.5 \text{ k}\Omega) \ln (1/16384) \\
 T_c &= -25 \text{ pF} (13.5 \text{ k}\Omega) \ln (1/16384) \\
 T_c &= -0.338 (-9.704)\mu\text{s} \\
 T_c &= 3.3 \mu\text{s} \\
 \\
 T_{ACQ} &= 5 \mu\text{s} \\
 &+ 3.3 \mu\text{s} \\
 &+ [(50^\circ\text{C} - 25^\circ\text{C})(0.05 \mu\text{s} / ^\circ\text{C})] \\
 \\
 T_{ACQ} &= 8.3 \mu\text{s} + 1.25 \mu\text{s} \\
 T_{ACQ} &= 9.55 \mu\text{s}
 \end{aligned}$$

† The temperature coefficient is only required for temperatures > 25°C.

FIGURE 11-5: ANALOG INPUT MODEL



## 11.7 Use of the ECCP Trigger

An A/D conversion can be started by the “special event trigger” of the CCP module. This requires that the CCP1M<3:0> bits be programmed as 1011b and that the A/D module is enabled (ADON is set). When the trigger occurs, the GO/DONE bit will be set on Q2 to start the A/D conversion and the Timer1 counter will be reset to zero. Timer1 is RESET to automatically repeat the A/D conversion cycle, with minimal software overhead (moving the ADRESH and ADRESL to the desired location). The appropriate analog input channel must be selected before the “special event trigger” sets the GO/DONE bit (starts a conversion cycle).

If the A/D module is not enabled (ADON is cleared), then the “special event trigger” will be ignored by the A/D module, but will still RESET the Timer1 counter.

## 11.8 Effects of a RESET

A device RESET forces all registers to their RESET state. This forces the A/D module to be turned off, and any conversion is aborted. The value that is in the ADRESH and ADRESL registers are not modified. The ADRESH and ADRESL registers will contain unknown data after a Power-on Reset.

## 11.9 Faster Conversion - Lower Resolution Trade-off

Not all applications require a result with 12 bits of resolution, but may instead require a faster conversion time. The A/D module allows users to make the trade-off of conversion speed to resolution. Regardless of the resolution required, the acquisition time is the same. To speed up the conversion, the A/D module may be halted by clearing the GO/DONE bit after the desired number of bits in the result have been converted. Once the GO/DONE bit has been cleared, all of the remaining A/D result bits are ‘0’. The equation to determine the time before the GO/DONE bit can be switched is as follows:

$$\text{Conversion time} = (N+1)T_{AD}$$

Where: N = number of bits of resolution required, and 1TAD is the amplifier settling time.

Since TAD is based from the device oscillator, the user must use some method (a timer, software loop, etc.) to determine when the A/D GO/DONE bit may be cleared. Table 11-4 shows a comparison of time required for a conversion with 4 bits of resolution, versus the normal 12-bit resolution conversion. The example is for devices operating at 20 MHz. The A/D clock is programmed for 32 TOSC.

### EXAMPLE 11-4: 4-BIT vs. 12-BIT CONVERSION TIME Example

4-Bit Example:

$$\begin{aligned}\text{Conversion Time} &= (N + 1) T_{AD} \\ &= (4 + 1) T_{AD} \\ &= (5)(1.6 \mu\text{S}) \\ &= 8 \mu\text{S}\end{aligned}$$

12-Bit Example:

$$\begin{aligned}\text{Conversion Time} &= (N + 1) T_{AD} \\ &= (12 + 1) T_{AD} \\ &= (13)(1.6 \mu\text{S}) \\ &= 20.8 \mu\text{S}\end{aligned}$$

# PIC16C717/770/771

## 11.10 A/D Operation During SLEEP

The A/D module can operate during SLEEP mode. This requires that the A/D clock source be configured for RC (ADCS<1:0> = 11b). With the RC clock source selected, when the GO/DONE bit is set the A/D module waits one instruction cycle before starting the conversion cycle. This allows the SLEEP instruction to be executed, which eliminates all digital switching noise during the sample and conversion. When the conversion cycle is completed the GO/DONE bit is cleared, and the result loaded into the ADRESH and ADRESL registers. If the A/D interrupt is enabled, the device will wake-up from SLEEP. If the A/D interrupt is not enabled, the A/D module will then be turned off, although the ADON bit will remain set.

When the A/D clock source is another clock option (not RC), a SLEEP instruction causes the present conversion to be aborted and the A/D module is turned off, though the ADON bit will remain set.

Turning off the A/D places the A/D module in its lowest current consumption state.

**Note:** For the A/D module to operate in SLEEP, the A/D clock source must be configured to RC (ADCS<1:0> = 11).

## 11.11 Connection Considerations

Since the analog inputs employ ESD protection, they have diodes to VDD and VSS. This requires that the analog input must be between VDD and VSS. If the input voltage exceeds this range by greater than 0.3V (either direction), one of the diodes becomes forward biased and it may damage the device if the input current specification is exceeded.

An external RC filter is sometimes added for anti-aliasing of the input signal. The R component should be selected to ensure that the total source impedance is kept under the 2.5 kΩ recommended specification. It is recommended that any external components connected to an analog input pin (capacitor, zener diode, etc.) have very little leakage current.

**TABLE 11-2: SUMMARY OF A/D REGISTERS**

Address	Name	Bit 7	Bit 6	Bit 5	Bit 4	Bit 3	Bit 2	Bit 1	Bit 0	Value on: POR, BOR	Value on all other RESETS
0Bh,8Bh,10Bh,18Bh	INTCON	GIE	PEIE	TOIE	INTE	RBIE	TOIF	INTF	RBIF	0000 000x	0000 000u
0Ch	PIR1	—	ADIF	—	—	SSPIF	CCP1IF	TMR2IF	TMR1IF	-0-- 0000	-0-- 0000
8Ch	PIE1	—	ADIE	—	—	SSPIE	CCP1IE	TMR2IE	TMR1IE	-0-- 0000	-0-- 0000
1Eh	ADRESH	A/D High Byte Result Register								xxxx xxxx	uuuu uuuu
9Eh	ADRESL	A/D Low Byte Result Register								xxxx xxxx	uuuu uuuu
9Bh	REFCON	VRHEN	VRLEN	VRHOEN	VRLOEN	—	—	—	—	0000 ----	0000 ----
1Fh	ADCON0	ADCS1	ADCS0	CHS2	CHS1	CHS0	GO/DONE	CHS3	ADON	0000 0000	0000 0000
9Fh	ADCON1	ADFM	VCFG2	VCFG1	VCFG0	—	—	—	—	0000 ----	0000 ----
05h	PORTA	PORTA Data Latch when written: PORTA pins when read								000x 0000	000u 0000
06h	PORTB	PORTB Data Latch when written: PORTB pins when read								xxxx xx11	uuuu uu11
85h	TRISA	PORTA Data Direction Register								1111 1111	1111 1111
86h	TRISB	PORTB Data Direction Register								1111 1111	1111 1111
9Dh	ANSEL	—	—	ANS5	ANS4	ANS3	ANS2	ANS1	ANS0	1111 1111	1111 1111
17h	CCP1CON	—	—	—	—	—	—	—	—	0000 0000	0000 0000

Legend: x = unknown, u = unchanged, - = unimplemented read as '0'. Shaded cells are not used for A/D conversion.

## 12.0 SPECIAL FEATURES OF THE CPU

These devices have a host of features intended to maximize system reliability, minimize cost through elimination of external components, provide power saving operating modes and offer code protection. These are:

- Oscillator Selection
- RESET
  - Power-on Reset (POR)
  - Power-up Timer (PWRT)
  - Oscillator Start-up Timer (OST)
  - Brown-out Reset (BOR)
- Interrupts
- Watchdog Timer (WDT)
- Low-voltage detection
- SLEEP
- Code protection
- ID locations
- In-circuit serial programming (ICSP)

These devices have a Watchdog Timer, which can be shut off only through configuration bits. It runs off its own RC oscillator for added reliability. There are two timers that offer necessary delays on power-up. One is the Oscillator Start-up Timer (OST), intended to keep the chip in RESET until the crystal oscillator is stable. The other is the Power-up Timer (PWRT), which provides a fixed delay of 72 ms (nominal) on power-up type RESETS only (POR, BOR), designed to keep the part in RESET while the power supply stabilizes. With these two timers on-chip, most applications need no external RESET circuitry.

SLEEP mode is designed to offer a very low current Power-down mode. The user can wake-up from SLEEP through external RESET, Watchdog Timer Wake-up, or through an interrupt. Several oscillator options are also made available to allow the part to fit the application. The INTRC and ER oscillator options save system cost while the LP crystal option saves power. A set of configuration bits are used to select various options.

Additional information on special features is available in the PICmicro™ Mid-Range MCU Family Reference Manual, (DS33023).

## 12.1 Configuration Bits

The configuration bits can be programmed (read as '0') or left unprogrammed (read as '1') to select various device configurations. These bits are mapped in program memory location 2007h.

The user will note that address 2007h is beyond the user program memory space.

Some of the core features provided may not be necessary to each application that a device may be used for. The configuration word bits allow these features to be configured/enabled/disabled as necessary. These features include code protection, Brown-out Reset and its trip point, the Power-up Timer, the watchdog timer and the devices Oscillator mode. As can be seen in Register 12-1, some additional configuration word bits have been provided for Brown-out Reset trip point selection.

# PIC16C717/770/771

## REGISTER 12-1: CONFIGURATION WORD FOR 16C717/770/771 DEVICE

$\overline{\text{CP}}$	$\overline{\text{CP}}$	BORV1	BORV0	$\overline{\text{CP}}$	$\overline{\text{CP}}$	—	BODEN	MCLRE	$\overline{\text{PWRTE}}$	WDTE	FOSC2	FOSC1	FOSC0
bit13													bit0

bit 13-12,  $\overline{\text{CP}}$ : **Program Memory Code Protection**

9-8  
1 = Code protection off  
0 = All program memory is protected<sup>(2)</sup>

bit 11-10: **BORV<1:0>**: Brown-out Reset Voltage bits

00 = VBOR set to 4.5V  
01 = VBOR set to 4.2V  
10 = VBOR set to 2.7V  
11 = VBOR set to 2.5V

bit 7: **Unimplemented**: Read as '1'

bit 6: **BODEN**: Brown-out Detect Reset Enable bit<sup>(1)</sup>

1 = Brown-out Detect Reset enabled  
0 = Brown-out Detect Reset disabled

bit 5: **MCLRE**: RA5/ $\overline{\text{MCLR}}$  pin function select

1 = RA5/ $\overline{\text{MCLR}}$  pin function is MCLR  
0 = RA5/ $\overline{\text{MCLR}}$  pin function is digital input,  $\overline{\text{MCLR}}$  internally tied to VDD

bit 4:  **$\overline{\text{PWRTE}}$** : Power-up Timer Enable bit<sup>(1)</sup>

1 = PWRT disabled  
0 = PWRT enabled

bit 3: **WDTE**: Watchdog Timer Enable bit

1 = WDT enabled  
0 = WDT disabled

bit 2-0: **FOSC<2:0>**: Oscillator Selection bits

000 = LP oscillator: Crystal/Resonator on RA6/OSC2/CLKOUT and RA7/OSC1/CLKIN  
001 = XT oscillator: Crystal/Resonator on RA6/OSC2/CLKOUT and RA7/OSC1/CLKIN  
010 = HS oscillator: Crystal/Resonator on RA6/OSC2/CLKOUT and RA7/OSC1/CLKIN  
011 = EC: I/O function on RA6/OSC2/CLKOUT pin, CLKIN function on RA7/OSC1/CLKIN  
100 = INTRC oscillator: I/O function on RA6/OSC2/CLKOUT pin, I/O function on RA7/OSC1/CLKIN  
101 = INTRC oscillator: CLKOUT function on RA6/OSC2/CLKOUT pin, I/O function on RA7/OSC1/CLKIN  
110 = ER oscillator: I/O function on RA6/OSC2/CLKOUT pin, Resistor on RA7/OSC1/CLKIN  
111 = ER oscillator: CLKOUT function on RA6/OSC2/CLKOUT pin, Resistor on RA7/OSC1/CLKIN

**Note 1:** Enabling Brown-out Reset automatically enables the Power-up Timer (PWRT), regardless of the value of bit  $\overline{\text{PWRTE}}$ . Ensure the Power-up Timer is enabled anytime Brown-out Reset is enabled.

**2:** All of the  $\overline{\text{CP}}$  bits must be given the same value to enable code protection.

### Legend

R = Readable bit

W = Writable bit

U = Unimplemented bit, read as '0'

-n = Value at POR

1 = bit is set

0 = bit is cleared

x = bit is unknown



## 12.2 Oscillator Configurations

### 12.2.1 OSCILLATOR TYPES

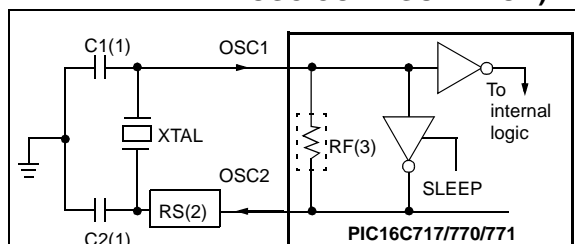
The PIC16C717/770/771 can be operated in eight different Oscillator modes. The user can program three configuration bits (FOSC<2:0>) to select one of these eight modes:

- LP Low Power Crystal
- XT Crystal/Resonator
- HS High Speed Crystal/Resonator
- ER External Resistor (with and without CLKOUT)
- INTRC Internal 4 MHz (with and without CLKOUT)
- EC External Clock

### 12.2.2 LP, XT AND HS MODES

In LP, XT or HS modes, a crystal or ceramic resonator is connected to the OSC1/CLKIN and OSC2/CLKOUT pins to establish oscillation (Figure 12-1). The PIC16C717/770/771 oscillator design requires the use of a parallel cut crystal. Use of a series cut crystal may give a frequency out of the crystal manufacturers specifications.

**FIGURE 12-1: CRYSTAL/CERAMIC RESONATOR OPERATION (HS, XT OR LP OSC CONFIGURATION)**



- Note1:** See Table 12-1 and Table 12-2 for recommended values of C1 and C2.
- 2:** A series resistor (RS) may be required for AT strip cut crystals.
- 3:** RF varies with the Crystal mode chosen.

**TABLE 12-1: CERAMIC RESONATORS**

Ranges Tested:			
Mode	Freq	OSC1	OSC2
XT	455 kHz	68 - 100 pF	68 - 100 pF
	2.0 MHz	15 - 68 pF	15 - 68 pF
	4.0 MHz	15 - 68 pF	15 - 68 pF
HS	8.0 MHz	10 - 68 pF	10 - 68 pF
	16.0 MHz	10 - 22 pF	10 - 22 pF
These values are for design guidance only. See notes at bottom of page.			
All resonators used did not have built-in capacitors.			

**TABLE 12-2: CAPACITOR SELECTION FOR CRYSTAL OSCILLATOR**

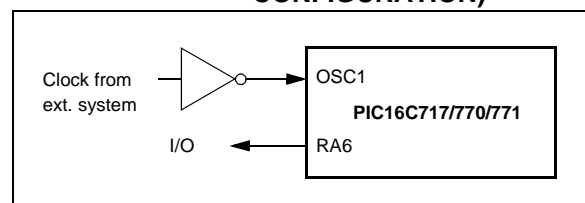
Osc Type	Crystal Freq	Cap. Range C1	Cap. Range C2
LP	32 kHz	33 pF	33 pF
	200 kHz	15 pF	15 pF
XT	200 kHz	47-68 pF	47-68 pF
	1 MHz	15 pF	15 pF
	4 MHz	15 pF	15 pF
HS	4 MHz	15 pF	15 pF
	8 MHz	15-33 pF	15-33 pF
	20 MHz	15-33 pF	15-33 pF
These values are for design guidance only. See notes at bottom of page.			

- Note 1:** Since each resonator/crystal has its own characteristics, the user should consult the resonator/crystal manufacturer for appropriate values of external components.
- 2:** Higher capacitance increases the stability of oscillator but also increases the start-up time.

### 12.2.3 EC MODE

In applications where the clock source is external, the PIC16C717/770/771 should be programmed to select the EC (External Clock) mode. In this mode, the RA6/OSC2/CLKOUT pin is available as an I/O pin. See Figure 12-2 for illustration.

**FIGURE 12-2: EXTERNAL CLOCK INPUT OPERATION (EC OSC CONFIGURATION)**



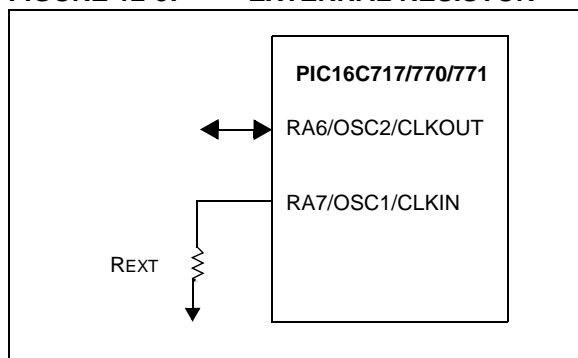
# PIC16C717/770/771

## 12.2.4 ER MODE

For timing insensitive applications, the ER (External Resistor) Clock mode offers additional cost savings. Only one external component, a resistor connected to the OSC1 pin and VSS, is needed to set the operating frequency of the internal oscillator. The resistor draws a DC bias current which controls the oscillation frequency. In addition to the resistance value, the oscillator frequency will vary from unit to unit, and as a function of supply voltage and temperature. Since the controlling parameter is a DC current and not a capacitance, the particular package type and lead frame will not have a significant effect on the resultant frequency.

Figure 12-3 shows how the controlling resistor is connected to the PIC16C717/770/771. For REXT values below 38 k $\Omega$ , the oscillator operation may become unstable, or stop completely. For very high REXT values (e.g. 1M), the oscillator becomes sensitive to noise, humidity and leakage. Thus, we recommend keeping REXT between 38 k $\Omega$  and 1 M $\Omega$ .

**FIGURE 12-3: EXTERNAL RESISTOR**



The Electrical Specification section shows the relationship between the REXT resistance value and the operating frequency as well as frequency variations due to operating temperature for given REXT and VDD values.

The ER Oscillator mode has two options that control the OSC2 pin. The first allows it to be used as a general purpose I/O port. The other configures the pin as CLKOUT. The ER oscillator does not run during RESET.

## 12.2.5 INTRC MODE

The internal RC oscillator provides a fixed 4 MHz (nominal) system clock at VDD = 5V and 25°C, see "Electrical Specifications" section for information on variation over voltage and temperature. The INTRC oscillator does not run during RESET.

## 12.2.6 CLKOUT

In the INTRC and ER modes, the PIC16C717/770/771 can be configured to provide a clock out signal by programming the configuration word. The oscillator frequency, divided by 4, can be used for test purposes or to synchronize other logic.

In the INTRC and ER modes, if the CLKOUT output is enabled, CLKOUT is held low during RESET.

## 12.2.7 DUAL SPEED OPERATION FOR ER AND INTRC MODES

A software programmable dual speed oscillator is available in either ER or INTRC Oscillator modes. This feature allows the applications to dynamically toggle the oscillator speed between normal and slow frequencies. The nominal slow frequency is 37 kHz. In ER mode, the slow speed operation is fixed and does not vary with resistor size. Applications that require low current power savings, but cannot tolerate putting the part into SLEEP, may use this mode.

The OSCF bit in the PCON register is used to control Dual Speed mode. See the PCON Register, Register 2-8, for details.

When changing the INTRC or ER internal oscillator speed, there is a period of time when the processor is inactive. When the speed changes from fast to slow, the processor inactive period is in the range of 100  $\mu$ S to 300  $\mu$ S. For speed change from slow to fast, the processor is in active for 1.25  $\mu$ S to 3.25  $\mu$ S.

## 12.3 RESET

The PIC16C717/770/771 devices have several different RESETS. These RESETS are grouped into two classifications; power-up and non-power-up. The power-up type RESETS are the Power-on and Brown-out Resets which assume the device VDD was below its normal operating range for the device's configuration. The non power-up type RESETS assume normal operating limits were maintained before/during and after the RESET.

- Power-on Reset (POR)
- Programmable Brown-out Reset (PBOR)
- $\overline{\text{MCLR}}$  Reset during normal operation
- $\overline{\text{MCLR}}$  Reset during SLEEP
- WDT Reset (during normal operation)

Some registers are not affected in any RESET condition. Their status is unknown on a Power-up Reset and unchanged in any other RESET. Most other registers are placed into an initialized state upon RESET, however they are not affected by a WDT Reset during SLEEP, because this is considered a WDT Wake-up, which is viewed as the resumption of normal operation.

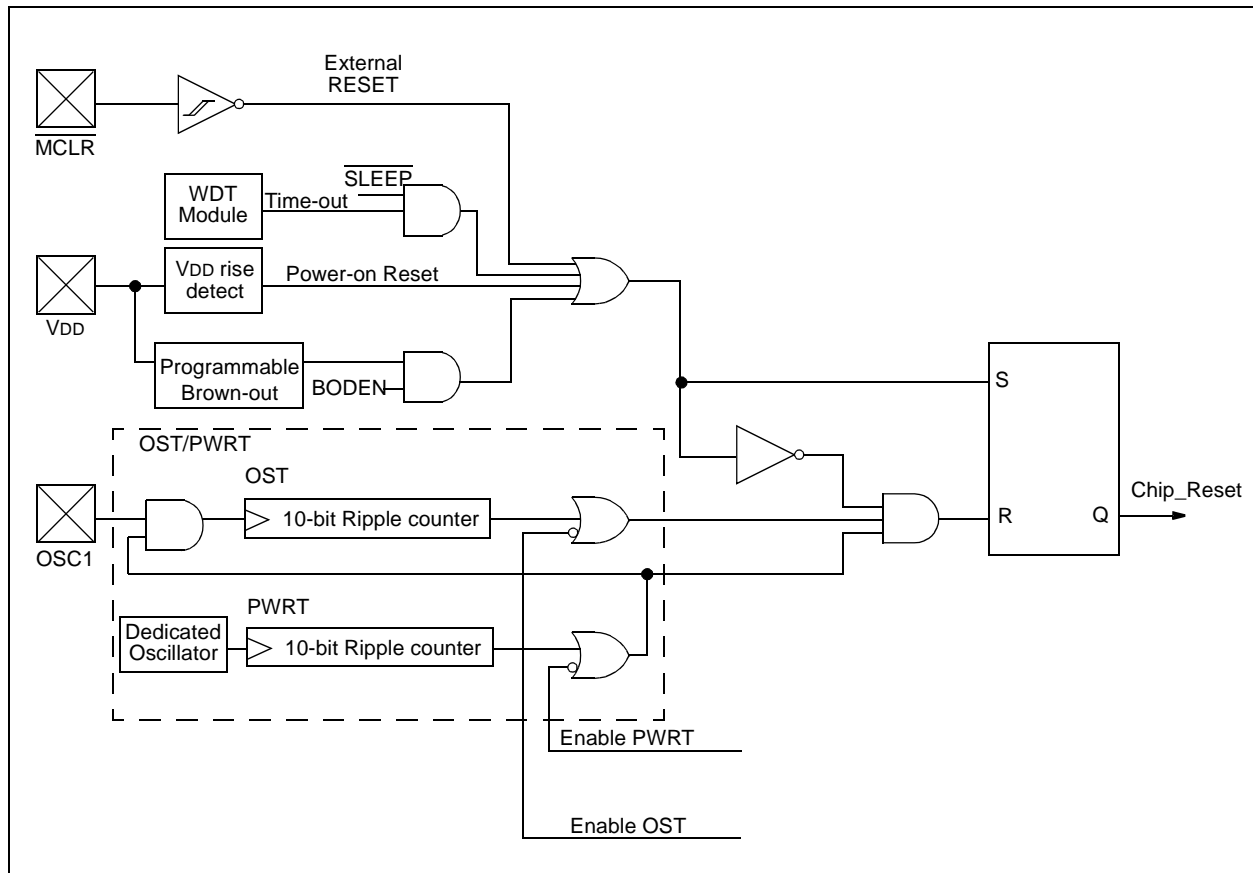
Several status bits have been provided to indicate which RESET occurred (see Table 12-4). See Table 12-6 for a full description of RESET states of all registers.

A simplified block diagram of the On-Chip Reset circuit is shown in Figure 12-4.

These devices have a  $\overline{\text{MCLR}}$  noise filter in the  $\overline{\text{MCLR}}$  Reset path. The filter will detect and ignore small pulses.

It should be noted that a WDT Reset does not drive  $\overline{\text{MCLR}}$  pin low.

**FIGURE 12-4: SIMPLIFIED BLOCK DIAGRAM OF ON-CHIP RESET CIRCUIT**



# PIC16C717/770/771

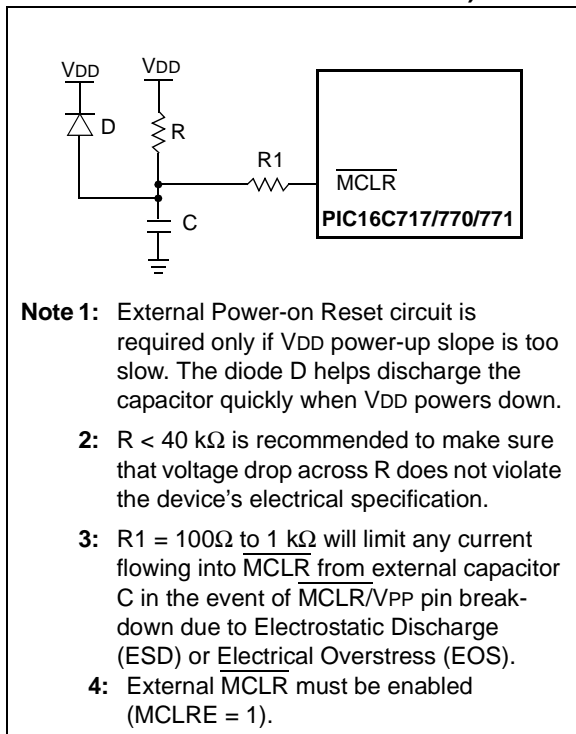
## 12.4 Power-On Reset (POR)

A Power-on Reset pulse is generated on-chip when a VDD rise is detected (in the range of 1.5V - 2.1V). Enable the internal  $\overline{\text{MCLR}}$  feature to eliminate external RC components usually needed to create a Power-on Reset. A maximum rise time for VDD is specified. See Electrical Specifications for details. For a long rise time, enable external  $\overline{\text{MCLR}}$  function and use circuit as shown in Figure 12-5.

Two delay timers, (PWRT on OST), have been provided which hold the device in RESET after a POR (dependent upon device configuration) so that all operational parameters have been met prior to releasing the device to resume/begin normal operation.

When the device starts normal operation (exits the RESET condition), device operating parameters (voltage, frequency, temperature,...) must be met to ensure operation. If these conditions are not met, the device must be held in RESET until the operating conditions are met. Brown-out Reset may be used to meet the start-up conditions, or if necessary an external POR circuit may be implemented to delay end of RESET for as long as needed.

**FIGURE 12-5: EXTERNAL POWER-ON RESET CIRCUIT (FOR SLOW VDD RAMP)**



## 12.5 Power-up Timer (PWRT)

The Power-up Timer provides a fixed TPWRT time-out on power-up type RESETS only. For a POR, the PWRT is invoked when the POR pulse is generated. For a BOR, the PWRT is invoked when the device exits the RESET condition (VDD rises above BOR trip point). The Power-up Timer operates on an internal RC oscillator. The chip is kept in RESET as long as the PWRT is active. The PWRT's time delay is designed to allow VDD to rise to an acceptable level. A configuration bit is provided to enable/disable the PWRT for the POR only. For a BOR the PWRT is always available regardless of the configuration bit setting.

The power-up time delay will vary from chip-to-chip due to VDD, temperature and process variation. See DC parameters for details.

## 12.6 Oscillator Start-up Timer (OST)

The Oscillator Start-up Timer (OST) provides 1024 oscillator cycle (from OSC1 input) delay after the PWRT delay is over. This ensures that the crystal oscillator or resonator has started and stabilized.

The OST time-out is invoked only for XT, LP and HS modes and only on a power-up type RESET or a wake-up from SLEEP.

## 12.7 Programmable Brown-Out Reset (PBOR)

The Programmable Brown-out Reset module is used to generate a RESET when the supply voltage falls below a specified trip voltage. The trip voltage is configurable to any one of four voltages provided by the  $\text{BORV}<1:0>$  configuration word bits.

Configuration bit, BODEN, can disable (if clear/programmed) or enable (if set) the Brown-out Reset circuitry. If VDD falls below the specified trip point for longer than TBOR, (parameter #35), the brown-out situation will RESET the chip. A RESET may not occur if VDD falls below the trip point for less than TBOR. The chip will remain in Brown-out Reset until VDD rises above VBOR. The Power-up Timer will be invoked at that point and will keep the chip in RESET an additional TPWRT. If VDD drops below VBOR while the Power-up Timer is running, the chip will go back into a Brown-out Reset and the Power-up Timer will be re-initialized. Once VDD rises above VBOR, the Power-up Timer will again begin a TPWRT time delay. Even though the PWRT is always enabled when brown-out is enabled, the PWRT configuration word bit should be cleared (enabled) when brown-out is enabled.

## 12.8 Time-out Sequence

On power-up, the time-out sequence is as follows: First PWRT time-out is invoked by the POR pulse. When the PWRT delay expires, the Oscillator Start-up Timer is activated. The total time-out will vary based on oscillator configuration and the status of the PWRT. For example, in RC mode with the PWRT disabled, there will be no time-out at all. Figure 12-6, Figure 12-7, Figure 12-8 and Figure 12-9 depict time-out sequences on power-up.

Since the time-outs occur from the POR pulse, if  $\overline{\text{MCLR}}$  is kept low long enough, the time-outs will expire. Then bringing  $\overline{\text{MCLR}}$  high will begin execution immediately (Figure 12-8). This is useful for testing purposes or to synchronize more than one PICmicro® microcontroller operating in parallel.

Table 12-5 shows the RESET conditions for some special function registers, while Table 12-6 shows the RESET conditions for all the registers.

## 12.9 Power Control/STATUS Register (PCON)

The Power Control/STATUS Register, PCON, has two status bits that provide indication of which power-up type RESET occurred.

Bit0 is Brown-out Reset Status bit,  $\overline{\text{BOR}}$ . The  $\overline{\text{BOR}}$  bit is unknown upon a POR.  $\overline{\text{BOR}}$  must be set by the user and checked on subsequent RESETS to see if bit  $\overline{\text{BOR}}$  cleared, indicating a BOR occurred.

Bit1 is  $\overline{\text{POR}}$  (Power-on Reset Status bit). It is cleared on a Power-on Reset and unaffected otherwise. The user must set this bit following a Power-on Reset.

**TABLE 12-3: TIME-OUT IN VARIOUS SITUATIONS**

Oscillator Configuration	Power-up		Brown-out	Wake-up from SLEEP
	$\overline{\text{PWRTE}} = 0$	$\overline{\text{PWRTE}} = 1$		
XT, HS, LP	TPWRT + 1024TOSC	1024TOSC	TPWRT + 1024TOSC	1024TOSC
EC, ER, INTRC	TPWRT	—	TPWRT	—

**TABLE 12-4: STATUS BITS AND THEIR SIGNIFICANCE**

$\overline{\text{POR}}$	$\overline{\text{BOR}}$	$\overline{\text{TO}}$	$\overline{\text{PD}}$	
0	x	1	1	Power-on Reset
0	x	0	x	Illegal, $\overline{\text{TO}}$ is set on $\overline{\text{POR}}$
0	x	x	0	Illegal, $\overline{\text{PD}}$ is set on $\overline{\text{POR}}$
1	0	1	1	Brown-out Reset
1	1	0	1	WDT Reset
1	1	0	0	WDT Wake-up
1	1	u	u	$\overline{\text{MCLR}}$ Reset during normal operation
1	1	1	0	$\overline{\text{MCLR}}$ Reset during SLEEP or interrupt wake-up from SLEEP

**TABLE 12-5: RESET CONDITION FOR SPECIAL REGISTERS**

Condition	Program Counter	STATUS Register	PCON Register
Power-on Reset	000h	0001 1xxx	---- 1-0x
$\overline{\text{MCLR}}$ Reset during normal operation	000h	000u uuuu	---- 1-uu
$\overline{\text{MCLR}}$ Reset during SLEEP	000h	0001 0uuu	---- 1-uu
WDT Reset	000h	0000 1uuu	---- 1-uu
WDT Wake-up	PC + 1	uuu0 0uuu	---- u-uu
Brown-out Reset	000h	0001 1uuu	---- 1-u0
Interrupt wake-up from SLEEP, GIE = 0	PC + 1	uuu1 0uuu	---- u-uu
Interrupt wake-up from SLEEP, GIE = 1	0004h	uuu1 0uuu	---- u-uu

Legend: u = unchanged, x = unknown, - = unimplemented bit read as '0'.

# PIC16C717/770/771

TABLE 12-6: INITIALIZATION CONDITIONS FOR ALL REGISTERS

Register	Power-on Reset or Brown-out Reset	MCLR Reset or WDT Reset	Wake-up via WDT or Interrupt
W	xxxx xxxx	uuuu uuuu	uuuu uuuu
INDF	0000 0000	uuuu uuuu	uuuu uuuu
TMR0	xxxx xxxx	uuuu uuuu	uuuu uuuu
PCL	0000h	0000h	PC + 1 <sup>(1)</sup>
STATUS	0001 1xxx	000q quuu <sup>(2)</sup>	uuuq quuu <sup>(2)</sup>
FSR	xxxx xxxx	uuuu uuuu	uuuu uuuu
PORTA	xxxx 0000	uuuu 0000	uuuu uuuu
PORTB	xxxx xx11	uuuu uu11	uuuu uuuu
PCLATH	---0 0000	---0 0000	---u uuuu
INTCON	0000 000x	0000 000u	uuuu uuqq
PIR1	-0-- 0000	-0-- 0000	-0-- uuuu
PIR2	0--- 0---	0--- 0---	q--- q---
TMR1L	xxxx xxxx	uuuu uuuu	uuuu uuuu
TMR1H	xxxx xxxx	uuuu uuuu	uuuu uuuu
T1CON	--00 0000	--uu uuuu	--uu uuuu
TMR2	0000 0000	0000 0000	uuuu uuuu
T2CON	-000 0000	-000 0000	-uuu uuuu
SSPBUF	xxxx xxxx	uuuu uuuu	uuuu uuuu
SSPCON	0000 0000	0000 0000	uuuu uuuu
CCPR1L	xxxx xxxx	uuuu uuuu	uuuu uuuu
CCPR1H	xxxx xxxx	uuuu uuuu	uuuu uuuu
CCP1CON	0000 0000	0000 0000	uuuu uuuu
ADRESH	xxxx xxxx	uuuu uuuu	uuuu uuuu
ADCON0	0000 0000	0000 0000	uuuu uuuu
OPTION_REG	1111 1111	1111 1111	uuuu uuuu
TRISA	1111 1111	1111 1111	uuuu uuuu
TRISB	1111 1111	1111 1111	uuuu uuuu
PIE1	-0-- 0000	-0-- 0000	-u-- uuuu
PIE2	0--- 0---	0--- 0---	u--- u---
PCON	---- 1-qq	---- 1-uu	---- u-uu
PR2	1111 1111	1111 1111	1111 1111
SSPADD	0000 0000	0000 0000	uuuu uuuu
SSPSTAT	0000 0000	0000 0000	uuuu uuuu
WPUB	1111 1111	1111 1111	uuuu uuuu
IOCB	1111 0000	1111 0000	uuuu uuuu

Legend: u = unchanged, x = unknown, - = unimplemented bit, read as '0', q = value depends on condition  
**Note 1:** When the wake-up is due to an interrupt and the GIE bit is set, the PC is loaded with the interrupt vector (0004h).

**2:** See Table 12-5 for RESET value for specific condition.

**TABLE 12-6: INITIALIZATION CONDITIONS FOR ALL REGISTERS (CONTINUED)**

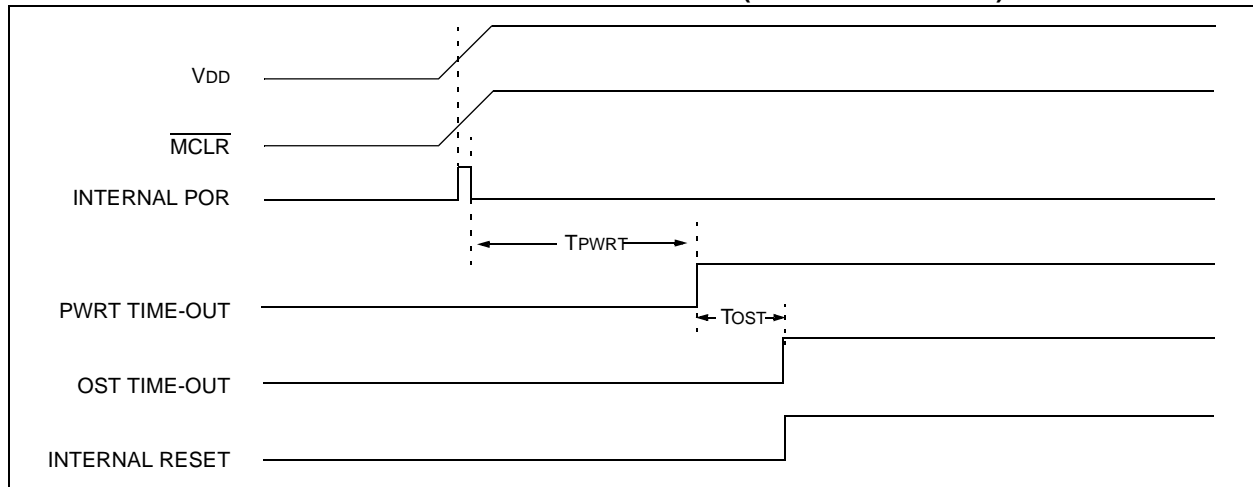
Register	Power-on Reset or Brown-out Reset	MCLR Reset or WDT Reset	Wake-up via WDT or Interrupt
P1DEL	0000 0000	0000 0000	uuuu uuuu
REFCON	0000 ----	0000 ----	uuuu ----
LVDCON	--00 0101	--00 0101	--uu uuuu
ANSEL	--11 1111	--11 1111	--uu uuuu
ADRESL	xxxx xxxx	uuuu uuuu	uuuu uuuu
ADCON1	0000 0000	0000 0000	uuuu uuuu
PMDATL	xxxx xxxx	uuuu uuuu	uuuu uuuu
PMADRL	xxxx xxxx	uuuu uuuu	uuuu uuuu
PMDATH	--xx xxxx	--uu uuuu	--uu uuuu
PMADRH	---- xxxx	---- uuuu	---- uuuu
PMCON1	1---- ---0	1---- ---0	1---- ---0

Legend: u = unchanged, x = unknown, - = unimplemented bit, read as '0', q = value depends on condition

**Note 1:** When the wake-up is due to an interrupt and the GIE bit is set, the PC is loaded with the interrupt vector (0004h).

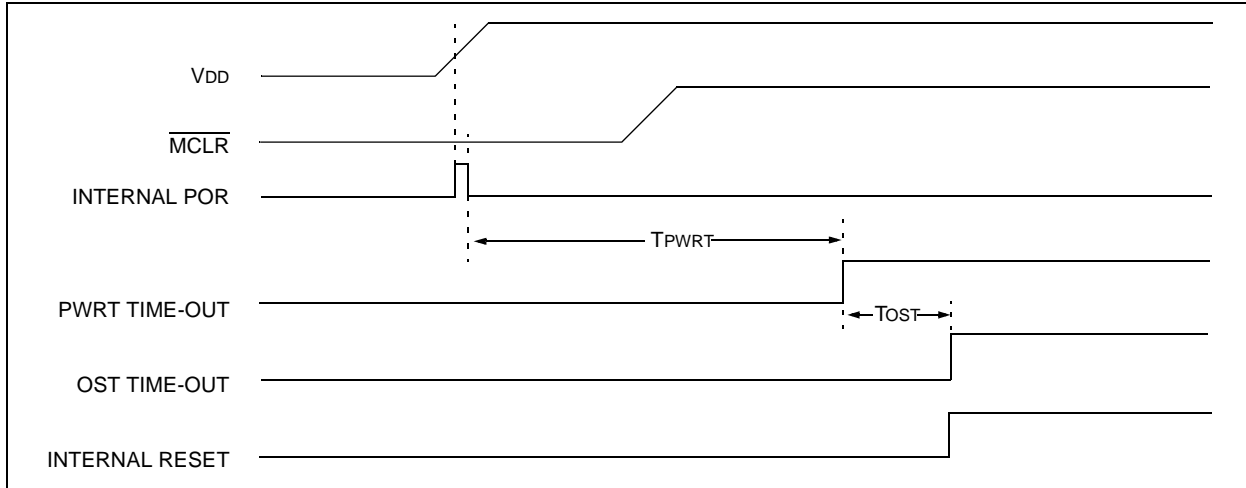
**2:** See Table 12-5 for RESET value for specific condition.

**FIGURE 12-6: TIME-OUT SEQUENCE ON POWER-UP (MCLR TIED TO VDD)**

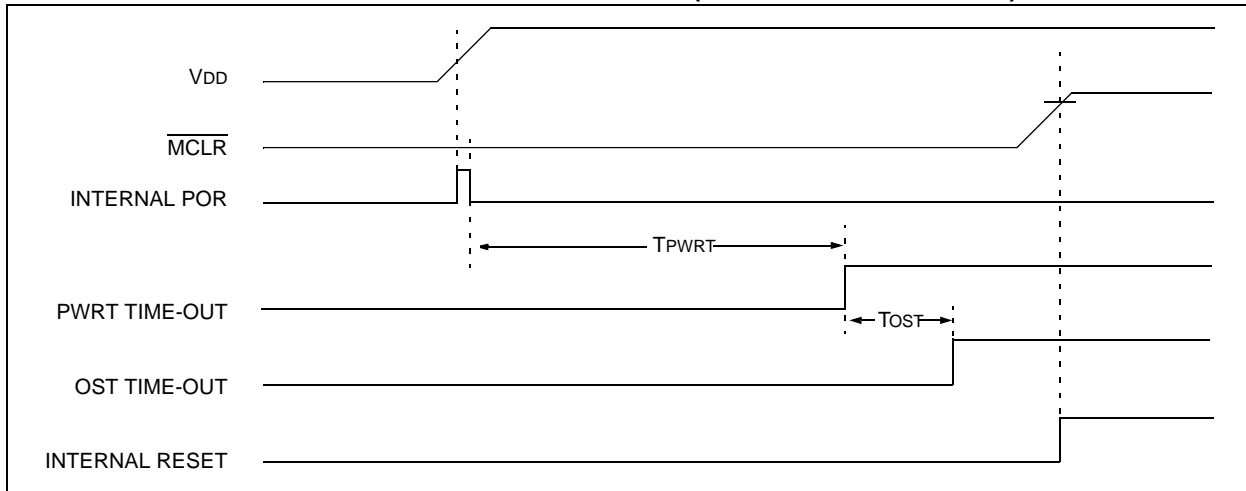


# PIC16C717/770/771

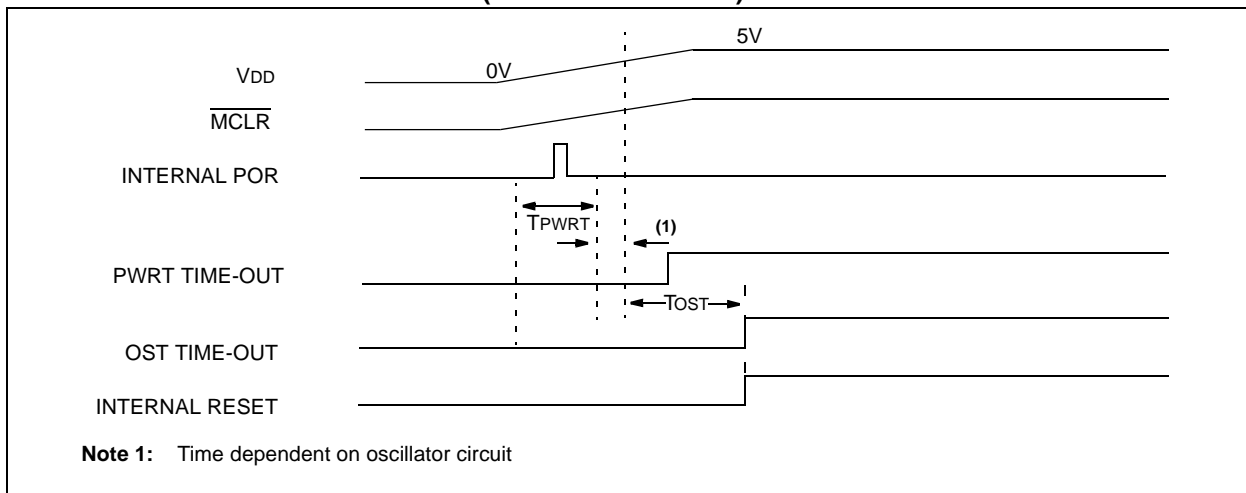
**FIGURE 12-7: TIME-OUT SEQUENCE ON POWER-UP ( $\overline{\text{MCLR}}$  NOT TIED TO  $V_{\text{DD}}$ ): CASE 1**



**FIGURE 12-8: TIME-OUT SEQUENCE ON POWER-UP ( $\overline{\text{MCLR}}$  NOT TIED TO  $V_{\text{DD}}$ ): CASE 2**



**FIGURE 12-9: SLOW  $V_{\text{DD}}$  RISE TIME ( $\overline{\text{MCLR}}$  TIED TO  $V_{\text{DD}}$ )**





## 12.10 Interrupts

The devices have up to 11 sources of interrupt. The interrupt control register (INTCON) records individual interrupt requests in flag bits. It also has individual and global interrupt enable bits.

**Note:** Individual interrupt flag bits are set regardless of the status of their corresponding mask bit or the GIE bit.

A Global Interrupt Enable bit, GIE (INTCON<7>), enables (if set) all un-masked interrupts or disables (if cleared) all interrupts. When bit GIE is enabled and an interrupt's flag bit and mask bit are set, the interrupt will vector immediately. Individual interrupts can be disabled through their corresponding enable bits in various registers. Individual interrupt bits are set, regardless of the status of the GIE bit. The GIE bit is cleared on RESET.

The "return from interrupt" instruction, `RETFIE`, exits the interrupt routine as well as sets the GIE bit, which re-enables interrupts.

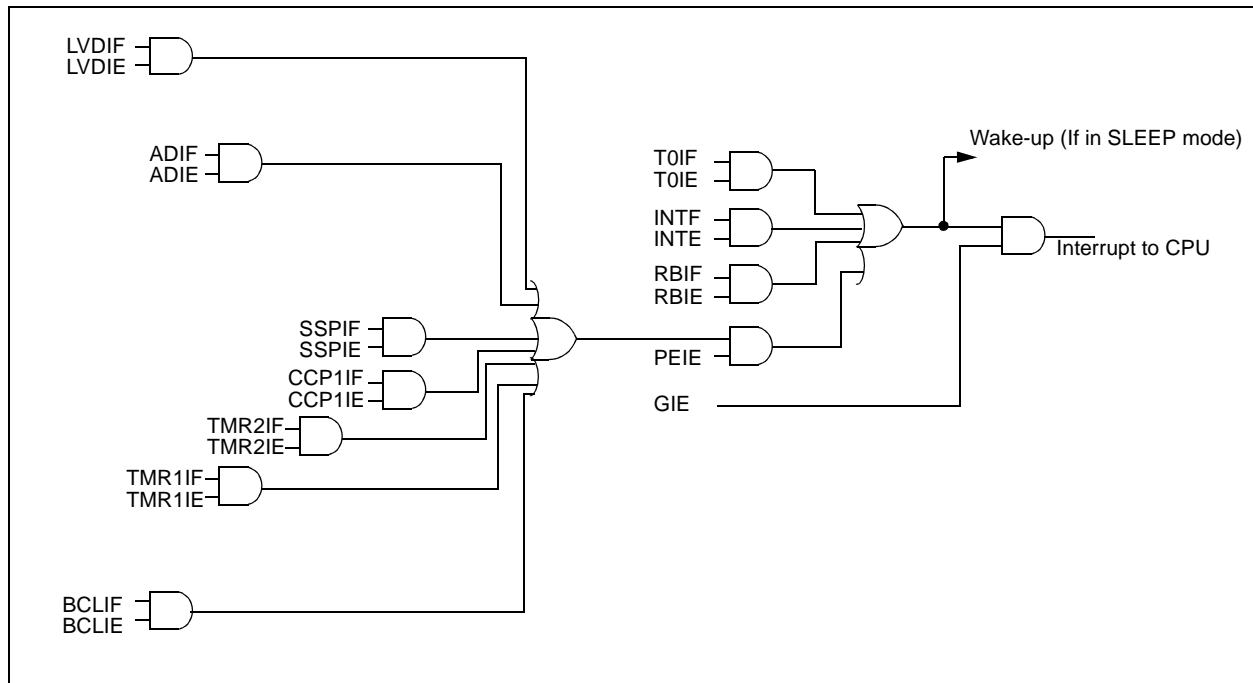
The RB0/INT pin interrupt, the RB port change interrupt and the TMR0 overflow interrupt flags are contained in the INTCON register.

The peripheral interrupt flags are contained in the special function registers PIR1 and PIR2. The corresponding interrupt enable bits are contained in special function registers PIE1 and PIE2, and the peripheral interrupt enable bit is contained in special function register INTCON.

When an interrupt is responded to, the GIE bit is cleared to disable any further interrupt, the return address is pushed onto the stack and the PC is loaded with 0004h. Once in the interrupt service routine the source(s) of the interrupt can be determined by polling the interrupt flag bits. The interrupt flag bit(s) must be cleared in software before re-enabling interrupts to avoid recursive interrupts.

For external interrupt events, such as the INT pin or PORTB change interrupt, the interrupt latency will be three or four instruction cycles. The exact latency depends when the interrupt event occurs. The latency is the same for one or two cycle instructions. Individual interrupt flag bits are set regardless of the status of their corresponding mask bit or the GIE bit

**FIGURE 12-10: INTERRUPT LOGIC**



# PIC16C717/770/771

## 12.10.1 INT INTERRUPT

External interrupt on RB0/INT pin is edge triggered: either rising if bit INTEDG (OPTION\_REG<6>) is set, or falling, if the INTEDG bit is clear. When a valid edge appears on the RB0/INT pin, flag bit INTF (INTCON<1>) is set. This interrupt can be disabled by clearing enable bit INTE (INTCON<4>). Flag bit INTF must be cleared in software in the interrupt service routine before re-enabling this interrupt. The INT interrupt can wake-up the processor from SLEEP, if bit INTE was set prior to going into SLEEP. The status of global interrupt enable bit GIE decides whether or not the processor branches to the interrupt vector following wake-up. See Section 12.13 for details on SLEEP mode.

## 12.10.2 TMR0 INTERRUPT

An overflow (FFh → 00h) in the TMR0 register will set flag bit TOIF (INTCON<2>). The interrupt can be enabled/disabled by setting/clearing enable bit TOIE (INTCON<5>). (Section 2.2.2.3)

## 12.10.3 PORTB INTCON CHANGE

An input change on PORTB<7:0> sets flag bit RBIF (INTCON<0>). The PORTB pin(s) which can individually generate interrupt is selectable in the IOCB register. The interrupt can be enabled/disabled by setting/clearing enable bit RBIE (INTCON<4>). (Section 2.2.2.3)

## 12.11 Context Saving During Interrupts

During an interrupt, only the PC is saved on the stack. At the very least, W and STATUS should be saved to preserve the context for the interrupted program. All registers that may be corrupted by the ISR, such as PCLATH or FSR, should be saved.

Example 12-1 stores and restores the STATUS, W and PCLATH registers. The register, W\_TEMP, is defined in Common RAM, the last 16 bytes of each bank that may be accessed from any bank. The STATUS\_TEMP and PCLATH\_TEMP are defined in bank 0.

The example:

- a) Stores the W register.
- b) Stores the STATUS register in bank 0.
- c) Stores the PCLATH register in bank 0.
- d) Executes the ISR code.
- e) Restores the PCLATH register.
- f) Restores the STATUS register
- g) Restores W.

Note that W\_TEMP, STATUS\_TEMP and PCLATH\_TEMP are defined in the common RAM area (70h - 7Fh) to avoid register bank switching during context save and restore.

### EXAMPLE 12-1: Saving STATUS, W, and PCLATH Registers in RAM

```
#define W_TEMP          0x70
#define STATUS_TEMP    0x71
#define PCLATH_TEMP    0x72
    org 0x04            ; start at Interrupt Vector
MOVWF W_TEMP          ; Save W register
MOVF STATUS,w
MOVWF STATUS_TEMP    ; save STATUS
MOVF PCLATH,w
MOVWF PCLATH_TEMP    ; save PCLATH
:
(Interrupt Service Routine)
:
MOVF PCLATH_TEMP,w
MOVWF PCLATH
MOVF STATUS_TEMP,w
MOVWF STATUS
SWAPF W_TEMP,f      ;
SWAPF W_TEMP,w      ; swapf loads W without affecting STATUS flags
RETFIE
```

## 12.12 Watchdog Timer (WDT)

The Watchdog Timer is a free running on-chip RC oscillator, which does not require any external components. This oscillator is independent from the processor clock. If enabled, the WDT will run even if the main clock of the device has been stopped, for example, by execution of a SLEEP instruction.

During normal operation, a WDT time-out generates a device RESET (Watchdog Timer Reset). If the device is in SLEEP mode, a WDT time-out causes the device to

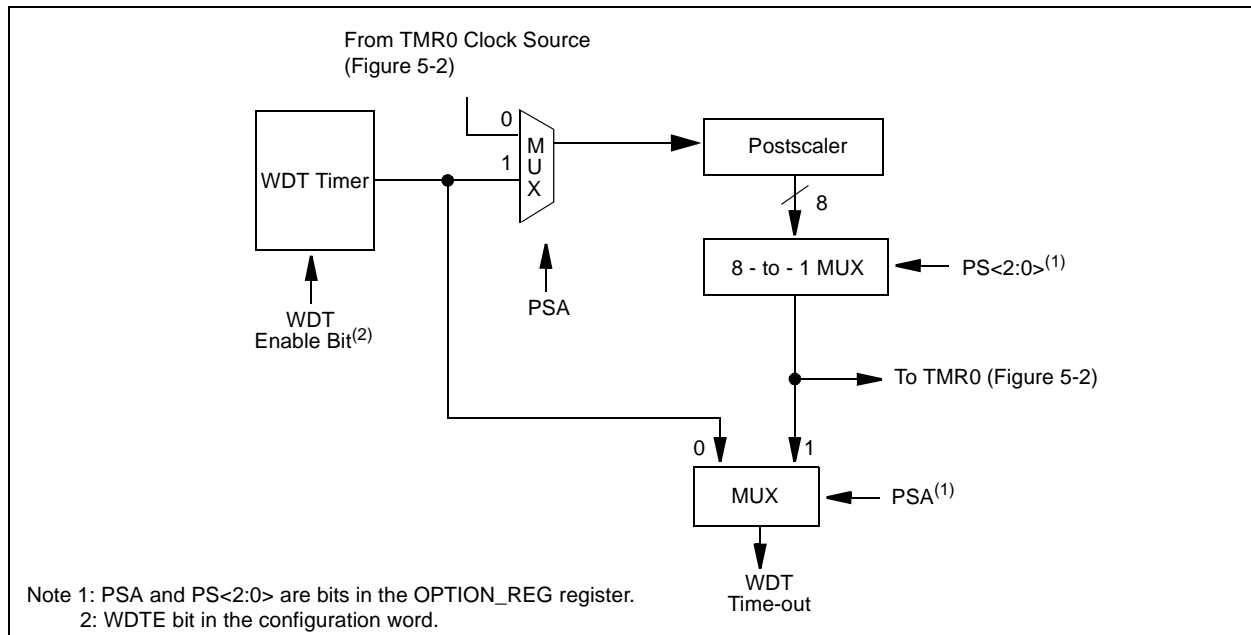
wake-up and continue with normal operation (Watchdog Timer Wake-up). The  $\overline{TO}$  bit in the STATUS register will be cleared upon a Watchdog Timer time-out.

The WDT can be permanently disabled by programming the configuration bit WDTE to '0' (Section 12.1).

WDT time-out period values may be found in Table 15-4. Values for the WDT prescaler may be assigned using the OPTION\_REG register.

**Note:** The SLEEP instruction clears the WDT and the postscaler, if assigned to the WDT, restarting the WDT period.

**FIGURE 12-11: WATCHDOG TIMER BLOCK DIAGRAM**



**TABLE 12-7: SUMMARY OF WATCHDOG TIMER REGISTERS**

Address	Name	Bit 7	Bit 6	Bit 5	Bit 4	Bit 3	Bit 2	Bit 1	Bit 0
2007h	Config. bits <sup>(1)</sup>	—	BODEN	MCLRE	$\overline{PWRTE}$	WDTE	FOSC2	FOSC1	FOSC0
81h,181h	OPTION_REG	$\overline{RBPU}$	INTEDG	T0CS	T0SE	PSA	PS2	PS1	PS0

Legend: Shaded cells are not used by the Watchdog Timer.

**Note 1:** See Register 12-1 for the full description of the configuration word bits.

## 12.13 Power-down Mode (SLEEP)

Power-down mode is entered by executing a `SLEEP` instruction.

If enabled, the Watchdog Timer will be cleared but keeps running, the  $\overline{PD}$  bit (`STATUS<3>`) is cleared, the  $\overline{TO}$  (`STATUS<4>`) bit is set, and the oscillator driver is turned off. The I/O ports maintain the status they had, before the `SLEEP` instruction was executed (driving high, low, or hi-impedance).

For lowest current consumption in this mode, place all I/O pins at either  $V_{DD}$ , or  $V_{SS}$ , ensure no external circuitry is drawing current from the I/O pin, power-down the A/D, disable external clocks. Pull all I/O pins, that are hi-impedance inputs, high or low externally to avoid switching currents caused by floating inputs. The `TOCKI` input should also be at  $V_{DD}$  or  $V_{SS}$  for lowest current consumption. The contribution from on-chip pull-ups on `PORTB` should be considered.

### 12.13.1 WAKE-UP FROM SLEEP

The device can wake-up from `SLEEP` through one of the following events:

1. External `RESET` input on  $\overline{MCLR}$  pin.
2. Watchdog Timer Wake-up (if `WDT` was enabled).
3. Interrupt from `INT` pin, `RB` port change, or some Peripheral Interrupts.

External  $\overline{MCLR}$  Reset will cause a device `RESET`. All other events are considered a continuation of program execution and cause a "wake-up". The  $\overline{TO}$  and  $\overline{PD}$  bits in the `STATUS` register can be used to determine the cause of device `RESET`. The  $\overline{PD}$  bit, which is set on power-up, is cleared when `SLEEP` is invoked. The  $\overline{TO}$  bit is cleared if a `WDT` time-out occurred (and caused wake-up).

The following peripheral interrupts can wake the device from `SLEEP`:

1. `TMR1` interrupt. `Timer1` must be operating as an asynchronous counter.
2. `CCP` Capture mode interrupt.
3. Special event trigger (`Timer1` in Asynchronous mode using an external clock).
4. `SSP` (`START/STOP`) bit detect interrupt.
5. `SSP` transmit or receive in Slave mode (`SPI/I2C`).
6. A/D conversion (when A/D clock source is `RC`).
7. Low Voltage detect.

Other peripherals cannot generate interrupts since during `SLEEP`, no on-chip clocks are present.

When the `SLEEP` instruction is being executed, the next instruction (`PC + 1`) is pre-fetched. For the device to wake-up through an interrupt event, the corresponding interrupt enable bit must be set (enabled). Wake-up is regardless of the state of the `GIE` bit. If the `GIE` bit is

clear (disabled), the device continues execution at the instruction after the `SLEEP` instruction. If the `GIE` bit is set (enabled), the device executes the instruction after the `SLEEP` instruction and then branches to the interrupt address (`0004h`). In cases where the execution of the instruction following `SLEEP` is not desirable, the user should have a `NOP` after the `SLEEP` instruction.

### 12.13.2 WAKE-UP USING INTERRUPTS

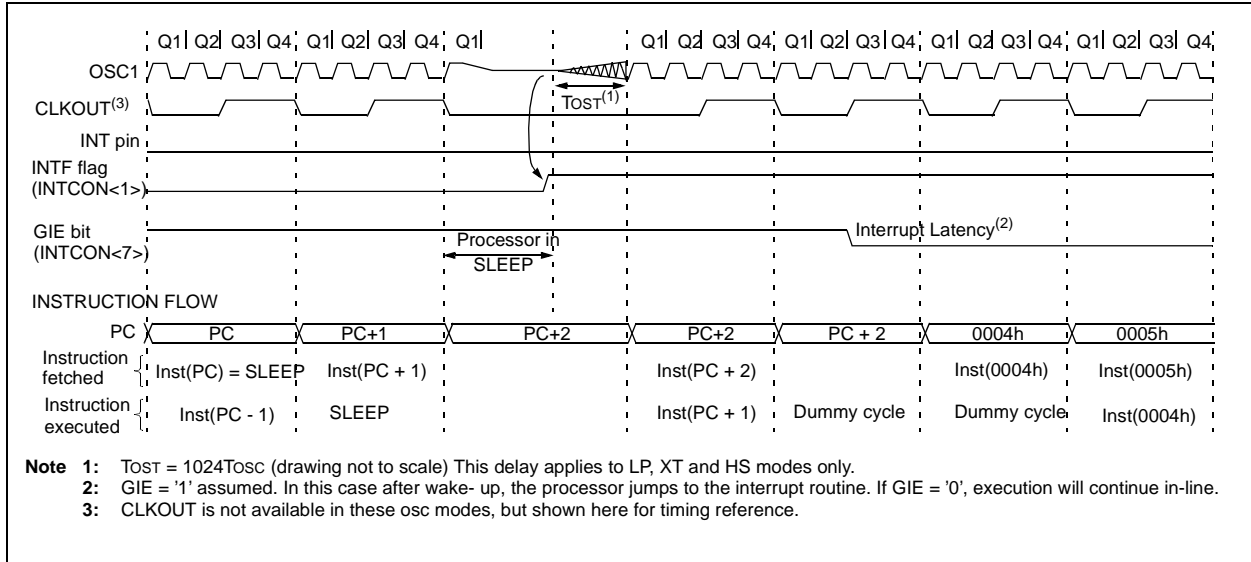
When global interrupts are disabled (`GIE` cleared) and any interrupt source has both its interrupt enable bit and interrupt flag bit set, one of the following will occur:

- If the interrupt occurs **before** the execution of a `SLEEP` instruction, the `SLEEP` instruction will complete as a `NOP`. Therefore, the `WDT` and `WDT` postscaler will not be cleared, the  $\overline{TO}$  bit will not be set and  $\overline{PD}$  bits will not be cleared.
- If the interrupt occurs **during or after** the execution of a `SLEEP` instruction, the device will immediately wake-up from `SLEEP`. The `SLEEP` instruction will be completely executed before the wake-up. Therefore, the `WDT` and `WDT` postscaler will be cleared, the  $\overline{TO}$  bit will be set and the  $\overline{PD}$  bit will be cleared.

Even if the flag bits were checked before executing a `SLEEP` instruction, it may be possible for flag bits to become set before the `SLEEP` instruction completes. To determine whether a `SLEEP` instruction executed, test the  $\overline{PD}$  bit. If the  $\overline{PD}$  bit is set, the `SLEEP` instruction was executed as a `NOP`.

If a peripheral can wake the device from `SLEEP`, then to ensure that the `WDT` is cleared, a `CLRWDT` instruction should be executed before a `SLEEP` instruction.

**FIGURE 12-12: WAKE-UP FROM SLEEP THROUGH INTERRUPT**



## 12.14 Program Verification/Code Protection

If the code protection bit(s) have not been programmed, the on-chip program memory can be read out for verification purposes.

**Note:** Microchip does not recommend code protecting windowed devices. Code protected devices are not reprogrammable.

## 12.15 ID Locations

Four memory locations (2000h - 2003h) are designated as ID locations where the user can store checksum or other code-identification numbers. These locations are not accessible during normal execution but are readable and writable during program/verify. It is recommended that only the 4 Least Significant bits of the ID location are used.

## 12.16 In-Circuit Serial Programming (ICSP™)

PIC16CXXX microcontrollers can be serially programmed while in the end application circuit. This is simply done with two lines for clock and data, and three other lines for power, ground, and the programming voltage. This allows customers to manufacture boards with unprogrammed devices, and then program the microcontroller just before shipping the product. This also allows the most recent firmware or a custom firmware to be programmed.

For complete details of serial programming, please refer to the In-Circuit Serial Programming (ICSP™) Guide, (DS30277).

# PIC16C717/770/771

---

---

NOTES:

## 13.0 INSTRUCTION SET SUMMARY

Each PIC16CXXX instruction is a 14-bit word divided into an OPCODE which specifies the instruction type and one or more operands which further specify the operation of the instruction. The PIC16CXX instruction set summary in Table 13-2 lists **byte-oriented**, **bit-oriented**, and **literal and control** operations. Table 13-1 shows the opcode field descriptions.

For **byte-oriented** instructions, 'f' represents a file register designator and 'd' represents a destination designator. The file register designator specifies which file register is to be used by the instruction.

The destination designator specifies where the result of the operation is to be placed. If 'd' is zero, the result is placed in the W register. If 'd' is one, the result is placed in the file register specified in the instruction.

For **bit-oriented** instructions, 'b' represents a bit field designator which selects the number of the bit affected by the operation, while 'f' represents the number of the file in which the bit is located.

For **literal and control** operations, 'k' represents an eight or eleven bit constant or literal value.

**TABLE 13-1: OPCODE FIELD DESCRIPTIONS**

Field	Description
f	Register file address (0x00 to 0x7F)
W	Working register (accumulator)
b	Bit address within an 8-bit file register
k	Literal field, constant data or label
x	Don't care location (= 0 or 1) The assembler will generate code with x = 0. It is the recommended form of use for compatibility with all Microchip software tools.
d	Destination select; d = 0: store result in W, d = 1: store result in file register f. Default is d = 1
PC	Program Counter
TO	Time-out bit
PD	Power-down bit

The instruction set is highly orthogonal and is grouped into three basic categories:

- **Byte-oriented** operations
- **Bit-oriented** operations
- **Literal and control** operations

All instructions are executed within one single instruction cycle, unless a conditional test is true or the program counter is changed as a result of an instruction. In this case, the execution takes two instruction cycles with the second cycle executed as a NOP. One instruction cycle consists of four oscillator periods. Thus, for an oscillator frequency of 4 MHz, the normal instruction execution time is 1 μs. If a conditional test is true or the program counter is changed as a result of an instruction, the instruction execution time is 2 μs.

Table 13-2 lists the instructions recognized by the MPASM™ assembler.

Figure 13-1 shows the general formats that the instructions can have.

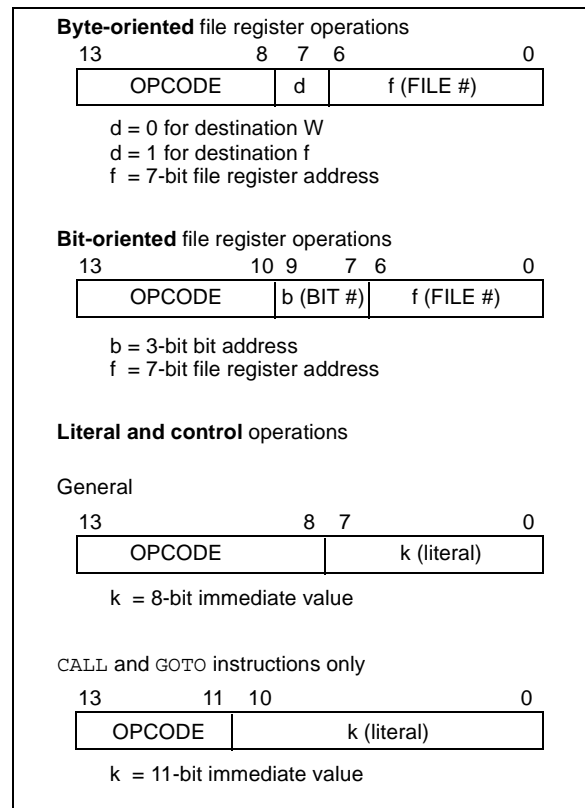
**Note:** To maintain upward compatibility with future PIC16CXXX products, do not use the OPTION and TRIS instructions.

All examples use the following format to represent a hexadecimal number:

0xhh

where h signifies a hexadecimal digit.

**FIGURE 13-1: GENERAL FORMAT FOR INSTRUCTIONS**



A description of each instruction is available in the PICmicro™ Mid-Range MCU Family Reference Manual, (DS33023).

# PIC16C717/770/771

TABLE 13-2: PIC16CXXX INSTRUCTION SET

Mnemonic, Operands	Description	Cycles	14-Bit Opcode			Status Affected	Notes		
			MSb	LSb					
<b>BYTE-ORIENTED FILE REGISTER OPERATIONS</b>									
<b>ADDWF</b>	f, d	Add W and f	1	00	0111	dfff	ffff	C,DC,Z	1,2
<b>ANDWF</b>	f, d	AND W with f	1	00	0101	dfff	ffff	Z	1,2
<b>CLRF</b>	f	Clear f	1	00	0001	1fff	ffff	Z	2
<b>CLRWF</b>	-	Clear W	1	00	0001	0000	0011	Z	
<b>COMF</b>	f, d	Complement f	1	00	1001	dfff	ffff	Z	1,2
<b>DECf</b>	f, d	Decrement f	1	00	0011	dfff	ffff	Z	1,2
<b>DECFSZ</b>	f, d	Decrement f, Skip if 0	1(2)	00	1011	dfff	ffff		1,2,3
<b>INCF</b>	f, d	Increment f	1	00	1010	dfff	ffff	Z	1,2
<b>INCFSZ</b>	f, d	Increment f, Skip if 0	1(2)	00	1111	dfff	ffff		1,2,3
<b>IORWF</b>	f, d	Inclusive OR W with f	1	00	0100	dfff	ffff	Z	1,2
<b>MOVF</b>	f, d	Move f	1	00	1000	dfff	ffff	Z	1,2
<b>MOVWF</b>	f	Move W to f	1	00	0000	1fff	ffff		
<b>NOP</b>	-	No Operation	1	00	0000	0xx0	0000		
<b>RLF</b>	f, d	Rotate Left f through Carry	1	00	1101	dfff	ffff	C	1,2
<b>RRF</b>	f, d	Rotate Right f through Carry	1	00	1100	dfff	ffff	C	1,2
<b>SUBWF</b>	f, d	Subtract W from f	1	00	0010	dfff	ffff	C,DC,Z	1,2
<b>SWAPF</b>	f, d	Swap nybbles in f	1	00	1110	dfff	ffff		1,2
<b>XORWF</b>	f, d	Exclusive OR W with f	1	00	0110	dfff	ffff	Z	1,2
<b>BIT-ORIENTED FILE REGISTER OPERATIONS</b>									
<b>BCF</b>	f, b	Bit Clear f	1	01	00bb	bfff	ffff		1,2
<b>BSF</b>	f, b	Bit Set f	1	01	01bb	bfff	ffff		1,2
<b>BTFSC</b>	f, b	Bit Test f, Skip if Clear	1 (2)	01	10bb	bfff	ffff		3
<b>BTFSS</b>	f, b	Bit Test f, Skip if Set	1 (2)	01	11bb	bfff	ffff		3
<b>LITERAL AND CONTROL OPERATIONS</b>									
<b>ADDLW</b>	k	Add literal and W	1	11	111x	kkkk	kkkk	C,DC,Z	
<b>ANDLW</b>	k	AND literal with W	1	11	1001	kkkk	kkkk	Z	
<b>CALL</b>	k	Call subroutine	2	10	0kkk	kkkk	kkkk		
<b>CLRWDT</b>	-	Clear Watchdog Timer	1	00	0000	0110	0100	$\overline{TO}, \overline{PD}$	
<b>GOTO</b>	k	Go to address	2	10	1kkk	kkkk	kkkk		
<b>IORLW</b>	k	Inclusive OR literal with W	1	11	1000	kkkk	kkkk	Z	
<b>MOVLW</b>	k	Move literal to W	1	11	00xx	kkkk	kkkk		
<b>RETFIE</b>	-	Return from interrupt	2	00	0000	0000	1001		
<b>RETLW</b>	k	Return with literal in W	2	11	01xx	kkkk	kkkk		
<b>RETURN</b>	-	Return from Subroutine	2	00	0000	0000	1000		
<b>SLEEP</b>	-	Go into Standby mode	1	00	0000	0110	0011	$\overline{TO}, \overline{PD}$	
<b>SUBLW</b>	k	Subtract W from literal	1	11	110x	kkkk	kkkk	C,DC,Z	
<b>XORLW</b>	k	Exclusive OR literal with W	1	11	1010	kkkk	kkkk	Z	

- Note 1:** When an I/O register is modified as a function of itself ( e.g., `MOVF PORTB, 1`), the value used will be that value present on the pins themselves. For example, if the data latch is '1' for a pin configured as input and is driven low by an external device, the data will be written back with a '0'.
- 2:** If this instruction is executed on the TMR0 register (and, where applicable, d = 1), the prescaler will be cleared if assigned to the Timer0 Module.
- 3:** If Program Counter (PC) is modified or a conditional test is true, the instruction requires two cycles. The second cycle is executed as a `NOP`.



## 13.1 Instruction Descriptions

### **ADDLW**      **Add Literal and W**

Syntax:            *[label]* ADDLW    *k*  
 Operands:         $0 \leq k \leq 255$   
 Operation:         $(W) + k \rightarrow (W)$   
 Status Affected: C, DC, Z  
 Description:      The contents of the W register are added to the eight bit literal 'k' and the result is placed in the W register.

### **ANDWF**        **AND W with f**

Syntax:            *[label]* ANDWF    *f,d*  
 Operands:         $0 \leq f \leq 127$   
                        $d \in [0,1]$   
 Operation:         $(W) .AND. (f) \rightarrow (\text{destination})$   
 Status Affected: Z  
 Description:      AND the W register with register 'f'. If 'd' is 0, the result is stored in the W register. If 'd' is 1, the result is stored back in register 'f'.

### **ADDWF**        **Add W and f**

Syntax:            *[label]* ADDWF    *f,d*  
 Operands:         $0 \leq f \leq 127$   
                        $d \in [0,1]$   
 Operation:         $(W) + (f) \rightarrow (\text{destination})$   
 Status Affected: C, DC, Z  
 Description:      Add the contents of the W register with register 'f'. If 'd' is 0, the result is stored in the W register. If 'd' is 1, the result is stored back in register 'f'.

### **BCF**            **Bit Clear f**

Syntax:            *[label]* BCF        *f,b*  
 Operands:         $0 \leq f \leq 127$   
                        $0 \leq b \leq 7$   
 Operation:         $0 \rightarrow (f<b>)$   
 Status Affected: None  
 Description:      Bit 'b' in register 'f' is cleared.

### **ANDLW**        **AND Literal with W**

Syntax:            *[label]* ANDLW    *k*  
 Operands:         $0 \leq k \leq 255$   
 Operation:         $(W) .AND. (k) \rightarrow (W)$   
 Status Affected: Z  
 Description:      The contents of W register are AND'ed with the eight bit literal 'k'. The result is placed in the W register.

### **BSF**            **Bit Set f**

Syntax:            *[label]* BSF        *f,b*  
 Operands:         $0 \leq f \leq 127$   
                        $0 \leq b \leq 7$   
 Operation:         $1 \rightarrow (f<b>)$   
 Status Affected: None  
 Description:      Bit 'b' in register 'f' is set.

# PIC16C717/770/771

---

---

<b>BTFS</b>	<b>Bit Test f, Skip if Set</b>
Syntax:	<code>[label] BTFS f,b</code>
Operands:	$0 \leq f \leq 127$ $0 \leq b < 7$
Operation:	skip if (f<b>) = 1
Status Affected:	None
Description:	If bit 'b' in register 'f' is '0', the next instruction is executed. If bit 'b' is '1', then the next instruction is discarded and a NOP is executed instead making this a 2TCY instruction.

<b>CLRF</b>	<b>Clear f</b>
Syntax:	<code>[label] CLRF f</code>
Operands:	$0 \leq f \leq 127$
Operation:	00h → (f) 1 → Z
Status Affected:	Z
Description:	The contents of register 'f' are cleared and the Z bit is set.

<b>BTFS</b>	<b>Bit Test, Skip if Clear</b>
Syntax:	<code>[label] BTFS f,b</code>
Operands:	$0 \leq f \leq 127$ $0 \leq b \leq 7$
Operation:	skip if (f<b>) = 0
Status Affected:	None
Description:	If bit 'b' in register 'f' is '1', the next instruction is executed. If bit 'b', in register 'f', is '0', the next instruction is discarded, and a NOP is executed instead, making this a 2TCY instruction.

<b>CLRW</b>	<b>Clear W</b>
Syntax:	<code>[label] CLRW</code>
Operands:	None
Operation:	00h → (W) 1 → Z
Status Affected:	Z
Description:	W register is cleared. Zero bit (Z) is set.

<b>CALL</b>	<b>Call Subroutine</b>
Syntax:	<code>[label] CALL k</code>
Operands:	$0 \leq k \leq 2047$
Operation:	(PC)+1 → TOS, k → PC<10:0>, (PCLATH<4:3>) → PC<12:11>
Status Affected:	None
Description:	Call Subroutine. First, return address (PC+1) is pushed onto the stack. The eleven bit immediate address is loaded into PC bits <10:0>. The upper bits of the PC are loaded from PCLATH. CALL is a two cycle instruction.

<b>CLRWD</b>	<b>Clear Watchdog Timer</b>
Syntax:	<code>[label] CLRWD</code>
Operands:	None
Operation:	00h → WDT 0 → WDT prescaler, 1 → $\overline{TO}$ 1 → $\overline{PD}$
Status Affected:	$\overline{TO}$ , $\overline{PD}$
Description:	CLRWD instruction resets the Watchdog Timer. It also resets the prescaler of the WDT. Status bits $\overline{TO}$ and $\overline{PD}$ are set.

<b>COMF</b>	<b>Complement f</b>
Syntax:	[ <i>label</i> ] COMF f,d
Operands:	$0 \leq f \leq 127$ $d \in [0,1]$
Operation:	$(\bar{f}) \rightarrow (\text{destination})$
Status Affected:	Z
Description:	The contents of register 'f' are complemented. If 'd' is 0, the result is stored in W. If 'd' is 1, the result is stored back in register 'f'.

<b>GOTO</b>	<b>Unconditional Branch</b>
Syntax:	[ <i>label</i> ] GOTO k
Operands:	$0 \leq k \leq 2047$
Operation:	$k \rightarrow PC<10:0>$ $PCLATH<4:3> \rightarrow PC<12:11>$
Status Affected:	None
Description:	GOTO is an unconditional branch. The eleven bit immediate value is loaded into PC bits <10:0>. The upper bits of PC are loaded from PCLATH<4:3>. GOTO is a two cycle instruction.

<b>DECF</b>	<b>Decrement f</b>
Syntax:	[ <i>label</i> ] DECF f,d
Operands:	$0 \leq f \leq 127$ $d \in [0,1]$
Operation:	$(f) - 1 \rightarrow (\text{destination})$
Status Affected:	Z
Description:	Decrement register 'f'. If 'd' is 0, the result is stored in the W register. If 'd' is 1, the result is stored back in register 'f'.

<b>INCF</b>	<b>Increment f</b>
Syntax:	[ <i>label</i> ] INCF f,d
Operands:	$0 \leq f \leq 127$ $d \in [0,1]$
Operation:	$(f) + 1 \rightarrow (\text{destination})$
Status Affected:	Z
Description:	The contents of register 'f' are incremented. If 'd' is 0, the result is placed in the W register. If 'd' is 1, the result is placed back in register 'f'.

<b>DECFSZ</b>	<b>Decrement f, Skip if 0</b>
Syntax:	[ <i>label</i> ] DECFSZ f,d
Operands:	$0 \leq f \leq 127$ $d \in [0,1]$
Operation:	$(f) - 1 \rightarrow (\text{destination});$ skip if result = 0
Status Affected:	None
Description:	The contents of register 'f' are decremented. If 'd' is 0, the result is placed in the W register. If 'd' is 1, the result is placed back in register 'f'. If the result is 1, the next instruction is executed. If the result is 0, then a NOP is executed instead making it a 2TCY instruction.

<b>INCFSZ</b>	<b>Increment f, Skip if 0</b>
Syntax:	[ <i>label</i> ] INCFSZ f,d
Operands:	$0 \leq f \leq 127$ $d \in [0,1]$
Operation:	$(f) + 1 \rightarrow (\text{destination}),$ skip if result = 0
Status Affected:	None
Description:	The contents of register 'f' are incremented. If 'd' is 0, the result is placed in the W register. If 'd' is 1, the result is placed back in register 'f'. If the result is 1, the next instruction is executed. If the result is 0, a NOP is executed instead making it a 2TCY instruction.

# PIC16C717/770/771

---

---

**IORLW**            **Inclusive OR Literal with W**

---

Syntax:            [ *label* ] IORLW k  
Operands:         $0 \leq k \leq 255$   
Operation:        (W) .OR. k  $\rightarrow$  (W)  
Status Affected: Z  
Description:      The contents of the W register are OR'ed with the eight bit literal 'k'. The result is placed in the W register.

**MOVLW**           **Move Literal to W**

---

Syntax:            [ *label* ] MOVLW k  
Operands:         $0 \leq k \leq 255$   
Operation:        k  $\rightarrow$  (W)  
Status Affected: None  
Description:      The eight bit literal 'k' is loaded into W register. The don't cares will assemble as 0's.

**IORWF**            **Inclusive OR W with f**

---

Syntax:            [ *label* ] IORWF f,d  
Operands:         $0 \leq f \leq 127$   
                      d  $\in$  [0,1]  
Operation:        (W) .OR. (f)  $\rightarrow$  (destination)  
Status Affected: Z  
Description:      Inclusive OR the W register with register 'f'. If 'd' is 0 the result is placed in the W register. If 'd' is 1 the result is placed back in register 'f'.

**MOVWF**           **Move W to f**

---

Syntax:            [ *label* ] MOVWF f  
Operands:         $0 \leq f \leq 127$   
Operation:        (W)  $\rightarrow$  (f)  
Status Affected: None  
Description:      Move data from W register to register 'f'.

**MOVF**            **Move f**

---

Syntax:            [ *label* ] MOVF f,d  
Operands:         $0 \leq f \leq 127$   
                      d  $\in$  [0,1]  
Operation:        (f)  $\rightarrow$  (destination)  
Status Affected: Z  
Description:      The contents of register f are moved to a destination dependant upon the status of d. If d = 0, destination is W register. If d = 1, the destination is file register f itself. d = 1 is useful to test a file register since status flag Z is affected.

**NOP**              **No Operation**

---

Syntax:            [ *label* ] NOP  
Operands:        None  
Operation:        No operation  
Status Affected: None  
Description:      No operation.

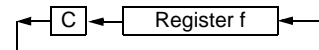
# PIC16C717/770/771

## **RETFIE**      **Return from Interrupt**

Syntax:      [ *label* ] RETFIE  
Operands:    None  
Operation:    TOS → PC,  
              1 → GIE  
Status Affected: None

## **RLF**      **Rotate Left f through Carry**

Syntax:      [ *label* ] RLF f,d  
Operands:     $0 \leq f \leq 127$   
               $d \in [0,1]$   
Operation:    See description below  
Status Affected: C  
Description:    The contents of register 'f' are rotated one bit to the left through the Carry Flag. If 'd' is 0, the result is placed in the W register. If 'd' is 1, the result is stored back in register 'f'.

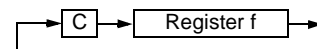


## **RETLW**      **Return with Literal in W**

Syntax:      [ *label* ] RETLW k  
Operands:     $0 \leq k \leq 255$   
Operation:     $k \rightarrow (W)$ ;  
              TOS → PC  
Status Affected: None  
Description:    The W register is loaded with the eight bit literal 'k'. The program counter is loaded from the top of the stack (the return address). This is a two cycle instruction.

## **RRF**      **Rotate Right f through Carry**

Syntax:      [ *label* ] RRF f,d  
Operands:     $0 \leq f \leq 127$   
               $d \in [0,1]$   
Operation:    See description below  
Status Affected: C  
Description:    The contents of register 'f' are rotated one bit to the right through the Carry Flag. If 'd' is 0, the result is placed in the W register. If 'd' is 1, the result is placed back in register 'f'.



## **RETURN**      **Return from Subroutine**

Syntax:      [ *label* ] RETURN  
Operands:    None  
Operation:    TOS → PC  
Status Affected: None  
Description:    Return from subroutine. The stack is POPed and the top of the stack (TOS) is loaded into the program counter. This is a two cycle instruction.

## **SLEEP**

Syntax:      [ *label* ] SLEEP ]  
Operands:    None  
Operation:    00h → WDT,  
              0 → WDT prescaler,  
              1 →  $\overline{TO}$ ,  
              0 →  $\overline{PD}$   
Status Affected:  $\overline{TO}$ ,  $\overline{PD}$   
Description:    The power-down status bit,  $\overline{PD}$  is cleared. Time-out status bit,  $\overline{TO}$  is set. Watchdog Timer and its prescaler are cleared. The processor is put into SLEEP mode with the oscillator stopped. See Section 12.8 for more details.

# PIC16C717/770/771

---

---

**SUBLW**      **Subtract W from Literal**

---

Syntax:      *[label]* SUBLW *k*

Operands:     $0 \leq k \leq 255$

Operation:     $k - (W) \rightarrow (W)$

Status Affected: C, DC, Z

Description:    The W register is subtracted (2's complement method) from the eight bit literal 'k'. The result is placed in the W register.

**XORLW**      **Exclusive OR Literal with W**

---

Syntax:      *[label]* XORLW *k*

Operands:     $0 \leq k \leq 255$

Operation:     $(W) .XOR. k \rightarrow (W)$

Status Affected: Z

Description:    The contents of the W register are XOR'ed with the eight bit literal 'k'. The result is placed in the W register.

**SUBWF**      **Subtract W from f**

---

Syntax:      *[label]* SUBWF *f,d*

Operands:     $0 \leq f \leq 127$   
 $d \in [0,1]$

Operation:     $(f) - (W) \rightarrow (\text{destination})$

Status Affected: C, DC, Z

Description:    Subtract (2's complement method) W register from register 'f'. If 'd' is 0, the result is stored in the W register. If 'd' is 1, the result is stored back in register 'f'.

**XORWF**      **Exclusive OR W with f**

---

Syntax:      *[label]* XORWF *f,d*

Operands:     $0 \leq f \leq 127$   
 $d \in [0,1]$

Operation:     $(W) .XOR. (f) \rightarrow (\text{destination})$

Status Affected: Z

Description:    Exclusive OR the contents of the W register with register 'f'. If 'd' is 0, the result is stored in the W register. If 'd' is 1, the result is stored back in register 'f'.

**SWAPF**      **Swap Nybbles in f**

---

Syntax:      *[label]* SWAPF *f,d*

Operands:     $0 \leq f \leq 127$   
 $d \in [0,1]$

Operation:     $(f<3:0>) \rightarrow (\text{destination}<7:4>),$   
 $(f<7:4>) \rightarrow (\text{destination}<3:0>)$

Status Affected: None

Description:    The upper and lower nybbles of register 'f' are exchanged. If 'd' is 0, the result is placed in W register. If 'd' is 1, the result is placed in register 'f'.

## 14.0 DEVELOPMENT SUPPORT

The PICmicro® microcontrollers are supported with a full range of hardware and software development tools:

- Integrated Development Environment
  - MPLAB® IDE Software
- Assemblers/Compilers/Linkers
  - MPASM™ Assembler
  - MPLAB C17 and MPLAB C18 C Compilers
  - MPLINK™ Object Linker/  
MPLIB™ Object Librarian
- Simulators
  - MPLAB SIM Software Simulator
- Emulators
  - MPLAB ICE 2000 In-Circuit Emulator
  - ICEPIC™ In-Circuit Emulator
- In-Circuit Debugger
  - MPLAB ICD
- Device Programmers
  - PRO MATE® II Universal Device Programmer
  - PICSTART® Plus Entry-Level Development Programmer
- Low Cost Demonstration Boards
  - PICDEM™ 1 Demonstration Board
  - PICDEM 2 Demonstration Board
  - PICDEM3 Demonstration Board
  - PICDEM 17 Demonstration Board
  - KEELOQ® Demonstration Board

### 14.1 MPLAB Integrated Development Environment Software

The MPLAB IDE software brings an ease of software development previously unseen in the 8-bit microcontroller market. The MPLAB IDE is a Windows®-based application that contains:

- An interface to debugging tools
  - simulator
  - programmer (sold separately)
  - emulator (sold separately)
  - in-circuit debugger (sold separately)
- A full-featured editor
- A project manager
- Customizable toolbar and key mapping
- A status bar
- On-line help

The MPLAB IDE allows you to:

- Edit your source files (either assembly or 'C')
- One touch assemble (or compile) and download to PICmicro emulator and simulator tools (automatically updates all project information)
- Debug using:
  - source files
  - absolute listing file
  - machine code

The ability to use MPLAB IDE with multiple debugging tools allows users to easily switch from the cost-effective simulator to a full-featured emulator with minimal retraining.

### 14.2 MPASM Assembler

The MPASM assembler is a full-featured universal macro assembler for all PICmicro MCU's.

The MPASM assembler has a command line interface and a Windows shell. It can be used as a stand-alone application on a Windows 3.x or greater system, or it can be used through MPLAB IDE. The MPASM assembler generates relocatable object files for the MPLINK object linker, Intel® standard HEX files, MAP files to detail memory usage and symbol reference, an absolute LST file that contains source lines and generated machine code, and a COD file for debugging.

The MPASM assembler features include:

- Integration into MPLAB IDE projects.
- User-defined macros to streamline assembly code.
- Conditional assembly for multi-purpose source files.
- Directives that allow complete control over the assembly process.

### 14.3 MPLAB C17 and MPLAB C18 C Compilers

The MPLAB C17 and MPLAB C18 Code Development Systems are complete ANSI 'C' compilers for Microchip's PIC17CXXX and PIC18CXXX family of microcontrollers, respectively. These compilers provide powerful integration capabilities and ease of use not found with other compilers.

For easier source level debugging, the compilers provide symbol information that is compatible with the MPLAB IDE memory display.

## 14.4 MPLINK Object Linker/ MPLIB Object Librarian

The MPLINK object linker combines relocatable objects created by the MPASM assembler and the MPLAB C17 and MPLAB C18 C compilers. It can also link relocatable objects from pre-compiled libraries, using directives from a linker script.

The MPLIB object librarian is a librarian for pre-compiled code to be used with the MPLINK object linker. When a routine from a library is called from another source file, only the modules that contain that routine will be linked in with the application. This allows large libraries to be used efficiently in many different applications. The MPLIB object librarian manages the creation and modification of library files.

The MPLINK object linker features include:

- Integration with MPASM assembler and MPLAB C17 and MPLAB C18 C compilers.
- Allows all memory areas to be defined as sections to provide link-time flexibility.

The MPLIB object librarian features include:

- Easier linking because single libraries can be included instead of many smaller files.
- Helps keep code maintainable by grouping related modules together.
- Allows libraries to be created and modules to be added, listed, replaced, deleted or extracted.

## 14.5 MPLAB SIM Software Simulator

The MPLAB SIM software simulator allows code development in a PC-hosted environment by simulating the PICmicro series microcontrollers on an instruction level. On any given instruction, the data areas can be examined or modified and stimuli can be applied from a file, or user-defined key press, to any of the pins. The execution can be performed in single step, execute until break, or Trace mode.

The MPLAB SIM simulator fully supports symbolic debugging using the MPLAB C17 and the MPLAB C18 C compilers and the MPASM assembler. The software simulator offers the flexibility to develop and debug code outside of the laboratory environment, making it an excellent multi-project software development tool.

## 14.6 MPLAB ICE High Performance Universal In-Circuit Emulator with MPLAB IDE

The MPLAB ICE universal in-circuit emulator is intended to provide the product development engineer with a complete microcontroller design tool set for PICmicro microcontrollers (MCUs). Software control of the MPLAB ICE in-circuit emulator is provided by the MPLAB Integrated Development Environment (IDE), which allows editing, building, downloading and source debugging from a single environment.

The MPLAB ICE 2000 is a full-featured emulator system with enhanced trace, trigger and data monitoring features. Interchangeable processor modules allow the system to be easily reconfigured for emulation of different processors. The universal architecture of the MPLAB ICE in-circuit emulator allows expansion to support new PICmicro microcontrollers.

The MPLAB ICE in-circuit emulator system has been designed as a real-time emulation system, with advanced features that are generally found on more expensive development tools. The PC platform and Microsoft® Windows environment were chosen to best make these features available to you, the end user.

## 14.7 ICEPIC In-Circuit Emulator

The ICEPIC low cost, in-circuit emulator is a solution for the Microchip Technology PIC16C5X, PIC16C6X, PIC16C7X and PIC16CXXX families of 8-bit One-Time-Programmable (OTP) microcontrollers. The modular system can support different subsets of PIC16C5X or PIC16CXXX products through the use of interchangeable personality modules, or daughter boards. The emulator is capable of emulating without target application circuitry being present.



## 14.8 MPLAB ICD In-Circuit Debugger

Microchip's In-Circuit Debugger, MPLAB ICD, is a powerful, low cost, run-time development tool. This tool is based on the FLASH PICmicro MCUs and can be used to develop for this and other PICmicro microcontrollers. The MPLAB ICD utilizes the in-circuit debugging capability built into the FLASH devices. This feature, along with Microchip's In-Circuit Serial Programming™ protocol, offers cost-effective in-circuit FLASH debugging from the graphical user interface of the MPLAB Integrated Development Environment. This enables a designer to develop and debug source code by watching variables, single-stepping and setting break points. Running at full speed enables testing hardware in real-time.

## 14.9 PRO MATE II Universal Device Programmer

The PRO MATE II universal device programmer is a full-featured programmer, capable of operating in Stand-alone mode, as well as PC-hosted mode. The PRO MATE II device programmer is CE compliant.

The PRO MATE II device programmer has programmable VDD and VPP supplies, which allow it to verify programmed memory at VDD min and VDD max for maximum reliability. It has an LCD display for instructions and error messages, keys to enter commands and a modular detachable socket assembly to support various package types. In Stand-alone mode, the PRO MATE II device programmer can read, verify, or program PICmicro devices. It can also set code protection in this mode.

## 14.10 PICSTART Plus Entry Level Development Programmer

The PICSTART Plus development programmer is an easy-to-use, low cost, prototype programmer. It connects to the PC via a COM (RS-232) port. MPLAB Integrated Development Environment software makes using the programmer simple and efficient.

The PICSTART Plus development programmer supports all PICmicro devices with up to 40 pins. Larger pin count devices, such as the PIC16C92X and PIC17C76X, may be supported with an adapter socket. The PICSTART Plus development programmer is CE compliant.

## 14.11 PICDEM 1 Low Cost PICmicro Demonstration Board

The PICDEM 1 demonstration board is a simple board which demonstrates the capabilities of several of Microchip's microcontrollers. The microcontrollers supported are: PIC16C5X (PIC16C54 to PIC16C58A), PIC16C61, PIC16C62X, PIC16C71, PIC16C8X, PIC17C42, PIC17C43 and PIC17C44. All necessary hardware and software is included to run basic demo programs. The user can program the sample microcontrollers provided with the PICDEM 1 demonstration board on a PRO MATE II device programmer, or a PICSTART Plus development programmer, and easily test firmware. The user can also connect the PICDEM 1 demonstration board to the MPLAB ICE in-circuit emulator and download the firmware to the emulator for testing. A prototype area is available for the user to build some additional hardware and connect it to the microcontroller socket(s). Some of the features include an RS-232 interface, a potentiometer for simulated analog input, push button switches and eight LEDs connected to PORTB.

## 14.12 PICDEM 2 Low Cost PIC16CXX Demonstration Board

The PICDEM 2 demonstration board is a simple demonstration board that supports the PIC16C62, PIC16C64, PIC16C65, PIC16C73 and PIC16C74 microcontrollers. All the necessary hardware and software is included to run the basic demonstration programs. The user can program the sample microcontrollers provided with the PICDEM 2 demonstration board on a PRO MATE II device programmer, or a PICSTART Plus development programmer, and easily test firmware. The MPLAB ICE in-circuit emulator may also be used with the PICDEM 2 demonstration board to test firmware. A prototype area has been provided to the user for adding additional hardware and connecting it to the microcontroller socket(s). Some of the features include a RS-232 interface, push button switches, a potentiometer for simulated analog input, a serial EEPROM to demonstrate usage of the I<sup>2</sup>C™ bus and separate headers for connection to an LCD module and a keypad.

## 14.13 PICDEM 3 Low Cost PIC16CXXX Demonstration Board

The PICDEM 3 demonstration board is a simple demonstration board that supports the PIC16C923 and PIC16C924 in the PLCC package. It will also support future 44-pin PLCC microcontrollers with an LCD Module. All the necessary hardware and software is included to run the basic demonstration programs. The user can program the sample microcontrollers provided with the PICDEM 3 demonstration board on a PRO MATE II device programmer, or a PICSTART Plus development programmer with an adapter socket, and easily test firmware. The MPLAB ICE in-circuit emulator may also be used with the PICDEM 3 demonstration board to test firmware. A prototype area has been provided to the user for adding hardware and connecting it to the microcontroller socket(s). Some of the features include a RS-232 interface, push button switches, a potentiometer for simulated analog input, a thermistor and separate headers for connection to an external LCD module and a keypad. Also provided on the PICDEM 3 demonstration board is a LCD panel, with 4 commons and 12 segments, that is capable of displaying time, temperature and day of the week. The PICDEM 3 demonstration board provides an additional RS-232 interface and Windows software for showing the demultiplexed LCD signals on a PC. A simple serial interface allows the user to construct a hardware demultiplexer for the LCD signals.

## 14.14 PICDEM 17 Demonstration Board

The PICDEM 17 demonstration board is an evaluation board that demonstrates the capabilities of several Microchip microcontrollers, including PIC17C752, PIC17C756A, PIC17C762 and PIC17C766. All necessary hardware is included to run basic demo programs, which are supplied on a 3.5-inch disk. A programmed sample is included and the user may erase it and program it with the other sample programs using the PRO MATE II device programmer, or the PICSTART Plus development programmer, and easily debug and test the sample code. In addition, the PICDEM 17 demonstration board supports downloading of programs to and executing out of external FLASH memory on board. The PICDEM 17 demonstration board is also usable with the MPLAB ICE in-circuit emulator, or the PICMASTER emulator and all of the sample programs can be run and modified using either emulator. Additionally, a generous prototype area is available for user hardware.

## 14.15 KEELOQ Evaluation and Programming Tools

KEELOQ evaluation and programming tools support Microchip's HCS Secure Data Products. The HCS evaluation kit includes a LCD display to show changing codes, a decoder to decode transmissions and a programming interface to program test transmitters.

TABLE 14-1: DEVELOPMENT TOOLS FROM MICROCHIP

Tools	PIC12CXXXX	PIC14000	PIC16C5X	PIC16C6X	PIC16CXXXX	PIC16F62X	PIC16C7X	PIC16C7XX	PIC16C8X	PIC16F8XX	PIC16C9XX	PIC17C4X	PIC17C7XX	PIC18CXX2	PIC18FXXX	24CXX/ 25CXX/ 93CXX	HCSXX	MCRFXXX	MCP2510
MPLAB® Integrated Development Environment	✓	✓	✓	✓	✓	✓	✓	✓	✓	✓	✓	✓	✓	✓	✓	✓	✓	✓	✓
MPLAB® C17 C Compiler												✓							
MPLAB® C18 C Compiler														✓					
MPASM™ Assembler/ MPLINK™ Object Linker	✓	✓	✓	✓	✓	✓	✓	✓	✓	✓	✓	✓	✓	✓	✓	✓	✓	✓	✓
MPLAB® ICE In-Circuit Emulator	✓	✓	✓	✓	✓	✓	✓	✓	✓	✓	✓	✓	✓	✓	✓	✓	✓	✓	✓
ICEPIC™ In-Circuit Emulator	✓		✓	✓	✓		✓	✓	✓	✓	✓								
MPLAB® ICD In-Circuit Debugger			✓	✓			✓			✓					✓				
PICSTART® Plus Entry Level Development Programmer	✓	✓	✓	✓	✓	✓	✓	✓	✓	✓	✓	✓	✓	✓	✓	✓	✓	✓	✓
PRO MATE® II Universal Device Programmer	✓	✓	✓	✓	✓	✓	✓	✓	✓	✓	✓	✓	✓	✓	✓	✓	✓	✓	✓
PICDEM™ 1 Demonstration Board			✓		✓		†		✓										
PICDEM™ 2 Demonstration Board				†			†							✓					
PICDEM™ 3 Demonstration Board											✓								
PICDEM™ 14A Demonstration Board		✓																	
PICDEM™ 17 Demonstration Board												✓							
KEELOQ® Evaluation Kit																	✓		
KEELOQ® Transponder Kit																	✓		
microID™ Programmer's Kit																		✓	
125 kHz microID™ Developer's Kit																		✓	
125 kHz Anticollision microID™ Developer's Kit																		✓	
13.56 MHz Anticollision microID™ Developer's Kit																		✓	
MCP2510 CAN Developer's Kit																		✓	✓

\* Contact the Microchip Technology Inc. web site at [www.microchip.com](http://www.microchip.com) for information on how to use the MPLAB® ICD In-Circuit Debugger (DV164001) with PIC16C62, 63, 64, 65, 72, 73, 74, 76, 77.

\*\* Contact Microchip Technology Inc. for availability date.

† Development tool is available on select devices.

# PIC16C717/770/771

---

---

NOTES:

## 15.0 ELECTRICAL CHARACTERISTICS

### Absolute Maximum Ratings †

Ambient temperature under bias .....	-55 to +125°C
Storage temperature .....	-65°C to +150°C
Voltage on any pin with respect to VSS (except VDD, $\overline{\text{MCLR}}$ and RA4) .....	-0.3V to (VDD + 0.3V)
Voltage on VDD with respect to VSS .....	-0.3 to +7.5V
Maximum voltage between AVDD and VDD pins.....	± 0.3V
Maximum voltage between AVSS and VSS pins .....	± 0.3V
Voltage on $\overline{\text{MCLR}}$ with respect to VSS.....	-0.3V to +8.5V
Voltage on RA4 with respect to Vss.....	-0.3V to +10.5V
Total power dissipation ( <b>Note 1</b> ) .....	1.0W
Maximum current out of VSS pin .....	300 mA
Maximum current into VDD pin .....	250 mA
Input clamp current, I <sub>IK</sub> (V <sub>I</sub> < 0 or V <sub>I</sub> > VDD).....	± 20 mA
Output clamp current, I <sub>OK</sub> (V <sub>O</sub> < 0 or V <sub>O</sub> > VDD) .....	± 20 mA
Maximum output current sunk by any I/O pin.....	25 mA
Maximum output current sourced by any I/O pin .....	25 mA
Maximum current sunk by PORTA and PORTB (combined).....	200 mA
Maximum current sourced by PORTA and PORTB (combined) .....	200 mA

**Note 1:** Power dissipation is calculated as follows:  $P_{dis} = V_{DD} \times \{I_{DD} - \sum I_{OH}\} + \sum \{(V_{DD} - V_{OH}) \times I_{OH}\} + \sum (V_{OL} \times I_{OL})$ .

† NOTICE: Stresses above those listed under “Absolute Maximum Ratings” may cause permanent damage to the device. This is a stress rating only and functional operation of the device at those or any other conditions above those indicated in the operation listings of this specification is not implied. Exposure to maximum rating conditions for extended periods may affect device reliability.

# PIC16C717/770/771

FIGURE 15-1: PIC16C717/770/771 VOLTAGE-FREQUENCY GRAPH,  $-40^{\circ}\text{C} \leq T_A \leq +85^{\circ}\text{C}$

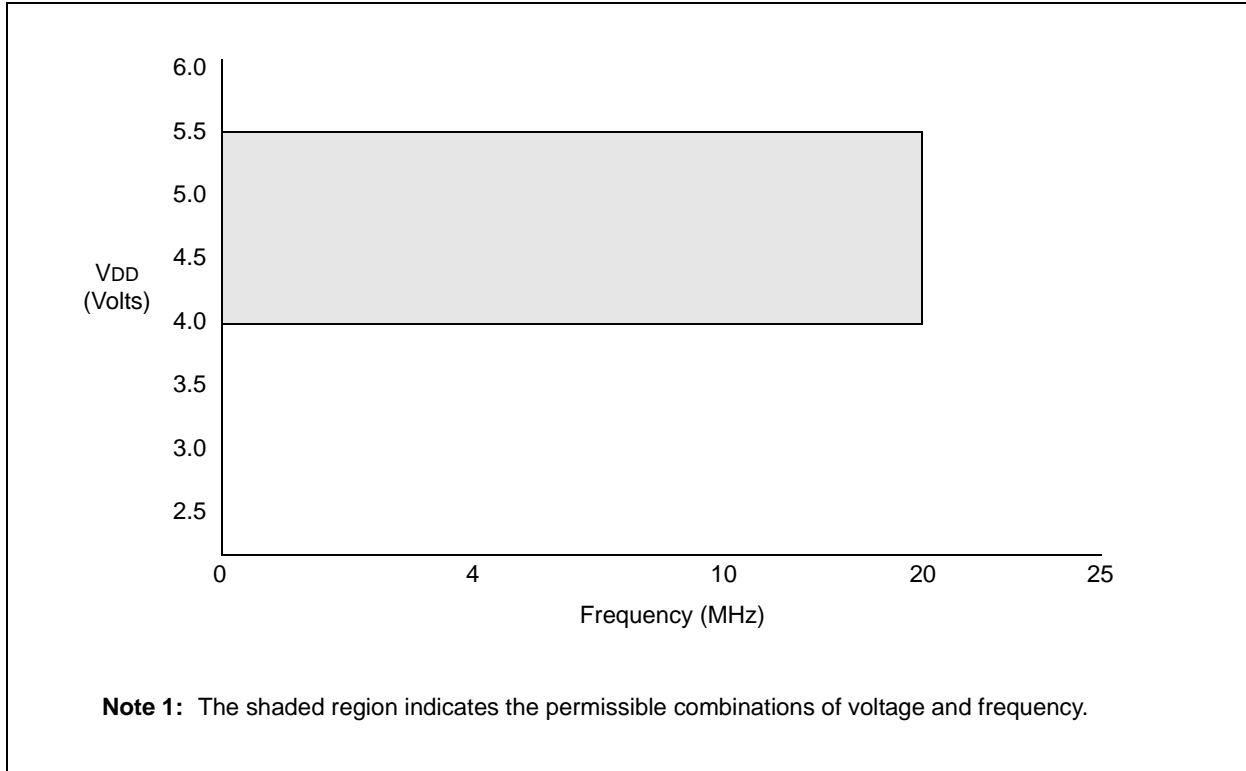
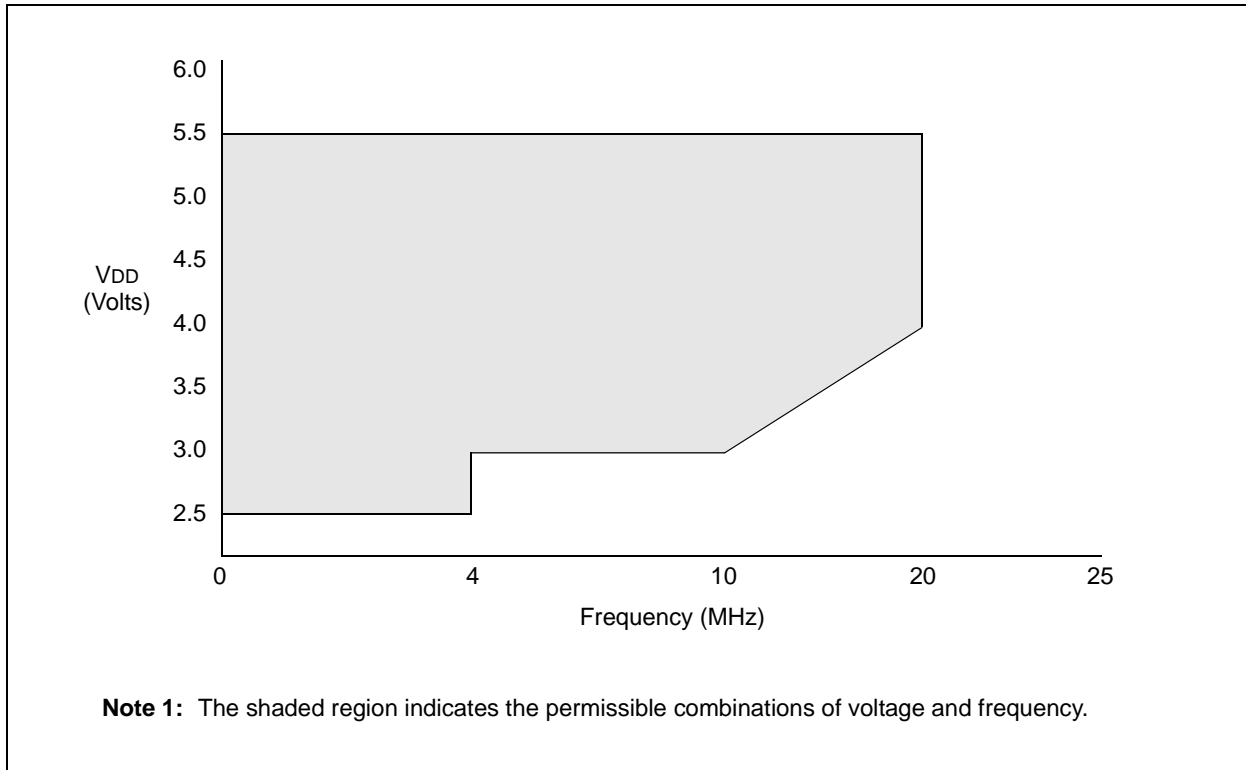
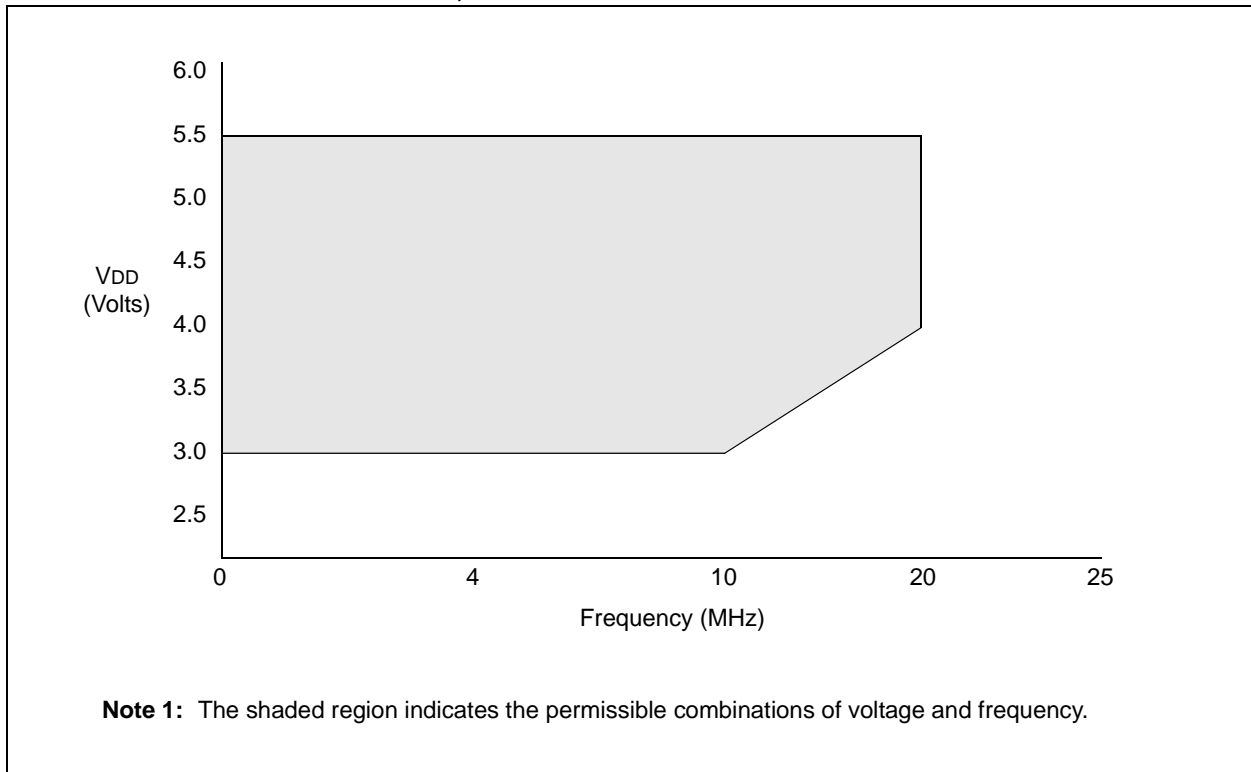


FIGURE 15-2: PIC16LC717/770/771 VOLTAGE-FREQUENCY GRAPH,  $0^{\circ}\text{C} \leq T_A \leq +70^{\circ}\text{C}$



**FIGURE 15-3: PIC16LC717/770/771 VOLTAGE-FREQUENCY GRAPH,  
-40°C ≤ TA ≤ 0°C, +70°C ≤ TA ≤ +85°C**



# PIC16C717/770/771

## 15.1 DC Characteristics: PIC16C717/770/771 (Commercial, Industrial, Extended) PIC16LC717/770/771 (Commercial, Industrial, Extended)

PIC16LC717/770/771		Standard Operating Conditions (unless otherwise stated) Operating temperature 0°C ≤ TA ≤ +70°C for commercial -40°C ≤ TA ≤ +85°C for industrial -40°C ≤ TA ≤ +125°C for extended					
PIC16C717/770/771		Standard Operating Conditions (unless otherwise stated) Operating temperature 0°C ≤ TA ≤ +70°C for commercial -40°C ≤ TA ≤ +85°C for industrial -40°C ≤ TA ≤ +125°C for extended					
Param. No.	Sym	Characteristic	Min	Typ†	Max	Units	Conditions
D001	VDD	Supply Voltage	2.5	—	5.5	V	
D001	VDD	Supply Voltage	4.0	—	5.5	V	
D002*	VDR	RAM Data Retention Voltage <sup>(1)</sup>	—	1.5	—	V	
D002*	VDR	RAM Data Retention Voltage <sup>(1)</sup>	—	1.5	—	V	
D003*	VPOR	VDD start voltage to ensure internal Power-on Reset signal	—	VSS	—	V	See section on Power-on Reset for details
D003*	VPOR	VDD start voltage to ensure internal Power-on Reset signal	—	VSS	—	V	See section on Power-on Reset for details
D004*	SVDD	VDD rise rate to ensure internal Power-on Reset signal	0.05	—	—	V/ms	See section on Power-on Reset for details. PWRT enabled
D004*	SVDD	VDD rise rate to ensure internal Power-on Reset signal	0.05	—	—	V/ms	See section on Power-on Reset for details. PWRT enabled

\* These parameters are characterized but not tested.

† Data in "Typ" column is at 5V, 25°C unless otherwise stated. These parameters are for design guidance only and are not tested.

**Note 1:** This is the limit to which VDD can be lowered without losing RAM data.



# PIC16C717/770/771

## 15.1 DC Characteristics: PIC16C717/770/771 (Commercial, Industrial, Extended) PIC16LC717/770/771 (Commercial, Industrial, Extended) (Continued)

Param. No.		Sym	Characteristic	Min	Typ†	Max	Units	Conditions
PIC16LC717/770/771			<b>Standard Operating Conditions (unless otherwise stated)</b> Operating temperature $0^{\circ}\text{C} \leq T_A \leq +70^{\circ}\text{C}$ for commercial $-40^{\circ}\text{C} \leq T_A \leq +85^{\circ}\text{C}$ for industrial $-40^{\circ}\text{C} \leq T_A \leq +125^{\circ}\text{C}$ for extended					
PIC16C717/770/771			<b>Standard Operating Conditions (unless otherwise stated)</b> Operating temperature $0^{\circ}\text{C} \leq T_A \leq +70^{\circ}\text{C}$ for commercial $-40^{\circ}\text{C} \leq T_A \leq +85^{\circ}\text{C}$ for industrial $-40^{\circ}\text{C} \leq T_A \leq +125^{\circ}\text{C}$ for extended					
		IDDD	<b>Supply Current<sup>(2)</sup></b>					
D010D D010E			<b>PIC16LC7XX</b>		1.0 3.0	2.0 3.0	mA	FOSC = 10 MHz, VDD = 3V, -40°C to 85°C FOSC = 10 MHz, VDD = 3V, -40°C to 125°C
D010G				0.36	1.0	1.0	mA	FOSC = 4 MHz, VDD = 2.5V, -40°C to 125°C
D010K				11	45	45	μA	FOSC = 32 kHz, VDD = 2.5V, -40°C to 125°C
		IDDD	<b>Supply Current<sup>(2)</sup></b>					
D010 D010A			<b>PIC16C7XX</b>		4.0 12.0	7.5 12.0	mA	FOSC = 20 MHz, VDD = 5.5V, -40°C to 85°C FOSC = 20 MHz, VDD = 5.5V, -40°C to 125°C
D010B D010C				2.5	5.0 6.0	5.0 6.0	mA	FOSC = 20 MHz, VDD = 4V, -40°C to 85°C FOSC = 20 MHz, VDD = 4V, -40°C to 125°C
D010F				0.55	1.5	1.5	mA	FOSC = 4 MHz, VDD = 4V, -40°C to 125°C
D010H D010J				30	80 95	80 95	μA	FOSC = 32 kHz, VDD = 4V, -40°C to 85°C FOSC = 32 kHz, VDD = 4V, -40°C to 125°C

\* These parameters are characterized but not tested.

† Data in "Typ" column is at 5V, 25°C unless otherwise stated. These parameters are for design guidance only and are not tested.

**Note 1:** This is the limit to which VDD can be lowered without losing RAM data.

**2:** The supply current is mainly a function of the operating voltage and frequency. Other factors such as I/O pin loading and switching rate, oscillator type, internal code execution pattern, and temperature also have an impact on the current consumption.

The test conditions for all IDD measurements in active Operation mode are:

OSC1 = external square wave, from rail to rail; all I/O pins tristated, pulled to VDD

MCLR = VDD; WDT enabled/disabled as specified.

# PIC16C717/770/771

<b>PIC16LC717/770/771</b>		<b>Standard Operating Conditions (unless otherwise stated)</b> Operating temperature $0^{\circ}\text{C} \leq T_A \leq +70^{\circ}\text{C}$ for commercial $-40^{\circ}\text{C} \leq T_A \leq +85^{\circ}\text{C}$ for industrial $-40^{\circ}\text{C} \leq T_A \leq +125^{\circ}\text{C}$ for extended					
<b>PIC16C717/770/771</b>		<b>Standard Operating Conditions (unless otherwise stated)</b> Operating temperature $0^{\circ}\text{C} \leq T_A \leq +70^{\circ}\text{C}$ for commercial $-40^{\circ}\text{C} \leq T_A \leq +85^{\circ}\text{C}$ for industrial $-40^{\circ}\text{C} \leq T_A \leq +125^{\circ}\text{C}$ for extended					
Param. No.	Sym	Characteristic	Min	Typ†	Max	Units	Conditions
	IPD	<b>Power-down Current<sup>(3)</sup></b>					
D020D		<b>PIC16LC7XX</b>		0.3	2.0	$\mu\text{A}$	$V_{DD} = 3\text{V}, -40^{\circ}\text{C}$ to $85^{\circ}\text{C}$
D020E					5.0		$V_{DD} = 3\text{V}, -40^{\circ}\text{C}$ to $125^{\circ}\text{C}$
D020F		<b>PIC16C7XX</b>		0.1	1.5	$\mu\text{A}$	$V_{DD} = 2.5\text{V}, -40^{\circ}\text{C}$ to $85^{\circ}\text{C}$
D020G					3.0		$V_{DD} = 2.5\text{V}, -40^{\circ}\text{C}$ to $125^{\circ}\text{C}$
D020		<b>PIC16C7XX</b>		1.4	4.0	$\mu\text{A}$	$V_{DD} = 5.5\text{V}, -40^{\circ}\text{C}$ to $85^{\circ}\text{C}$
D020A					8.0		$V_{DD} = 5.5\text{V}, -40^{\circ}\text{C}$ to $125^{\circ}\text{C}$
D020B		<b>PIC16C7XX</b>		1.0	3.5	$\mu\text{A}$	$V_{DD} = 4\text{V}, -40^{\circ}\text{C}$ to $85^{\circ}\text{C}$
D020C					6.0		$V_{DD} = 4\text{V}, -40^{\circ}\text{C}$ to $125^{\circ}\text{C}$

\* These parameters are characterized but not tested.

† Data in "Typ" column is at 5V, 25°C unless otherwise stated. These parameters are for design guidance only and are not tested.

**Note 1:** This is the limit to which  $V_{DD}$  can be lowered without losing RAM data.

**2:** The supply current is mainly a function of the operating voltage and frequency. Other factors such as I/O pin loading and switching rate, oscillator type, internal code execution pattern, and temperature also have an impact on the current consumption.

The test conditions for all  $I_{DD}$  measurements in active Operation mode are:

$\text{OSC1} =$  external square wave, from rail to rail; all I/O pins tristated, pulled to  $V_{DD}$

$\text{MCLR} = V_{DD}$ ; WDT enabled/disabled as specified.

**3:** The power-down current in SLEEP mode does not depend on the oscillator type. Power-down current is measured with the part in SLEEP mode, with all I/O pins in hi-impedance state and tied to  $V_{DD}$  or  $V_{SS}$ .

# PIC16C717/770/771

## 15.1 DC Characteristics: PIC16C717/770/771 (Commercial, Industrial, Extended) PIC16LC717/770/771 (Commercial, Industrial, Extended) (Continued)

PIC16LC717/770/771		Standard Operating Conditions (unless otherwise stated) Operating temperature $0^{\circ}\text{C} \leq T_A \leq +70^{\circ}\text{C}$ for commercial $-40^{\circ}\text{C} \leq T_A \leq +85^{\circ}\text{C}$ for industrial $-40^{\circ}\text{C} \leq T_A \leq +125^{\circ}\text{C}$ for extended					
PIC16C717/770/771		Standard Operating Conditions (unless otherwise stated) Operating temperature $0^{\circ}\text{C} \leq T_A \leq +70^{\circ}\text{C}$ for commercial $-40^{\circ}\text{C} \leq T_A \leq +85^{\circ}\text{C}$ for industrial $-40^{\circ}\text{C} \leq T_A \leq +125^{\circ}\text{C}$ for extended					
Param. No.	Sym	Characteristic	Min	Typ†	Max	Units	Conditions
<b>Base plus Module current</b>							
D021A	IWDT	Watchdog Timer		2	10	$\mu\text{A}$	$V_{DD} = 3\text{V}$ , $-40^{\circ}\text{C}$ to $125^{\circ}\text{C}$
D021	IWDT	Watchdog Timer		5	20	$\mu\text{A}$	$V_{DD} = 4\text{V}$ , $-40^{\circ}\text{C}$ to $125^{\circ}\text{C}$
D021	IWDT	Watchdog Timer		5	20	$\mu\text{A}$	$V_{DD} = 4\text{V}$ , $-40^{\circ}\text{C}$ to $125^{\circ}\text{C}$
D025	IT1OSC	Timer1 Oscillator		3	9	$\mu\text{A}$	$V_{DD} = 3\text{V}$ , $-40^{\circ}\text{C}$ to $125^{\circ}\text{C}$
D025	IT1OSC	Timer1 Oscillator		4	12	$\mu\text{A}$	$V_{DD} = 4\text{V}$ , $-40^{\circ}\text{C}$ to $125^{\circ}\text{C}$
D025	IT1OSC	Timer1 Oscillator		4	12	$\mu\text{A}$	$V_{DD} = 4\text{V}$ , $-40^{\circ}\text{C}$ to $125^{\circ}\text{C}$
D026*	IAD	ADC Converter		300		$\mu\text{A}$	$V_{DD} = 5.5\text{V}$ , A/D on, not converting
D026*	IAD	ADC Converter		300		$\mu\text{A}$	$V_{DD} = 5.5\text{V}$ , A/D on, not converting
D027	IPLVD	Programmable Low Voltage Detect		55	125	$\mu\text{A}$	$V_{DD} = 4\text{V}$ , $-40^{\circ}\text{C}$ to $85^{\circ}\text{C}$
D027A	IPLVD	Programmable Low Voltage Detect			150		$V_{DD} = 4\text{V}$ , $-40^{\circ}\text{C}$ to $125^{\circ}\text{C}$
D027	IPLVD	Programmable Low Voltage Detect		55	125	$\mu\text{A}$	$V_{DD} = 4\text{V}$ , $-40^{\circ}\text{C}$ to $85^{\circ}\text{C}$
D027A	IPLVD	Programmable Low Voltage Detect			150		$V_{DD} = 4\text{V}$ , $-40^{\circ}\text{C}$ to $125^{\circ}\text{C}$
D028	IPBOR	Programmable Brown-out Reset		55	125	$\mu\text{A}$	$V_{DD} = 5\text{V}$ , $-40^{\circ}\text{C}$ to $85^{\circ}\text{C}$
D028A	IPBOR	Programmable Brown-out Reset			150		$V_{DD} = 5\text{V}$ , $-40^{\circ}\text{C}$ to $125^{\circ}\text{C}$
D028	IPBOR	Programmable Brown-out Reset		55	125	$\mu\text{A}$	$V_{DD} = 5\text{V}$ , $-40^{\circ}\text{C}$ to $85^{\circ}\text{C}$
D028A	IPBOR	Programmable Brown-out Reset			150		$V_{DD} = 5\text{V}$ , $-40^{\circ}\text{C}$ to $125^{\circ}\text{C}$
D029	IVRH	Voltage reference High		200	750	$\mu\text{A}$	$V_{DD} = 5\text{V}$ , $-40^{\circ}\text{C}$ to $85^{\circ}\text{C}$
D029A	IVRH	Voltage reference High			1.0	$\text{mA}$	$V_{DD} = 5\text{V}$ , $-40^{\circ}\text{C}$ to $125^{\circ}\text{C}$
D029	IVRH	Voltage reference High		200	750	$\mu\text{A}$	$V_{DD} = 5\text{V}$ , $-40^{\circ}\text{C}$ to $85^{\circ}\text{C}$
D029A	IVRH	Voltage reference High			1.0	$\text{mA}$	$V_{DD} = 5\text{V}$ , $-40^{\circ}\text{C}$ to $125^{\circ}\text{C}$
D030	IVRL	Voltage reference Low		200	750	$\mu\text{A}$	$V_{DD} = 4\text{V}$ , $-40^{\circ}\text{C}$ to $85^{\circ}\text{C}$
D030A	IVRL	Voltage reference Low			1.0	$\text{mA}$	$V_{DD} = 4\text{V}$ , $-40^{\circ}\text{C}$ to $125^{\circ}\text{C}$
D030	IVRL	Voltage reference Low		200	750	$\mu\text{A}$	$V_{DD} = 4\text{V}$ , $-40^{\circ}\text{C}$ to $85^{\circ}\text{C}$
D030A	IVRL	Voltage reference Low			1.0	$\text{mA}$	$V_{DD} = 4\text{V}$ , $-40^{\circ}\text{C}$ to $125^{\circ}\text{C}$

\* These parameters are characterized but not tested.

† Data in "Typ" column is at 5V, 25°C unless otherwise stated. These parameters are for design guidance only and are not tested.

# PIC16C717/770/771

## 15.2 DC Characteristics: PIC16C717/770/771 & PIC16LC717/770/771 (Commercial, Industrial, Extended)

Standard Operating Conditions (unless otherwise stated)							
DC CHARACTERISTICS							
Operating temperature $0^{\circ}\text{C} \leq T_A \leq +70^{\circ}\text{C}$ for commercial $-40^{\circ}\text{C} \leq T_A \leq +85^{\circ}\text{C}$ for industrial $-40^{\circ}\text{C} \leq T_A \leq +125^{\circ}\text{C}$ for extended							
Operating voltage $V_{DD}$ range as described in Section 15.1 and Section 15.2.							
Param. No.	Sym	Characteristic	Min	Typ†	Max	Units	Conditions
D030 D030A D031 D032 D033	$V_{IL}$	<b>Input Low Voltage</b> I/O ports with TTL buffer with Schmitt Trigger buffer $\overline{\text{MCLR}}$ OSC1 (in XT, HS, LP and EC)	$V_{SS}$ $V_{SS}$ $V_{SS}$ $V_{SS}$ $V_{SS}$	— — — — —	$0.15V_{DD}$ 0.8V $0.2V_{DD}$ $0.2V_{DD}$ $0.3V_{DD}$	V V V V V	For entire $V_{DD}$ range $4.5\text{V} \leq V_{DD} \leq 5.5\text{V}$ For entire $V_{DD}$ range
D040 D040A D041 D042 D042A	$V_{IH}$	<b>Input High Voltage</b> I/O ports with TTL buffer with Schmitt Trigger buffer $\overline{\text{MCLR}}$ OSC1 (XT, HS, LP and EC)	2.0 ( $0.25V_{DD}$ + 0.8V) $0.8V_{DD}$ $0.8V_{DD}$ $0.7V_{DD}$	— — — — —	$V_{DD}$ $V_{DD}$ $V_{DD}$ $V_{DD}$ $V_{DD}$	V V V V V	$4.5\text{V} \leq V_{DD} \leq 5.5\text{V}$ For entire $V_{DD}$ range For entire $V_{DD}$ range
D070	IPURB	PORTB weak pull-up current per pin	50	250	400	$\mu\text{A}$	$V_{DD} = 5\text{V}$ , $V_{PIN} = V_{SS}$
D060 D060A D061 D063	$I_{IL}$ $I_{IL}$	<b>Input Leakage Current</b> <sup>(1,2)</sup> I/O ports (with digital functions) I/O ports (with analog functions) $\overline{\text{RA5}}/\overline{\text{MCLR}}/V_{PP}$ OSC1	— — — —	— — — —	$\pm 1$ $\pm 100$ $\pm 5$ $\pm 5$	$\mu\text{A}$ nA $\mu\text{A}$ $\mu\text{A}$	$V_{SS} \leq V_{PIN} \leq V_{DD}$ , Pin at hi-impedance $V_{SS} \leq V_{PIN} \leq V_{DD}$ , Pin at hi-impedance $V_{SS} \leq V_{PIN} \leq V_{DD}$ $V_{SS} \leq V_{PIN} \leq V_{DD}$ , XT, HS, LP and EC osc configuration
D080	$V_{OL}$	<b>Output Low Voltage</b> I/O ports	—	—	0.6	V	$I_{OL} = 8.5\text{ mA}$ , $V_{DD} = 4.5\text{V}$
D090	$V_{OH}$	<b>Output High Voltage</b> I/O ports <sup>(2)</sup>	$V_{DD} - 0.7$	—	—	V	$I_{OH} = -3.0\text{ mA}$ , $V_{DD} = 4.5\text{V}$
D150*	$V_{OD}$	<b>Open Drain High Voltage</b>	—	—	10.5	V	RA4 pin
D100 D101 D102	COS C2 C10 CB CVRH CVRL	<b>Capacitive Loading Specs on Output Pins*</b> OSC2 pin All I/O pins and OSC2 (in RC mode) SCL, SDA in I <sup>2</sup> C mode VRH pin VRL pin	— — — — — —	— — — — — —	15 50 400 200 200	pF pF pF pF pF	In XT, HS and LP modes when external clock is used to drive OSC1. VRH output enabled VRL output enabled

\* These parameters are characterized but not tested.

† Data in "Typ" column is at 5V, 25°C unless otherwise stated. These parameters are for design guidance only and are not tested.

**Note 1:** The leakage current on the  $\overline{\text{MCLR}}$  pin is strongly dependent on the applied voltage level. The specified levels represent normal operating conditions. Higher leakage current may be measured at different input voltages.

**2:** Negative current is defined as current sourced by the pin.

## 15.3 AC Characteristics: PIC16C717/770/771 & PIC16LC717/770/771 (Commercial, Industrial, Extended)

### 15.3.1 TIMING PARAMETER SYMBOLOGY

The timing parameter symbols have been created using one of the following formats:

- |             |           |  |
|-------------|-----------|--|
| 1. TppS2ppS | 3. TCC:ST | (I <sup>2</sup> C specifications only) |
| 2. TppS     | 4. Ts     | (I <sup>2</sup> C specifications only) |

<b>T</b>			
F	Frequency	T	Time

Lowercase letters (pp) and their meanings:

<b>pp</b>			
cc	CCP1	osc	OSC1
ck	CLKOUT	rd	$\overline{RD}$
cs	$\overline{CS}$	rw	$\overline{RD}$ or $\overline{WR}$
di	SDI	sc	SCK
do	SDO	ss	$\overline{SS}$
dt	Data in	t0	T0CKI
io	I/O port	t1	T1CKI
mc	$\overline{MCLR}$	wr	$\overline{WR}$

Uppercase letters and their meanings:

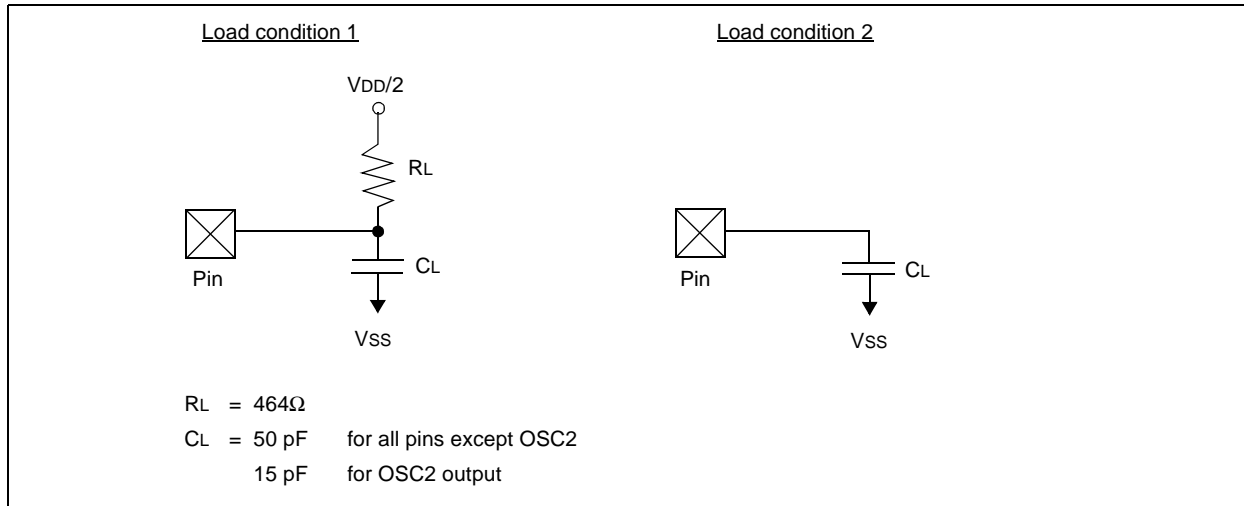
<b>S</b>			
F	Fall	P	Period
H	High	R	Rise
I	Invalid (Hi-impedance)	V	Valid
L	Low	Z	Hi-impedance
<b>I<sup>2</sup>C</b> (I <sup>2</sup> C specifications only)			
AA	output access		
BUF	Bus free		
High	High		
Low	Low		

TCC:ST (I<sup>2</sup>C specifications only)

<b>CC</b>			
HD	Hold	SU	Setup
<b>ST</b>			
DAT	DATA input hold	STO	STOP condition
STA	START condition		

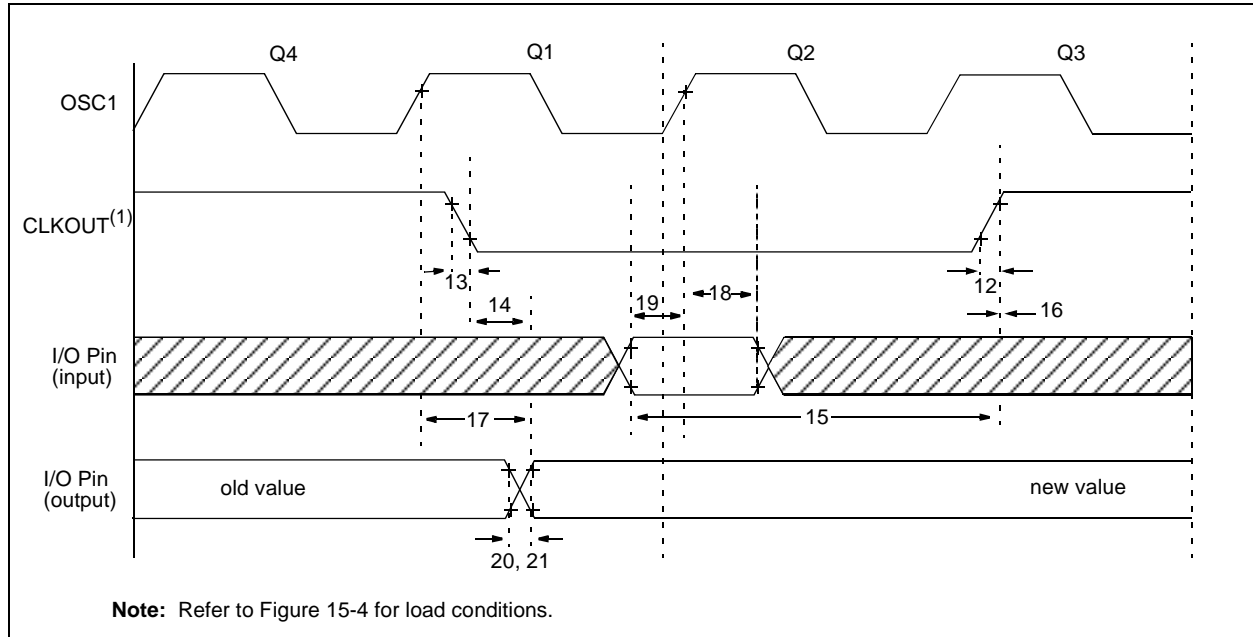
# PIC16C717/770/771

FIGURE 15-4: LOAD CONDITIONS



## 15.3.2 TIMING DIAGRAMS AND SPECIFICATIONS

**FIGURE 15-5: CLKOUT AND I/O TIMING**



**TABLE 15-1: CLKOUT AND I/O TIMING REQUIREMENTS**

Param. No.	Sym	Characteristic	Min	Typ†	Max	Unit	Conditions	
12*	TckR	CLKOUT rise time	—	35	100	ns	<b>Note 1</b>	
13*	TckF	CLKOUT fall time	—	35	100	ns	<b>Note 1</b>	
14*	TckL2ioV	CLKOUT ↓ to Port out valid	—	—	0.5T <sub>CY</sub> + 20	ns	<b>Note 1</b>	
15*	TioV2ckH	Port in valid before CLKOUT ↑	0.25T <sub>CY</sub> + 25	—	—	ns	<b>Note 1</b>	
16*	TckH2ioI	Port in hold after CLKOUT ↑	0	—	—	ns	<b>Note 1</b>	
17*	TosH2ioV	OSC1↑ (Q1 cycle) to Port out valid	—	50	150	ns		
18*	TosH2ioI	OSC1↑ (Q2 cycle) to Port input invalid (I/O in hold time)	PIC16C717/770/771	100	—	—	ns	
			PIC16LC717/770/771	200	—	—	ns	
19*	TioV2osH	Port input valid to OSC1↑ (I/O in setup time)	0	—	—	ns		
20*	TioR	Port output rise time	PIC16C717/770/771	—	10	25	ns	
			PIC16LC717/770/771	—	—	60	ns	
21*	TioF	Port output fall time	PIC16C717/770/771	—	10	25	ns	
			PIC16LC717/770/771	—	—	60	ns	
22††*	Tinp	INT pin high or low time	T <sub>CY</sub>	—	—	ns		
23††*	Trbp	RB<7:0> change INT high or low time	T <sub>CY</sub>	—	—	ns		

\* These parameters are characterized but not tested.

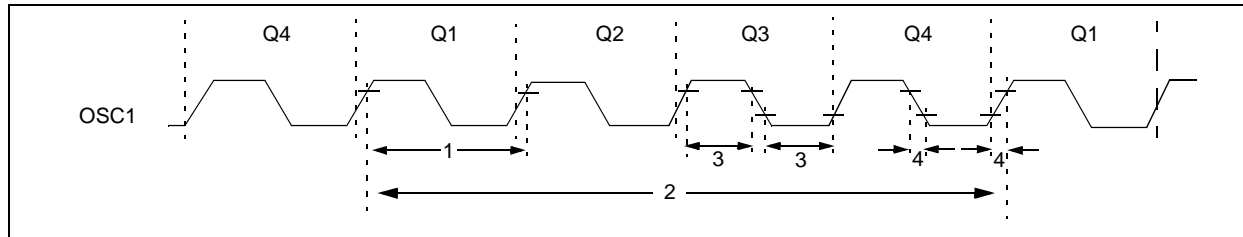
† Data in "Typ" column is at 5V, 25°C unless otherwise stated. These parameters are for design guidance only and are not tested.

†† These parameters are asynchronous events not related to any internal clock edges.

**Note 1:** Measurements are taken ER or INTRC w/CLKOUT mode where CLKOUT output is 4 x T<sub>osc</sub>.

# PIC16C717/770/771

**FIGURE 15-6: EXTERNAL CLOCK TIMING**



**TABLE 15-2: EXTERNAL CLOCK TIMING REQUIREMENTS**

Param No.	Sym	Characteristic	Min	Typ†	Max	Units	Conditions
1A	Fosc	External CLKIN Frequency (Note 1)	DC	—	4	MHz	XT mode
			DC	—	20	MHz	EC mode
			DC	—	20	MHz	HS mode
			DC	—	200	kHz	LP mode
		Oscillator Frequency (Note 1)	0.1*	—	4	MHz	XT mode
			4*	—	20	MHz	HS mode
			5*	—	200	kHz	LP mode
1	Tosc	External CLKIN Period (Note 1)	250	—	—	ns	XT mode
			50	—	—	ns	EC mode
			50	—	—	ns	HS mode
			5	—	—	μs	LP mode
		Oscillator Period (Note 1)	250	—	10,000*	ns	XT mode
			50	—	250*	ns	HS mode
			5	—	—	μs	LP mode
2	Tcy	Instruction Cycle Time (Note 1)	200	Tcy	DC	ns	Tcy = 4/Fosc
3*	TosL, TosH	External Clock in (OSC1) High or Low Time	100	—	—	ns	XT mode
			2.5	—	—	μs	LP mode
			15	—	—	ns	HS mode
			—	—	—	ns	EC mode
4*	TosR, TosF	External Clock in (OSC1) Rise or Fall Time	—	—	25	ns	XT mode
			—	—	50	ns	LP mode
			—	—	15	ns	HS mode
			—	—	—	ns	EC mode

\* These parameters are characterized but not tested.

† Data in "Typ" column is at 5V, 25°C unless otherwise stated. These parameters are for design guidance only and are not tested.

**Note 1:** Instruction cycle period (Tcy) equals four times the input oscillator time-base period. All specified values are based on characterization data for that particular oscillator type under standard operating conditions with the device executing code. Exceeding these specified limits may result in an unstable oscillator operation and/or higher than expected current consumption. All devices are tested to operate at "Max. Frequency" values with a square wave applied to the OSC1/CLKIN pin.

When an external clock input is used, the "Min." frequency (or Max. Tcy) limit is "DC" (no clock) for all devices.



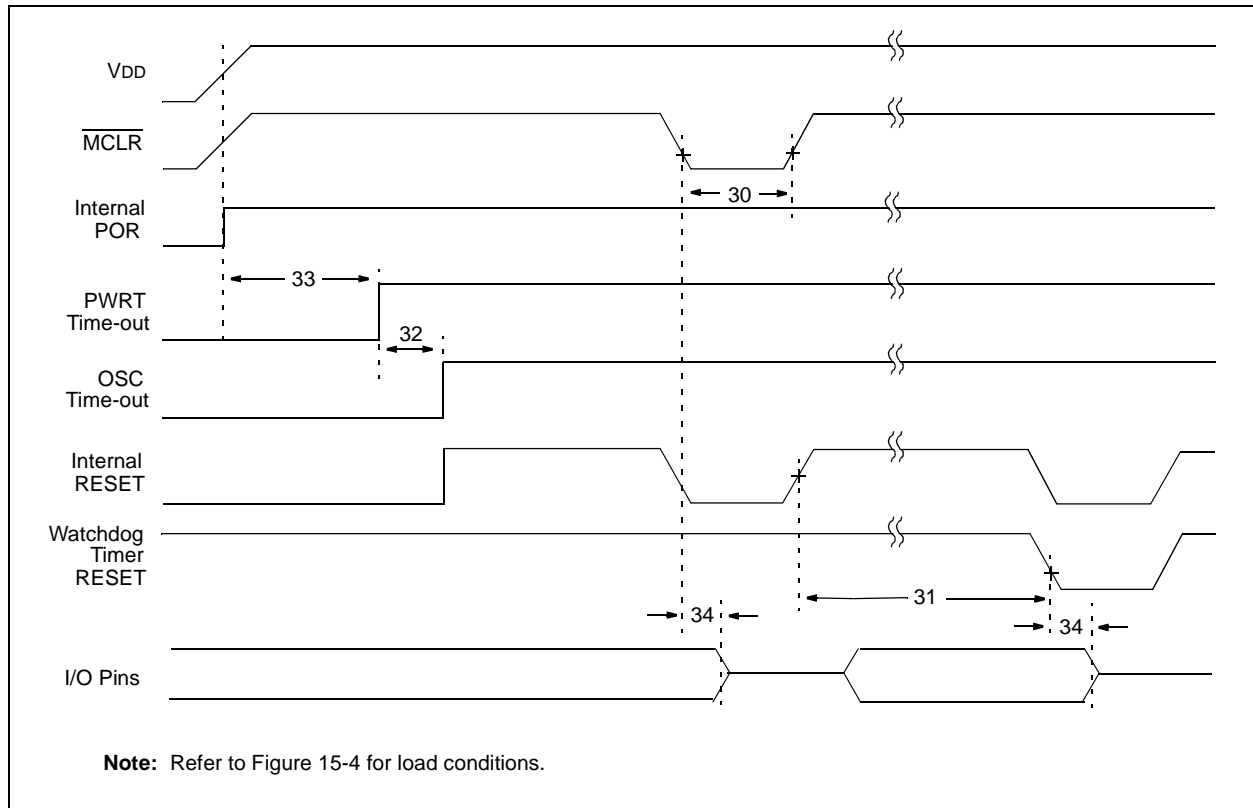
**TABLE 15-3: CALIBRATED INTERNAL RC FREQUENCIES - PIC16C717/770/771 AND PIC16LC717/770/771**

AC Characteristics		Standard Operating Conditions (unless otherwise specified)					
		Operating Temperature $0^{\circ}\text{C} \leq T_A \leq +70^{\circ}\text{C}$ for commercial $-40^{\circ}\text{C} \leq T_A \leq +85^{\circ}\text{C}$ for industrial $-40^{\circ}\text{C} \leq T_A \leq +125^{\circ}\text{C}$ for extended					
		Operating Voltage $V_{DD}$ range is described in Section and Section					
Parameter No.	Sym	Characteristic	Min	Typ <sup>(1)*</sup>	Max	Units	Conditions
	FIRC	Internal Calibrated RC Frequency	3.65	4.00	4.28	MHz	$V_{DD} = 5.0\text{V}$
		Internal RC Frequency*	3.55	4.00	4.31	MHz	$V_{DD} = 2.5\text{V}$

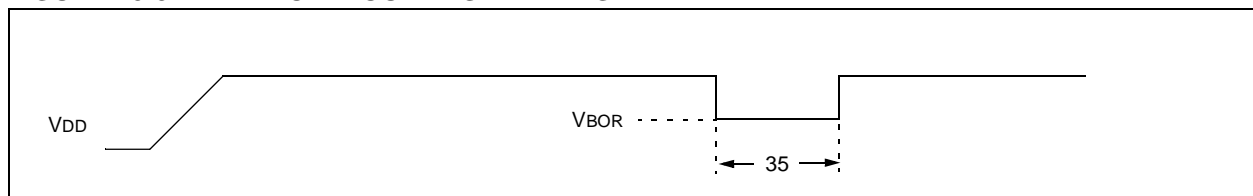
\* These parameters are characterized but not tested.

**Note 1:** Data in the Typical ("Typ") column is at 5V, 25°C unless otherwise stated. These parameters are for design guidance only and are not tested.

**FIGURE 15-7: RESET, WATCHDOG TIMER, OSCILLATOR START-UP TIMER AND POWER-UP TIMER TIMING**



**FIGURE 15-8: BROWN-OUT RESET TIMING**



# PIC16C717/770/771

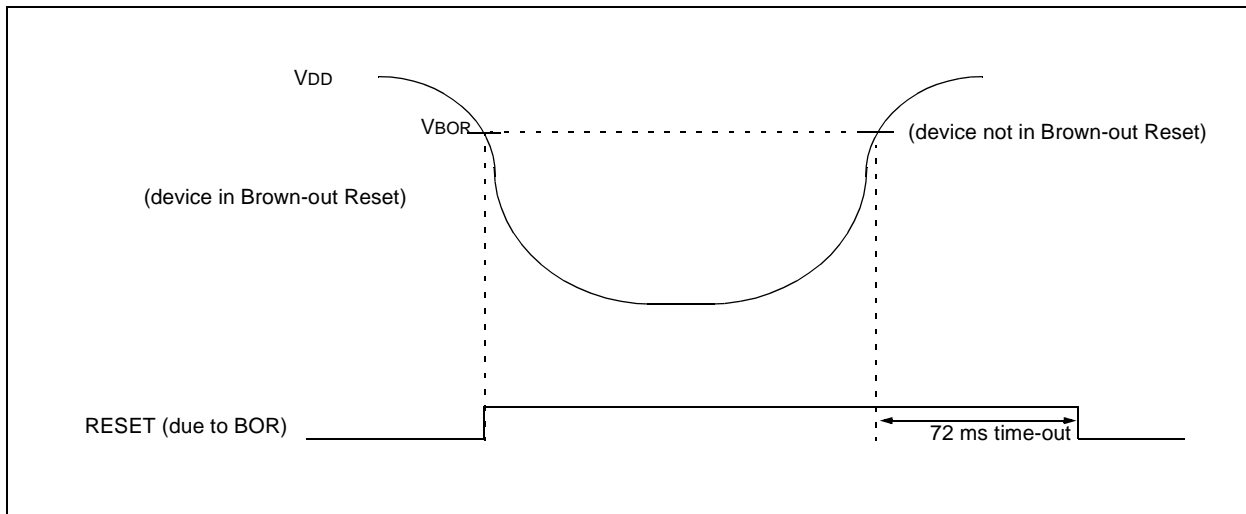
**TABLE 15-4: RESET, WATCHDOG TIMER, OSCILLATOR START-UP TIMER, POWER-UP TIMER, AND BROWN-OUT RESET REQUIREMENTS**

Parameter No.	Sym	Characteristic	Min	Typ†	Max	Units	Conditions
30*	TMCL	MCLR Pulse Width (low)	2	—	—	μs	VDD = 5V, -40°C to +85°C
31*	TWDT	Watchdog Timer Time-out Period (No Prescaler)	7	18	33	ms	VDD = 5V, -40°C to +85°C
32*	TOST	Oscillation Start-up Timer Period	—	1024 TOSC	—	—	TOSC = OSC1 period
33*	TPWRT	Power up Timer Period	28	72	132	ms	VDD = 5V, -40°C to +85°C
34*	TIOZ	I/O Hi-impedance from MCLR Low or Watchdog Timer Reset	—	—	2.1	μs	
35*	TBOR	Brown-out Reset pulse width	100	—	—	μs	VDD ≤ VBOR (D005)

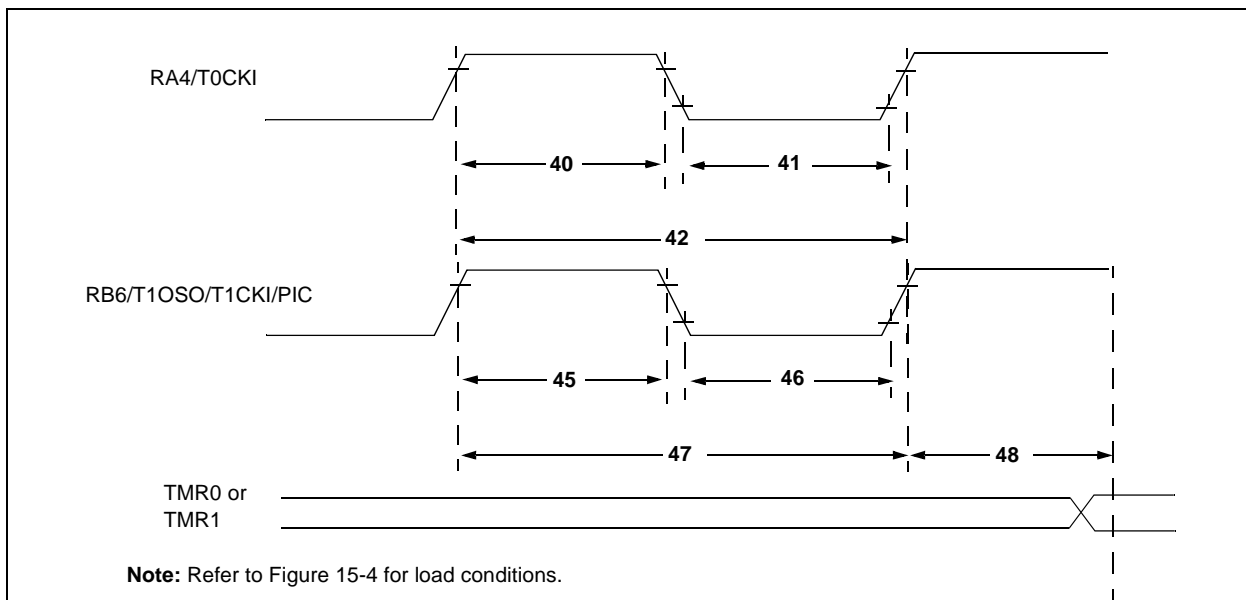
\* These parameters are characterized but not tested.

† Data in "Typ" column is at 5V, 25°C unless otherwise stated. These parameters are for design guidance only and are not tested.

**FIGURE 15-9: BROWN-OUT RESET CHARACTERISTICS**



**FIGURE 15-10: TIMER0 AND TIMER1 EXTERNAL CLOCK TIMINGS**



# PIC16C717/770/771

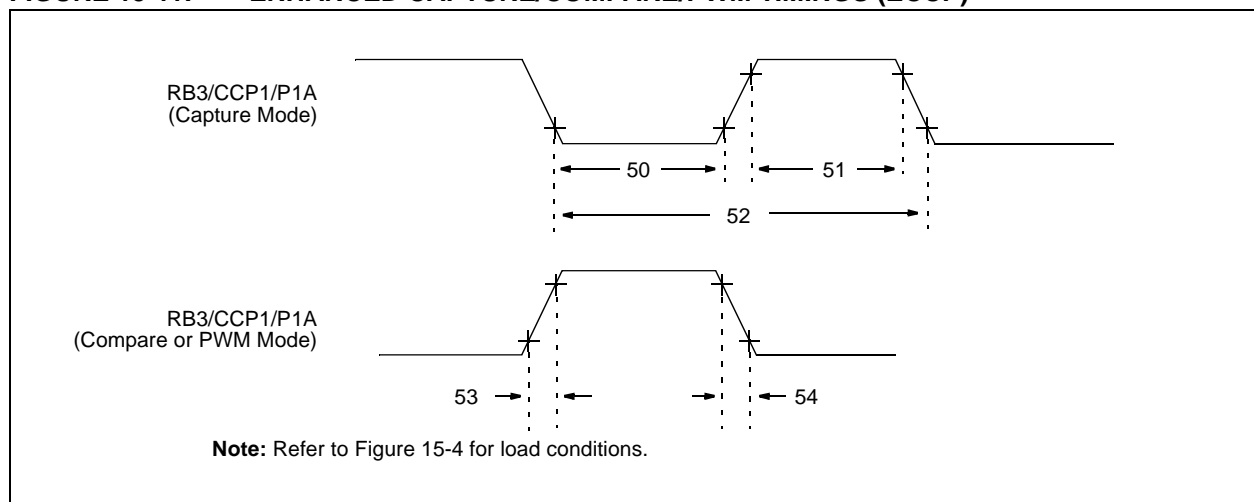
**TABLE 15-5: TIMER0 AND TIMER1 EXTERNAL CLOCK REQUIREMENTS**

Param. No.	Sym	Characteristic		Min	Typ†	Max	Units	Conditions	
40*	Tt0H	T0CKI High Pulse Width	No Prescaler	$0.5T_{CY} + 20$	—	—	ns	Must also meet parameter 42	
			With Prescaler	10	—	—	ns		
41*	Tt0L	T0CKI Low Pulse Width	No Prescaler	$0.5T_{CY} + 20$	—	—	ns	Must also meet parameter 42	
			With Prescaler	10	—	—	ns		
42*	Tt0P	T0CKI Period	No Prescaler	$T_{CY} + 40$	—	—	ns	N = prescale value (2, 4, ..., 256)	
			With Prescaler	Greater of: $20$ or $\frac{T_{CY} + 40}{N}$	—	—	ns		
45*	Tt1H	T1CKI High Time	Synchronous, Prescaler = 1	$0.5T_{CY} + 20$	—	—	ns	Must also meet parameter 47	
			Synchronous, Prescaler = 2,4,8	PIC16C717/770/771 PIC16LC717/770/771	15 25	—	—		ns ns
			Asynchronous	PIC16C717/770/771	30	—	—		ns
				PIC16LC717/770/771	50	—	—		ns
46*	Tt1L	T1CKI Low Time	Synchronous, Prescaler = 1	$0.5T_{CY} + 20$	—	—	ns	Must also meet parameter 47	
			Synchronous, Prescaler = 2,4,8	PIC16C717/770/771 PIC16LC717/770/771	15 25	—	—		ns ns
			Asynchronous	PIC16C717/770/771	30	—	—		ns
				PIC16LC717/770/771	50	—	—		ns
47*	Tt1P	T1CKI input period	Synchronous	PIC16C717/770/771	Greater of: $30$ OR $\frac{T_{CY} + 40}{N}$	—	—	ns	N = prescale value (1, 2, 4, 8)
				PIC16LC717/770/771	Greater of: $50$ OR $\frac{T_{CY} + 40}{N}$	—	—	ns	N = prescale value (1, 2, 4, 8)
			Asynchronous	PIC16C717/770/771	60	—	—	ns	
				PIC16LC717/770/771	100	—	—	ns	
	Ft1	Timer1 oscillator input frequency range (oscillator enabled by setting bit T1OSCEN)		DC	—	50	kHz		
48	Tcke2tmr1	Delay from external clock edge to timer increment		$2T_{osc}$	—	$7T_{osc}$	—		

\* These parameters are characterized but not tested.

† Data in "Typ" column is at 5V, 25°C unless otherwise stated. These parameters are for design guidance only and are not tested.

**FIGURE 15-11: ENHANCED CAPTURE/COMPARE/PWM TIMINGS (ECCP)**



# PIC16C717/770/771

**TABLE 15-6: ENHANCED CAPTURE/COMPARE/PWM REQUIREMENTS (ECCP)**

Param. No.	Sym	Characteristic	Min	Typ†	Max	Units	Conditions		
50*	TccL	CCP1 input low time	No Prescaler	0.5Tcy + 20	—	—	ns		
			With Prescaler	PIC16C717/770/771	10	—	—		ns
				PIC16LC717/770/771	20	—	—		ns
51*	TccH	CCP1 input high time	No Prescaler	0.5Tcy + 20	—	—	ns		
			With Prescaler	PIC16C717/770/771	10	—	—		ns
				PIC16LC717/770/771	20	—	—		ns
52*	TccP	CCP1 input period	$\frac{3Tcy + 40}{N}$	—	—	ns	N = prescale value (1, 4 or 16)		
53*	TccR	CCP1 output fall time	PIC16C717/770/771	—	10	25	ns		
			PIC16LC717/770/771	—	25	45	ns		
54*	TccF	CCP1 output fall time	PIC16C717/770/771	—	10	25	ns		
			PIC16LC717/770/771	—	25	45	ns		

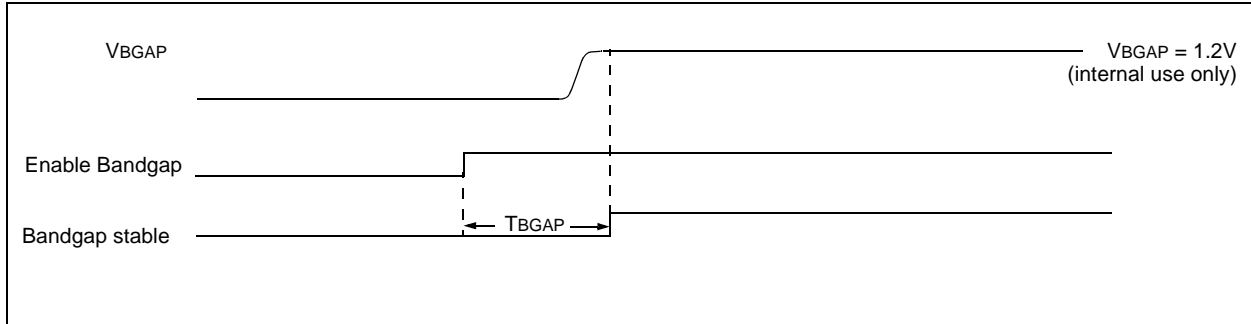
\* These parameters are characterized but not tested.

† Data in "Typ" column is at 5V, 25°C unless otherwise stated. These parameters are for design guidance only and are not tested.

## 15.4 Analog Peripherals Characteristics: PIC16C717/770/771 & PIC16LC717/770/771 (Commercial, Industrial, Extended)

### 15.4.1 BANDGAP MODULE

**FIGURE 15-12: BANDGAP START-UP TIME**



**TABLE 15-7: BANDGAP START-UP TIME**

Param. No.	Sym	Characteristic	Min	Typ†	Max	Units	Conditions
36*	TBGAP	Bandgap start-up time	—	19	33	μS	Defined as the time between the instant that the bandgap is enabled and the moment that the bandgap reference voltage is stable.

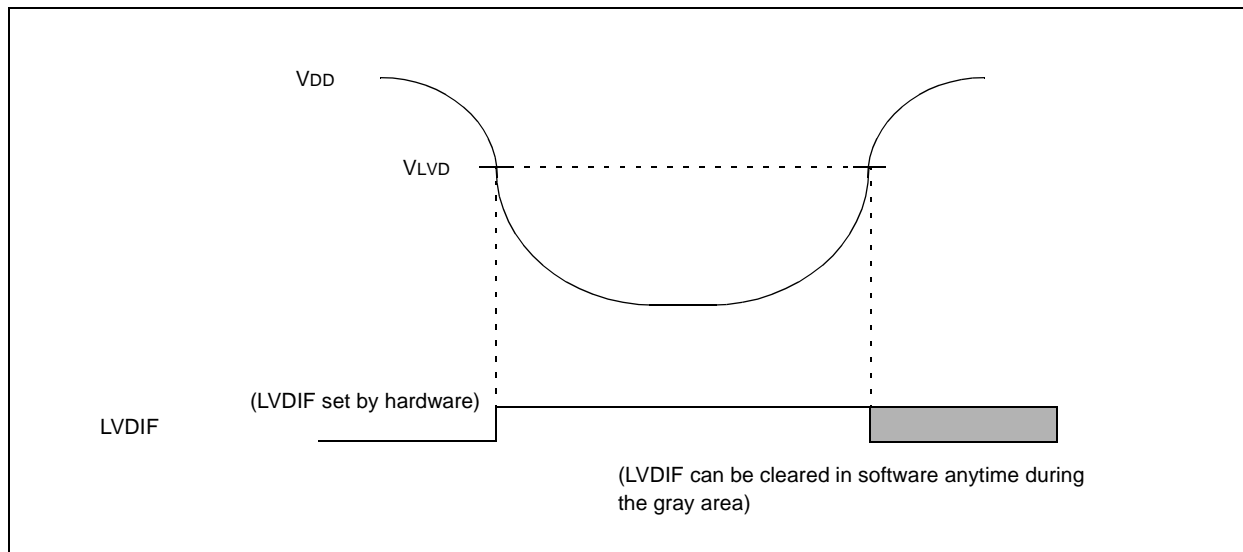
\* These parameters are characterized but not tested.

† Data in "Typ" column is at 5V, 25°C unless otherwise stated. These parameters are for design guidance only and are not tested.

# PIC16C717/770/771

## 15.4.2 LOW VOLTAGE DETECT MODULE (LVD)

**FIGURE 15-13: LOW VOLTAGE DETECT CHARACTERISTICS**



**TABLE 15-8: ELECTRICAL CHARACTERISTICS: LVD**

DC CHARACTERISTICS		Standard Operating Conditions (unless otherwise stated)						Conditions
		Operating temperature $-40^{\circ}\text{C} \leq T_A \leq +85^{\circ}\text{C}$ for industrial and $0^{\circ}\text{C} \leq T_A \leq +70^{\circ}\text{C}$ for commercial						
		Operating voltage VDD range as described in DC Characteristics Section 15.1.						
Param. No.	Characteristic	Symbol	Min	Typ†	Max	Units	Conditions	
D420*	LVD Voltage	LVV = 0100	2.5	2.58	2.66	V		
		LVV = 0101	2.7	2.78	2.86	V		
		LVV = 0110	2.8	2.89	2.98	V		
		LVV = 0111	3.0	3.1	3.2	V		
		LVV = 1000	3.3	3.41	3.52	V		
		LVV = 1001	3.5	3.61	3.72	V		
		LVV = 1010	3.6	3.72	3.84	V		
		LVV = 1011	3.8	3.92	4.04	V		
		LVV = 1100	4.0	4.13	4.26	V		
		LVV = 1101	4.2	4.33	4.46	V		
		LVV = 1110	4.5	4.64	4.78	V		

\* These parameters are characterized but not tested.

**Note 1:** Production tested at Tamb = 25°C. Specifications over temperature limits ensured by characterization.

## 15.4.3 PROGRAMMABLE BROWN-OUT RESET MODULE (PBOR)

**TABLE 15-9: DC CHARACTERISTICS: PBOR**

<b>Standard Operating Conditions (unless otherwise stated)</b> Operating temperature $0^{\circ}\text{C} \leq T_A \leq +70^{\circ}\text{C}$ for commercial $-40^{\circ}\text{C} \leq T_A \leq +85^{\circ}\text{C}$ for industrial $-40^{\circ}\text{C} \leq T_A \leq +125^{\circ}\text{C}$ for extended Operating voltage $V_{DD}$ range as described in DC Characteristics Section 15.1.								
Param. No.	Characteristic		Symbol	Min	Typ	Max	Units	Conditions
D005	BOR Voltage	BORV<1:0> = 11	V <sub>BOR</sub>	2.5	2.58	2.66	V	
		BORV<1:0> = 10		2.7	2.78	2.86		
		BORV<1:0> = 01		4.2	4.33	4.46		
		BORV<1:0> = 00		4.5	4.64	4.78		

## 15.4.4 V<sub>REF</sub> MODULE

**TABLE 15-10: DC CHARACTERISTICS: V<sub>REF</sub>**

<b>Standard Operating Conditions (unless otherwise stated)</b> Operating temperature $0^{\circ}\text{C} \leq T_A \leq +70^{\circ}\text{C}$ for commercial $-40^{\circ}\text{C} \leq T_A \leq +85^{\circ}\text{C}$ for industrial $-40^{\circ}\text{C} \leq T_A \leq +125^{\circ}\text{C}$ for extended Operating voltage $V_{DD}$ range as described in DC Characteristics Section 15.1.								
Param. No.	Symbol	Characteristic	Min	Typ†	Max	Units	Conditions	
D400	VRL	Output Voltage	2.0	2.048	2.1	V	$V_{DD} \geq 2.7\text{V}$ , $-40^{\circ}\text{C} \leq T_A \leq +85^{\circ}\text{C}$	
	VRH		4.0	4.096	4.2	V	$V_{DD} \geq 4.5\text{V}$ , $-40^{\circ}\text{C} \leq T_A \leq +85^{\circ}\text{C}$	
D400A	VRL	Output Voltage	1.9	2.048	2.2	V	$V_{DD} \geq 2.7\text{V}$ , $-40^{\circ}\text{C} \leq T_A \leq +125^{\circ}\text{C}$	
	VRH		4.0	4.096	4.3	V	$V_{DD} \geq 4.5\text{V}$ , $-40^{\circ}\text{C} \leq T_A \leq +125^{\circ}\text{C}$	
D404*	IVREFSO	External Load Source	—	—	5	mA		
D405*	IVREFSI	External Load Sink	—	—	-5	mA		
*	CL	External Capacitor Load	—	—	200	pF		
D406*	$\Delta V_{out}/\Delta I_{out}$	VRH Load Regulation	—	0.6	1	mV/mA	$V_{DD} \geq 5\text{V}$	ISOURCE = 0 mA to 5 mA
			—	1	4			ISINK = 0 mA to 5 mA
		VRL Load Regulation	—	0.6	1	$V_{DD} \geq 3\text{V}$	ISOURCE = 0 mA to 5 mA	
			—	2	4		ISINK = 0 mA to 5 mA	

\* These parameters are characterized but not tested.

† Data in "Typ" column is at 5V, 25°C unless otherwise stated. These parameters are for design guidance only and are not tested.

# PIC16C717/770/771

## 15.4.5 A/D CONVERTER MODULE

**TABLE 15-11: PIC16C770/771 AND PIC16LC770/771 A/D CONVERTER CHARACTERISTICS:**

Param. No.	Sym	Characteristic	Min	Typ†	Max	Units	Conditions
A01	NR	Resolution	—	—	12 bits	bit	Min. resolution for A/D is 1 mV, VREF+ = AVDD = 4.096V, VREF- = AVSS = 0V, VREF- ≤ VAIN ≤ VREF+
A03	EIL	Integral error	—	—	±2	LSb	VREF+ = AVDD = 4.096V, VREF- = AVSS = 0V, VREF- ≤ VAIN ≤ VREF+
A04	EDL	Differential error	—	—	+2 -1	LSb	No missing codes to 12 bits VREF+ = AVDD = 4.096V, VREF- = AVSS = 0V, VREF- ≤ VAIN ≤ VREF+
A06	EOFF	Offset error	—	—	±2	LSb	VREF+ = AVDD = 4.096V, VREF- = AVSS = 0V, VREF- ≤ VAIN ≤ VREF+
A07	EGN	Gain Error	—	—	±2	LSb	VREF+ = AVDD = 4.096V, VREF- = AVSS = 0V, VREF- ≤ VAIN ≤ VREF+
A10	—	Monotonicity	—	Note 3	—	—	AVSS ≤ VAIN ≤ VREF+
A20*	VREF	Reference voltage (VREF+ - VREF-)	4.096	—	VDD +0.3V	V	Absolute minimum electrical spec to ensure 12-bit accuracy.
A21*	VREF+	Reference V High (AVDD or VREF+)	VREF-	—	AVDD	V	Min. resolution for A/D is 1 mV
A22*	VREF-	Reference V Low (AVSS or VREF-)	AVSS	—	VREF+	V	Min. resolution for A/D is 1 mV
A25*	VAIN	Analog input voltage	VREFL	—	VREFH	V	
A30*	ZAIN	Recommended impedance of analog voltage source	—	—	2.5	kΩ	
A50*	IREF	VREF input current (Note 2)	—	—	10	μA	During VAIN acquisition. Based on differential of VHOLD to VAIN. To charge CHOLD see Section 11.0. During A/D conversion cycle.

\* These parameters are characterized but not tested.

† Data in "Typ" column is at 5V, 25°C unless otherwise stated. These parameters are for design guidance only and are not tested.

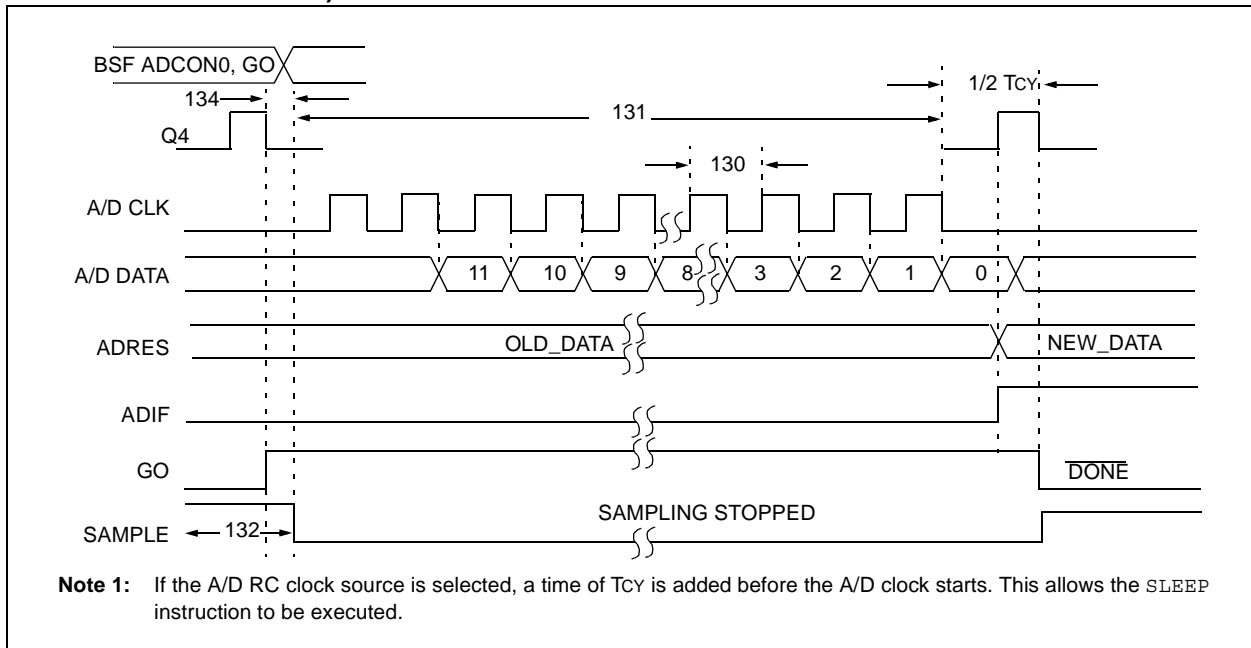
**Note 1:** When A/D is off, it will not consume any current other than minor leakage current. The power-down current spec includes any such leakage from the A/D module.

**2:** VREF input current is from External VREF+, or VREF-, or AVSS, or AVDD pin, whichever is selected as reference input.

**3:** The A/D conversion result never decreases with an increase in the input voltage and has no missing codes.



**FIGURE 15-14: PIC16C770/771 AND PIC16LC770/771 A/D CONVERSION TIMING (NORMAL MODE)**



# PIC16C717/770/771

**TABLE 15-12: PIC16C770/771 AND PIC16LC770/771 A/D CONVERSION REQUIREMENTS (NORMAL MODE)**

Parameter No.	Sym	Characteristic	Min	Typ†	Max	Units	Conditions
130*(3)	TAD	A/D clock period	1.6	—	—	μs	Tosc based, VREF ≥ 2.5V
			3.0	—	—	μs	Tosc based, VREF full range
			3.0	6.0	9.0	μs	ADCS<1:0> = 11 (A/D RC mode) At VDD = 2.5V
			2.0	4.0	6.0	μs	At VDD = 5.0V
131*	TCNV	Conversion time (not including acquisition time) <b>(Note 1)</b>	—	13TAD	—	TAD	
132*	TACQ	Acquisition Time	<b>Note 2</b>	11.5	—	μs	The minimum time is the amplifier settling time. This may be used if the “new” input voltage has not changed by more than 1LSb (i.e., 1mV @ 4.096V) from the last sampled voltage (as stated on CHOLD).
			5*	—	—	μs	
134*	TGO	Q4 to A/D clock start	—	Tosc/2	—	—	

\* These parameters are characterized but not tested.

† Data in “Typ” column is at 5V, 25°C unless otherwise stated. These parameters are for design guidance only and are not tested.

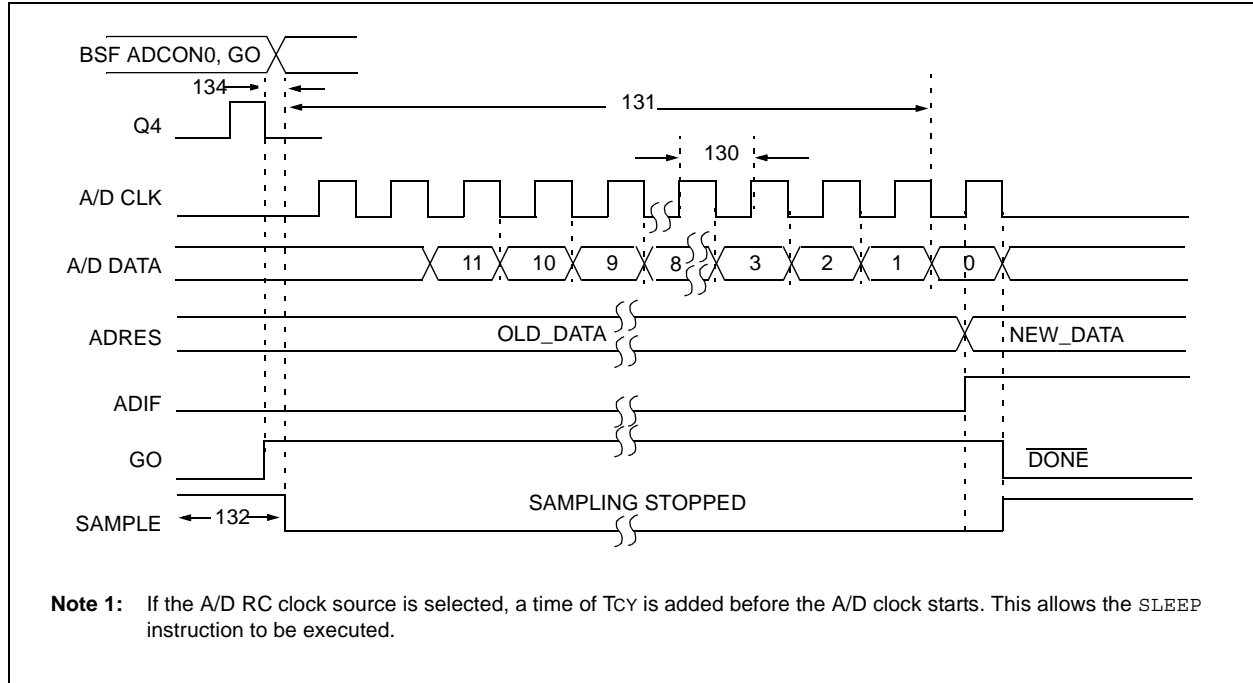
**Note 1:** ADRES register may be read on the following Tcy cycle.

**2:** See Section 11.6 for minimum conditions.

**3:** These numbers multiplied by 8 if VRH or VRL is selected as A/D reference.

# PIC16C717/770/771

**FIGURE 15-15: PIC16C770/771 AND PIC16LC770/771 A/D CONVERSION TIMING (SLEEP MODE)**



**TABLE 15-13: PIC16C770/771 AND PIC16LC770/771 A/D CONVERSION REQUIREMENT (SLEEP MODE)**

Parameter No.	Sym	Characteristic	Min	Typ†	Max	Units	Conditions
130*(3)	TAD	A/D Internal RC oscillator period	3.0 2.0	6.0 4.0	9.0 6.0	$\mu\text{s}$ $\mu\text{s}$	ADCS<1:0> = 11 (RC mode) At $V_{DD} = 3.0\text{V}$ At $V_{DD} = 5.0\text{V}$
131*	TCNV	Conversion time (not including acquisition time) ( <b>Note 1</b> )	—	13TAD	—	—	
132*	TACQ	Acquisition Time	( <b>Note 2</b> ) 5*	11.5 —	— —	$\mu\text{s}$ $\mu\text{s}$	The minimum time is the amplifier settling time. This may be used if the "new" input voltage has not changed by more than 1LSb (i.e., 1mV @ 4.096V) from the last sampled voltage (as stated on CHOLD).
134*	TGO	Q4 to A/D clock start	—	$T_{OSC}/2 + T_{CY}$	—	—	If the A/D clock source is selected as RC, a time of $T_{CY}$ is added before the A/D clock starts. This allows the <code>SLEEP</code> instruction to be executed.

\* These parameters are characterized but not tested.

† Data in "Typ" column is at 5V, 25°C unless otherwise stated. These parameters are for design guidance only and are not tested.

**Note 1:** ADRES register may be read on the following  $T_{CY}$  cycle.

**2:** See Section 11.6 for minimum conditions.

**3:** These numbers multiplied by 8 if  $V_{RH}$  or  $V_{RL}$  is selected as A/D reference.

# PIC16C717/770/771

**TABLE 15-14: PIC16C717 AND PIC16LC717 A/D CONVERTER CHARACTERISTICS:**

Param. No.	Sym	Characteristic	Min	Typ†	Max	Units	Conditions
A01	NR	Resolution	—	—	10 bits	bit	Min. resolution for A/D is 4.1 mV, VREF+ = AVDD = 4.096V, VREF- = AVSS = 0V, VREF- ≤ VAIN ≤ VREF+
A03	EIL	Integral error	—	—	±1	LSb	VREF+ = AVDD = 4.096V, VREF- = AVSS = 0V, VREF- ≤ VAIN ≤ VREF+
A04	EDL	Differential error	—	—	±1	LSb	No missing codes to 10 bits VREF+ = AVDD = 4.096V, VREF- = AVSS = 0V, VREF- ≤ VAIN ≤ VREF+
A06	E0FF	Offset error	—	—	±2	LSb	VREF+ = AVDD = 4.096V, VREF- = AVSS = 0V, VREF- ≤ VAIN ≤ VREF+
A07	EGN	Gain Error	—	—	±1	LSb	VREF+ = AVDD = 4.096V, VREF- = AVSS = 0V, VREF- ≤ VAIN ≤ VREF+
A10	—	Monotonicity	—	Note 3	—	—	AVSS ≤ VAIN ≤ VREF+
A20*	VREF	Reference voltage (VREF+ - VREF-)	4.096	—	VDD +0.3V	V	Absolute minimum electrical spec to ensure 10-bit accuracy.
A21*	VREF+	Reference V High (AVDD or VREF+)	VREF-	—	AVDD	V	Min. resolution for A/D is 4.1 mV
A22*	VREF-	Reference V Low (AVSS or VREF-)	AVSS	—	VREF+	V	Min. resolution for A/D is 4.1 mV
A25*	VAIN	Analog input voltage	VREFL	—	VREFH	V	
A30*	ZAIN	Recommended impedance of analog voltage source	—	—	2.5	kΩ	
A50*	IREF	VREF input current <b>(Note 2)</b>	—	—	10	μA	During VAIN acquisition. Based on differential of VHOLD to VAIN. To charge CHOLD see Section 11.0. During A/D conversion cycle.

\* These parameters are characterized but not tested.

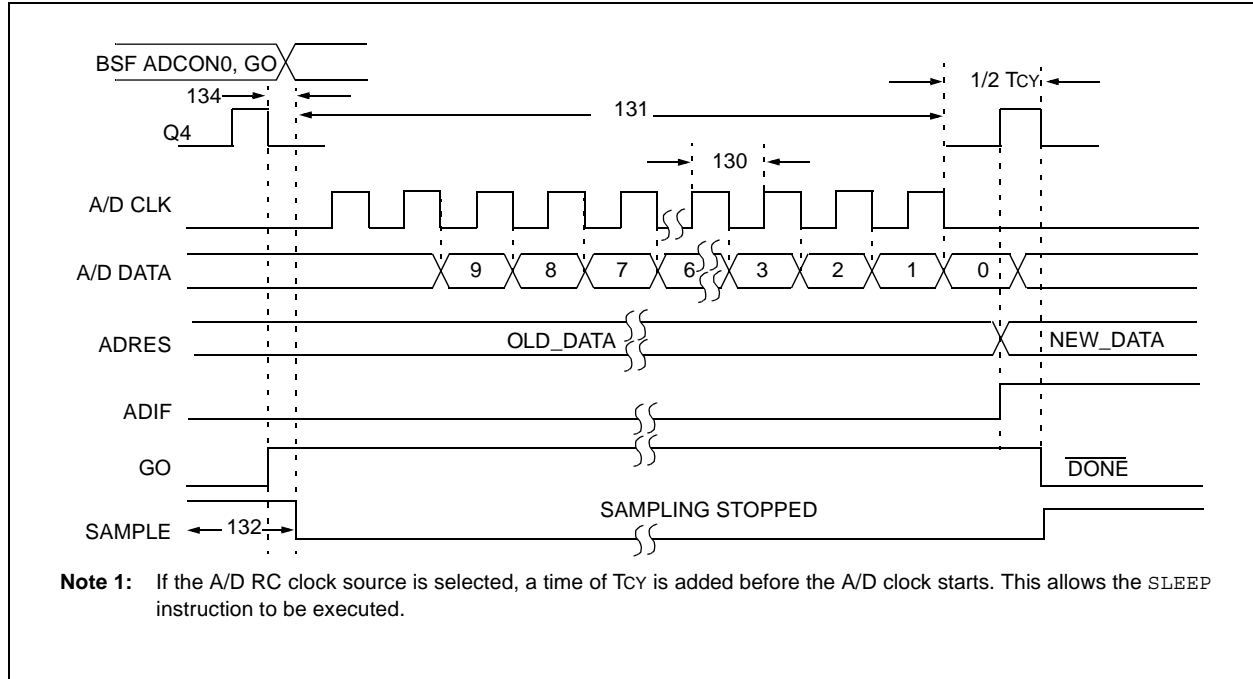
† Data in "Typ" column is at 5V, 25°C unless otherwise stated. These parameters are for design guidance only and are not tested.

**Note 1:** When A/D is off, it will not consume any current other than leakage current. The power-down current spec includes any such leakage from the A/D module.

**2:** VREF current is from External VREF+, or VREF-, or AVSS, or AVDD pin, whichever is selected as reference input.

**3:** The A/D conversion result never decreases with an increase in the input voltage and has no missing codes.

**FIGURE 15-16: PIC16C717 A/D CONVERSION TIMING (NORMAL MODE)**



**TABLE 15-15: PIC16C717 AND PIC16LC717 A/D CONVERSION REQUIREMENT (NORMAL MODE)**

Parameter No.	Sym	Characteristic	Min	Typ†	Max	Units	Conditions
130*(3)	TAD	A/D clock period	1.6	—	—	μs	Tosc based, $V_{REF} \geq 2.5V$
			3.0	—	—	μs	Tosc based, $V_{REF}$ full range
			3.0	6.0	9.0	μs	ADCS<1:0> = 11 (A/D RC mode) At $V_{DD} = 2.5V$
			2.0	4.0	6.0	μs	At $V_{DD} = 5.0V$
131*	TCNV	Conversion time (not including acquisition time) <b>(Note 1)</b>	—	11TAD	—	TAD	
132*	TACQ	Acquisition Time	<b>(Note 2)</b>	11.5	—	μs	The minimum time is the amplifier settling time. This may be used if the "new" input voltage has not changed by more than 1LSb (i.e., 1mV @ 4.096V) from the last sampled voltage (as stated on <code>CHOLD</code> ).
			5*	—	—	μs	
134*	TGO	Q4 to A/D clock start	—	$T_{OSC}/2$	—	—	

\* These parameters are characterized but not tested.

† Data in "Typ" column is at 5V, 25°C unless otherwise stated. These parameters are for design guidance only and are not tested.

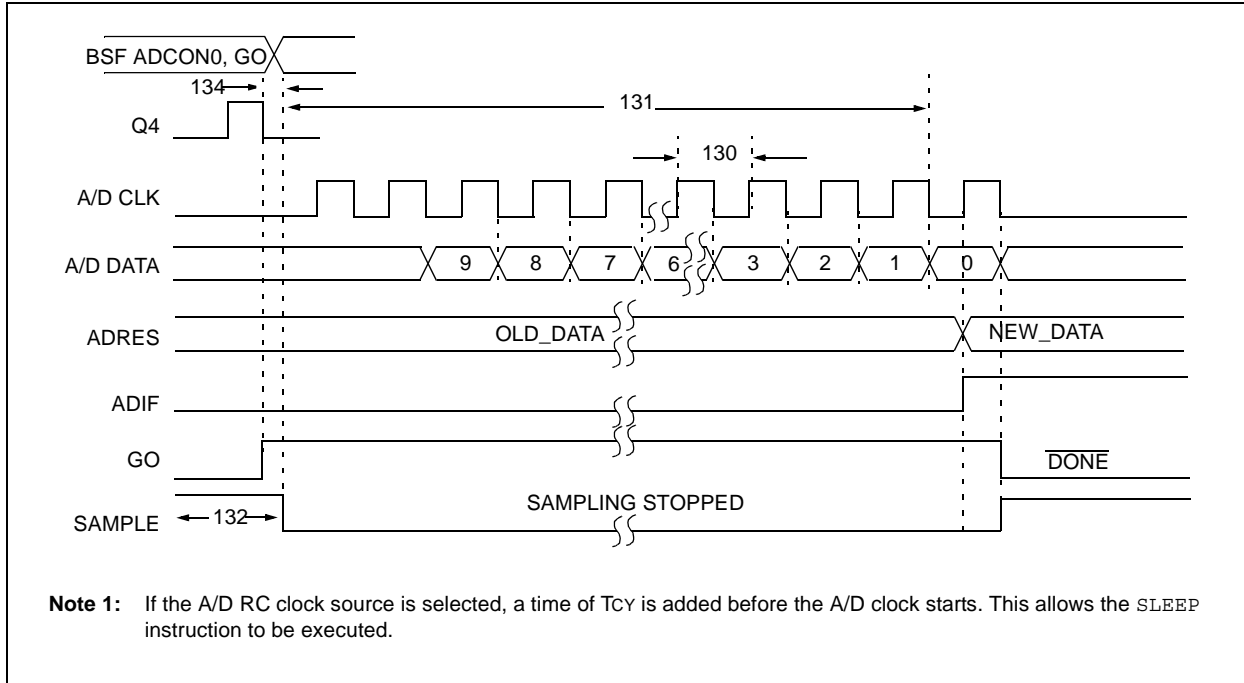
**Note 1:** ADRES register may be read on the following  $T_{CY}$  cycle.

**2:** See Section 11.6 for minimum conditions.

**3:** These numbers multiplied by 8 if  $V_{RH}$  or  $V_{RL}$  is selected as A/D reference.

# PIC16C717/770/771

**FIGURE 15-17: PIC16C717 A/D CONVERSION TIMING (SLEEP MODE)**



**TABLE 15-16: PIC16C717 AND PIC16LC717 A/D CONVERSION REQUIREMENT (SLEEP MODE)**

Parameter No.	Sym	Characteristic	Min	Typ†	Max	Units	Conditions
130 <sup>(3)</sup>	TAD	A/D clock period	3.0	6.0	9.0	$\mu\text{s}$	ADCS<1:0> = 11 (A/D RC mode) At $V_{DD} = 3.0\text{V}$
			2.0	4.0	6.0	$\mu\text{s}$	
131*	TCNV	Conversion time (not including acquisition time) ( <b>Note 1</b> )	—	11TAD	—	—	
132*	TACQ	Acquisition Time	( <b>Note 2</b> )	11.5	—	$\mu\text{s}$	The minimum time is the amplifier settling time. This may be used if the “new” input voltage has not changed by more than 1LSb (i.e., 1mV @ 4.096V) from the last sampled voltage (as stated on CHOLD).
			5*	—	—	$\mu\text{s}$	
134*	TGO	Q4 to A/D clock start	—	$T_{OSC}/2 + T_{CY}$	—	—	If the A/D RC clock source is selected, a time of $T_{CY}$ is added before the A/D clock starts. This allows the <code>SLEEP</code> instruction to be executed.

\* These parameters are characterized but not tested.

† Data in “Typ” column is at 5V, 25°C unless otherwise stated. These parameters are for design guidance only and are not tested.

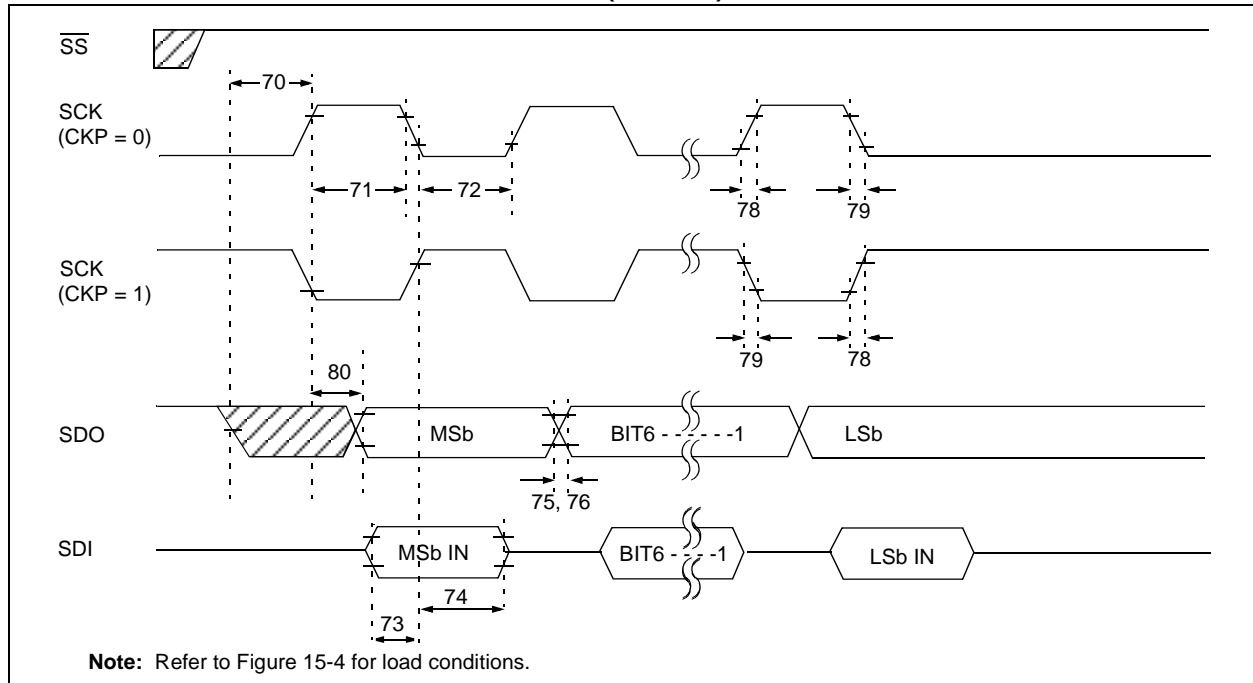
**Note 1:** ADRES register may be read on the following  $T_{CY}$  cycle.

**2:** See Section 11.6 for minimum conditions.

**3:** These numbers multiplied by 8 if  $V_{RH}$  or  $V_{RL}$  is selected as A/D reference.

## 15.5 Master SSP SPI Mode Timing Waveforms and Requirements

**FIGURE 15-18: SPI MASTER MODE TIMING (CKE = 0)**



**TABLE 15-17: SPI MODE REQUIREMENTS (MASTER MODE, CKE = 0)**

Param. No.	Symbol	Characteristic	Min	Typ†	Max	Units	Conditions
70*	TssL2scH, TssL2scL	$\overline{SS}\downarrow$ to SCK $\downarrow$ or SCK $\uparrow$ input	T <sub>CY</sub>	—	—	ns	
71*	Tsch	SCK input high time (Slave mode)	Continuous	1.25T <sub>CY</sub> + 30	—	—	ns
71A*			Single Byte	40	—	—	ns
72*	TscL	SCK input low time (Slave mode)	Continuous	1.25T <sub>CY</sub> + 30	—	—	ns
72A*			Single Byte	40	—	—	ns
73*	TdiV2scH, TdiV2scL	Setup time of SDI data input to SCK edge	100	—	—	ns	
73A*	Tb2B	Last clock edge of Byte1 to the 1st clock edge of Byte2	1.5T <sub>CY</sub> + 40	—	—	ns	<b>Note 1</b>
74*	Tsch2diL, TscL2diL	Hold time of SDI data input to SCK edge	100	—	—	ns	
75*	TdoR	SDO data output rise time	PIC16CXXX	—	10	25	ns
			PIC16LCXXX	—	20	45	ns
76*	TdoF	SDO data output fall time	—	10	25	ns	
78*	TscR	SCK output rise time (Master mode)	PIC16CXXX	—	10	25	ns
			PIC16LCXXX	—	20	45	ns
79*	TscF	SCK output fall time (Master mode)	—	10	25	ns	
80*	Tsch2doV, TscL2doV	SDO data output valid after SCK edge	PIC16CXXX	—	—	50	ns
			PIC16LCXXX	—	—	100	ns

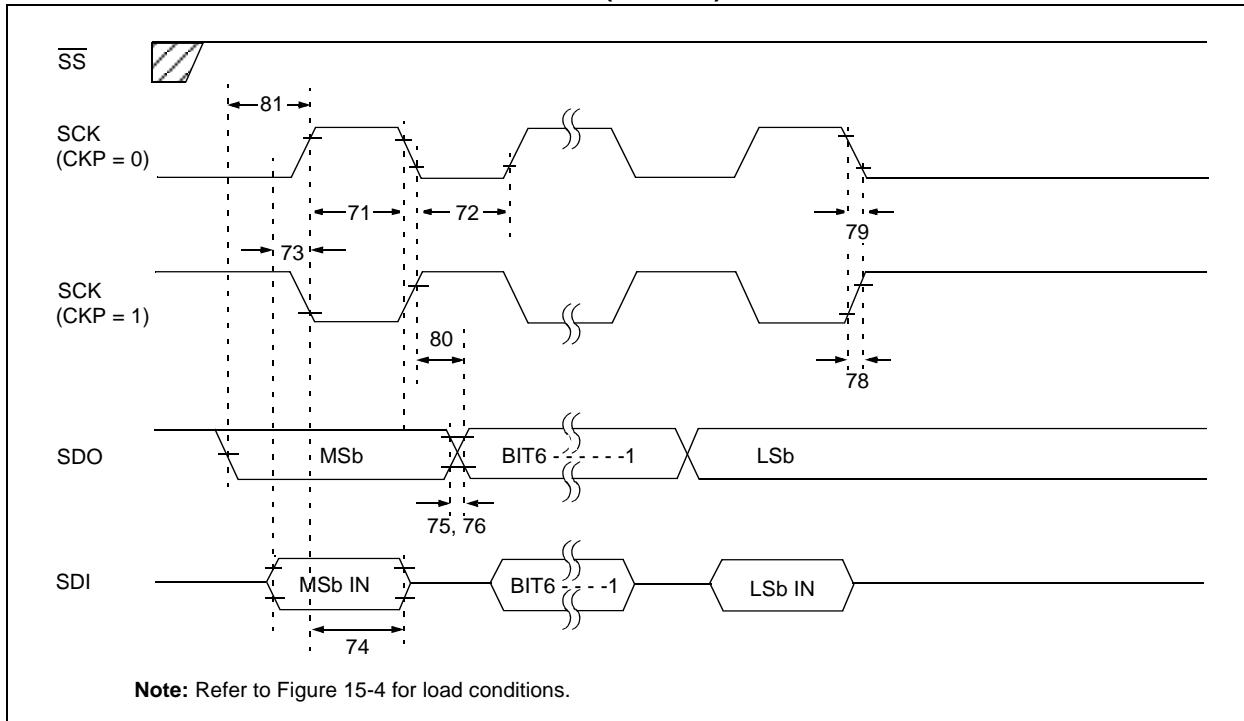
\* These parameters are characterized but not tested.

† Data in "Typ" column is at 5V, 25°C unless otherwise stated. These parameters are for design guidance only and are not tested.

**Note 1:** Specification 73A is only required if specifications 71A and 72A are used.

# PIC16C717/770/771

**FIGURE 15-19: SPI MASTER MODE TIMING (CKE = 1)**



**TABLE 15-18: SPI MODE REQUIREMENTS (MASTER MODE, CKE = 1)**

Param. No.	Symbol	Characteristic	Min	Typ†	Max	Units	Conditions
71*	Tsch	SCK input high time (Slave mode)	Continuous	—	—	ns	
71A*		Single Byte	40	—	—	ns	<b>Note 1</b>
72*	Tscl	SCK input low time (Slave mode)	Continuous	—	—	ns	
72A*		Single Byte	40	—	—	ns	<b>Note 1</b>
73*	TdiV2scH, TdiV2scL	Setup time of SDI data input to SCK edge	100	—	—	ns	
73A*	TB2B	Last clock edge of Byte1 to the 1st clock edge of Byte2	1.5TCY + 40	—	—	ns	<b>Note 1</b>
74*	Tsch2diL, TscL2diL	Hold time of SDI data input to SCK edge	100	—	—	ns	
75*	TdoR	SDO data output rise time	PIC16CXXX	10	25	ns	
			PIC16LCXXX	20	45	ns	
76*	TdoF	SDO data output fall time	—	10	25	ns	
78*	TscR	SCK output rise time (Master mode)	PIC16CXXX	10	25	ns	
			PIC16LCXXX	20	45	ns	
79*	TscF	SCK output fall time (Master mode)	—	10	25	ns	
80*	Tsch2doV, TscL2doV	SDO data output valid after SCK edge	PIC16CXXX	—	50	ns	
			PIC16LCXXX	—	100	ns	
81*	TdoV2scH, TdoV2scL	SDO data output setup to SCK edge	TCY	—	—	ns	

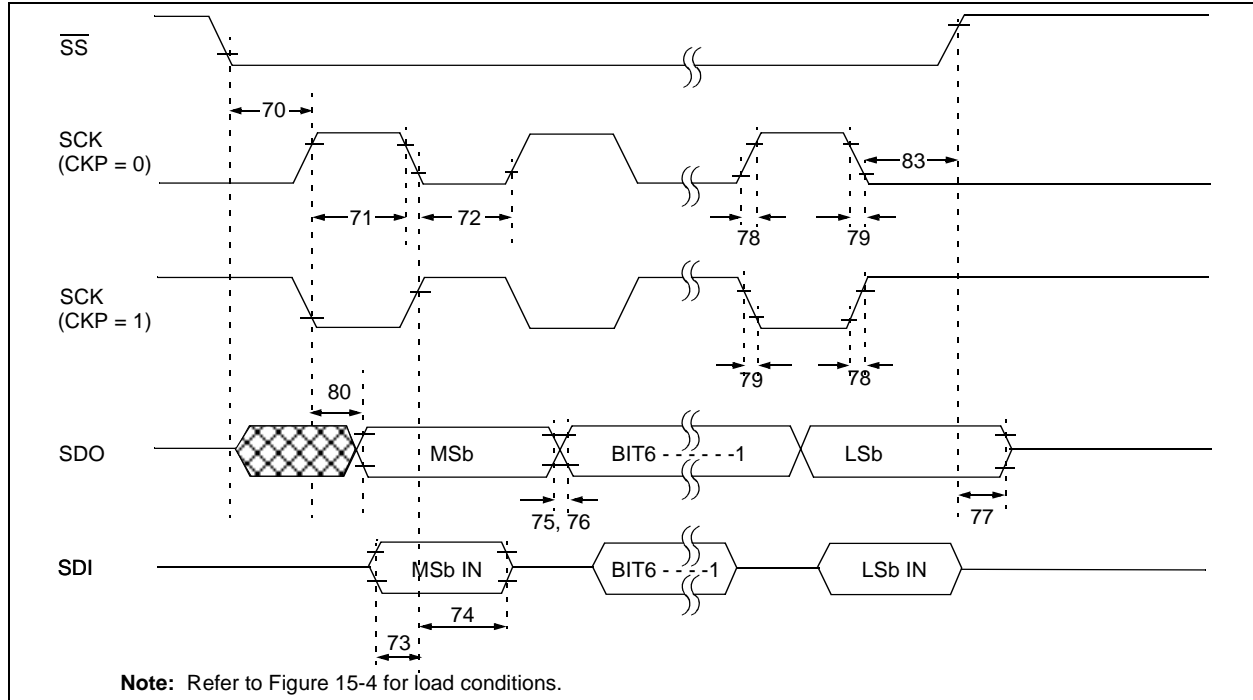
\* These parameters are characterized but not tested.

† Data in "Typ" column is at 5V, 25°C unless otherwise stated. These parameters are for design guidance only and are not tested.

**Note 1:** Specification 73A is only required if specifications 71A and 72A are used.



**FIGURE 15-20: SPI SLAVE MODE TIMING (CKE = 0)**



**TABLE 15-19: SPI MODE REQUIREMENTS (SLAVE MODE TIMING (CKE = 0))**

Param. No.	Symbol	Characteristic	Min	Typ†	Max	Units	Conditions
70*	TssL2scH, TssL2scL	$\overline{SS} \downarrow$ to SCK $\downarrow$ or SCK $\uparrow$ input	T <sub>CY</sub>	—	—	ns	
71*	Tsch	SCK input high time (Slave mode)	Continuous	1.25T <sub>CY</sub> + 30	—	—	ns
71A*			Single Byte	40	—	—	ns
72*	TscL	SCK input low time (Slave mode)	Continuous	1.25T <sub>CY</sub> + 30	—	—	ns
72A*			Single Byte	40	—	—	ns
73*	TdiV2scH, TdiV2scL	Setup time of SDI data input to SCK edge	100	—	—	ns	
73A*	Tb2b	Last clock edge of Byte1 to the 1st clock edge of Byte2	1.5T <sub>CY</sub> + 40	—	—	ns	<b>Note 1</b>
74*	Tsch2diL, TscL2diL	Hold time of SDI data input to SCK edge	100	—	—	ns	
75*	TdoR	SDO data output rise time	PIC16CXXX	—	10	25	ns
			PIC16LCXXX	—	20	45	ns
76*	TdoF	SDO data output fall time	—	10	25	ns	
77*	TssH2doZ	$\overline{SS} \uparrow$ to SDO output hi-impedance	10	—	50	ns	
78*	TscR	SCK output rise time (Master mode)	PIC16CXXX	—	10	25	ns
			PIC16LCXXX	—	20	45	ns
79*	TscF	SCK output fall time (Master mode)	—	10	25	ns	
80*	Tsch2doV, TscL2doV	SDO data output valid after SCK edge	PIC16CXXX	—	—	50	ns
			PIC16LCXXX	—	—	100	ns
83*	Tsch2ssH, TscL2ssH	$\overline{SS} \uparrow$ after SCK edge	1.5T <sub>CY</sub> + 40	—	—	ns	

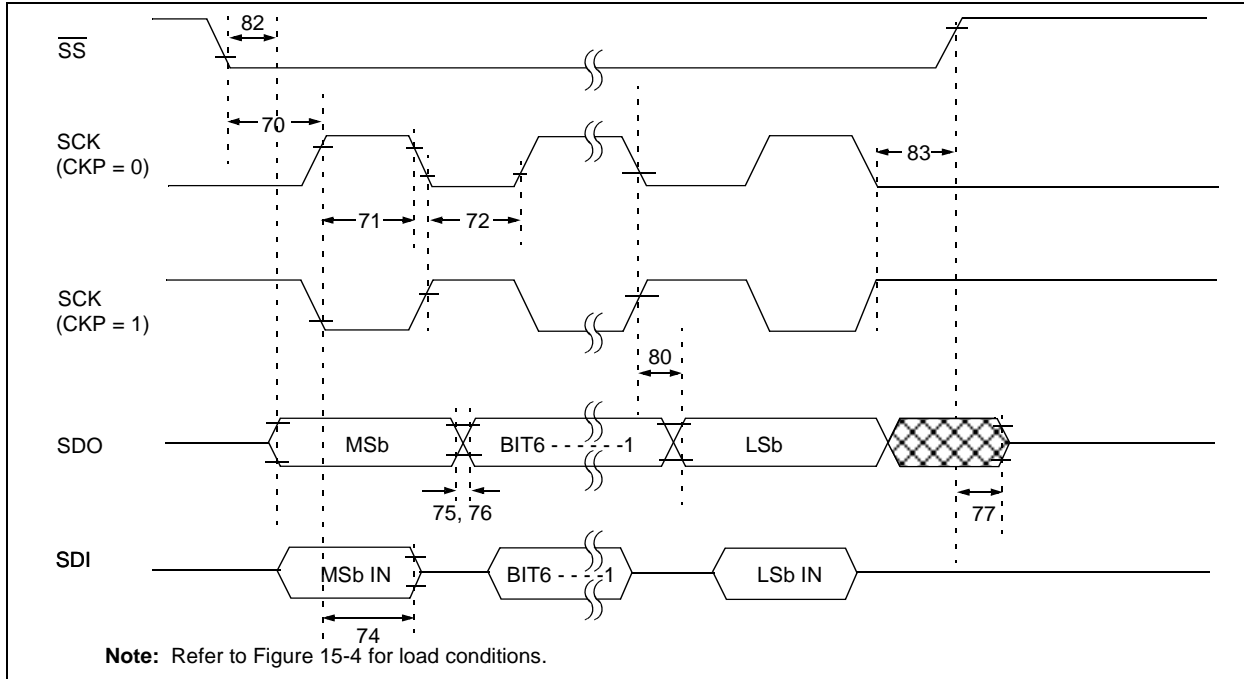
\* These parameters are characterized but not tested.

† Data in "Typ" column is at 5V, 25°C unless otherwise stated. These parameters are for design guidance only and are not tested.

**Note 1:** Specification 73A is only required if specifications 71A and 72A are used.

# PIC16C717/770/771

**FIGURE 15-21: SPI SLAVE MODE TIMING (CKE = 1)**



**TABLE 15-20: SPI SLAVE MODE REQUIREMENTS (CKE = 1)**

Param. No.	Symbol	Characteristic	Min	Typ†	Max	Units	Conditions
70*	TssL2scH, TssL2scL	$\overline{SS} \downarrow$ to SCK $\downarrow$ or SCK $\uparrow$ input	T <sub>CY</sub>	—	—	ns	
71*	TscH	SCK input high time (Slave mode)	Continuous	1.25T <sub>CY</sub> + 30	—	—	ns
71A*			Single Byte	40	—	—	ns
72*	TscL	SCK input low time (Slave mode)	Continuous	1.25T <sub>CY</sub> + 30	—	—	ns
72A*			Single Byte	40	—	—	ns
73A*	Tb2B	Last clock edge of Byte1 to the 1st clock edge of Byte2	1.5T <sub>CY</sub> + 40	—	—	ns	<b>Note 1</b>
74*	Tsch2diL, TscL2diL	Hold time of SDI data input to SCK edge	100	—	—	ns	
75*	TdoR	SDO data output rise time	PIC16CXXX	—	10	25	ns
76*			PIC16LCXXX	—	20	45	ns
76*	TdoF	SDO data output fall time	—	10	25	ns	
77*	TssH2doZ	$\overline{SS} \uparrow$ to SDO output hi-impedance	10	—	50	ns	
78*	TscR	SCK output rise time (Master mode)	PIC16CXXX	—	10	25	ns
79*			PIC16LCXXX	—	20	45	ns
79*	TscF	SCK output fall time (Master mode)	—	10	25	ns	
80*	Tsch2doV, TscL2doV	SDO data output valid after SCK edge	PIC16CXXX	—	—	50	ns
82*			PIC16LCXXX	—	—	100	ns
82*	TssL2doV	SDO data output valid after $\overline{SS} \downarrow$ edge	PIC16CXXX	—	—	50	ns
83*			PIC16LCXXX	—	—	100	ns
83*	Tsch2ssH, TscL2ssH	$\overline{SS} \uparrow$ after SCK edge	1.5T <sub>CY</sub> + 40	—	—	ns	

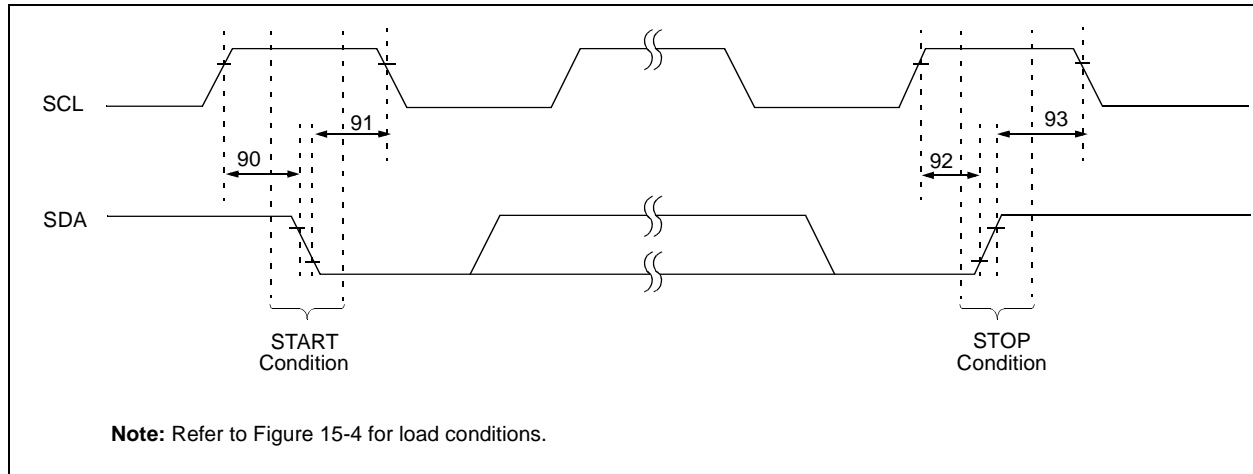
\* These parameters are characterized but not tested.

† Data in "Typ" column is at 5V, 25°C unless otherwise stated. These parameters are for design guidance only and are not tested.

**Note 1:** Specification 73A is only required if specifications 71A and 72A are used.

## 15.6 Master SSP I<sup>2</sup>C Mode Timing Waveforms and Requirements

**FIGURE 15-22: MASTER SSP I<sup>2</sup>C BUS START/STOP BITS TIMING WAVEFORMS**



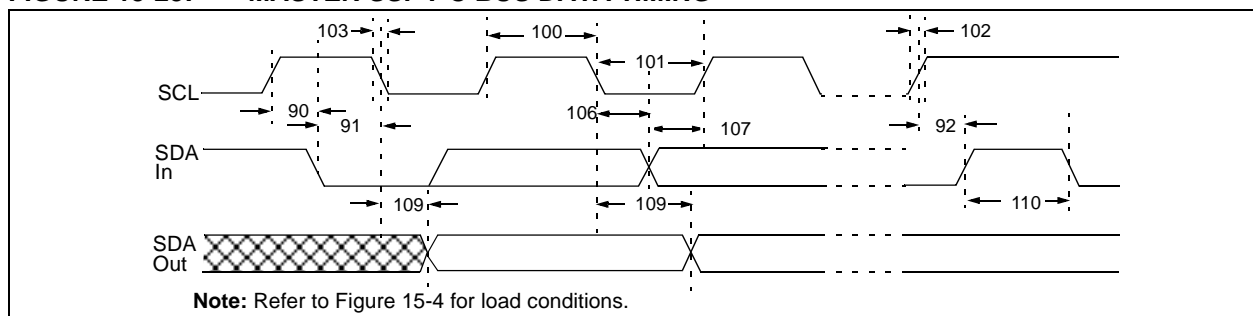
**TABLE 15-21: MASTER SSP I<sup>2</sup>C BUS START/STOP BITS REQUIREMENTS**

Param. No.	Symbol	Characteristic		Min	Typ	Max	Units	Conditions
90*	TSU:STA	START condition Setup time	100 kHz mode	$2(T_{osc})(BRG + 1)$	—	—	ns	Only relevant for a Repeated START condition
			400 kHz mode	$2(T_{osc})(BRG + 1)$	—	—		
			1 MHz mode <sup>(1)</sup>	$2(T_{osc})(BRG + 1)$	—	—		
91*	THD:STA	START condition Hold time	100 kHz mode	$2(T_{osc})(BRG + 1)$	—	—	ns	After this period the first clock pulse is generated
			400 kHz mode	$2(T_{osc})(BRG + 1)$	—	—		
			1 MHz mode <sup>(1)</sup>	$2(T_{osc})(BRG + 1)$	—	—		
92*	TSU:STO	STOP condition Setup time	100 kHz mode	$2(T_{osc})(BRG + 1)$	—	—	ns	
			400 kHz mode	$2(T_{osc})(BRG + 1)$	—	—		
			1 MHz mode <sup>(1)</sup>	$2(T_{osc})(BRG + 1)$	—	—		
93*	THD:STO	STOP condition Hold time	100 kHz mode	$2(T_{osc})(BRG + 1)$	—	—	ns	
			400 kHz mode	$2(T_{osc})(BRG + 1)$	—	—		
			1 MHz mode <sup>(1)</sup>	$2(T_{osc})(BRG + 1)$	—	—		

\* These parameters are characterized but not tested. For the value required by the I<sup>2</sup>C specification, please refer to the PICmicro™ Mid-Range MCU Family Reference Manual (DS33023).

Maximum pin capacitance = 10 pF for all I<sup>2</sup>C pins.

**FIGURE 15-23: MASTER SSP I<sup>2</sup>C BUS DATA TIMING**



# PIC16C717/770/771

**TABLE 15-22: MASTER SSP I<sup>2</sup>C BUS DATA REQUIREMENTS**

Param. No.	Symbol	Characteristic	Min	Max	Units	Conditions
100*	THIGH	Clock high time	100 kHz mode	2(Tosc)(BRG + 1)	—	ms
			400 kHz mode	2(Tosc)(BRG + 1)	—	ms
			1 MHz mode <sup>(1)</sup>	2(Tosc)(BRG + 1)	—	ms
101*	TLOW	Clock low time	100 kHz mode	2(Tosc)(BRG + 1)	—	ms
			400 kHz mode	2(Tosc)(BRG + 1)	—	ms
			1 MHz mode <sup>(1)</sup>	2(Tosc)(BRG + 1)	—	ms
102*	TR	SDA and SCL rise time	100 kHz mode	—	1000	ns
			400 kHz mode	20 + 0.1Cb	300	ns
			1 MHz mode <sup>(1)</sup>	—	300	ns
103*	TF	SDA and SCL fall time	100 kHz mode	—	300	ns
			400 kHz mode	20 + 0.1Cb	300	ns
			1 MHz mode <sup>(1)</sup>	—	100	ns
90*	TSU:STA	START condition setup time	100 kHz mode	2(Tosc)(BRG + 1)	—	ms
			400 kHz mode	2(Tosc)(BRG + 1)	—	ms
			1 MHz mode <sup>(1)</sup>	2(Tosc)(BRG + 1)	—	ms
91*	THD:STA	START condition hold time	100 kHz mode	2(Tosc)(BRG + 1)	—	ms
			400 kHz mode	2(Tosc)(BRG + 1)	—	ms
			1 MHz mode <sup>(1)</sup>	2(Tosc)(BRG + 1)	—	ms
106*	THD:DAT	Data input hold time	100 kHz mode	0	—	ns
			400 kHz mode	0	0.9	ms
			1 MHz mode <sup>(1)</sup>	TBD	—	ns
107*	TSU:DAT	Data input setup time	100 kHz mode	250	—	ns
			400 kHz mode	100	—	ns
			1 MHz mode <sup>(1)</sup>	TBD	—	ns
92*	TSU:STO	STOP condition setup time	100 kHz mode	2(Tosc)(BRG + 1)	—	ms
			400 kHz mode	2(Tosc)(BRG + 1)	—	ms
			1 MHz mode <sup>(1)</sup>	2(Tosc)(BRG + 1)	—	ms
109*	TAA	Output valid from clock	100 kHz mode	—	3500	ns
			400 kHz mode	—	1000	ns
			1 MHz mode <sup>(1)</sup>	—	—	ns
110	TBUF	Bus free time	100 kHz mode	4.7 ‡	—	ms
			400 kHz mode	1.3 ‡	—	ms
			1 MHz mode <sup>(1)</sup>	TBD‡	—	ms
D102 ‡	Cb	Bus capacitive loading	—	400	pF	

\* These parameters are characterized but not tested. For the value required by the I<sup>2</sup>C specification, please refer to the PICmicro™ Mid-Range MCU Family Reference Manual (DS33023).

‡ These parameters are for design guidance only and are not tested, nor characterized.

**Note 1:** Maximum pin capacitance = 10 pF for all I<sup>2</sup>C pins.

**Note 2:** A Fast mode I<sup>2</sup>C bus device can be used in a Standard mode I<sup>2</sup>C bus system, but (TSU:DAT) ≥ 250 ns must then be met. This will automatically be the case if the device does not stretch the LOW period of the SCL signal. If such a device does stretch the LOW period of the SCL signal, it must output the next data bit to the SDA line.  
[(TR) + (TSU:DAT) = 1000 + 250 = 1250 ns], for 100 kHz mode, before the SCL line is released.

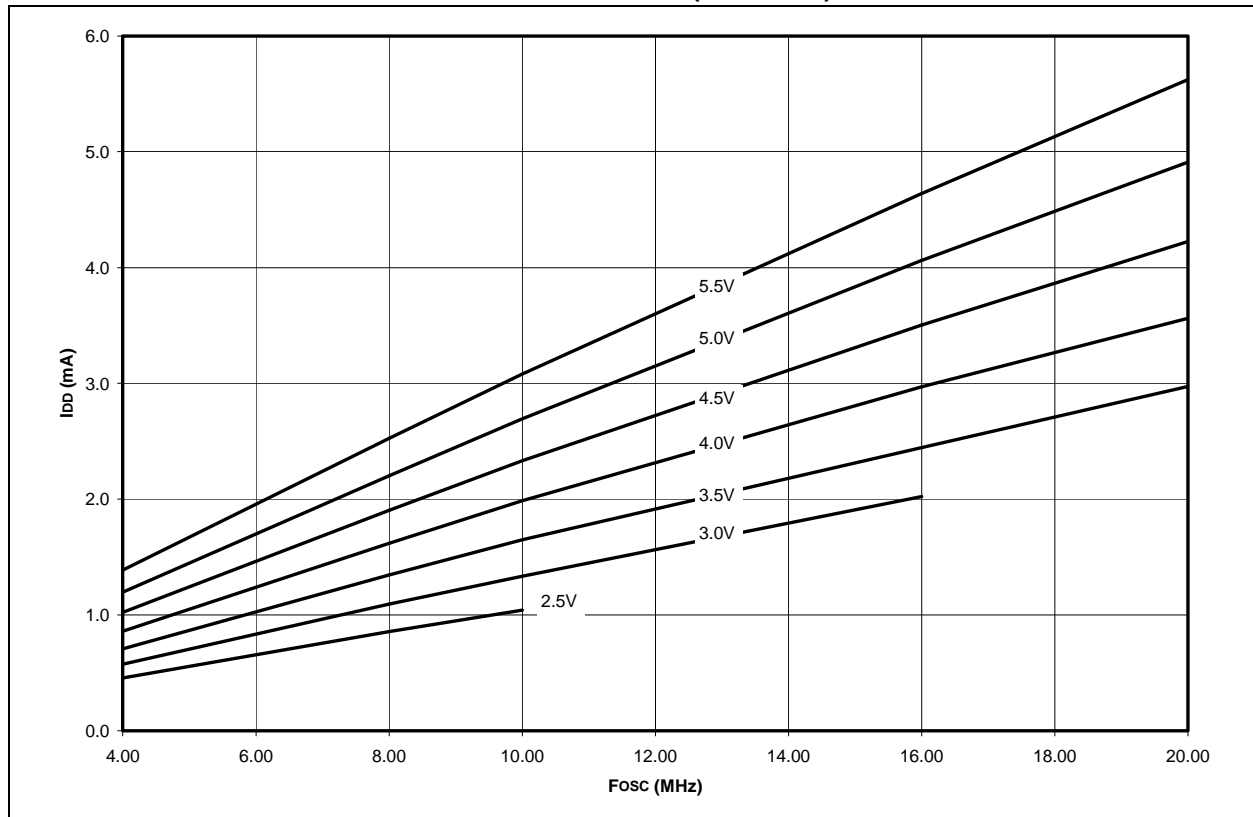
## 16.0 DC AND AC CHARACTERISTICS GRAPHS AND TABLES

The graphs and tables provided following this note are a statistical summary based on a limited number of samples and are provided for informational purposes only. The performance characteristics listed herein are not tested or guaranteed. In some graphs or tables, the data presented may be outside the specified operating range (e.g., outside specified power supply range) and therefore outside the warranted range.

“Typical” represents the mean of the distribution at 25°C. “Maximum” or “minimum” represents (mean + 3σ) or (mean - 3σ) respectively, where σ is a standard deviation, over the whole temperature range.

The Fosc IDD was determined using an external sinusoidal clock source with a peak amplitude ranging from Vss to VDD.

**FIGURE 16-1: MAXIMUM IDD VS. Fosc OVER VDD (HS MODE)**



# PIC16C717/770/771

FIGURE 16-2: TYPICAL  $I_{DD}$  VS.  $F_{osc}$  OVER  $V_{DD}$  (HS MODE)

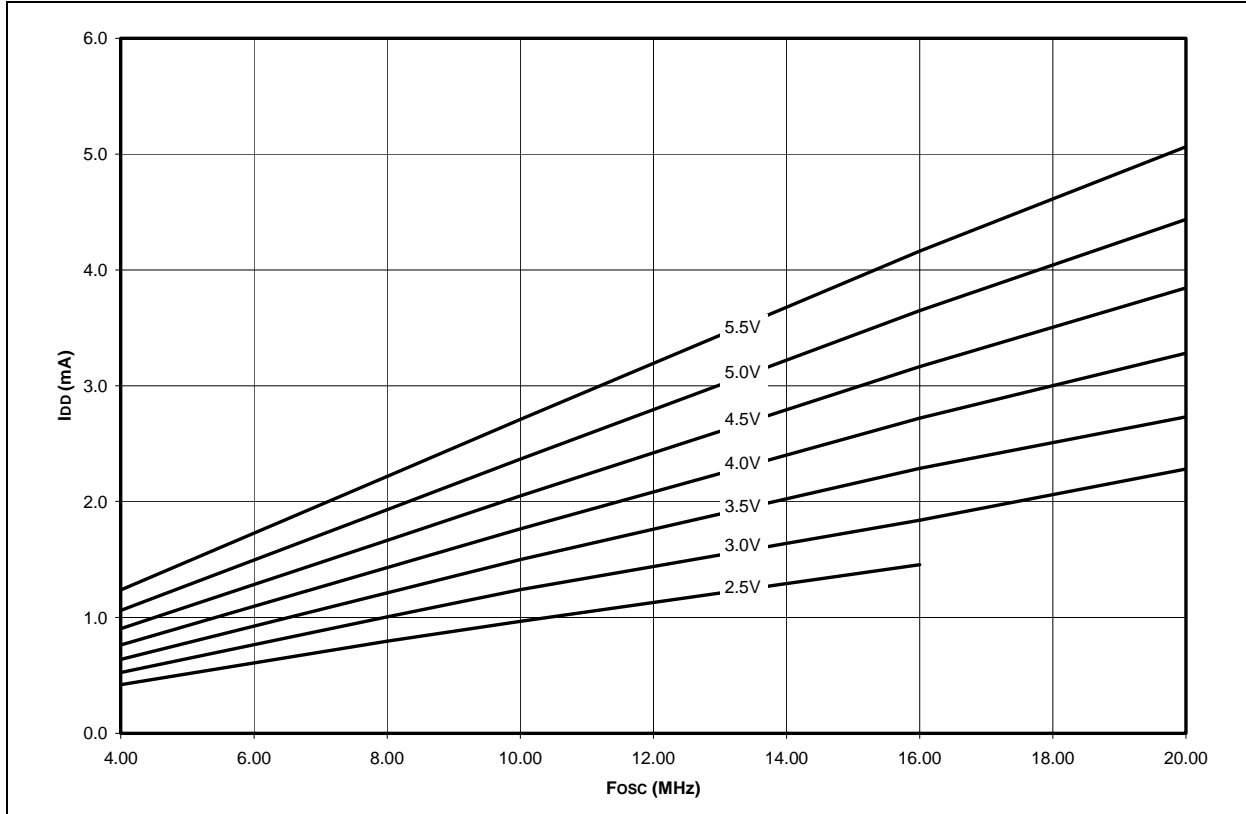
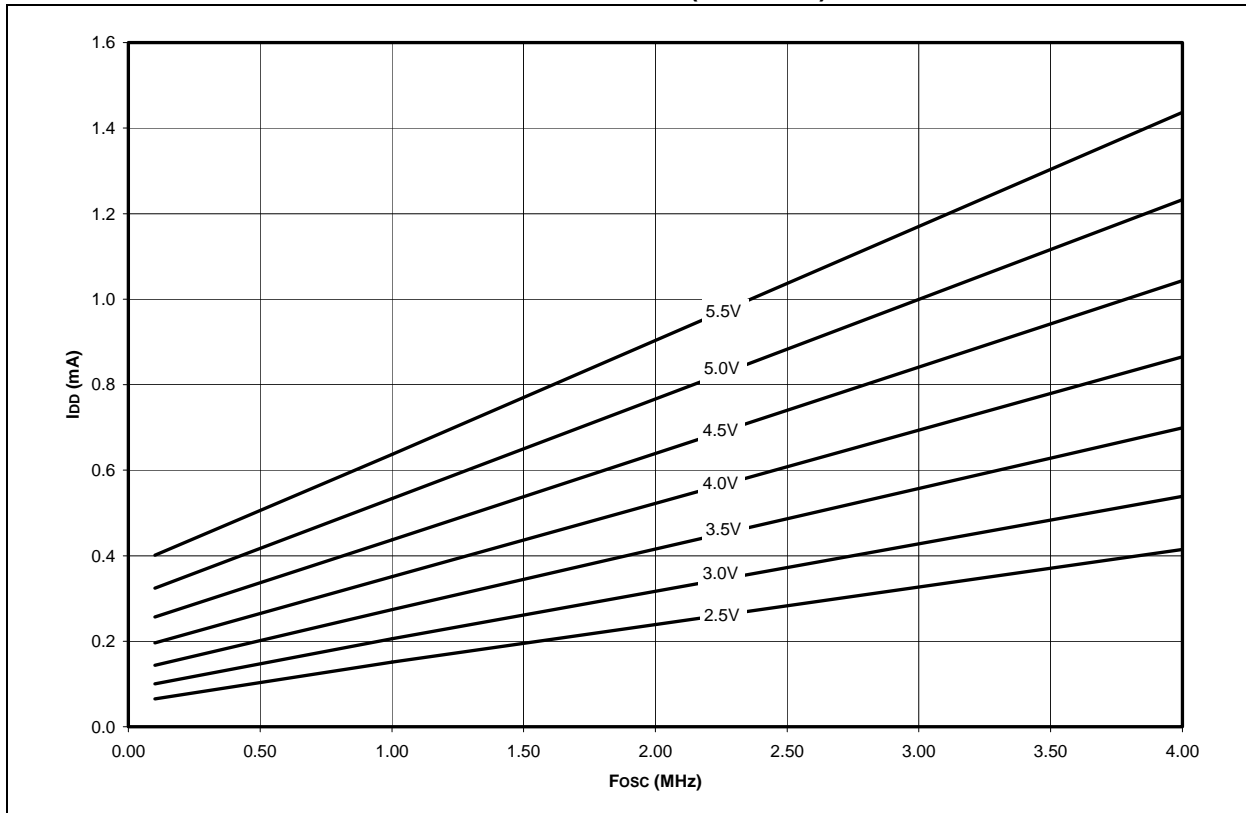
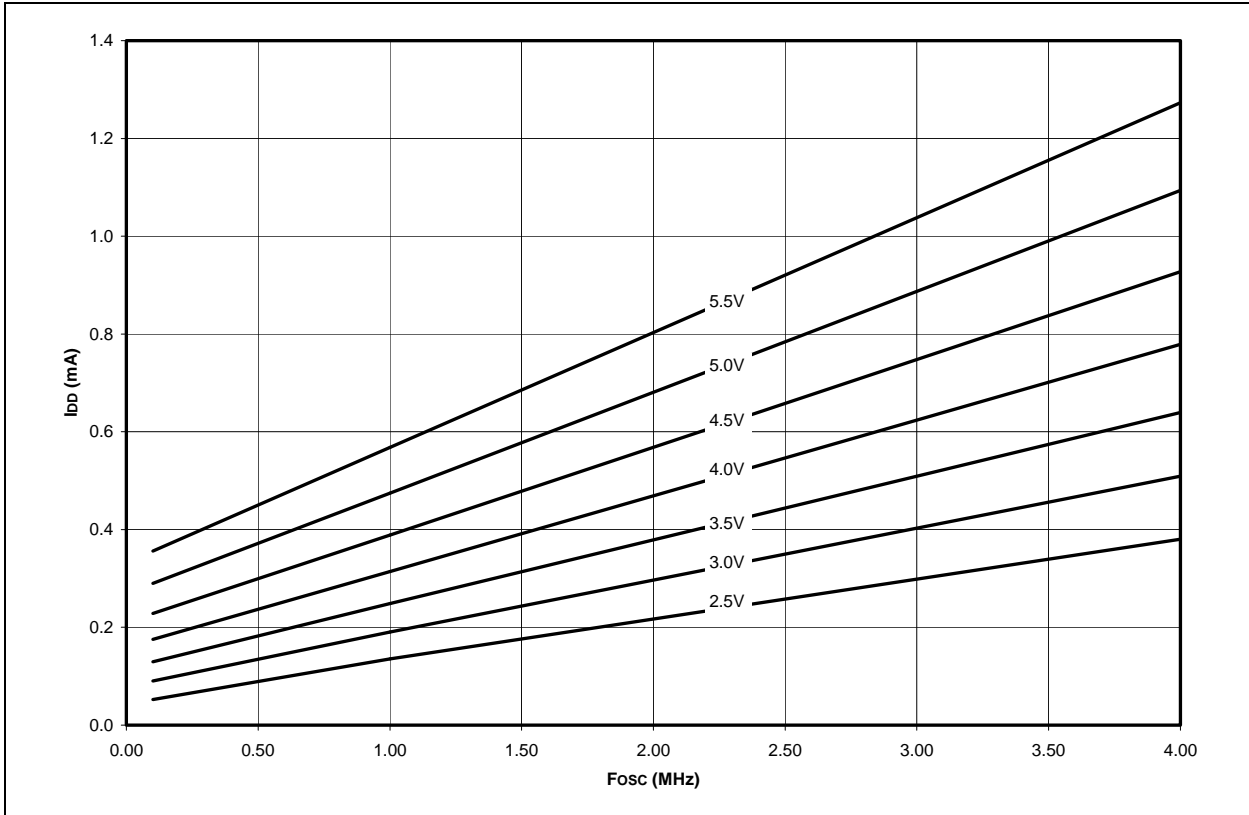


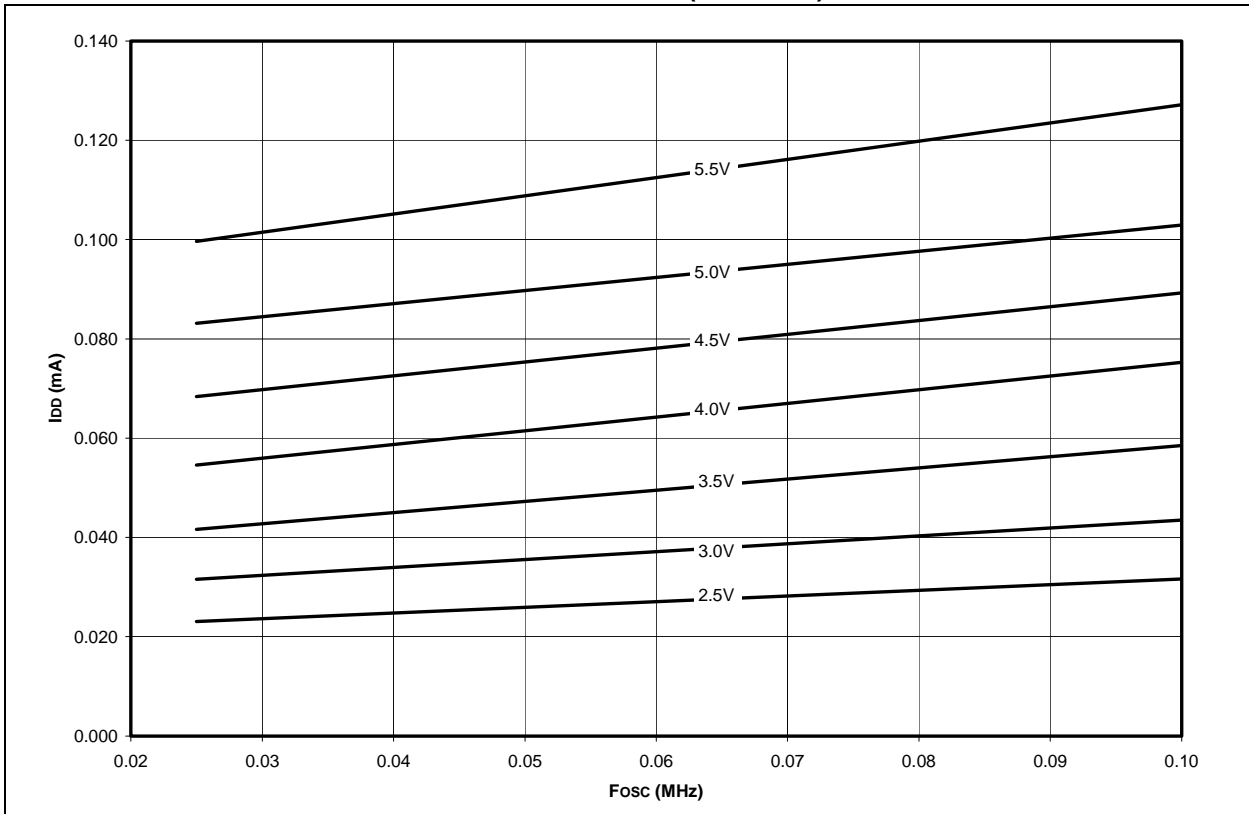
FIGURE 16-3: MAXIMUM  $I_{DD}$  VS.  $F_{osc}$  OVER  $V_{DD}$  (XT MODE)



**FIGURE 16-4: TYPICAL  $I_{DD}$  VS.  $F_{osc}$  OVER  $V_{DD}$  (XT MODE)**



**FIGURE 16-5: MAXIMUM  $I_{DD}$  VS.  $F_{osc}$  OVER  $V_{DD}$  (LP MODE)**



# PIC16C717/770/771

FIGURE 16-6: TYPICAL  $I_{DD}$  VS.  $F_{osc}$  OVER  $V_{DD}$  (LP MODE)

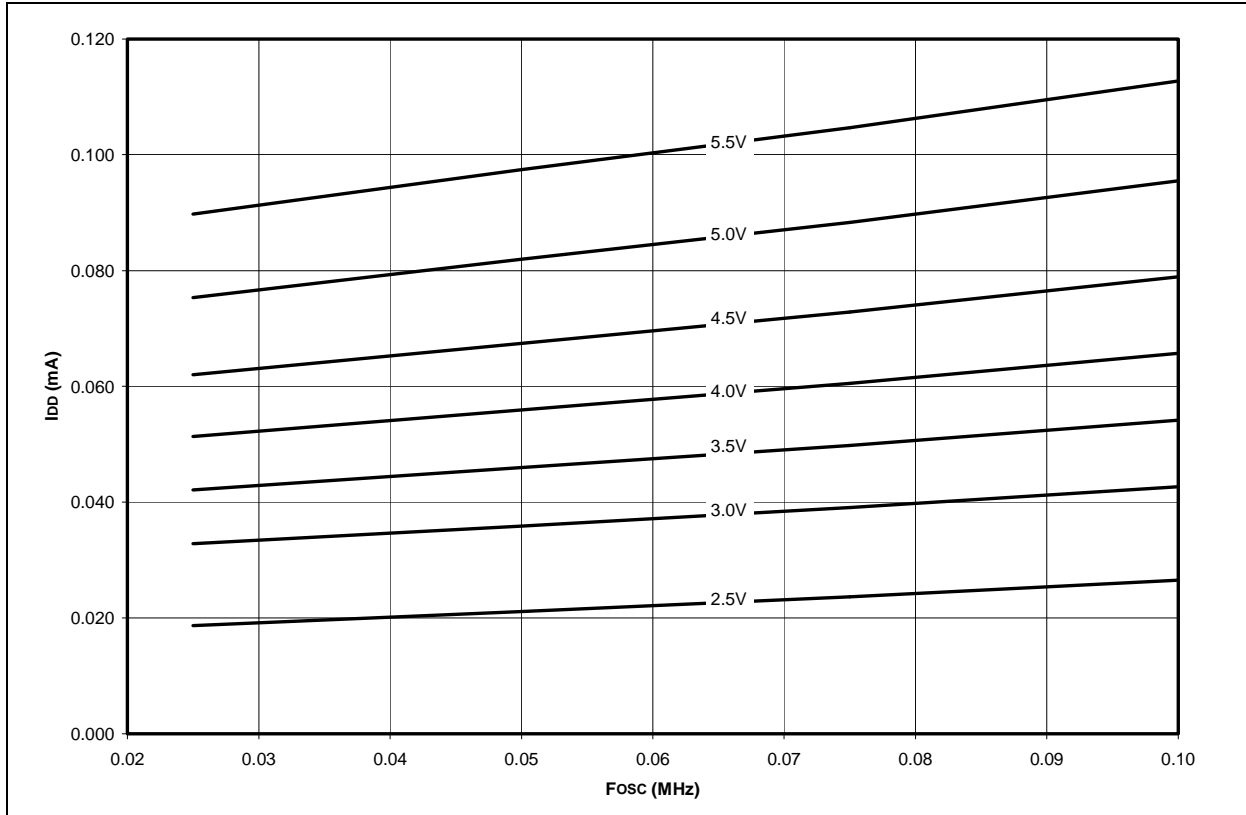
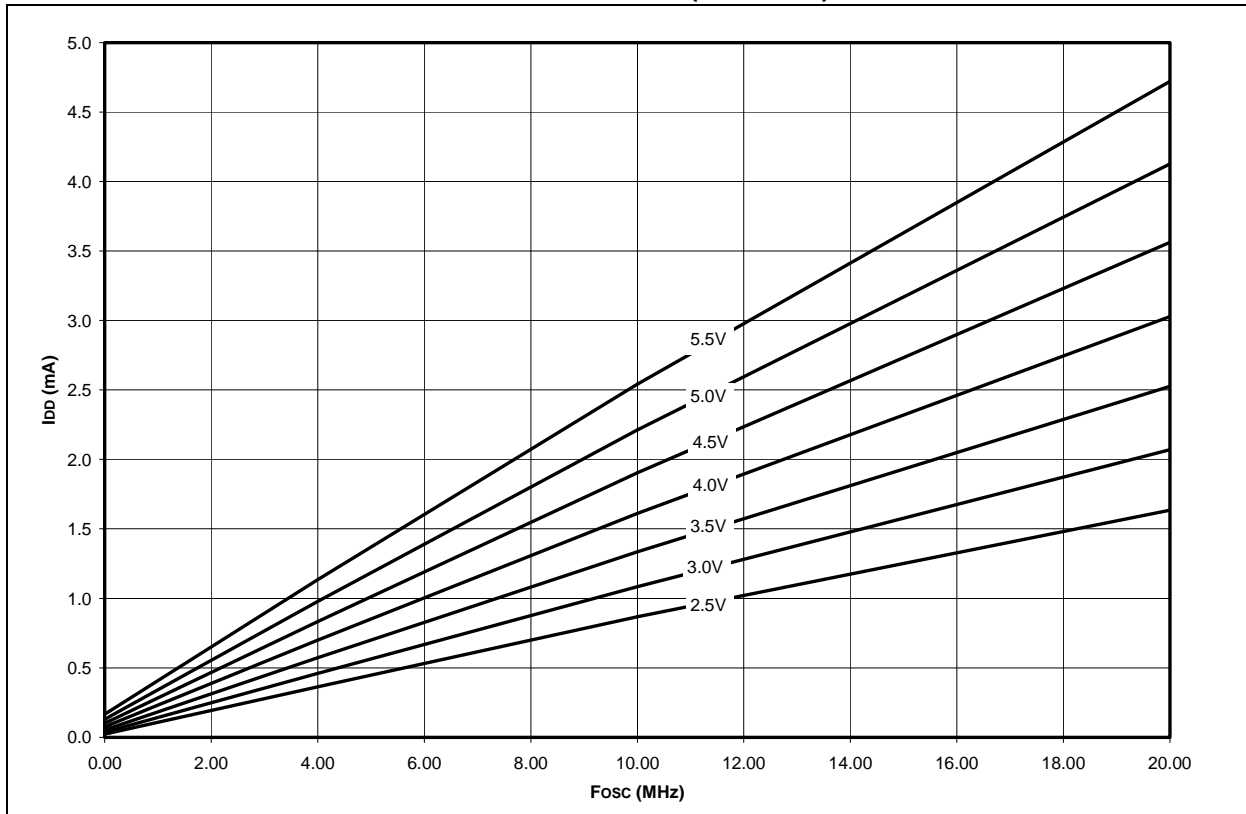
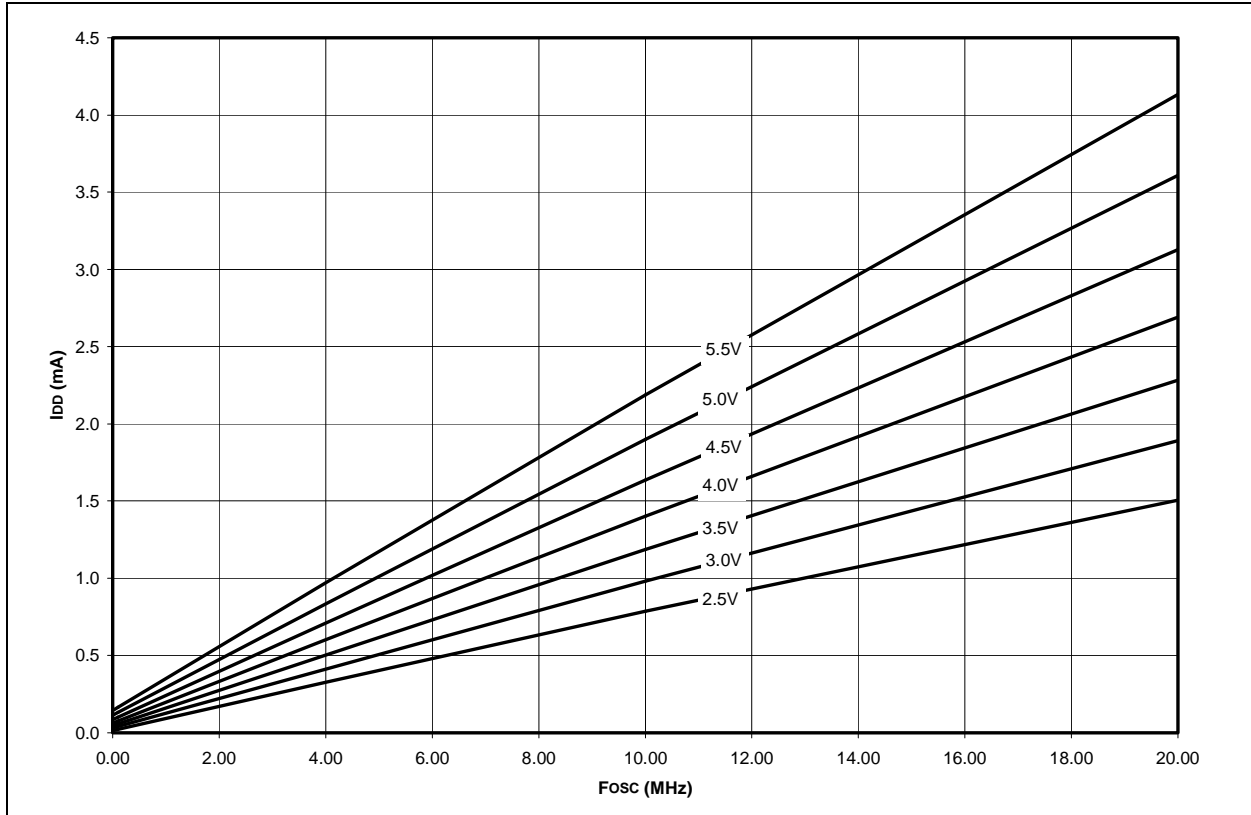


FIGURE 16-7: MAXIMUM  $I_{DD}$  VS.  $F_{osc}$  OVER  $V_{DD}$  (EC MODE)

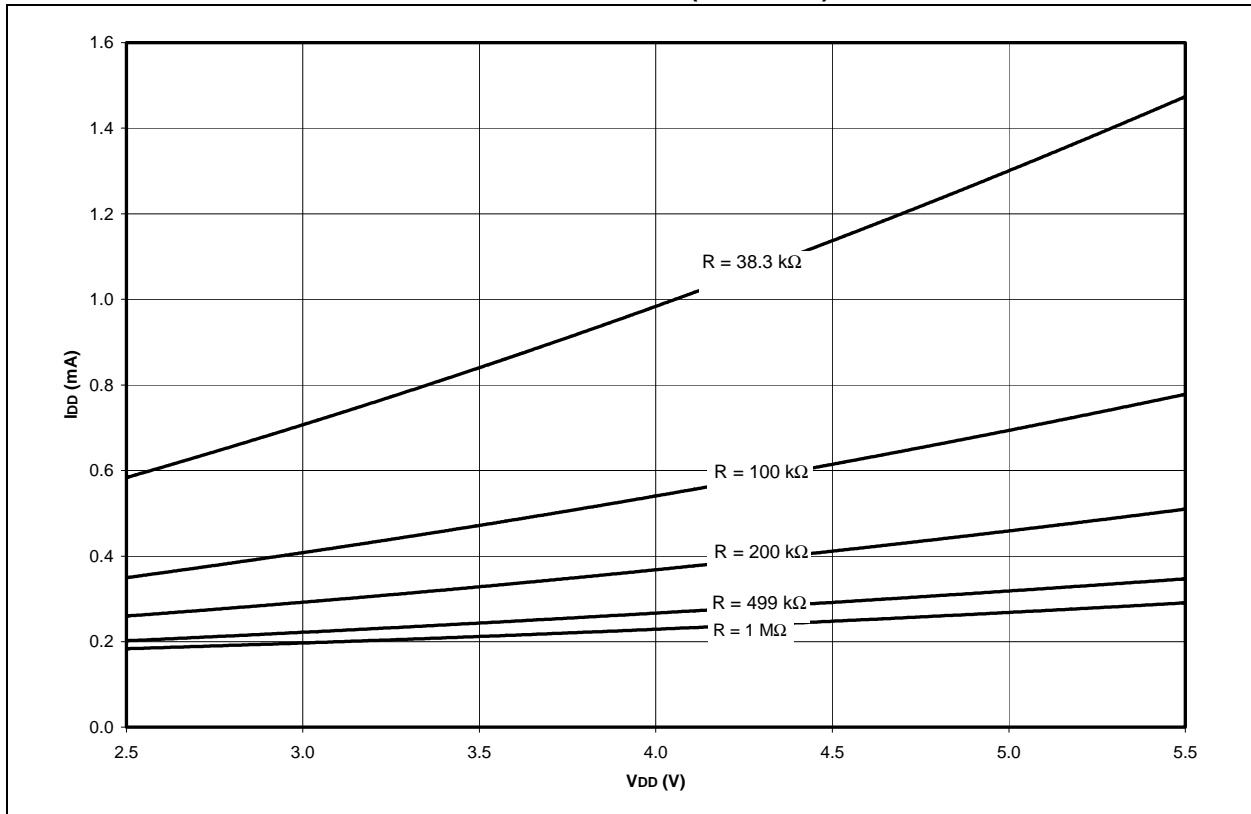




**FIGURE 16-8: TYPICAL  $I_{DD}$  VS.  $F_{osc}$  OVER  $V_{DD}$  (EC MODE)**



**FIGURE 16-9: MAXIMUM  $I_{DD}$  VS.  $F_{osc}$  OVER  $V_{DD}$  (ER MODE)**



# PIC16C717/770/771

FIGURE 16-10: TYPICAL  $I_{DD}$  VS.  $F_{osc}$  OVER  $V_{DD}$  (ER MODE)

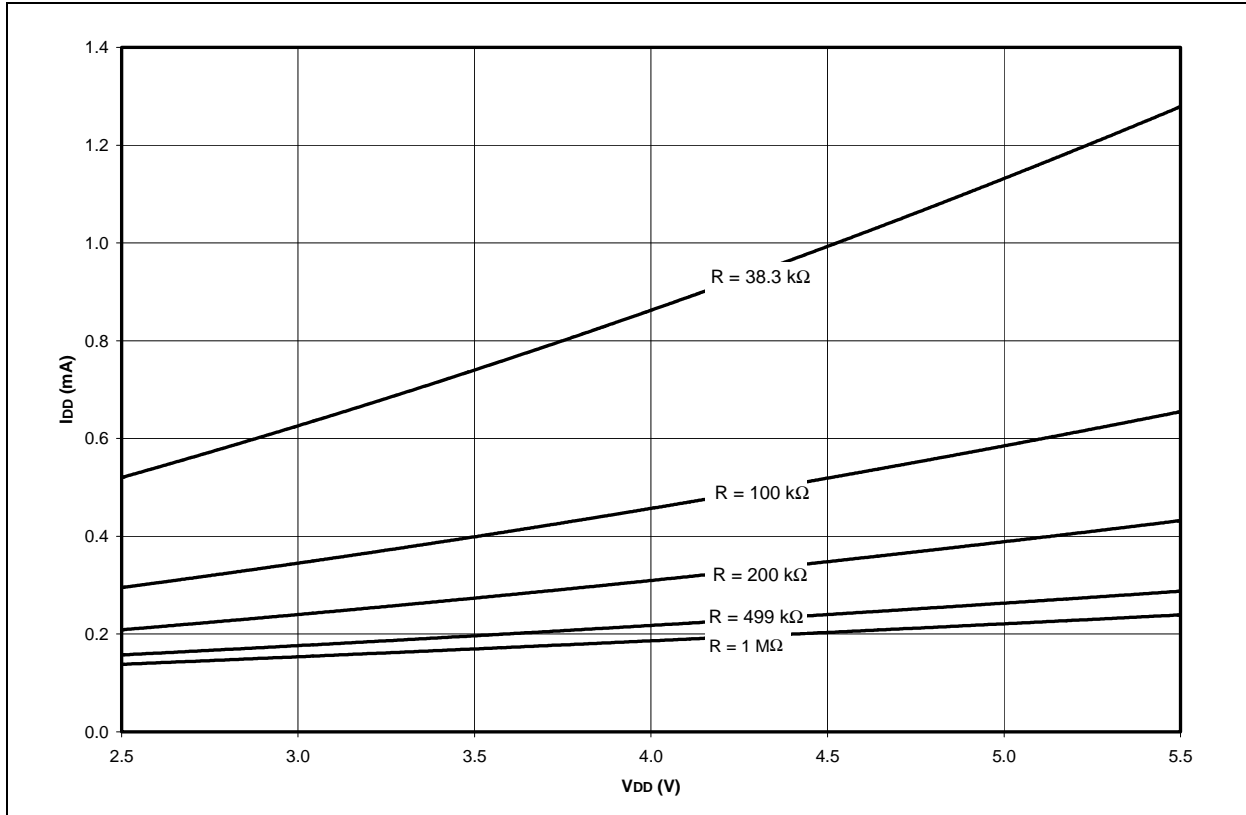
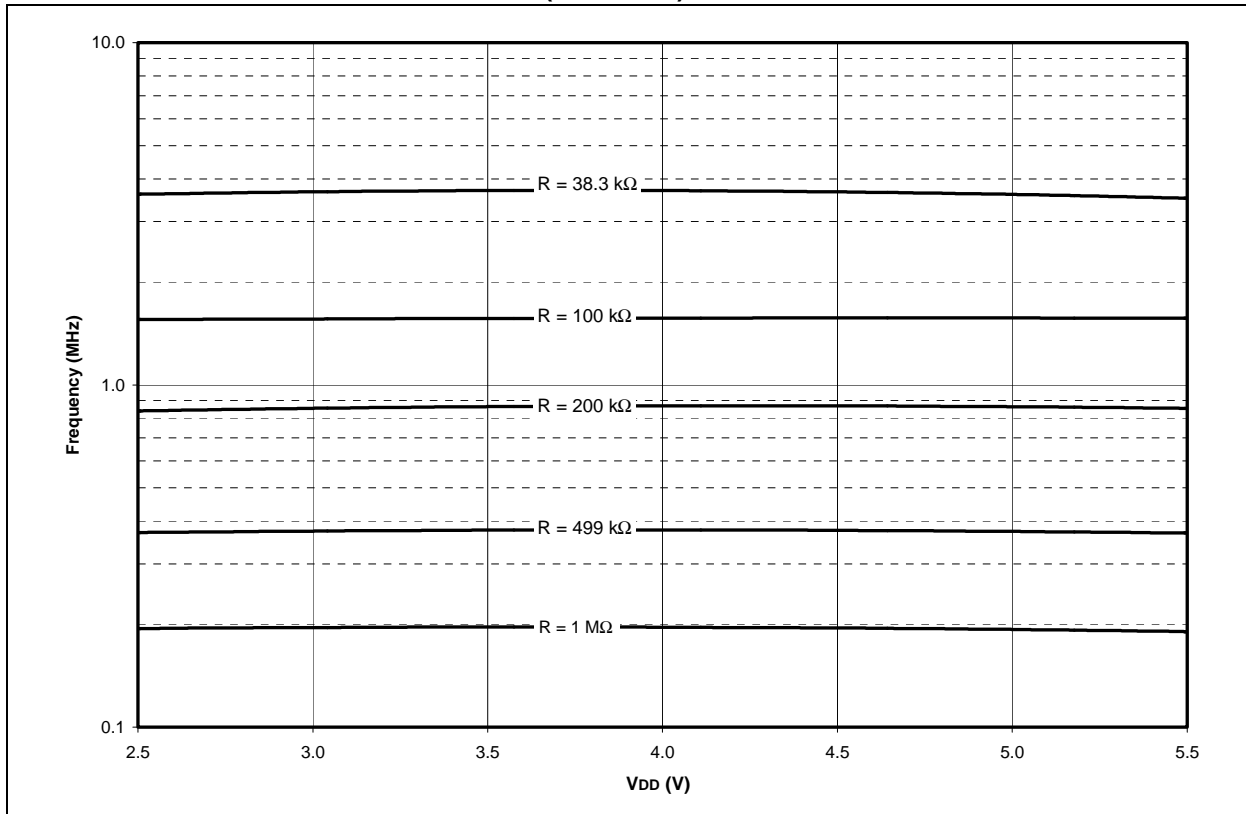
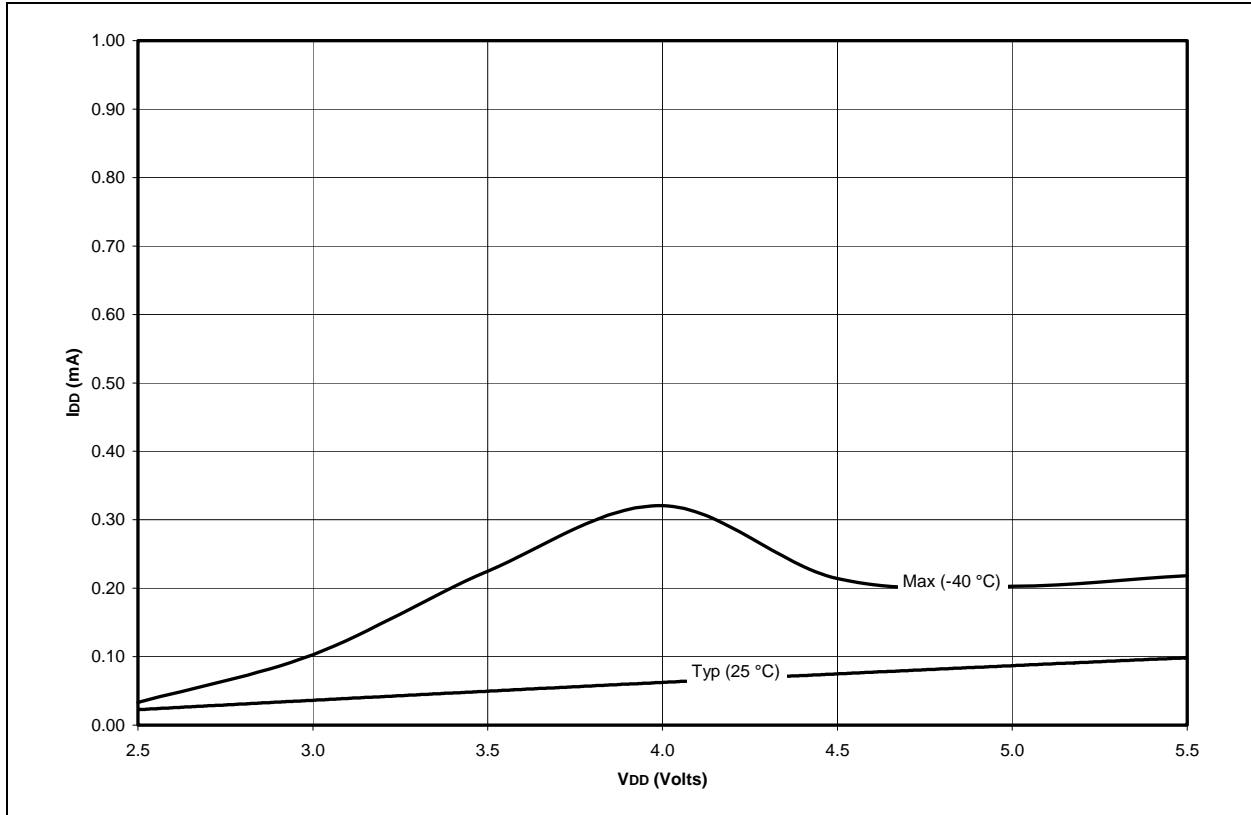


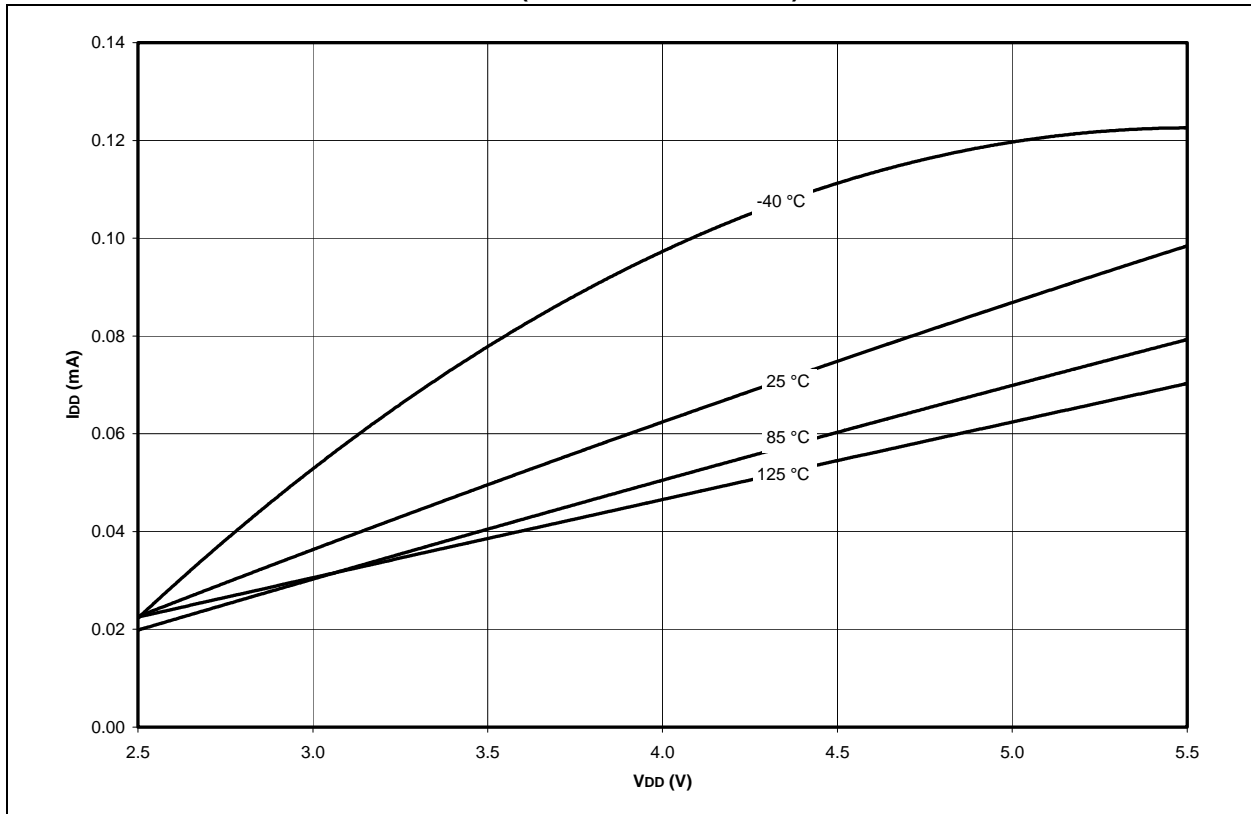
FIGURE 16-11: TYPICAL  $F_{osc}$  VS.  $V_{DD}$  (ER MODE)



**FIGURE 16-12: MAXIMUM  $I_{DD}$  VS.  $V_{DD}$  (INTRC 37 kHz MODE)**



**FIGURE 16-13: TYPICAL  $I_{DD}$  VS.  $V_{DD}$  (INTRC 37 kHz MODE)**



# PIC16C717/770/771

FIGURE 16-14: INTERNAL RC Fosc VS. VDD OVER TEMPERATURE (37 KHZ)

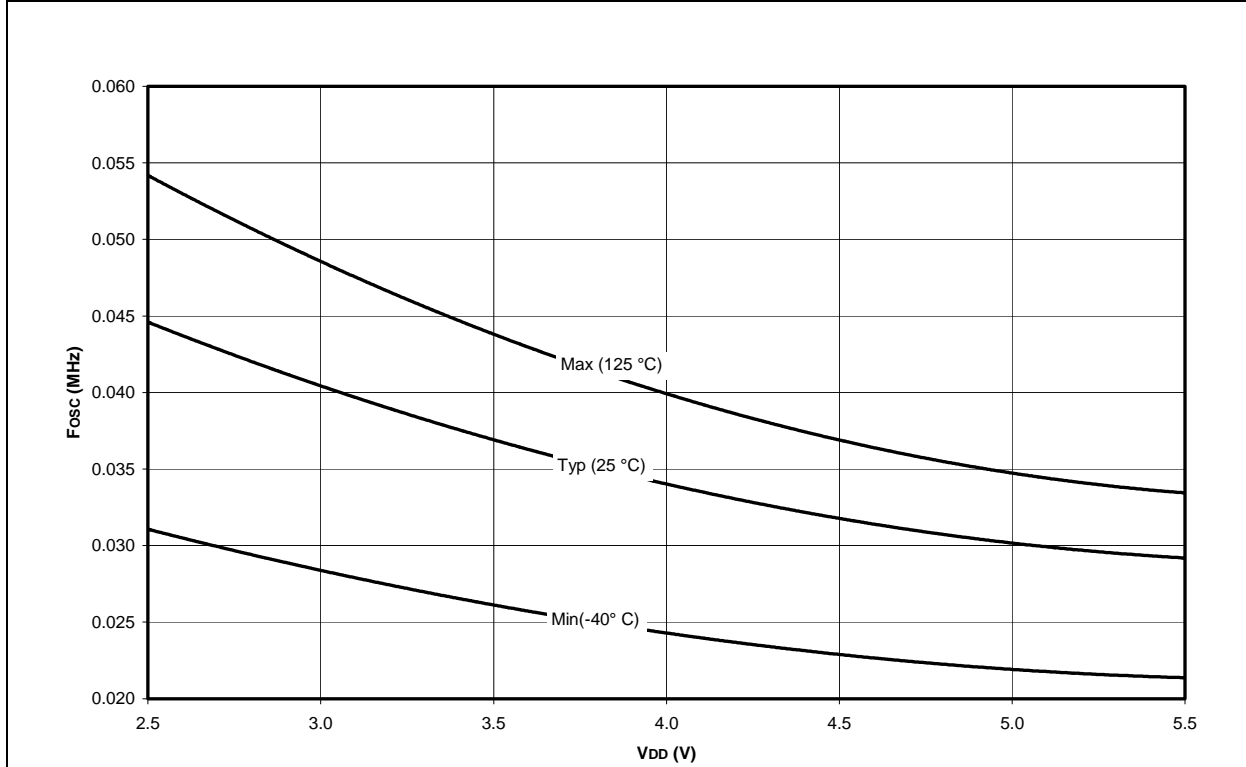
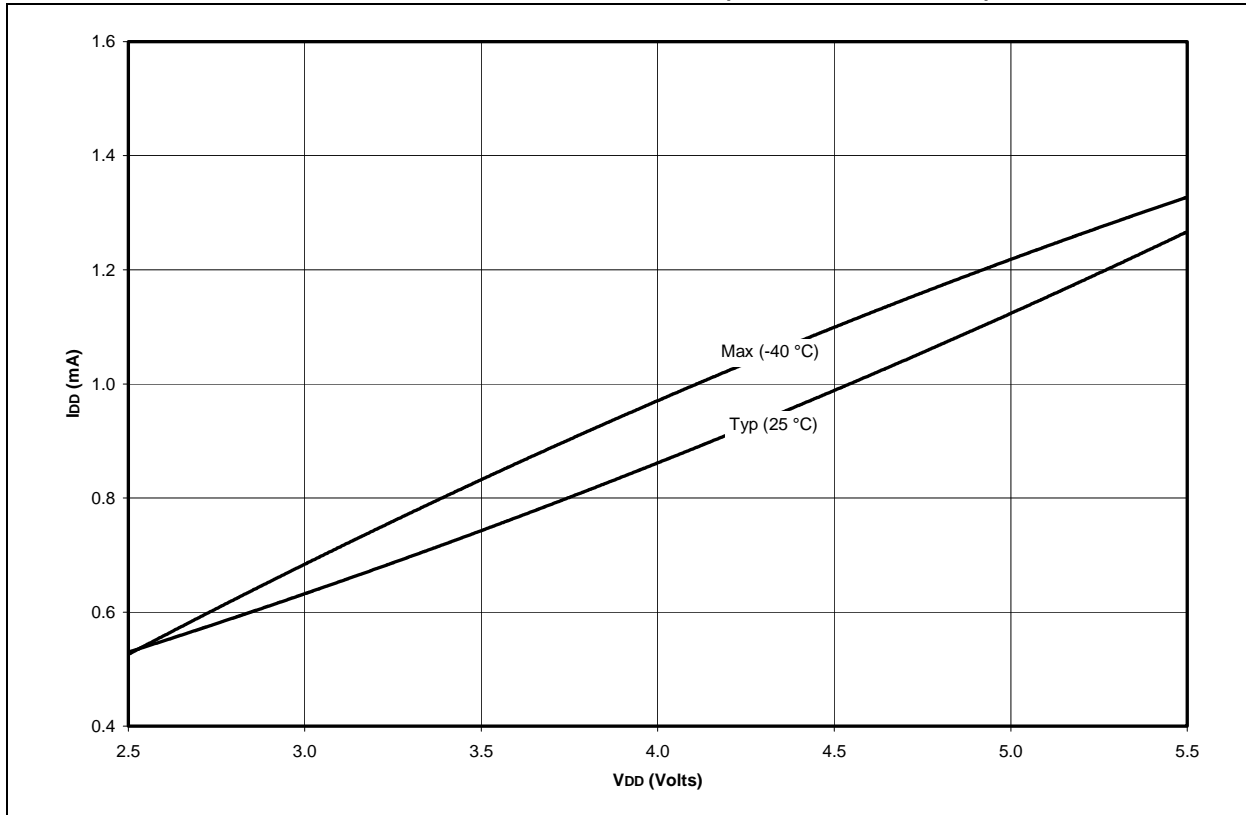
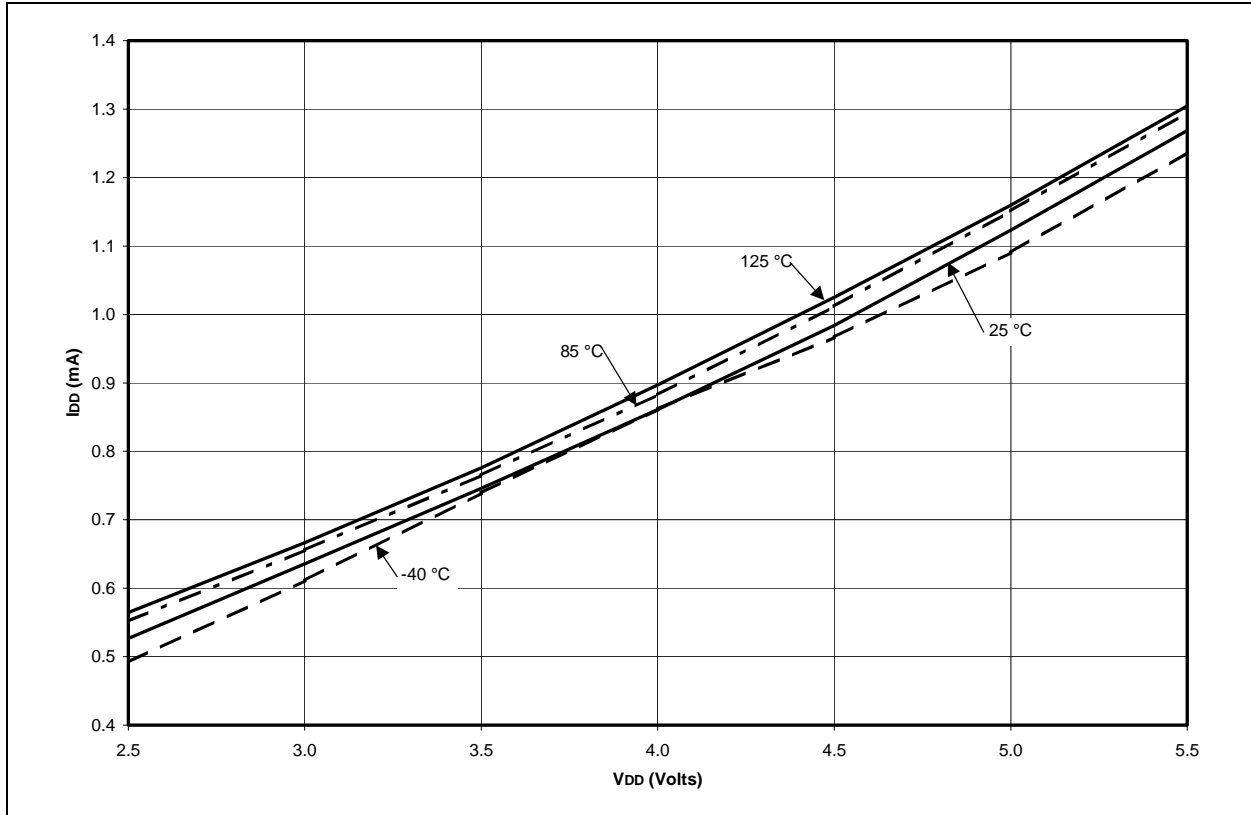


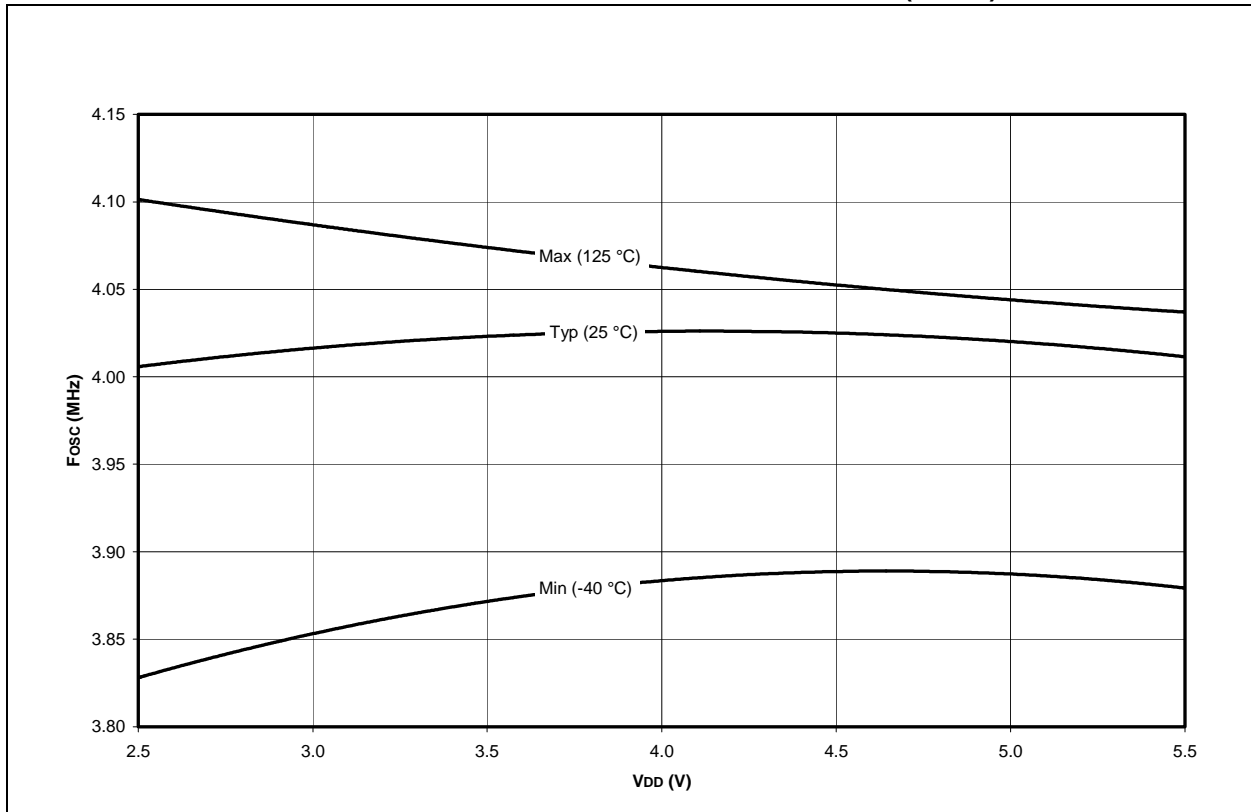
FIGURE 16-15: MAXIMUM AND TYPICAL I<sub>DD</sub> VS. VDD (INTRC 4 MHz MODE)



**FIGURE 16-16: TYPICAL  $I_{DD}$  VS.  $V_{DD}$  (INTRC 4 MHz MODE)**



**FIGURE 16-17: INTERNAL RC  $F_{osc}$  VS.  $V_{DD}$  OVER TEMPERATURE (4 MHz)**



# PIC16C717/770/771

FIGURE 16-18: MAXIMUM IPD VS. VDD (-40°C TO +125°C)

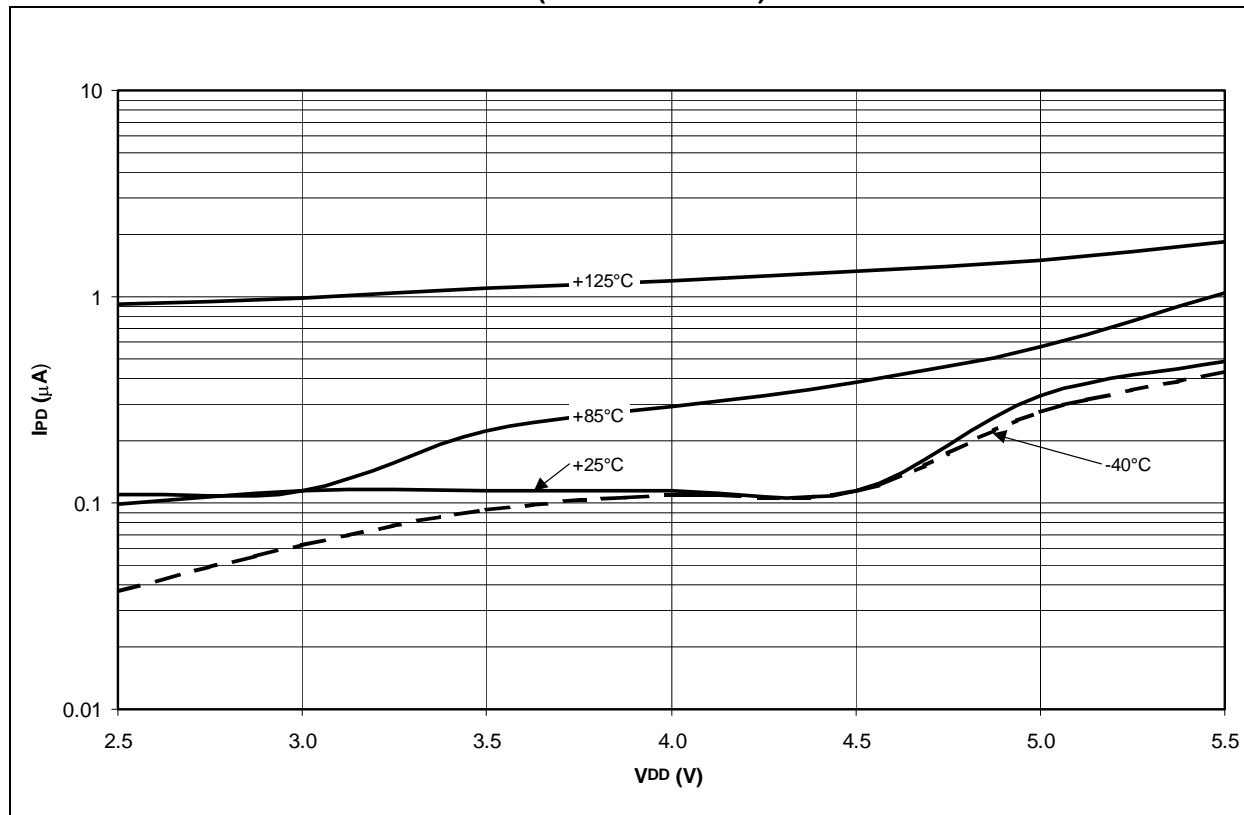
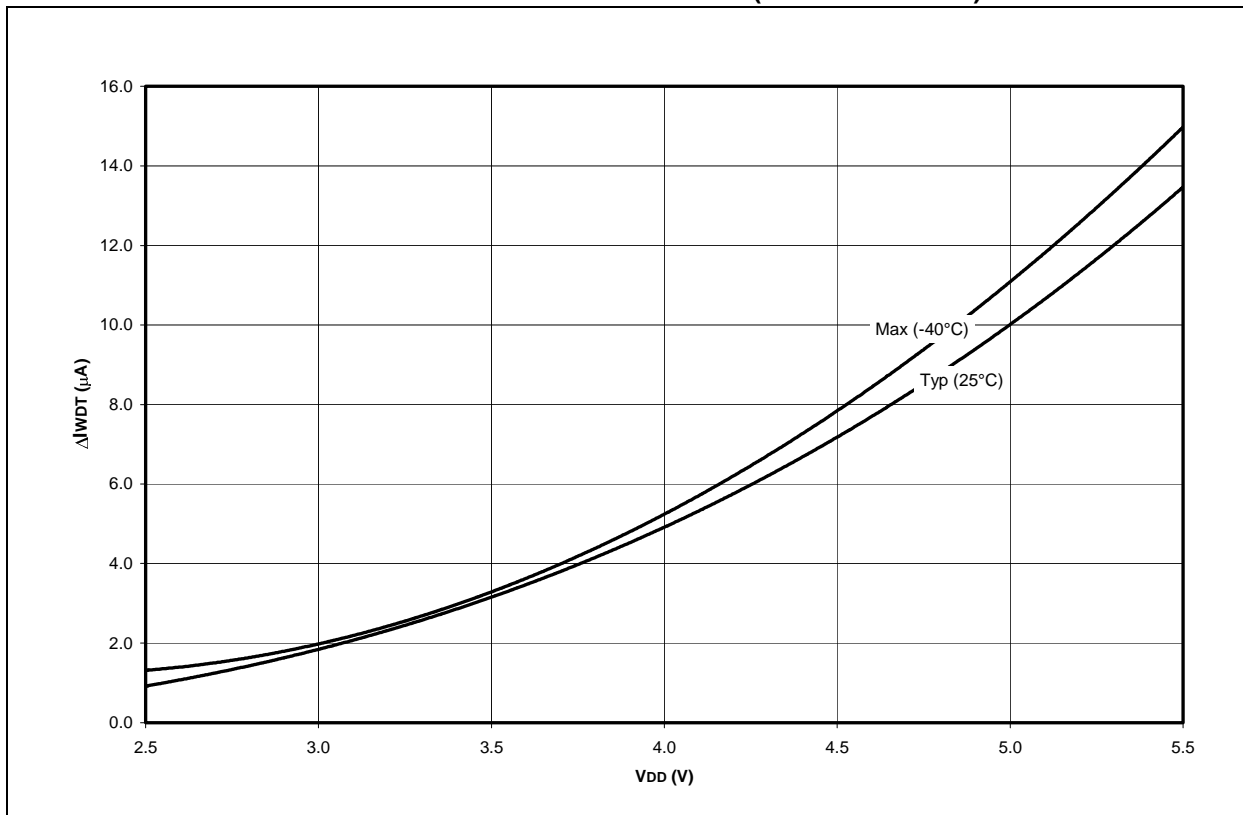


FIGURE 16-19: TYPICAL AND MAXIMUM  $\Delta I_{WDT}$  VS.  $V_{DD}$  (-40°C TO +125°C)



# PIC16C717/770/771

FIGURE 16-20: TYPICAL AND MAXIMUM  $\Delta I_{TMR1}$  VS.  $V_{DD}$  (32 KHZ,  $-40^{\circ}\text{C}$  TO  $+125^{\circ}\text{C}$ )

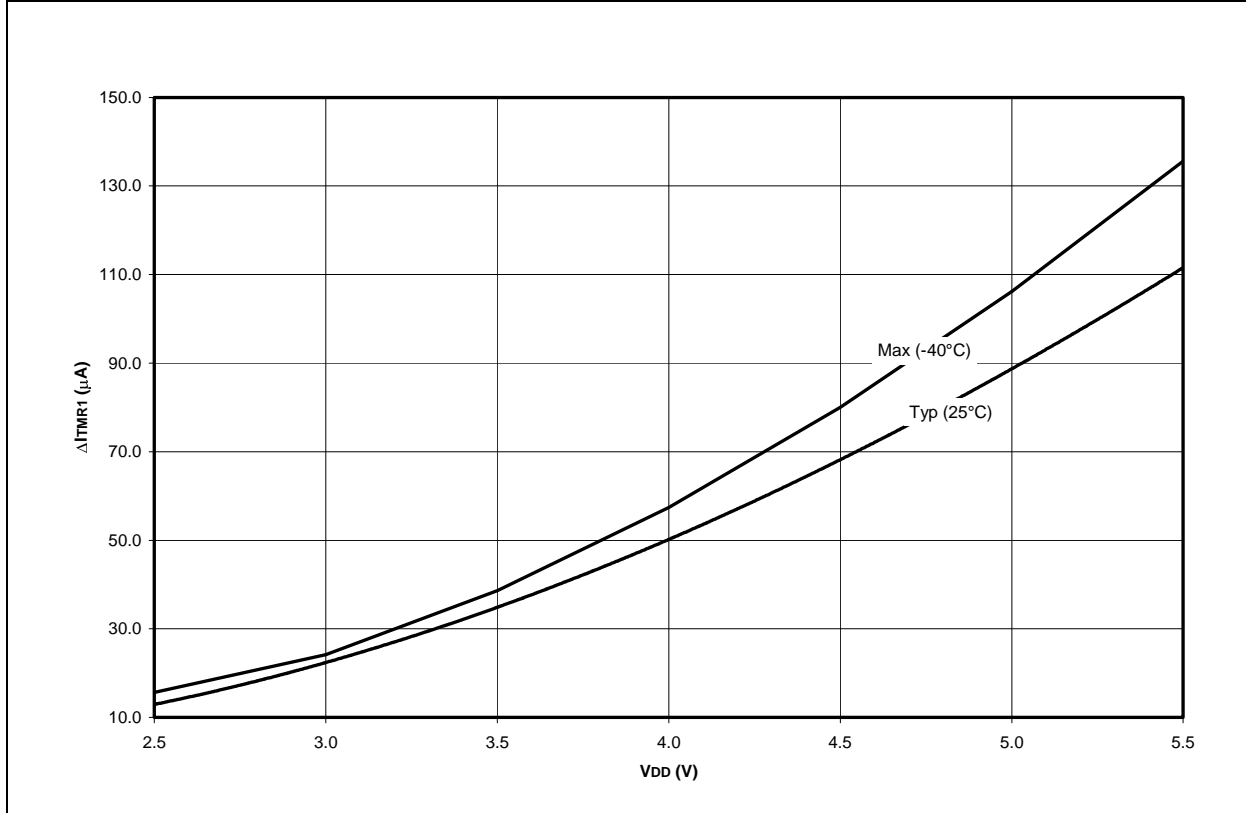
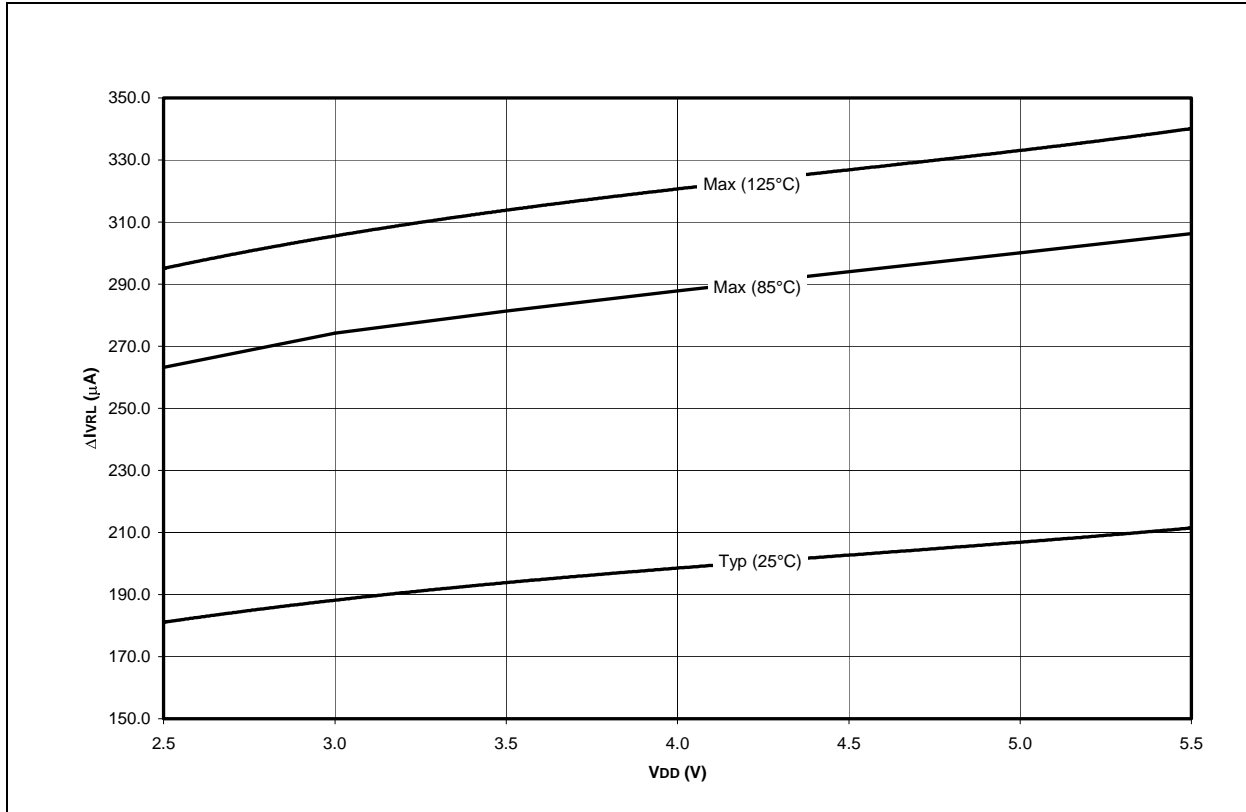
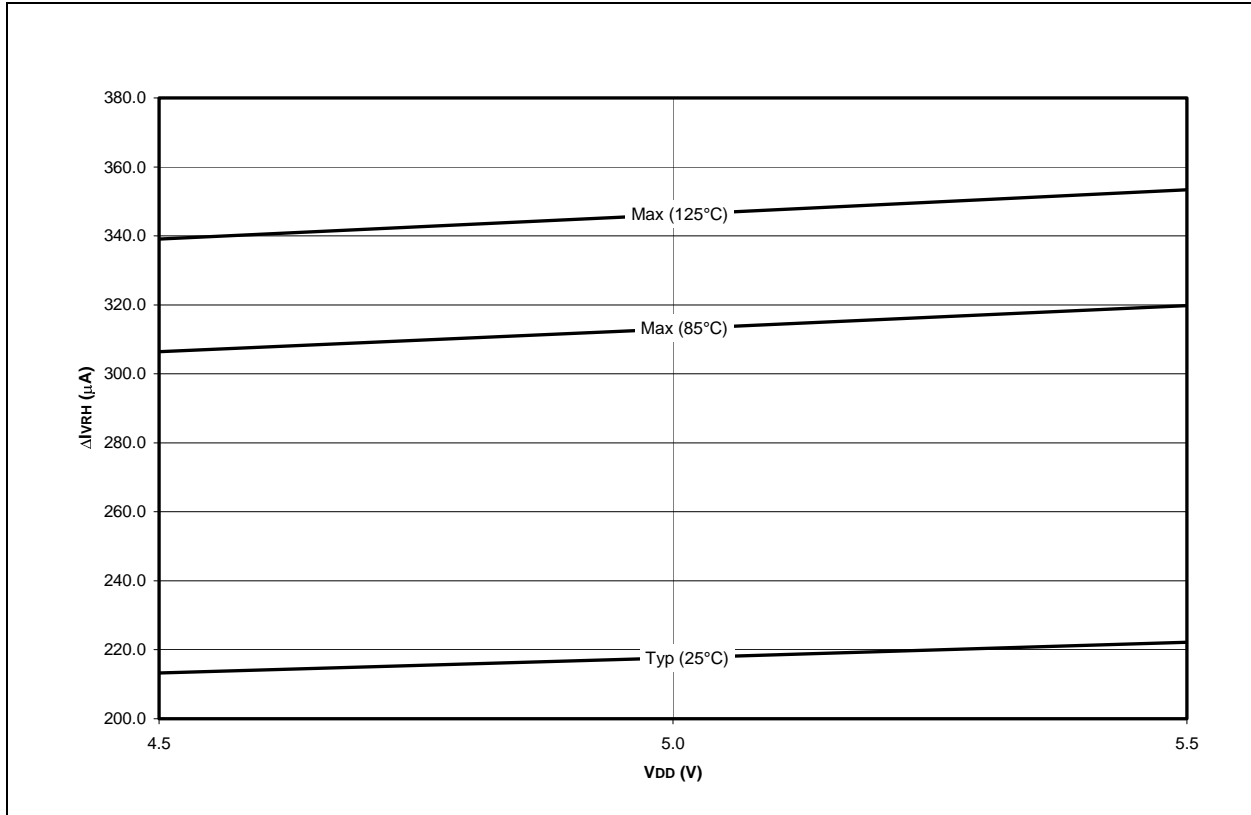


FIGURE 16-21: TYPICAL AND MAXIMUM  $\Delta I_{VRL}$  VS.  $V_{DD}$  ( $-40^{\circ}\text{C}$  TO  $+125^{\circ}\text{C}$ )

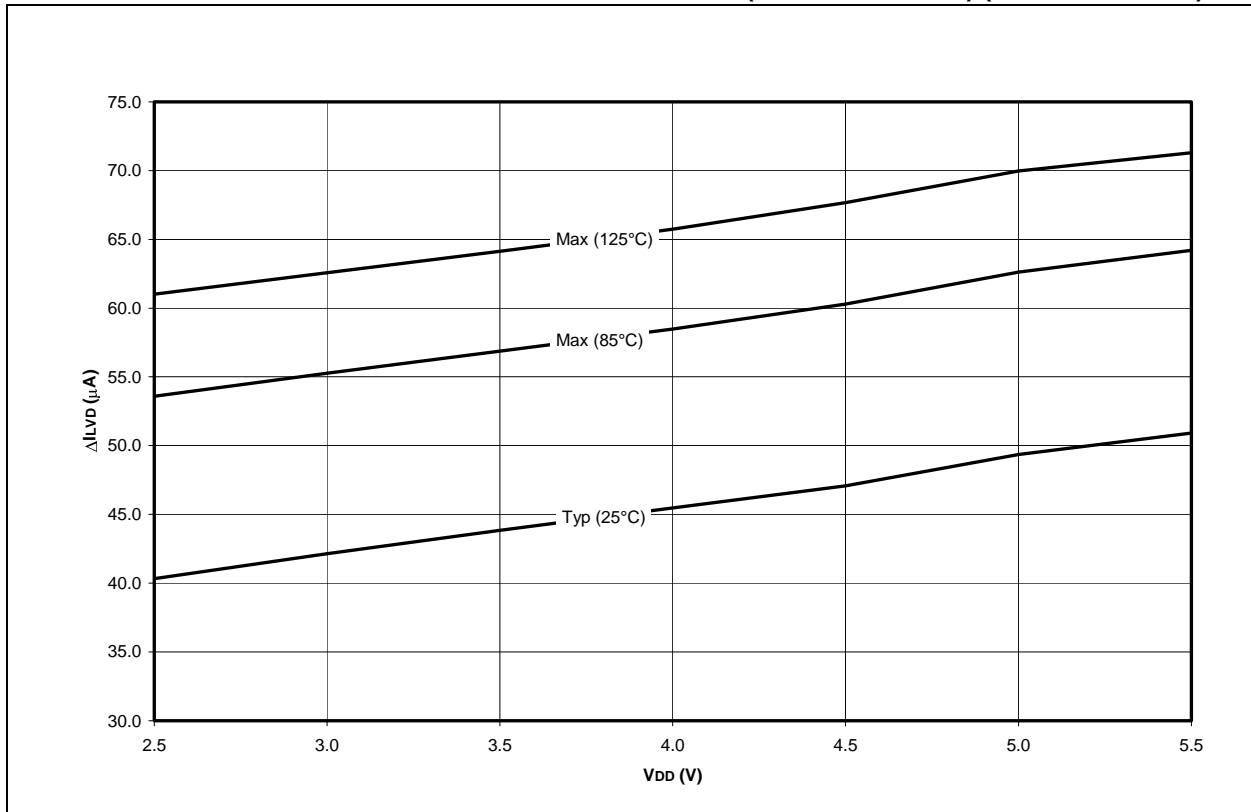




**FIGURE 16-22: TYPICAL AND MAXIMUM  $\Delta I_{VRH}$  VS.  $V_{DD}$  (-40°C TO +125°C)**



**FIGURE 16-23: TYPICAL AND MAXIMUM  $\Delta I_{LVD}$  VS.  $V_{DD}$  (-40°C TO +125°C) (LVD TRIP = 3.0V)**



# PIC16C717/770/771

FIGURE 16-24: TYPICAL AND MAXIMUM  $\Delta I_{LVD}$  VS.  $V_{DD}$  (-40°C TO +125°C) (LVD TRIP = 4.5V)

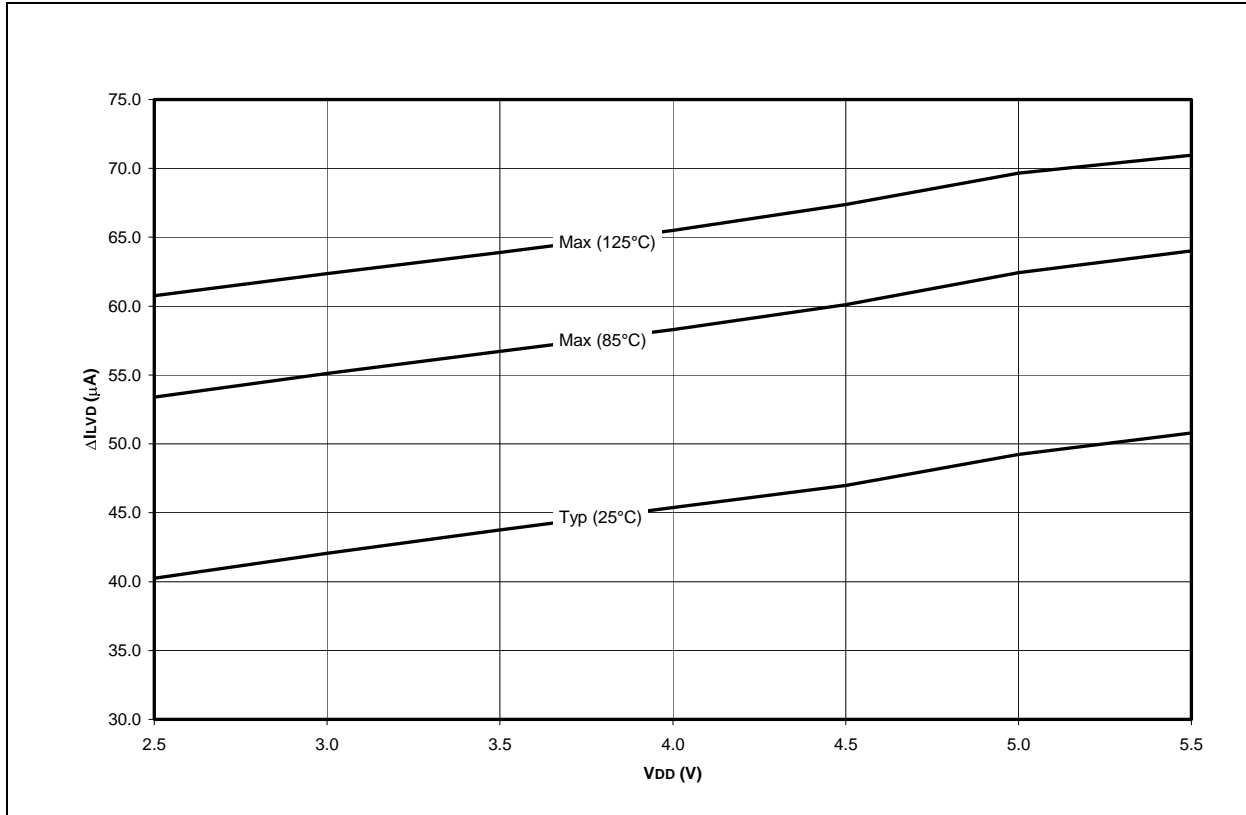
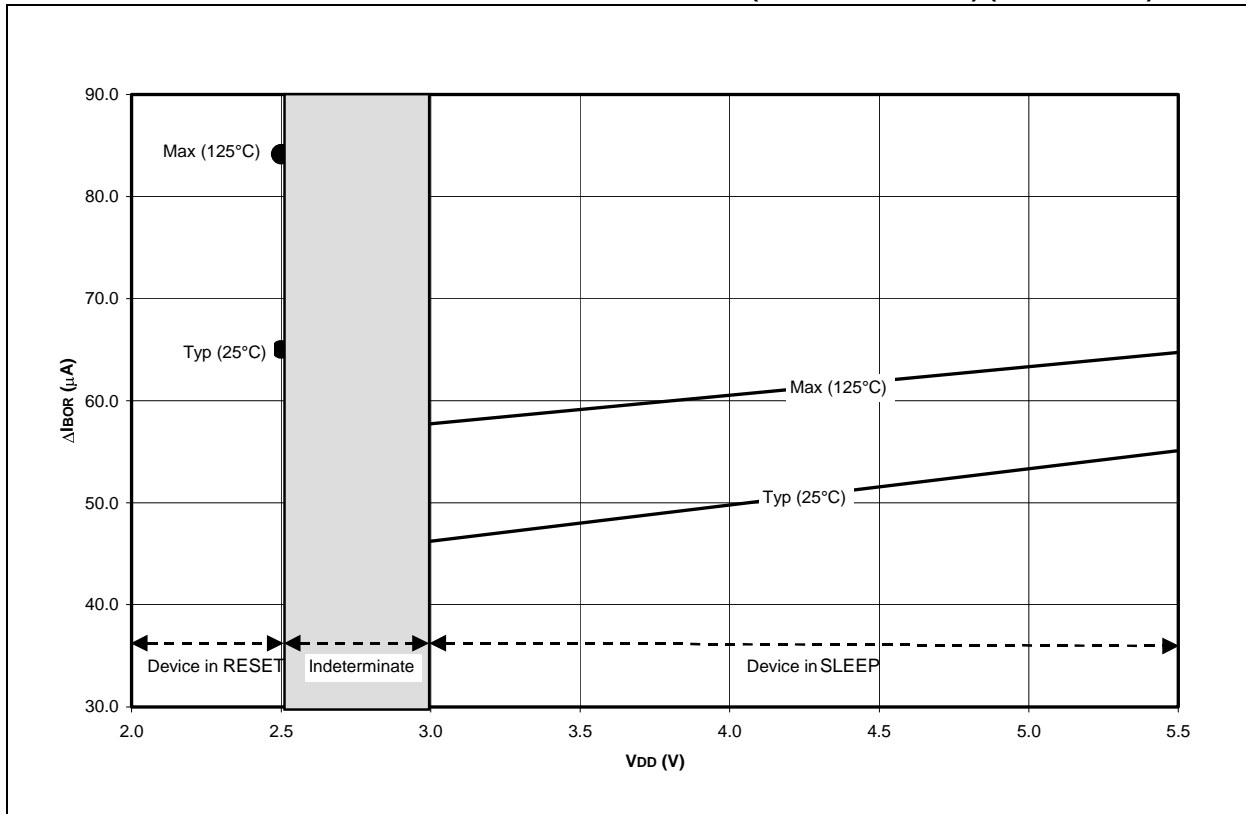
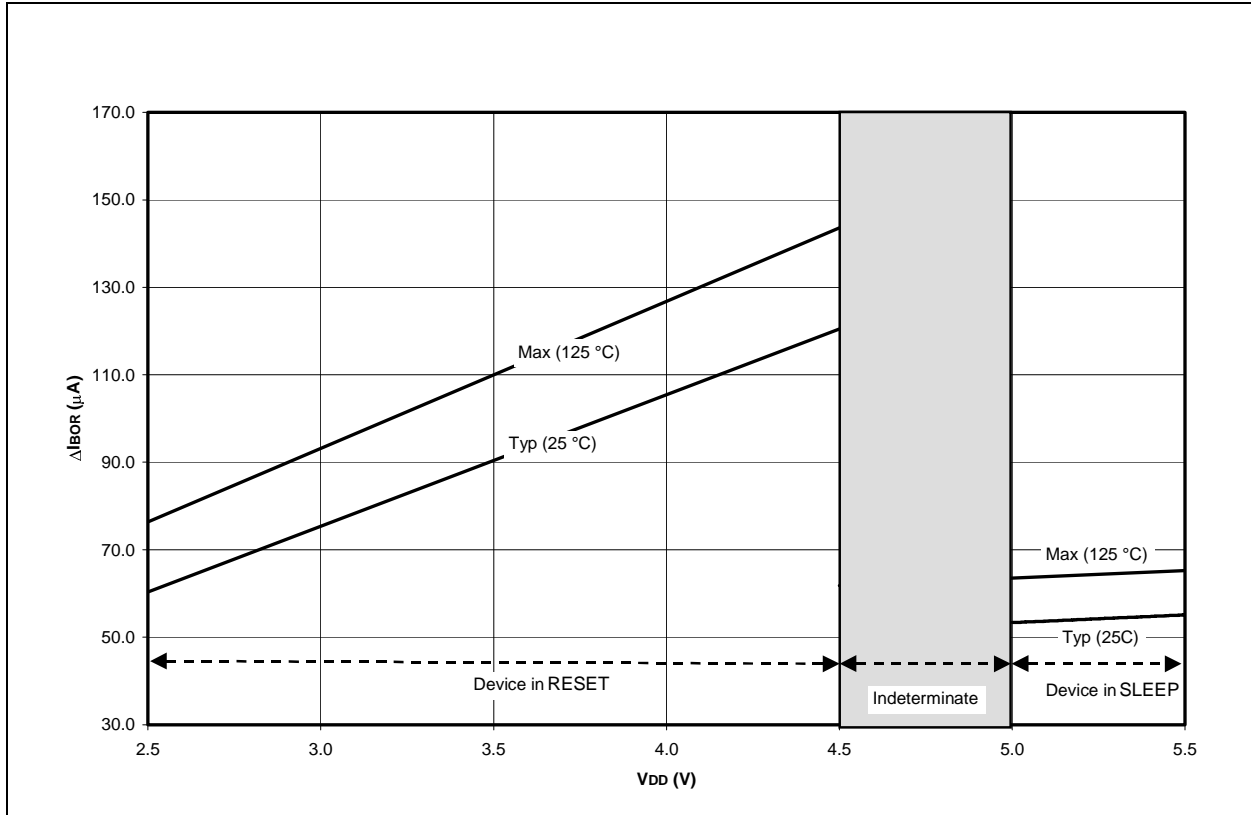


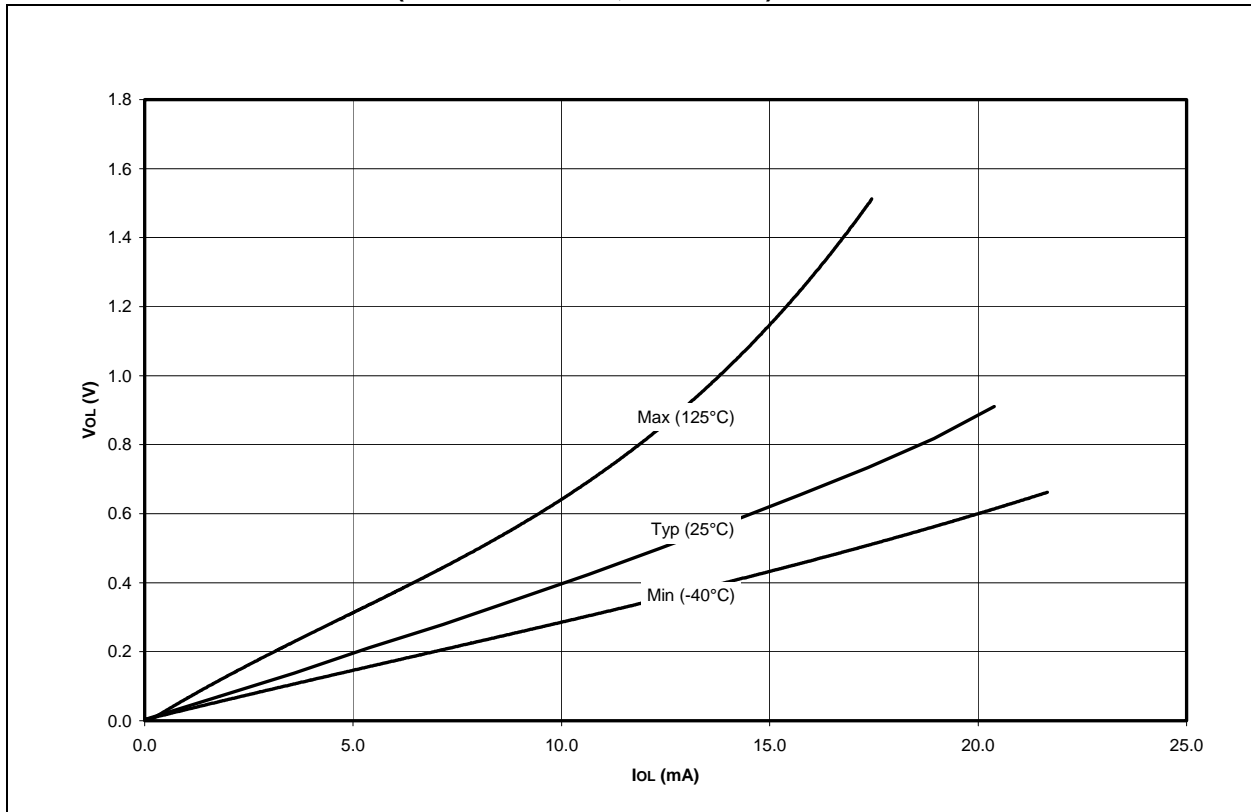
FIGURE 16-25: TYPICAL AND MAXIMUM  $\Delta I_{BOR}$  VS.  $V_{DD}$  (-40°C TO +125°C) ( $V_{BOR} = 2.5V$ )



**FIGURE 16-26: TYPICAL AND MAXIMUM  $\Delta I_{BOR}$  VS.  $V_{DD}$  (-40°C TO +125°C) ( $V_{BOR} = 4.5V$ )**



**FIGURE 16-27:  $V_{OL}$  VS.  $I_{OL}$  (-40°C TO +125°C,  $V_{DD} = 3.0V$ )**



# PIC16C717/770/771

FIGURE 16-28:  $V_{OL}$  VS.  $I_{OL}$  ( $-40^{\circ}\text{C}$  TO  $+125^{\circ}\text{C}$ ,  $V_{DD} = 5.0\text{V}$ )

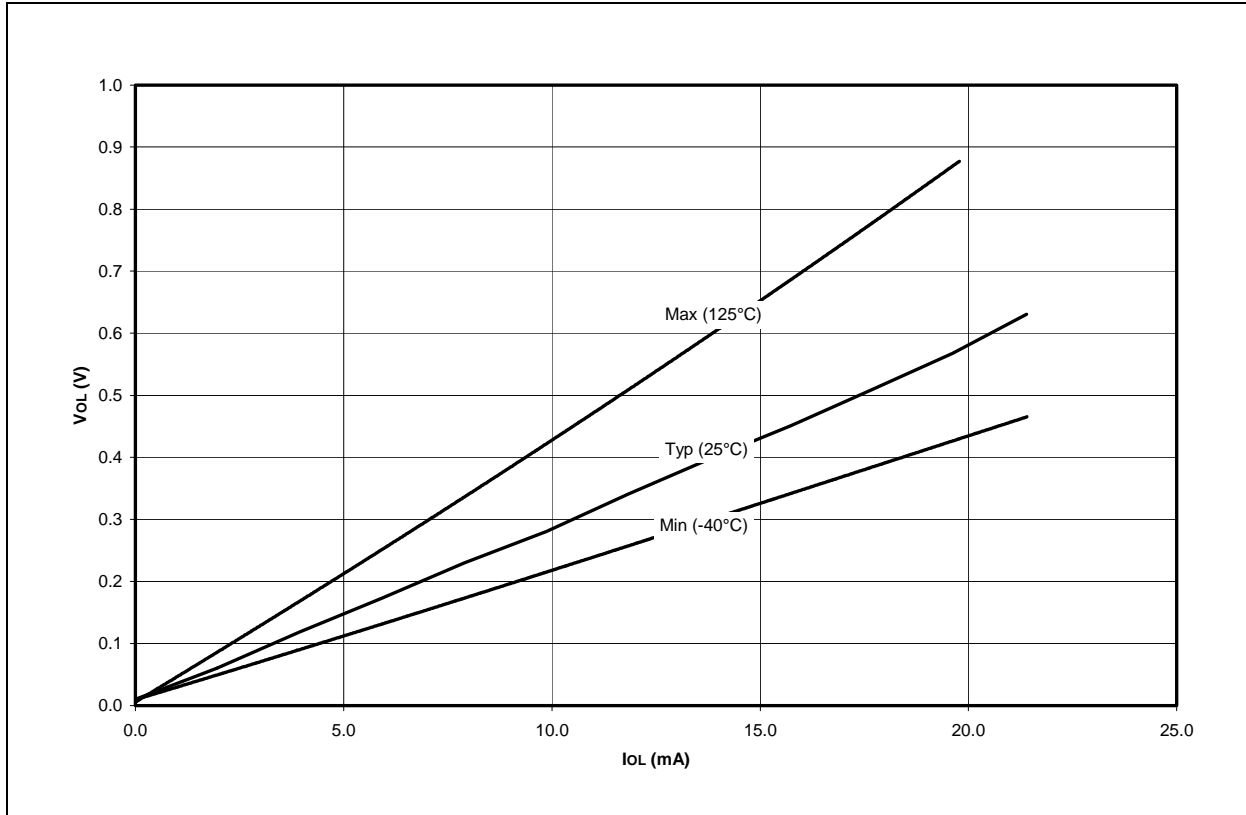


FIGURE 16-29:  $V_{OH}$  VS.  $I_{OH}$  ( $-40^{\circ}\text{C}$  TO  $+125^{\circ}\text{C}$ ,  $V_{DD} = 3.0\text{V}$ )

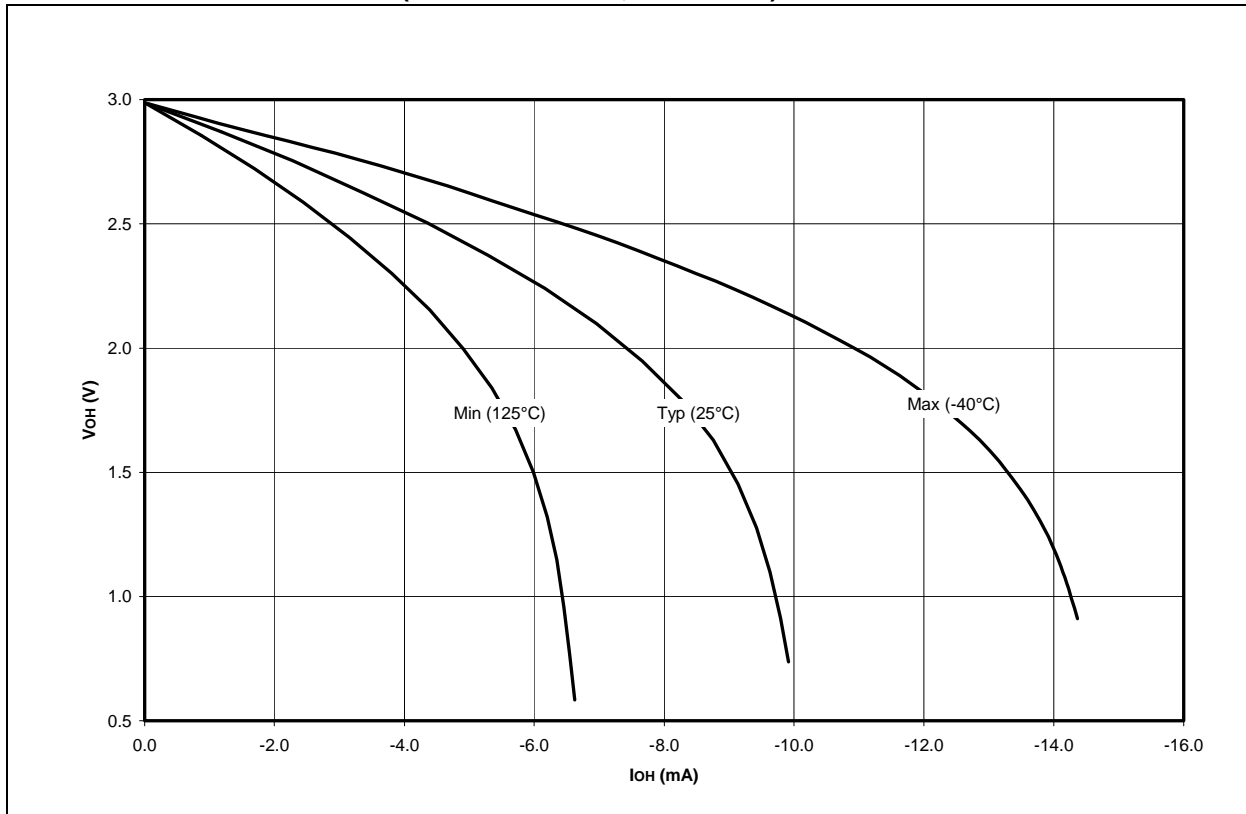


FIGURE 16-30:  $V_{OH}$  VS.  $I_{OH}$  ( $-40^{\circ}\text{C}$  TO  $+125^{\circ}\text{C}$ ,  $V_{DD} = 5.0\text{V}$ )

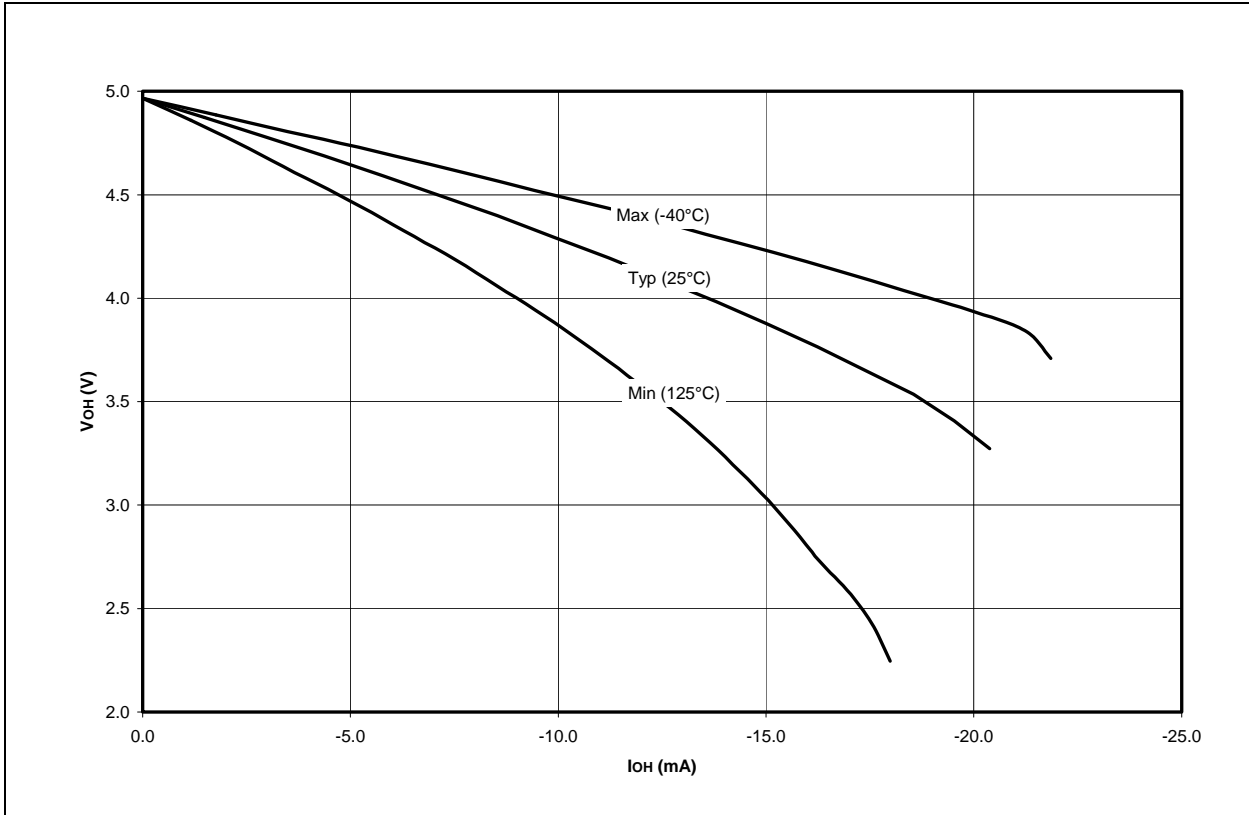
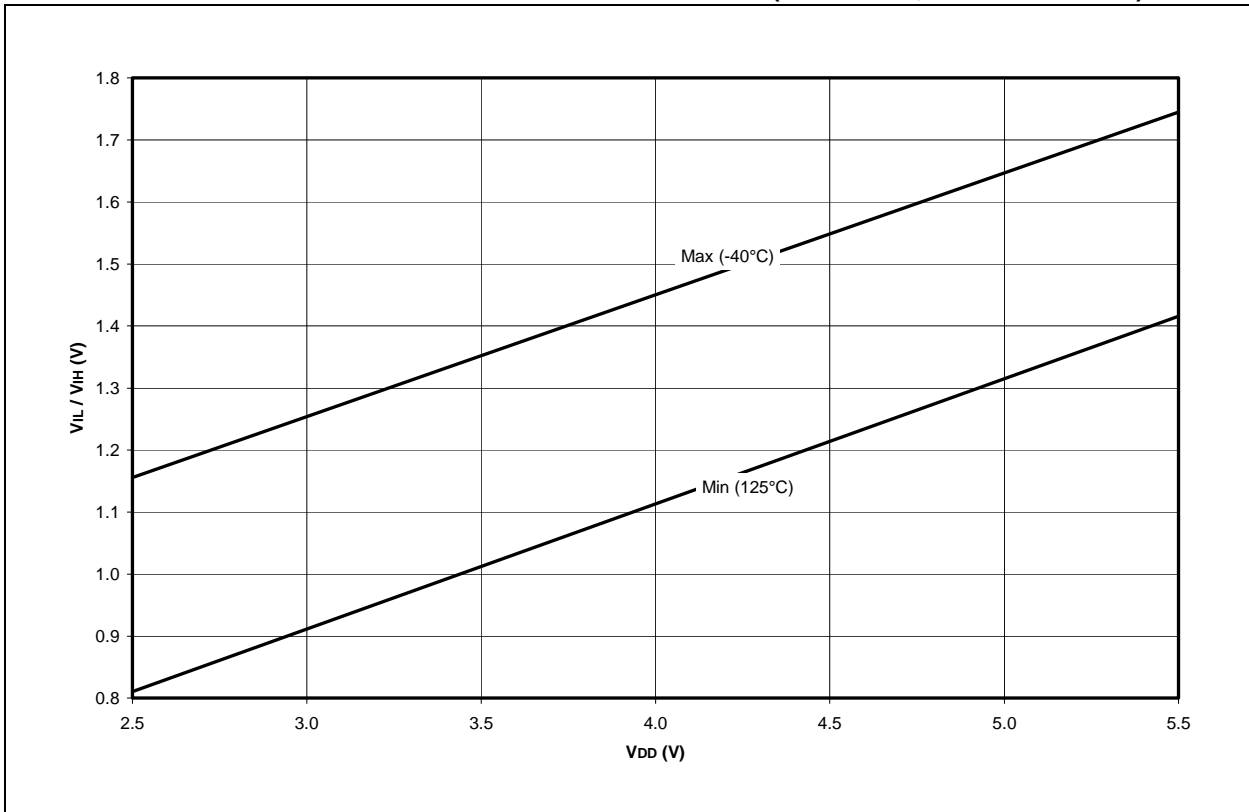


FIGURE 16-31: MINIMUM AND MAXIMUM  $V_{IH}/V_{IL}$  VS.  $V_{DD}$  (TTL INPUT,  $-40^{\circ}\text{C}$  TO  $+125^{\circ}\text{C}$ )



# PIC16C717/770/771

FIGURE 16-32: MINIMUM AND MAXIMUM  $V_{IH}/V_{IL}$  VS.  $V_{DD}$  (ST INPUT,  $-40^{\circ}\text{C}$  TO  $+125^{\circ}\text{C}$ )

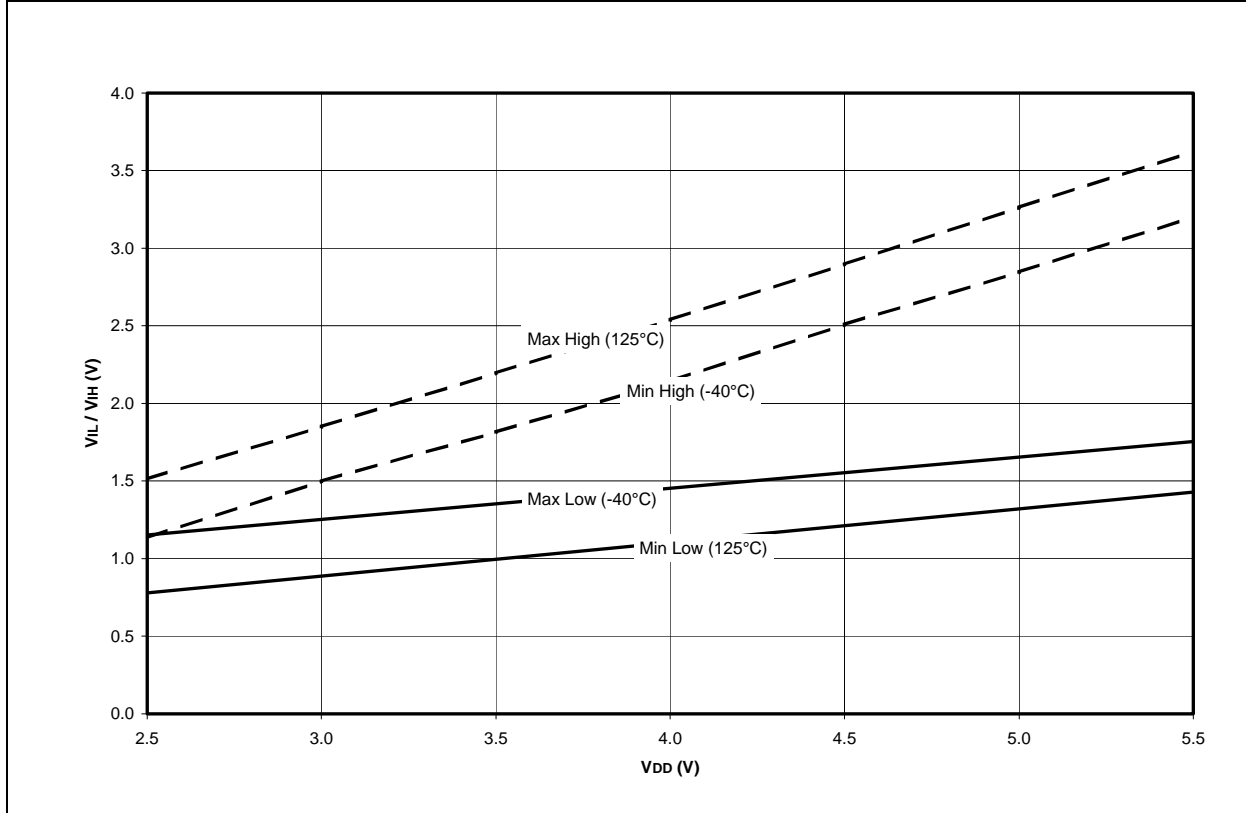
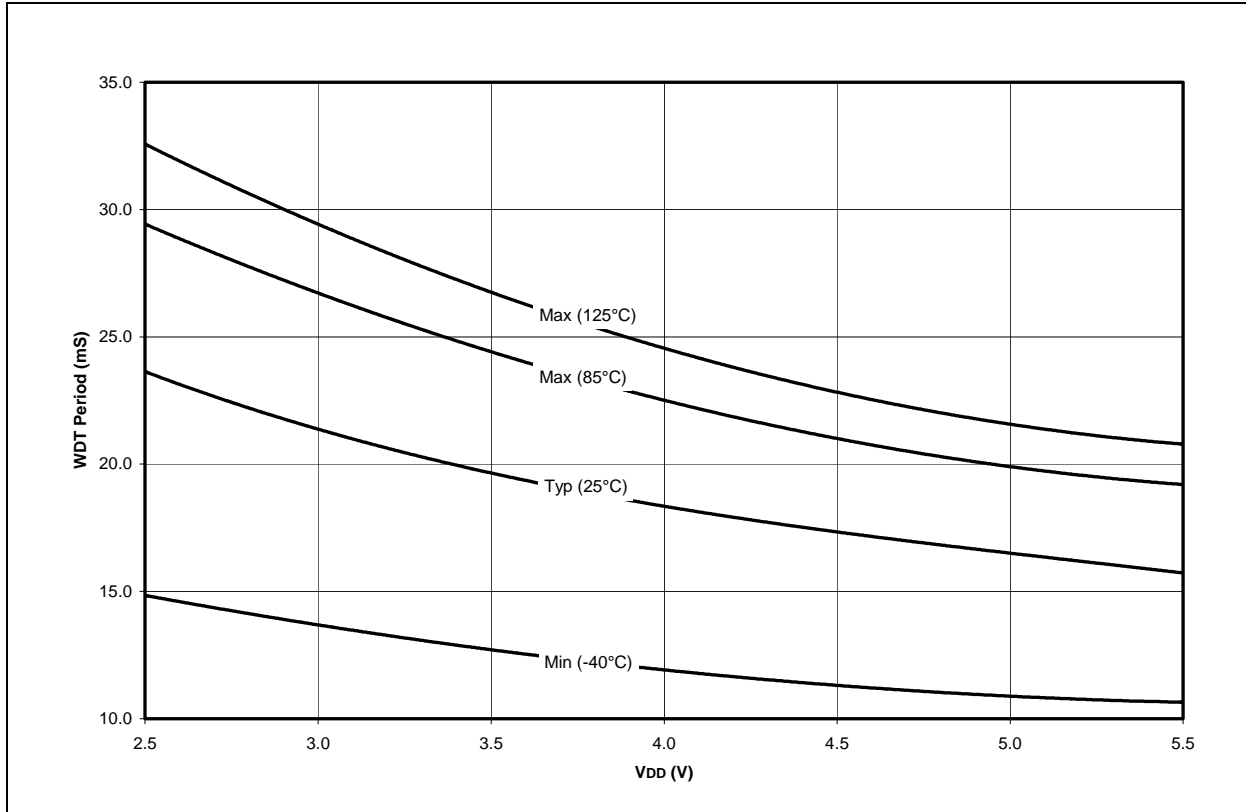


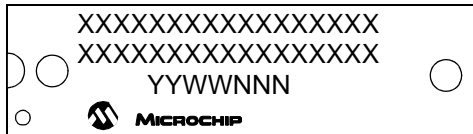
FIGURE 16-33: TYPICAL, MINIMUM AND MAXIMUM WDT PERIOD VS.  $V_{DD}$  ( $-40^{\circ}\text{C}$  TO  $+125^{\circ}\text{C}$ )



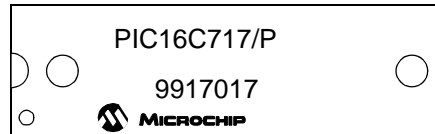
## 17.0 PACKAGING INFORMATION

### 17.1 Package Marking Information

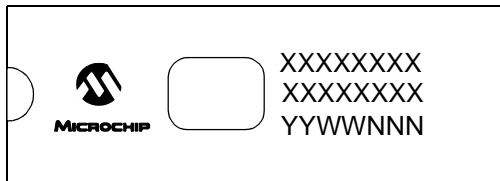
18-Lead PDIP



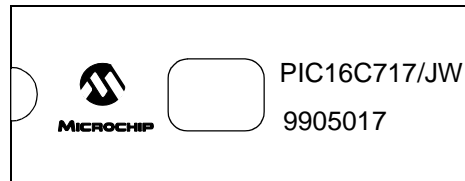
Example



18-Lead CERDIP Windowed



Example



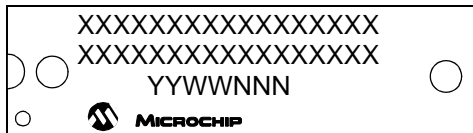
18-Lead SOIC



Example



20-Lead PDIP



Example



**Legend:** XX...X Customer specific information\*  
 Y Year code (last digit of calendar year)  
 YY Year code (last 2 digits of calendar year)  
 WW Week code (week of January 1 is week '01')  
 NNN Alphanumeric traceability code

**Note:** In the event the full Microchip part number cannot be marked on one line, it will be carried over to the next line thus limiting the number of available characters for customer specific information.

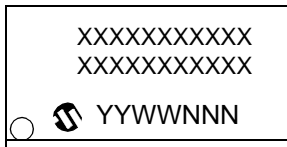
\* Standard PICmicro device marking consists of Microchip part number, year code, week code, and traceability code. For PICmicro device marking beyond this, certain price adders apply. Please check with your Microchip Sales Office. For QTP devices, any special marking adders are included in QTP price.

# PIC16C717/770/771

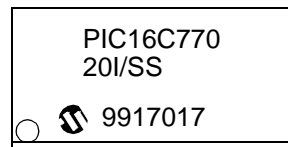
---

## 17.1 Package Marking Information (Cont'd)

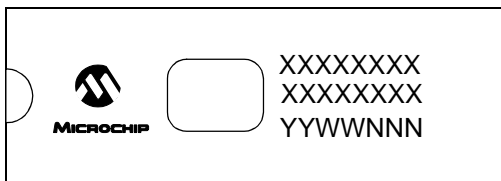
20-Lead SSOP



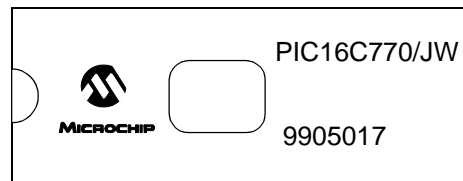
Example



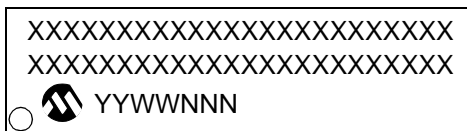
20-Lead CERDIP Windowed



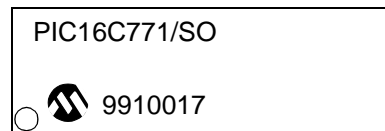
Example



20-Lead SOIC



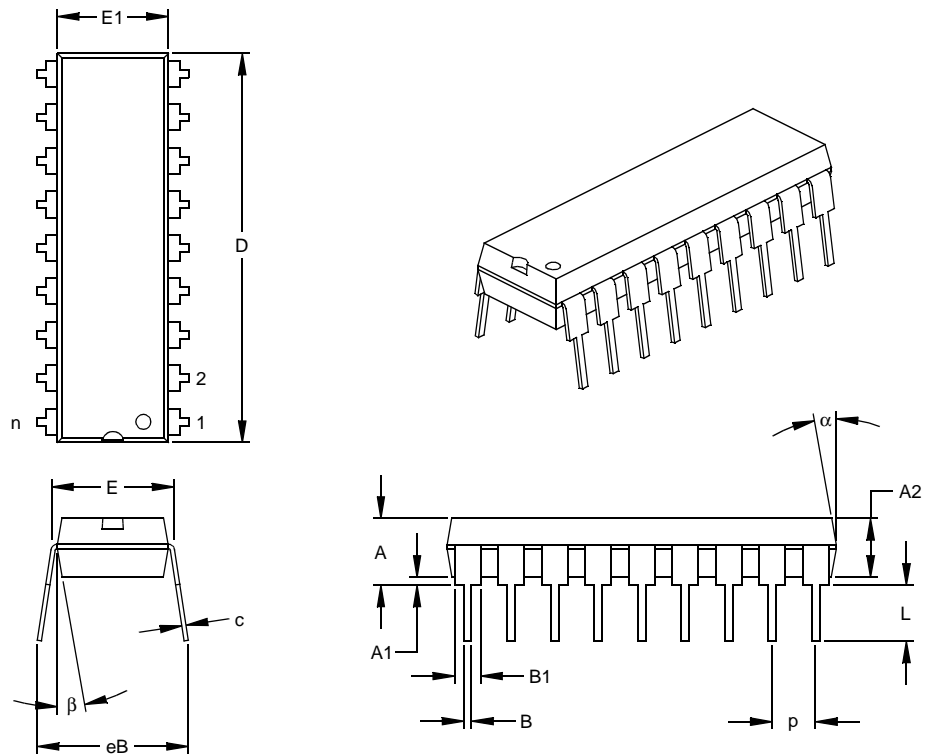
Example





# PIC16C717/770/771

## 17.2 18-Lead Plastic Dual In-line (P) – 300 mil (PDIP)



Units		INCHES*			MILLIMETERS		
Dimension Limits		MIN	NOM	MAX	MIN	NOM	MAX
Number of Pins	n		18			18	
Pitch	p		.100			2.54	
Top to Seating Plane	A	.140	.155	.170	3.56	3.94	4.32
Molded Package Thickness	A2	.115	.130	.145	2.92	3.30	3.68
Base to Seating Plane	A1	.015			0.38		
Shoulder to Shoulder Width	E	.300	.313	.325	7.62	7.94	8.26
Molded Package Width	E1	.240	.250	.260	6.10	6.35	6.60
Overall Length	D	.890	.898	.905	22.61	22.80	22.99
Tip to Seating Plane	L	.125	.130	.135	3.18	3.30	3.43
Lead Thickness	c	.008	.012	.015	0.20	0.29	0.38
Upper Lead Width	B1	.045	.058	.070	1.14	1.46	1.78
Lower Lead Width	B	.014	.018	.022	0.36	0.46	0.56
Overall Row Spacing	§ eB	.310	.370	.430	7.87	9.40	10.92
Mold Draft Angle Top	α	5	10	15	5	10	15
Mold Draft Angle Bottom	β	5	10	15	5	10	15

\* Controlling Parameter

§ Significant Characteristic

Notes:

Dimensions D and E1 do not include mold flash or protrusions. Mold flash or protrusions shall not exceed

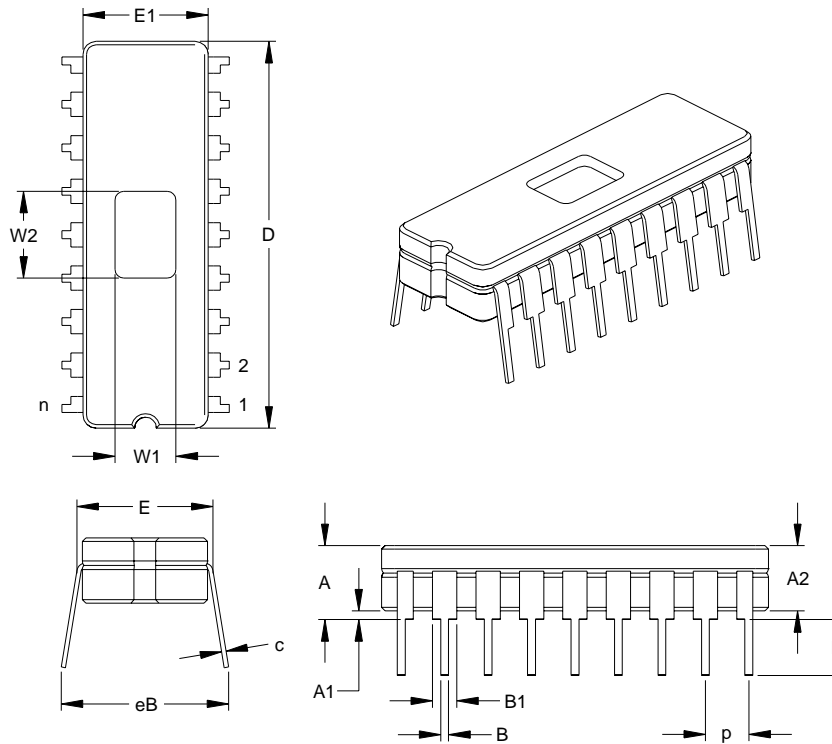
.010" (0.254mm) per side.

JEDEC Equivalent: MS-001

Drawing No. C04-007

# PIC16C717/770/771

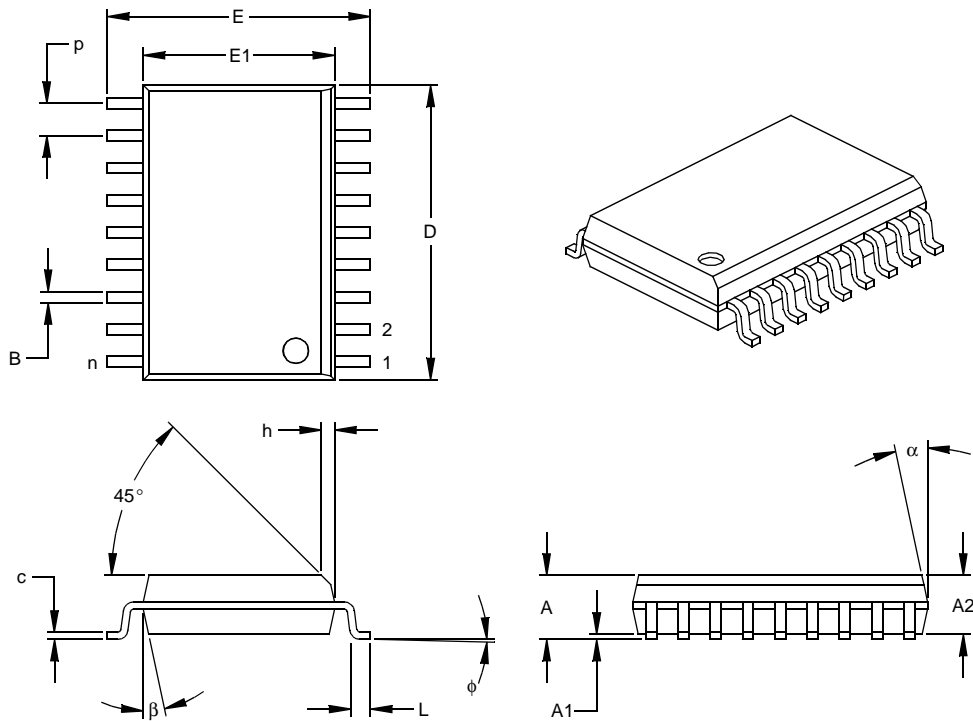
## 17.3 18-Lead Ceramic Dual In-line with Window (JW) – 300 mil (CERDIP)



Units		INCHES*			MILLIMETERS		
Dimension Limits		MIN	NOM	MAX	MIN	NOM	MAX
Number of Pins	n		18			18	
Pitch	P		.100			2.54	
Top to Seating Plane	A	.170	.183	.195	4.32	4.64	4.95
Ceramic Package Height	A2	.155	.160	.165	3.94	4.06	4.19
Standoff	A1	.015	.023	.030	0.38	0.57	0.76
Shoulder to Shoulder Width	E	.300	.313	.325	7.62	7.94	8.26
Ceramic Pkg. Width	E1	.285	.290	.295	7.24	7.37	7.49
Overall Length	D	.880	.900	.920	22.35	22.86	23.37
Tip to Seating Plane	L	.125	.138	.150	3.18	3.49	3.81
Lead Thickness	c	.008	.010	.012	0.20	0.25	0.30
Upper Lead Width	B1	.050	.055	.060	1.27	1.40	1.52
Lower Lead Width	B	.016	.019	.021	0.41	0.47	0.53
Overall Row Spacing	eB	.345	.385	.425	8.76	9.78	10.80
Window Width	W1	.130	.140	.150	3.30	3.56	3.81
Window Length	W2	.190	.200	.210	4.83	5.08	5.33

\*Controlling Parameter  
JEDEC Equivalent: MO-036  
Drawing No. C04-010

## 17.4 18-Lead Plastic Small Outline (SO) – Wide, 300 mil (SOIC)



Units		INCHES*			MILLIMETERS		
Dimension	Limits	MIN	NOM	MAX	MIN	NOM	MAX
Number of Pins	n		18			18	
Pitch	p		.050			1.27	
Overall Height	A	.093	.099	.104	2.36	2.50	2.64
Molded Package Thickness	A2	.088	.091	.094	2.24	2.31	2.39
Standoff §	A1	.004	.008	.012	0.10	0.20	0.30
Overall Width	E	.394	.407	.420	10.01	10.34	10.67
Molded Package Width	E1	.291	.295	.299	7.39	7.49	7.59
Overall Length	D	.446	.454	.462	11.33	11.53	11.73
Chamfer Distance	h	.010	.020	.029	0.25	0.50	0.74
Foot Length	L	.016	.033	.050	0.41	0.84	1.27
Foot Angle	φ	0	4	8	0	4	8
Lead Thickness	c	.009	.011	.012	0.23	0.27	0.30
Lead Width	B	.014	.017	.020	0.36	0.42	0.51
Mold Draft Angle Top	α	0	12	15	0	12	15
Mold Draft Angle Bottom	β	0	12	15	0	12	15

\* Controlling Parameter  
 § Significant Characteristic

Notes:

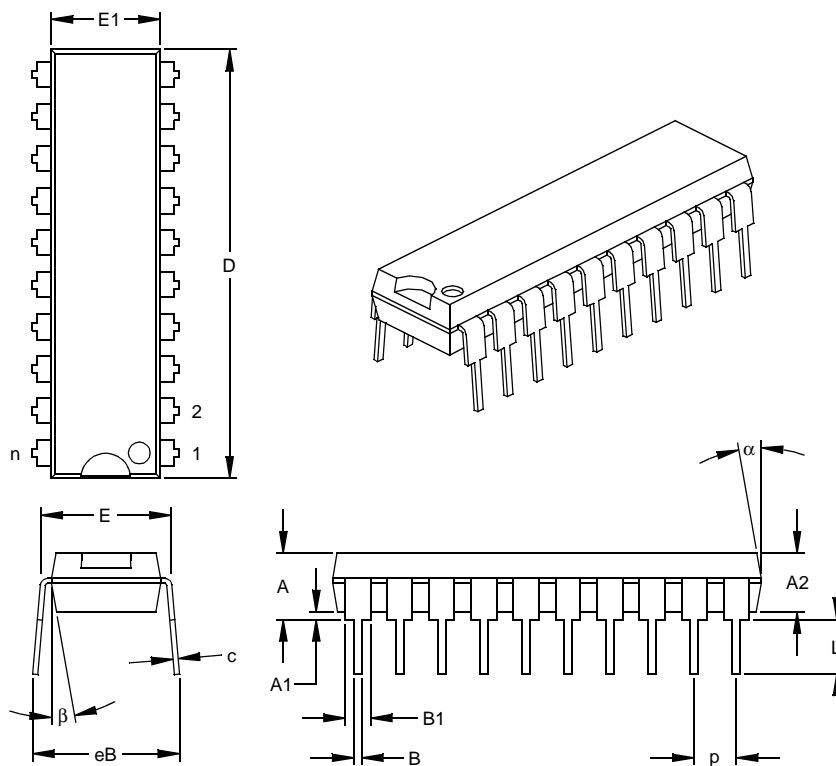
Dimensions D and E1 do not include mold flash or protrusions. Mold flash or protrusions shall not exceed .010" (0.254mm) per side.

JEDEC Equivalent: MS-013

Drawing No. C04-051

# PIC16C717/770/771

## 17.5 20-Lead Plastic Dual In-line (P) – 300 mil (PDIP)



Units		INCHES*			MILLIMETERS		
Dimension Limits		MIN	NOM	MAX	MIN	NOM	MAX
Number of Pins	n		20			20	
Pitch	p		.100			2.54	
Top to Seating Plane	A	.140	.155	.170	3.56	3.94	4.32
Molded Package Thickness	A2	.115	.130	.145	2.92	3.30	3.68
Base to Seating Plane	A1	.015			0.38		
Shoulder to Shoulder Width	E	.295	.310	.325	7.49	7.87	8.26
Molded Package Width	E1	.240	.250	.260	6.10	6.35	6.60
Overall Length	D	1.025	1.033	1.040	26.04	26.24	26.42
Tip to Seating Plane	L	.120	.130	.140	3.05	3.30	3.56
Lead Thickness	c	.008	.012	.015	0.20	0.29	0.38
Upper Lead Width	B1	.055	.060	.065	1.40	1.52	1.65
Lower Lead Width	B	.014	.018	.022	0.36	0.46	0.56
Overall Row Spacing	§ eB	.310	.370	.430	7.87	9.40	10.92
Mold Draft Angle Top	α	5	10	15	5	10	15
Mold Draft Angle Bottom	β	5	10	15	5	10	15

\* Controlling Parameter

§ Significant Characteristic

Notes:

Dimensions D and E1 do not include mold flash or protrusions. Mold flash or protrusions shall not exceed .010" (0.254mm) per side.

JEDEC Equivalent: MS-001

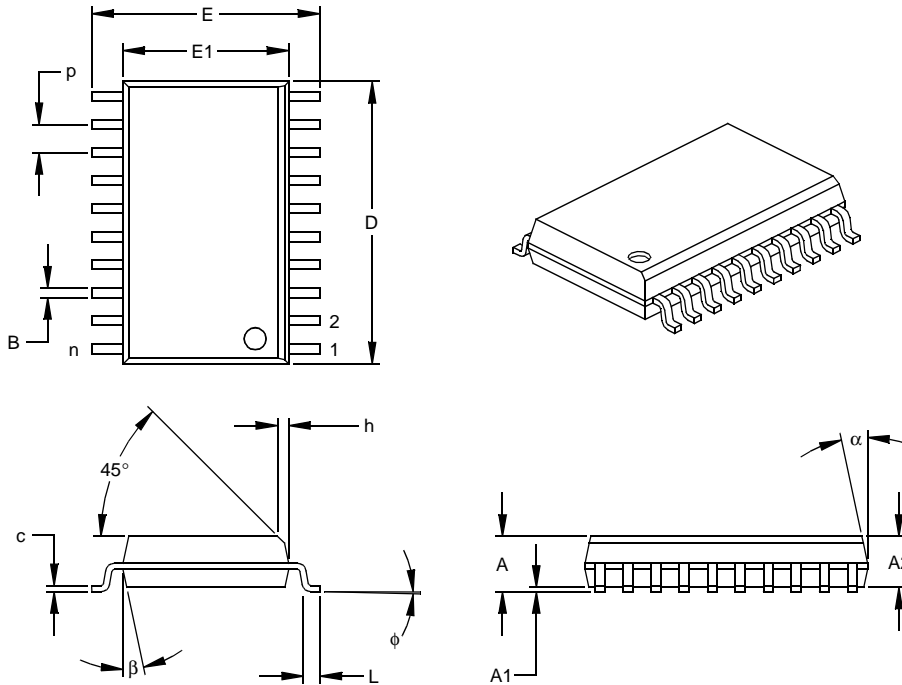
Drawing No. C04-019

## 17.6 20-Lead Ceramic Dual In-line with Window (JW) – 300 mil (CERDIP)

DRAWING NOT AVAILABLE

# PIC16C717/770/771

## 17.7 20-Lead Plastic Small Outline (SO) – Wide, 300 mi (SOIC)



Dimension Limits	Units	INCHES*			MILLIMETERS		
		MIN	NOM	MAX	MIN	NOM	MAX
Number of Pins	n		20			20	
Pitch	p		.050			1.27	
Overall Height	A	.093	.099	.104	2.36	2.50	2.64
Molded Package Thickness	A2	.088	.091	.094	2.24	2.31	2.39
Standoff §	A1	.004	.008	.012	0.10	0.20	0.30
Overall Width	E	.394	.407	.420	10.01	10.34	10.67
Molded Package Width	E1	.291	.295	.299	7.39	7.49	7.59
Overall Length	D	.496	.504	.512	12.60	12.80	13.00
Chamfer Distance	h	.010	.020	.029	0.25	0.50	0.74
Foot Length	L	.016	.033	.050	0.41	0.84	1.27
Foot Angle	φ	0	4	8	0	4	8
Lead Thickness	c	.009	.011	.013	0.23	0.28	0.33
Lead Width	B	.014	.017	.020	0.36	0.42	0.51
Mold Draft Angle Top	α	0	12	15	0	12	15
Mold Draft Angle Bottom	β	0	12	15	0	12	15

\* Controlling Parameter  
 § Significant Characteristic

### Notes:

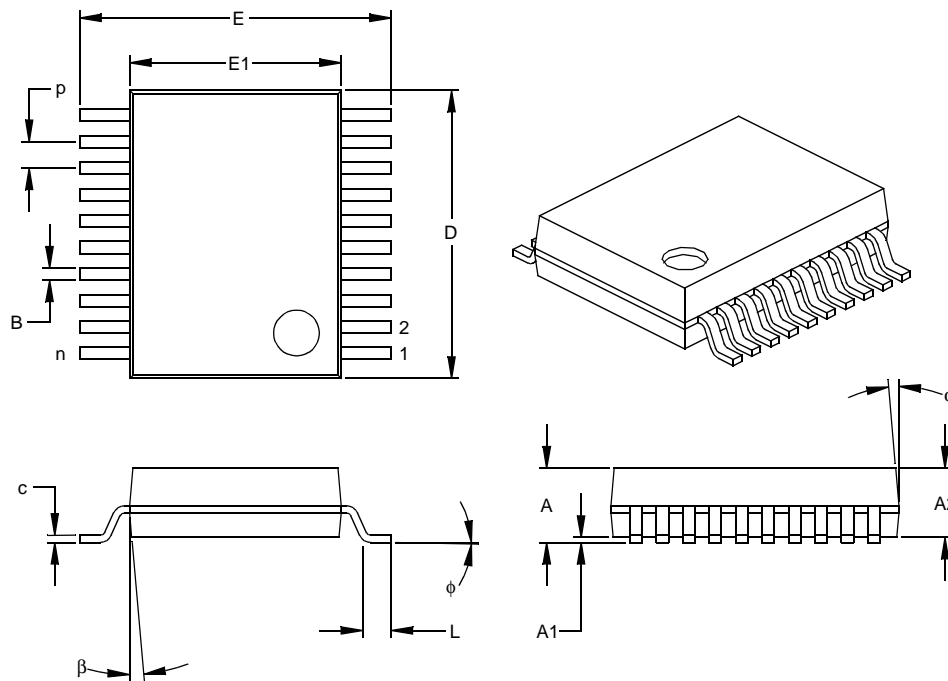
Dimensions D and E1 do not include mold flash or protrusions. Mold flash or protrusions shall not exceed .010" (0.254mm) per side.

JEDEC Equivalent: MS-013

Drawing No. C04-094

# PIC16C717/770/771

## 17.8 20-Lead Plastic Shrink Small Outline (SS) – 209 mil, 5.30 mm (SSOP)



Units		INCHES*			MILLIMETERS		
Dimension Limits		MIN	NOM	MAX	MIN	NOM	MAX
Number of Pins	n		20			20	
Pitch	p		.026			0.65	
Overall Height	A	.068	.073	.078	1.73	1.85	1.98
Molded Package Thickness	A2	.064	.068	.072	1.63	1.73	1.83
Standoff §	A1	.002	.006	.010	0.05	0.15	0.25
Overall Width	E	.299	.309	.322	7.59	7.85	8.18
Molded Package Width	E1	.201	.207	.212	5.11	5.25	5.38
Overall Length	D	.278	.284	.289	7.06	7.20	7.34
Foot Length	L	.022	.030	.037	0.56	0.75	0.94
Lead Thickness	c	.004	.007	.010	0.10	0.18	0.25
Foot Angle	φ	0	4	8	0.00	101.60	203.20
Lead Width	B	.010	.013	.015	0.25	0.32	0.38
Mold Draft Angle Top	α	0	5	10	0	5	10
Mold Draft Angle Bottom	β	0	5	10	0	5	10

\* Controlling Parameter

§ Significant Characteristic

Notes:

Dimensions D and E1 do not include mold flash or protrusions. Mold flash or protrusions shall not exceed .010" (0.254mm) per side.

JEDEC Equivalent: MO-150

Drawing No. C04-072

# PIC16C717/770/771

---

---

NOTES:



## APPENDIX A: REVISION HISTORY

Version	Date	Revision Description
A	09/14/99	This is a new data sheet. However, the devices described in this data sheet are the upgrades to the devices found in the <i>PIC16C7X Data Sheet</i> , DS30390E.
B	2/8/02	Electrical Characteristics tables completed and characteristics graphs added. MSSP I <sup>2</sup> C (Section 9.2) rewritten. General minor changes and corrections.

# PIC16C717/770/771

---

---

## APPENDIX B: DEVICE DIFFERENCES

The differences between the devices in this data sheet are listed in Table B-1.

**TABLE B-1: DEVICE DIFFERENCES**

Difference	PIC16C717	PIC16C770	PIC16C771
Program Memory	2K	2K	4K
A/D	6 channels, 10 bits	6 channels, 12 bits	6 channels, 12 bits
Dedicated AVDD and AVSS	Not available	Available	Available
Packages	18-pin PDIP, 18-pin windowed Cerdip, 18-pin SOIC, 20-pin SSOP	20-pin PDIP, 20-pin windowed Cerdip, 20-pin SOIC, 20-pin SSOP	20-pin PDIP, 20-pin windowed Cerdip, 20-pin SOIC, 20-pin SSOP

## INDEX

### A

A/D .....	105
A/D Converter Enable (ADIE Bit) .....	17
ADCON0 Register .....	105
ADCON1 Register .....	105, 107
ADRES Register .....	105
Block Diagram .....	109
Configuring Analog Port .....	108
Conversion time .....	115
Conversions .....	111
converter characteristics .....	164, 165, 166, 170
Faster Conversion - Lower Resolution Tradeoff .....	115
Internal Sampling Switch (Rss) Impedence .....	113
Operation During Sleep .....	116
Sampling Requirements .....	113
Sampling Time .....	113
Source Impedance .....	113
Special Event Trigger (ECCP) .....	55
A/D Conversion Clock .....	110
ACK .....	77
Acknowledge Data bit, AKD .....	69
Acknowledge Sequence Enable bit, AKE .....	69
Acknowledge Status bit, AKS .....	69
ACKSTAT .....	87
ADCON0 Register .....	105
ADCON1 Register .....	105, 107
ADRES .....	105
ADRES Register .....	11, 12, 105, 116
AKD .....	69
AKE .....	69
AKS .....	69
Analog-to-Digital Converter. <i>See</i> A/D	
Application Note AN578, "Use of the SSP Module in the I2C Multi-Master Environment." .....	84
Architecture	
PIC16C717/PIC16C717 Block Diagram .....	5
PIC16C770/771/PIC16C770/771 Block Diagram .....	6
Assembler	
MPASM Assembler .....	141

### B

Banking, Data Memory .....	9, 14
Baud Rate Generator .....	84
BF .....	66, 77, 87, 89
Block Diagrams	
Baud Rate Generator .....	84
I <sup>2</sup> C Master Mode .....	83
I <sup>2</sup> C Module .....	76
RA3:RA0 and RA5 Port Pins .....	26, 28, 29, 35
SSP (I <sup>2</sup> C Mode) .....	76
SSP (SPI Mode) .....	70
BOR. <i>See</i> Brown-out Reset	
BRG .....	84
Brown-out Reset (BOR) .....	117, 123, 124
Buffer Full bit, BF .....	77
Buffer Full Status bit, BF .....	66
Bus Arbitration .....	94
Bus Collision During a RESTART Condition .....	97
Bus Collision During a Start Condition .....	95
Bus Collision During a Stop Condition .....	98
Bus Collision Section .....	94

### C

Capture (ECCP Module) .....	54
Block Diagram .....	54
CCPR1H:CCPR1L Registers .....	54
Changing Between Capture Prescalers .....	54
ECCP Pin Configuration .....	54
Software Interrupt .....	54
Timer1 Mode Selection .....	54
Capture/Compare/PWM (ECCP)	
Capture Mode. <i>See</i> Capture	
Compare Mode. <i>See</i> Compare	
PWM Mode. <i>See</i> PWM	
CCP1CON .....	13
CCP2CON .....	13
CCPR1H Register .....	11, 13
CCPR1L Register .....	13
CCPR2H Register .....	13
CCPR2L Register .....	13
CKE .....	66
CKP .....	67
Clock Polarity Select bit, CKP .....	67
Code Examples	
Loading the SSPBUF register .....	71
Code Protection .....	117, 131
Compare (ECCP Module) .....	54
Block Diagram .....	55
CCPR1H:CCPR1L Registers .....	54
ECCP Pin Configuration .....	54
Software Interrupt .....	55
Special Event Trigger .....	49, 55
Timer1 Mode Selection .....	54
Configuration Bits .....	117

### D

D/A .....	66
Data Memory .....	9
Bank Select (RP Bits) .....	9, 14
General Purpose Registers .....	9
Register File Map .....	10
Special Function Registers .....	11
Data/Address bit, D/A .....	66
DC Characteristics	
PIC16C717/770/771 .....	150, 151, 153
Development Support .....	141
Device Differences .....	208
Direct Addressing .....	23

### E

Enhanced Capture/Compare/PWM (ECCP)	
CCP1	
CCPR1H Register .....	53
CCPR1L Register .....	53
Enable (CCP1IE Bit) .....	17
Timer Resources .....	54
Errata .....	3
External Power-on Reset Circuit .....	122

### F

Firmware Instructions .....	133
FSR Register .....	11, 12, 13

### G

GCE .....	69
General Call Address Sequence .....	82
General Call Address Support .....	82
General Call Enable bit, GCE .....	69

# PIC16C717/770/771

<b>I</b>	
I/O Ports .....	25
I <sup>2</sup> C .....	76
I <sup>2</sup> C Master Mode Reception .....	89
I <sup>2</sup> C Master Mode Restart Condition .....	86
I <sup>2</sup> C Mode Selection .....	76
I <sup>2</sup> C Module	
Acknowledge Sequence timing .....	91
Addressing .....	77
Baud Rate Generator .....	84
Block Diagram .....	83
BRG Block Diagram .....	84
BRG Reset due to SDA Collision .....	96
BRG Timing .....	85
Bus Arbitration .....	94
Bus Collision .....	94
Acknowledge .....	94
Restart Condition .....	97
Restart Condition Timing (Case1) .....	97
Restart Condition Timing (Case2) .....	97
Start Condition .....	95
Start Condition Timing .....	95, 96
Stop Condition .....	98
Stop Condition Timing (Case1) .....	98
Stop Condition Timing (Case2) .....	98
Transmit Timing .....	94
Bus Collision timing .....	94
Clock Arbitration .....	93
Clock Arbitration Timing (Master Transmit) .....	93
Conditions to not give ACK Pulse .....	77
General Call Address Support .....	82
Master Mode .....	83
Master Mode 7-bit Reception timing .....	90
Master Mode Operation .....	84
Master Mode Start Condition .....	85
Master Mode Transmission .....	87
Master Mode Transmit Sequence .....	84
Multi-Master Communication .....	94
Multi-master Mode .....	84
Operation .....	76
Repeat Start Condition timing .....	86
Slave Mode .....	76
Slave Reception .....	78
Slave Transmission .....	80
SSPBUF .....	76
Stop Condition Receive or Transmit timing .....	92
Stop Condition timing .....	92
Waveforms for 7-bit Reception .....	78
Waveforms for 7-bit Transmission .....	80
I <sup>2</sup> C Slave Mode .....	76
ICEPIC In-Circuit Emulator .....	142
ID Locations .....	117, 131
In-Circuit Serial Programming (ICSP) .....	117, 131
INDF .....	13
INDF Register .....	11, 12
Indirect Addressing .....	23
FSR Register .....	9
Instruction Format .....	133
Instruction Set .....	133
ADDLW .....	135
ADDWF .....	135
ANDLW .....	135
ANDWF .....	135
BCF .....	135
BSF .....	135
BTFSC .....	136
BTFSS .....	136
CALL .....	136
CLRf .....	136
CLRWF .....	136
CLRWDt .....	136
COMF .....	137
DECF .....	137
DECFSZ .....	137
GOTO .....	137
INCF .....	137
INCFSZ .....	137
IORLW .....	138
IORWF .....	138
MOVF .....	138
MOVLW .....	138
MOVWF .....	138
NOP .....	138
RETFIE .....	139
RETLW .....	139
RETURN .....	139
RLF .....	139
RRF .....	139
SLEEP .....	139
SUBLW .....	140
SUBWF .....	140
SWAPF .....	140
XORLW .....	140
XORWF .....	140
Summary Table .....	134
INT Interrupt (RB0/INT). See Interrupt Sources	
INTCON .....	13
INTCON Register .....	16
GIE Bit .....	16
INTE Bit .....	16
INTF Bit .....	16
PEIE Bit .....	16
RBIE Bit .....	16
RBIF Bit .....	16, 33
TOIE Bit .....	16
TOIF Bit .....	16
Inter-Integrated Circuit (I <sup>2</sup> C) .....	65
internal sampling switch (R <sub>ss</sub> ) impedance .....	113
Interrupt Sources .....	117, 127
Block Diagram .....	127
Capture Complete (ECCP) .....	54
Compare Complete (ECCP) .....	55
RB0/INT Pin, External .....	128
TMR0 Overflow .....	46, 128
TMR1 Overflow .....	47, 49
TMR2 to PR2 Match .....	52
TMR2 to PR2 Match (PWM) .....	51, 56
Interrupts	
Synchronous Serial Port Interrupt .....	18
Interrupts, Context Saving During .....	128
Interrupts, Enable Bits	
A/D Converter Enable (ADIE Bit) .....	17
CCP1 Enable (CCP1IE Bit) .....	17, 54
Global Interrupt Enable (GIE Bit) .....	16, 127
Interrupt-on-Change (RB7:RB4) Enable (RBIE Bit) .....	16, 128
Peripheral Interrupt Enable (PEIE Bit) .....	16
PSP Read/Write Enable (PSPIE Bit) .....	17
RB0/INT Enable (INTE Bit) .....	16
SSP Enable (SSPIE Bit) .....	17
TMR0 Overflow Enable (TOIE Bit) .....	16
TMR1 Overflow Enable (TMR1IE Bit) .....	17

TMR2 to PR2 Match Enable (TMR2IE Bit) .....	17	PICDEM 3 Low Cost PIC16CXXX	
USART Receive Enable (RCIE Bit) .....	17, 18	Demonstration Board.....	144
Interrupts, Flag Bits		PICSTART Plus Entry Level	
CCP1 Flag (CCP1IF Bit) .....	54	Development Programmer.....	143
Interrupt on Change (RB7:RB4) Flag		PIE1 Register .....	17
(RBIF Bit) .....	16, 33, 128	ADIE Bit.....	17
RB0/INT Flag (INTF Bit).....	16	CCP1IE Bit .....	17
TMR0 Overflow Flag (T0IF Bit) .....	16, 128	PSPIE Bit.....	17
INTRC Mode .....	120	RCIE Bit.....	17, 18
<b>K</b>		SSPIE Bit.....	17
KEELOQ Evaluation and Programming Tools .....	144	TMR1IE Bit .....	17
<b>L</b>		TMR2IE Bit .....	17
LVDCON .....	101	PIE2 Register .....	19
<b>M</b>		Pinout Descriptions	
Master Clear (MCLR)		PIC16C770 .....	7
MCLR Reset, Normal Operation .....	121, 123, 124	PIC16C770/771 .....	7
MCLR Reset, SLEEP .....	121, 123, 124	PIC16C771 .....	7
Memory Organization		PIR1 Register .....	18
Data Memory .....	9	PIR2 Register .....	20
Program Memory .....	9	Pointer, FSR .....	23
MPLAB C17 and MPLAB C18 C Compilers.....	141	POR. See Power-on Reset	
MPLAB ICD In-Circuit Debugger .....	143	PORTA .....	13
MPLAB ICE High Performance Universal In-Circuit		Initialization.....	26
Emulator with MPLAB IDE .....	142	PORTA Register.....	25
MPLAB Integrated Development Environment Software ..	141	TRISA Register.....	25
MPLINK Object Linker/MPLIB Object Librarian .....	142	PORTA Register .....	11, 116
Multi-Master Communication .....	94	PORTB .....	13
Multi-Master Mode .....	84	Initialization.....	33
<b>O</b>		PORTB Register.....	33
OPCODE Field Descriptions.....	133	Pull-up Enable (RBPU Bit).....	15
OPTION_REG Register .....	15	RB0/INT Edge Select (INTEDG Bit) .....	15
INTEDG Bit .....	15	RB0/INT Pin, External .....	128
PS Bits .....	15, 45	RB7:RB4 Interrupt on Change.....	128
PSA Bit.....	15, 45	RB7:RB4 Interrupt on Change Enable	
RBPU Bit.....	15	(RBIE Bit) .....	16, 128
T0CS Bit.....	15, 45	RB7:RB4 Interrupt on Change Flag	
T0SE Bit.....	15, 45	(RBIF Bit).....	16, 33, 128
Oscillator Configuration.....	119	TRISB Register.....	33
CLKOUT .....	120	PORTB Register .....	11, 116
Dual Speed Operation for ER and		Postscaler, Timer2	
INTRC Modes .....	120	Select (TOUTPS Bits).....	51
EC .....	119, 123	Postscaler, WDT.....	45
ER .....	119, 123	Assignment (PSA Bit) .....	15, 45
ER Mode .....	120	Block Diagram .....	46
HS .....	119, 123	Rate Select (PS Bits).....	15, 45
INTRC .....	119, 123	Switching Between Timer0 and WDT .....	46
LP.....	119, 123	Power-down Mode. See SLEEP	
XT .....	119, 123	Power-on Reset (POR).....	117, 121, 122, 123, 124
Oscillator, Timer1 .....	47, 49	Oscillator Start-up Timer (OST).....	117, 122
Oscillator, WDT .....	129	Power Control (PCON) Register.....	123
<b>P</b>		Power-down (PD Bit) .....	14
P .....	66	Power-on Reset Circuit, External .....	122
Packaging .....	197	Power-up Timer (PWRT) .....	117, 122
Paging, Program Memory .....	9, 22	Time-out (TO Bit) .....	14
Parallel Slave Port (PSP)		Time-out Sequence .....	123
Read/Write Enable (PSPIE Bit).....	17	Time-out Sequence on Power-up.....	125, 126
PCL Register.....	11, 12	PR2 Register .....	12
PCLATH Register .....	11, 12, 13	Prescaler, Capture.....	54
PCON Register .....	21, 123	Prescaler, Timer0 .....	45
PICDEM 1 Low Cost PICmicro		Assignment (PSA Bit) .....	15, 45
Demonstration Board .....	143	Block Diagram .....	46
PICDEM 17 Demonstration Board .....	144	Rate Select (PS Bits).....	15, 45
PICDEM 2 Low Cost PIC16CXX		Switching Between Timer0 and WDT .....	46
Demonstration Board .....	143	Prescaler, Timer1 .....	48
		Select (T1CKPS Bits) .....	47

# PIC16C717/770/771

Prescaler, Timer2.....	57	<b>S</b>	
Select (T2CKPS Bits).....	51	S.....	66
PRO MATE II Universal Device Programmer .....	143	SAE.....	69
Program Counter		SCK.....	70
PCL Register.....	22	SCL.....	76
PCLATH Register .....	22, 128	SDA.....	76
Reset Conditions.....	123	SDI.....	70
Program Memory .....	9	SDO.....	70
Interrupt Vector .....	9	Serial Data In, SDI.....	70
Paging.....	9, 22	Serial Data Out, SDO .....	70
Program Memory Map .....	9	Slave Select Synchronization .....	73
READ (PMR).....	43	Slave Select, $\overline{SS}$ .....	70
Reset Vector .....	9	SLEEP .....	117, 121, 130
Program Verification.....	131	SMP.....	66
Programmable Brown-out Reset (PBOR) .....	121, 122	Software Simulator (MPLAB SIM) .....	142
Programming, Device Instructions .....	133	SPE.....	69
PWM (CCP Module)		Special Event Trigger. See Compare	
TMR2 to PR2 Match .....	51	Special Features of the CPU .....	117
TMR2 to PR2 Match Enable (TMR2IE Bit) .....	17	Special Function Registers .....	11
PWM (ECCP Module) .....	56	PIC16C717 .....	11
Block Diagram.....	56	PIC16C717/770/771 .....	11
CCPR1H:CCPR1L Registers.....	56	PIC16C770.....	11
Duty Cycle.....	57	PIC16C771 .....	11
Output Diagram.....	57	Speed, Operating.....	1
Period.....	56	<b>SPI</b>	
TMR2 to PR2 Match .....	56	Master Mode.....	72
<b>Q</b>		Serial Clock.....	70
Q Clock .....	57	Serial Data In .....	70
<b>R</b>		Serial Data Out .....	70
$\overline{R/W}$ .....	66	Serial Peripheral Interface (SPI).....	65
R/W bit .....	80	Slave Select.....	70
$\overline{R/W}$ bit .....	78	SPI clock.....	72
R/W bit .....	77	SPI Mode.....	70
RAM. See Data Memory		SPI Clock Edge Select, CKE .....	66
RCE, Receive Enable bit, RCE .....	69	SPI Data Input Sample Phase Select, SMP .....	66
RCREG .....	13	SPI Master/Slave Connection .....	71
RCSTA Register.....	13	SPI Module	
Read/Write bit, $\overline{R/W}$ .....	66	Master/Slave Connection.....	71
Receive Overflow Indicator bit, SSPOV .....	67	Slave Mode.....	73
REFCON .....	102	Slave Select Synchronization .....	73
Register File .....	9	Slave Synch Timnig.....	73
Register File Map .....	10	$\overline{SS}$ .....	70
Registers		SSP.....	65
FSR Summary .....	13	Block Diagram (SPI Mode) .....	70
INDF Summary .....	13	Enable (SSPIE Bit) .....	17
INTCON Summary.....	13	SPI Mode.....	70
PCL Summary.....	13	SSPADD .....	77
PCLATH Summary .....	13	SSPBUF .....	72, 76
PORTB Summary .....	13	SSPCON .....	67
SSPSTAT.....	66, 101	SSPCON2 .....	69, 70
STATUS Summary .....	13	SSPSR .....	72, 77
TMR0 Summary .....	13	SSPSTAT .....	66, 76, 101
TRISB Summary .....	13	TMR2 Output for Clock Shift.....	51, 52
Reset.....	117, 121	<b>SPI I<sup>2</sup>C</b>	
Block Diagram.....	121	SSP I <sup>2</sup> C Operation .....	76
Brown-out Reset (BOR). See Brown-out Reset (BOR)		<b>SSP Module</b>	
MCLR Reset. See MCLR		SPI Master Mode.....	72
Power-on Reset (POR). See Power-on Reset (POR)		SPI Master./Slave Connection.....	71
Reset Conditions for All Registers .....	124	SPI Slave Mode.....	73
Reset Conditions for PCON Register.....	123	SSPCON1 Register .....	76
Reset Conditions for Program Counter.....	123	SSP Overflow Detect bit, SSPOV.....	77
Reset Conditions for STATUS Register.....	123	SSPADD Register.....	12
WDT Reset. See Watchdog Timer (WDT)		SSPBUF .....	13, 76, 77
Restart Condition Enabled bit, RSE .....	69	SSPBUF Register .....	11
Revision History .....	207	SSPCON.....	67
RSE.....	69	SSPCON Register .....	11

SSPCON1 .....	76	Timer2	
SSPCON2 .....	69, 70	Block Diagram .....	52
SSPEN .....	67	Postscaler. See Postscaler, Timer2	
SSPIF .....	18, 78	PR2 Register .....	51, 56
SSPM .....	68	Prescaler. See Prescaler, Timer2	
SSPOV .....	67, 77, 89	SSP Clock Shift .....	51, 52
SSPSTAT .....	66, 76, 101	T2CON Register .....	51
SSPSTAT Register .....	12	TMR2 Register .....	51
Stack .....	22	TMR2 to PR2 Match Enable (TMR2IE Bit) .....	17
Start bit (S) .....	66	TMR2 to PR2 Match Interrupt .....	51, 52, 56
Start Condition Enabled bit, SAE .....	69	Timing Diagrams	
STATUS Register .....	14, 15, 128	Acknowledge Sequence Timing .....	91
C Bit .....	14	Baud Rate Generator with Clock Arbitration .....	85
DC Bit .....	14, 15	BRG Reset Due to SDA Collision .....	96
IRP Bit .....	14	Brown-out Reset .....	159
PD Bit .....	14	Bus Collision	
RP Bits .....	14	Start Condition Timing .....	95
TO Bit .....	14	Bus Collision During a Restart Condition	
Z Bit .....	14	(Case 1) .....	97
Status Register .....	14	Bus Collision During a Restart Condition	
Stop bit (P) .....	66	(Case2) .....	97
Stop Condition Enable bit .....	69	Bus Collision During a Start Condition	
Synchronous Serial Port .....	65	(SCL = 0) .....	96
Synchronous Serial Port Enable bit, SSPEN .....	67	Bus Collision During a Stop Condition .....	98
Synchronous Serial Port Interrupt .....	18	Bus Collision for Transmit and Acknowledge .....	94
Synchronous Serial Port Mode Select bits, SSPM .....	68	Capture/Compare/PWM .....	161
<b>T</b>		CLKOUT and I/O .....	157
T1CON .....	13	External Clock Timing .....	157
T1CON Register .....	13, 47	I <sup>2</sup> C Bus Data .....	177
T1CKPS Bits .....	47	I <sup>2</sup> C Master Mode First Start bit timing .....	85
T1OSCEN Bit .....	47	I <sup>2</sup> C Master Mode Reception timing .....	90
T1SYNC Bit .....	47	I <sup>2</sup> C Master Mode Transmission timing .....	88
TMR1CS Bit .....	47	Master Mode Transmit Clock Arbitration .....	93
TMR1ON Bit .....	47	Power-up Timer .....	159
T2CON Register .....	13, 51	Repeat Start Condition .....	86
T2CKPS Bits .....	51	Reset .....	159
TMR2ON Bit .....	51	Slave Synchronization .....	73
TOUTPS Bits .....	51	Start-up Timer .....	159
Timer0		Stop Condition Receive or Transmit .....	92
Block Diagram .....	45	Time-out Sequence on Power-up .....	125, 126
Clock Source Edge Select (T0SE Bit) .....	15, 45	Timer0 .....	160
Clock Source Select (T0CS Bit) .....	15, 45	Timer1 .....	160
Overflow Enable (T0IE Bit) .....	16	Wake-up from SLEEP via Interrupt .....	131
Overflow Flag (T0IF Bit) .....	16, 128	Watchdog Timer .....	159
Overflow Interrupt .....	46, 128	TMR0 .....	13
Prescaler. See Prescaler, Timer0		TMR0 Register .....	11
Timer1 .....	47	TMR1H .....	13
Block Diagram .....	48	TMR1H Register .....	11
Capacitor Selection .....	49	TMR1L .....	13
Clock Source Select (TMR1CS Bit) .....	47	TMR1L Register .....	11
External Clock Input Sync (T1SYNC Bit) .....	47	TMR2 .....	13
Module On/Off (TMR1ON Bit) .....	47	TMR2 Register .....	11
Oscillator .....	47, 49	TRISA Register .....	12, 116
Oscillator Enable (T1OSCEN Bit) .....	47	TRISB Register .....	12, 116
Overflow Enable (TMR1IE Bit) .....	17	TXREG .....	13
Overflow Interrupt .....	47, 49	<b>U</b>	
Prescaler. See Prescaler, Timer1		Update Address, UA .....	66
Special Event Trigger (ECCP) .....	49, 55	USART	
T1CON Register .....	47	Receive Enable (RCIE Bit) .....	17, 18
TMR1H Register .....	47		
TMR1L Register .....	47		

# PIC16C717/770/771

---

---

## W

W Register .....	128
Wake-up from SLEEP .....	117, 130
Interrupts .....	123, 124
MCLR Reset .....	124
Timing Diagram .....	131
WDT Reset .....	124
Watchdog Timer (WDT) .....	117, 129
Block Diagram .....	129
Enable (WDTE Bit) .....	129
Postscaler. See Postscaler, WDT	
Programming Considerations .....	129
RC Oscillator .....	129
Time-out Period .....	129
WDT Reset, Normal Operation .....	121, 123, 124
WDT Reset, SLEEP .....	123, 124
Waveform for General Call Address Sequence .....	82
WCOL .....	67, 85, 87, 89, 91, 92
WCOL Status Flag .....	85
Write Collision Detect bit, WCOL .....	67
WWW, On-Line Support .....	3



## ON-LINE SUPPORT

Microchip provides on-line support on the Microchip World Wide Web (WWW) site.

The web site is used by Microchip as a means to make files and information easily available to customers. To view the site, the user must have access to the Internet and a web browser, such as Netscape or Microsoft Explorer. Files are also available for FTP download from our FTP site.

### Connecting to the Microchip Internet Web Site

The Microchip web site is available by using your favorite Internet browser to attach to:

**[www.microchip.com](http://www.microchip.com)**

The file transfer site is available by using an FTP service to connect to:

**<ftp://ftp.microchip.com>**

The web site and file transfer site provide a variety of services. Users may download files for the latest Development Tools, Data Sheets, Application Notes, User's Guides, Articles and Sample Programs. A variety of Microchip specific business information is also available, including listings of Microchip sales offices, distributors and factory representatives. Other data available for consideration is:

- Latest Microchip Press Releases
- Technical Support Section with Frequently Asked Questions
- Design Tips
- Device Errata
- Job Postings
- Microchip Consultant Program Member Listing
- Links to other useful web sites related to Microchip Products
- Conferences for products, Development Systems, technical information and more
- Listing of seminars and events

## Systems Information and Upgrade Hot Line

The Systems Information and Upgrade Line provides system users a listing of the latest versions of all of Microchip's development systems software products. Plus, this line provides information on how customers can receive any currently available upgrade kits. The Hot Line Numbers are:

1-800-755-2345 for U.S. and most of Canada, and

1-480-792-7302 for the rest of the world.

013001

# PIC16C717/770/771

---

---

## READER RESPONSE

It is our intention to provide you with the best documentation possible to ensure successful use of your Microchip product. If you wish to provide your comments on organization, clarity, subject matter, and ways in which our documentation can better serve you, please FAX your comments to the Technical Publications Manager at (480) 792-4150.

Please list the following information, and use this outline to provide us with your comments about this Data Sheet.

To: Technical Publications Manager Total Pages Sent  
RE: Reader Response  
From: Name \_\_\_\_\_  
Company \_\_\_\_\_  
Address \_\_\_\_\_  
City / State / ZIP / Country \_\_\_\_\_  
Telephone: (\_\_\_\_\_) \_\_\_\_\_ - \_\_\_\_\_ FAX: (\_\_\_\_\_) \_\_\_\_\_ - \_\_\_\_\_

Application (optional):

Would you like a reply? \_\_\_Y \_\_\_N

Device: **PIC16C717/770/771** Literature Number: **DS41120B**

Questions:

1. What are the best features of this document?

---

---

2. How does this document meet your hardware and software development needs?

---

---

3. Do you find the organization of this data sheet easy to follow? If not, why?

---

---

4. What additions to the data sheet do you think would enhance the structure and subject?

---

---

5. What deletions from the data sheet could be made without affecting the overall usefulness?

---

---

6. Is there any incorrect or misleading information (what and where)?

---

---

7. How would you improve this document?

---

---

8. How would you improve our software, systems, and silicon products?

---

---

# PIC16C717/770/771

## PIC16C717/770/771 PRODUCT IDENTIFICATION SYSTEM

To order or obtain information, e.g., on pricing or delivery, refer to the factory or the listed sales office.

<u>PART NO.</u>	<u>X</u>	<u>/XX</u>	<u>XXX</u>
Device	Temperature Range	Package	Pattern
Device	PIC16C771 : V <sub>DD</sub> range 4.0V to 5.5V PIC16C771T : V <sub>DD</sub> range 4.0V to 5.5V (Tape/Reel) PIC16LC771 : V <sub>DD</sub> range 2.5V to 5.5V PIC16LC771T : V <sub>DD</sub> range 2.5V to 5.5V (Tape/Reel)		
Temperature Range:	- = 0°C to +70°C I = -40°C to +85°C E = -40°C to +125°C		
Package	JW = Windowed CERDIP SO = SOIC P = PDIP SS = SSOP		
Pattern	QTP, SQTP, Code or Special Requirements. Blank for OTP and Windowed devices.		

**Examples:**

a) PIC16C771/P Commercial Temp., PDIP package, normal V<sub>DD</sub> limits

\* JW Devices are UV erasable and can be programmed to any device configuration. JW Devices meet the electrical requirement of each oscillator type.

### Sales and Support

#### Data Sheets

Products supported by a preliminary Data Sheet may have an errata sheet describing minor operational differences and recommended workarounds. To determine if an errata sheet exists for a particular device, please contact one of the following:

1. Your local Microchip sales office
2. The Microchip Corporate Literature Center U.S. FAX: (480) 792-7277
3. The Microchip Worldwide Site ([www.microchip.com](http://www.microchip.com))

Please specify which device, revision of silicon and Data Sheet (include Literature #) you are using.

#### New Customer Notification System

Register on our web site ([www.microchip.com/cn](http://www.microchip.com/cn)) to receive the most current information on our products.



# MICROCHIP

## WORLDWIDE SALES AND SERVICE

### AMERICAS

#### Corporate Office

2355 West Chandler Blvd.  
Chandler, AZ 85224-6199  
Tel: 480-792-7200 Fax: 480-792-7277  
Technical Support: 480-792-7627  
Web Address: <http://www.microchip.com>

#### Rocky Mountain

2355 West Chandler Blvd.  
Chandler, AZ 85224-6199  
Tel: 480-792-7966 Fax: 480-792-7456

#### Atlanta

500 Sugar Mill Road, Suite 200B  
Atlanta, GA 30350  
Tel: 770-640-0034 Fax: 770-640-0307

#### Boston

2 Lan Drive, Suite 120  
Westford, MA 01886  
Tel: 978-692-3848 Fax: 978-692-3821

#### Chicago

333 Pierce Road, Suite 180  
Itasca, IL 60143  
Tel: 630-285-0071 Fax: 630-285-0075

#### Dallas

4570 Westgrove Drive, Suite 160  
Addison, TX 75001  
Tel: 972-818-7423 Fax: 972-818-2924

#### Detroit

Tri-Atria Office Building  
32255 Northwestern Highway, Suite 190  
Farmington Hills, MI 48334  
Tel: 248-538-2250 Fax: 248-538-2260

#### Kokomo

2767 S. Albright Road  
Kokomo, Indiana 46902  
Tel: 765-864-8360 Fax: 765-864-8387

#### Los Angeles

18201 Von Karman, Suite 1090  
Irvine, CA 92612  
Tel: 949-263-1888 Fax: 949-263-1338

#### New York

150 Motor Parkway, Suite 202  
Hauppauge, NY 11788  
Tel: 631-273-5305 Fax: 631-273-5335

#### San Jose

Microchip Technology Inc.  
2107 North First Street, Suite 590  
San Jose, CA 95131  
Tel: 408-436-7950 Fax: 408-436-7955

#### Toronto

6285 Northam Drive, Suite 108  
Mississauga, Ontario L4V 1X5, Canada  
Tel: 905-673-0699 Fax: 905-673-6509

### ASIA/PACIFIC

#### Australia

Microchip Technology Australia Pty Ltd  
Suite 22, 41 Rawson Street  
Epping 2121, NSW  
Australia  
Tel: 61-2-9868-6733 Fax: 61-2-9868-6755

#### China - Beijing

Microchip Technology Consulting (Shanghai)  
Co., Ltd., Beijing Liaison Office  
Unit 915  
Bei Hai Wan Tai Bldg.  
No. 6 Chaoyangmen Beidajie  
Beijing, 100027, No. China  
Tel: 86-10-85282100 Fax: 86-10-85282104

#### China - Chengdu

Microchip Technology Consulting (Shanghai)  
Co., Ltd., Chengdu Liaison Office  
Rm. 2401, 24th Floor,  
Ming Xing Financial Tower  
No. 88 TIDU Street  
Chengdu 610016, China  
Tel: 86-28-6766200 Fax: 86-28-6766599

#### China - Fuzhou

Microchip Technology Consulting (Shanghai)  
Co., Ltd., Fuzhou Liaison Office  
Unit 28F, World Trade Plaza  
No. 71 Wusi Road  
Fuzhou 350001, China  
Tel: 86-591-7503506 Fax: 86-591-7503521

#### China - Shanghai

Microchip Technology Consulting (Shanghai)  
Co., Ltd.  
Room 701, Bldg. B  
Far East International Plaza  
No. 317 Xian Xia Road  
Shanghai, 200051  
Tel: 86-21-6275-5700 Fax: 86-21-6275-5060

#### China - Shenzhen

Microchip Technology Consulting (Shanghai)  
Co., Ltd., Shenzhen Liaison Office  
Rm. 1315, 13/F, Shenzhen Kerry Centre,  
Renminnan Lu  
Shenzhen 518001, China  
Tel: 86-755-2350361 Fax: 86-755-2366086

#### Hong Kong

Microchip Technology Hongkong Ltd.  
Unit 901-6, Tower 2, Metroplaza  
223 Hing Fong Road  
Kwai Fong, N.T., Hong Kong  
Tel: 852-2401-1200 Fax: 852-2401-3431

#### India

Microchip Technology Inc.  
India Liaison Office  
Divyasree Chambers  
1 Floor, Wing A (A3/A4)  
No. 11, O'Shaughnessey Road  
Bangalore, 560 025, India  
Tel: 91-80-2290061 Fax: 91-80-2290062

### Japan

Microchip Technology Japan K.K.  
Benex S-1 6F  
3-18-20, Shinyokohama  
Kohoku-Ku, Yokohama-shi  
Kanagawa, 222-0033, Japan  
Tel: 81-45-471- 6166 Fax: 81-45-471-6122

### Korea

Microchip Technology Korea  
168-1, Youngbo Bldg. 3 Floor  
Samsung-Dong, Kangnam-Ku  
Seoul, Korea 135-882  
Tel: 82-2-554-7200 Fax: 82-2-558-5934

### Singapore

Microchip Technology Singapore Pte Ltd.  
200 Middle Road  
#07-02 Prime Centre  
Singapore, 188980  
Tel: 65-334-8870 Fax: 65-334-8850

### Taiwan

Microchip Technology Taiwan  
11F-3, No. 207  
Tung Hua North Road  
Taipei, 105, Taiwan  
Tel: 886-2-2717-7175 Fax: 886-2-2545-0139

### EUROPE

#### Denmark

Microchip Technology Nordic ApS  
Regus Business Centre  
Lautrup hof 1-3  
Ballerup DK-2750 Denmark  
Tel: 45 4420 9895 Fax: 45 4420 9910

#### France

Microchip Technology SARL  
Parc d'Activite du Moulin de Massy  
43 Rue du Saule Trapu  
Batiment A - 1er Etage  
91300 Massy, France  
Tel: 33-1-69-53-63-20 Fax: 33-1-69-30-90-79

#### Germany

Microchip Technology GmbH  
Gustav-Heinemann Ring 125  
D-81739 Munich, Germany  
Tel: 49-89-627-144 0 Fax: 49-89-627-144-44

#### Italy

Microchip Technology SRL  
Centro Direzionale Colleoni  
Palazzo Taurus 1 V. Le Colleoni 1  
20041 Agrate Brianza  
Milan, Italy  
Tel: 39-039-65791-1 Fax: 39-039-6899883

#### United Kingdom

Arizona Microchip Technology Ltd.  
505 Eskdale Road  
Winnersh Triangle  
Wokingham  
Berkshire, England RG41 5TU  
Tel: 44 118 921 5869 Fax: 44-118 921-5820

01/18/02