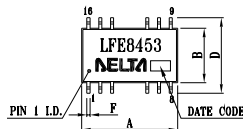




SPECIFICATION FOR APPROVAL

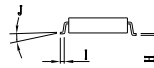
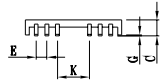
CUSTOMER PART NO.: DELTA PART NO.: LFE8453 PART NAME: Lan filter	REV.: B

1. MECHANICAL DIMENSIONS :

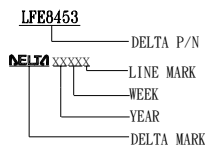


UNIT : mm / inch

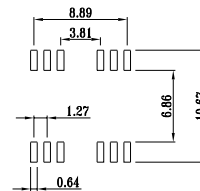
- A = 12.70±0.254 / 0.500±0.010
- B = 7.11±0.254 / 0.280±0.010
- C = 1.90±0.254 / 0.075±0.010
- D = 9.52±0.254 / 0.375±0.010
- E = 1.27 / 0.050 (TYP)
- F = 0.46±0.127 / 0.018±0.005
- G = 0.050 / 0.002 MIN
- H = 0.254 / 0.010 (TYP)
- I = 0.38~1.27 / 0.015~0.050
- J = 0°~8°
- K = 3.81 / 0.150 (TYP)



2. MARKING AND RECOMMENDED PCB LAYOUT :



* MARKING



SUGGESTED PAD LAYOUT

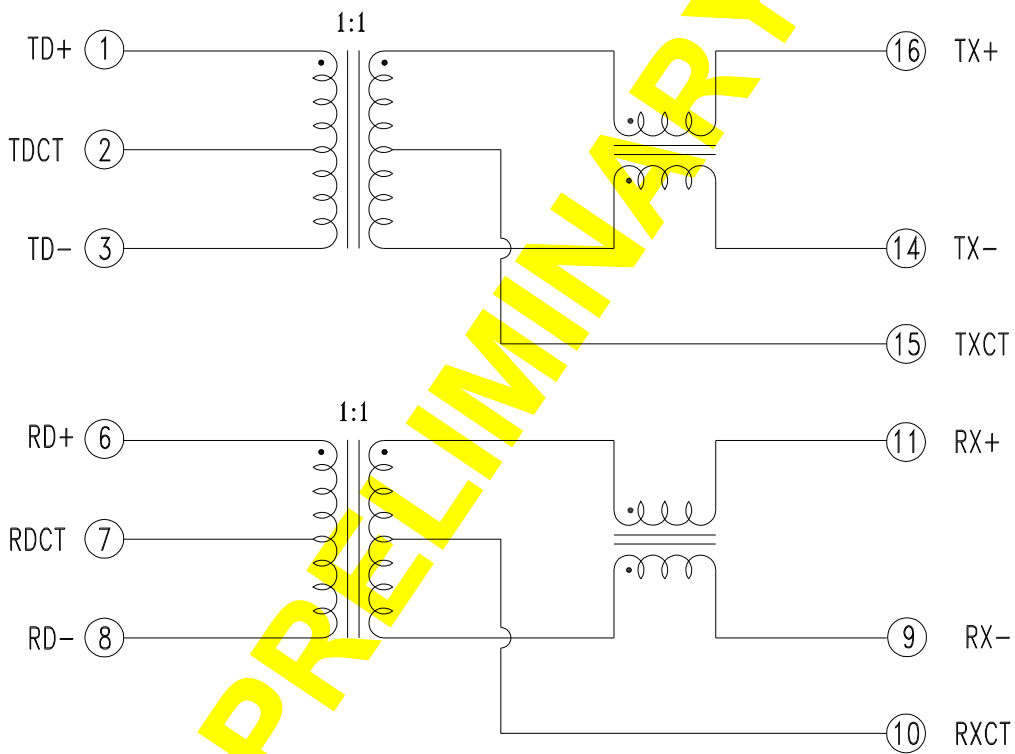
* This specification is the proprietary of Delta Electronics, Inc.
 * This specification is only for preliminary review. If formal specification is required, please contact with our local Sales office or Rep.



SPECIFICATION FOR APPROVAL

CUSTOMER PART NO.:	REV.: B
DELTA PART NO.: LFE8453	
PART NAME: Lan filter	

3. CIRCUIT SCHEMATIC:



* This specification is the proprietary of Delta Electronics, Inc.
* This specification is only for preliminary review. If formal specification is required, please contact with our local Sales office or Rep.



SPECIFICATION FOR APPROVAL

CUSTOMER PART NO.: DELTA PART NO.: LFE8453 PART NAME: Lan filter	REV.: B												
<p>4. ELECTRICAL CHARACTERISTICS (TEMP: 25°C, HUM: 65% RH):</p> <p>4-1. INSERTION LOSS 1-100MHz -1.2dB MAX</p> <p>4-2. RETURN LOSS</p> <table border="0"><tr><td>1-30MHz</td><td>-18dB</td><td>MIN</td></tr><tr><td>40MHz</td><td>-15.5dB</td><td>MIN</td></tr><tr><td>50MHz</td><td>-13.6dB</td><td>MIN</td></tr><tr><td>60-80MHz</td><td>-10dB</td><td>MIN</td></tr></table> <p>4-3. CROSS TALK 1-100MHz -38dB MIN</p> <p>4-4. CMRR 0.1-100MHz -30dB TYP</p> <p>4-5. HI-POT TEST @60HZ (PRI TO SEC) : 1500Vrms, 60Sec</p> <p>4-6. INDUCTANCE @100KHz, 0.1Vrms. (1-3), (6-8): 350uH MIN.</p> <p>4-7. TURNS RATIO @100KHz. (1-3:16-14):1CT:1CT±3% (6-8:11-9):1CT:1CT±3%</p> <p>* RoHS COMPLIANT * SOLDER BAR: SAC305 Sn96.5/Ag3.0/Cu0.5 * STORAGE TEMPERATURE RANGE: -25°C ~ 85°C * OPERATE TEMPERATURE RANGE: 0 ~ 70°C</p>		1-30MHz	-18dB	MIN	40MHz	-15.5dB	MIN	50MHz	-13.6dB	MIN	60-80MHz	-10dB	MIN
1-30MHz	-18dB	MIN											
40MHz	-15.5dB	MIN											
50MHz	-13.6dB	MIN											
60-80MHz	-10dB	MIN											

* This specification is the proprietary of Delta Electronics, Inc.
* This specification is only for preliminary review. If formal specification is required, please contact with our local Sales office or Rep.