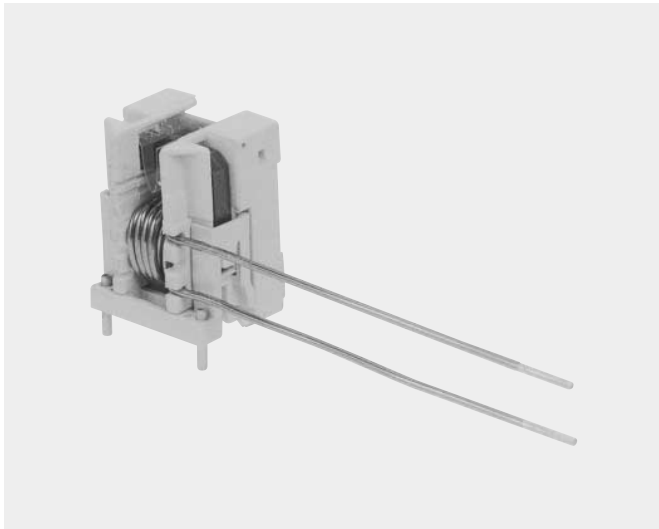


Watt sensor

PCB-mounting type

Watt sensor



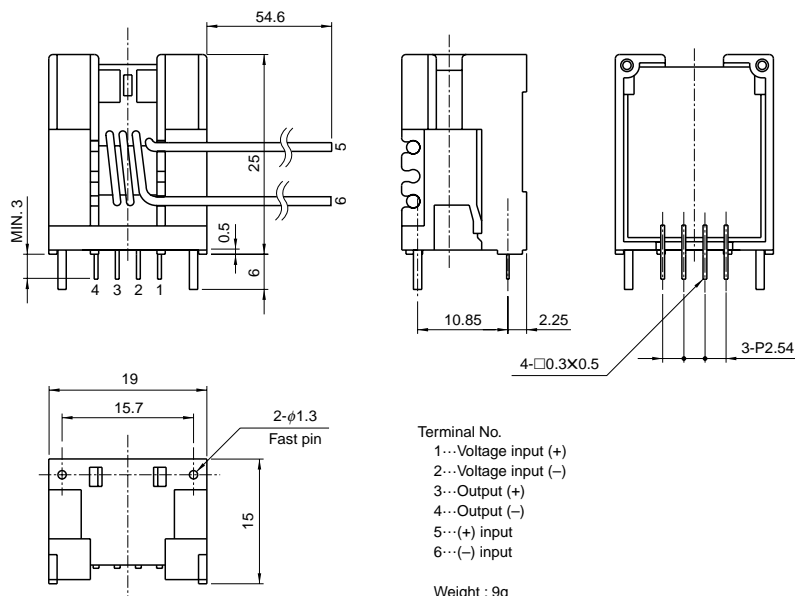
- Rated current1A~10A
- Good input/output linearity

Applications

Power measurement meter, power converter

Dimensions

(mm)



Specification Ta=25°C

Type	HW-PS01	HW-PS05	HW-PS10
Rated current [If]	±1A	±5A	±10A
Saturation current [Is]	±1.6A	±8A	±16A
Size of primary winding	φ0.5	φ1.0	φ1.3
Rated voltage	±8.5V		
Rated output [Vh]	±32mV±2%		
Residual output [Vo]	Within ±3mV		
Output linearity	Within ±1%		
Output Temp. Coef.	Within ±0.2%/°C		
Operating Temp.	-10°C~+75°C		
Storage Temp.	-15°C~+85°C		
Dielectric withstand voltage	2500V AC 50/60Hz 1minute		
Insulation resistance	Not less than 500MΩ 500V DC		

Note1) For continuously flowing DC currents, see the principal characteristics marked by an asterisk (※) on page 1-5.