



Filters

Low Spurious for TV/VCR Stage LTS MCB/MDB Ceramic Filters / 陶瓷滤波器

LTS MCB/MDB Low Spurious Filter use thickness shear vibration mode. Features with excellent spurious characteristics within Video Signal Band, and 3 types bandwidths prepared to respond customer requests.

LTS MCB/MDB is suitable for Multiplex Sound TV in America.

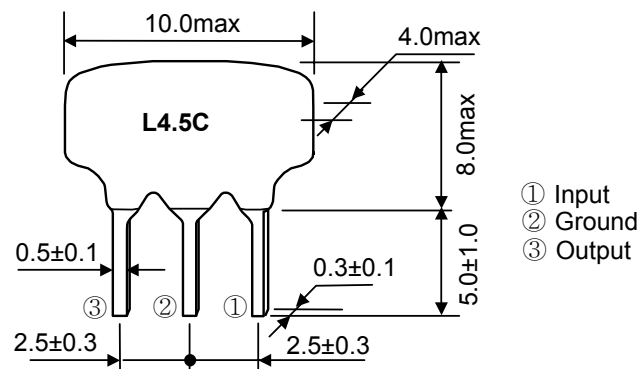
► LTS MCB/MDB Series for TV/VCR Stage with Low Spurious (Murata SF5H MCB/MDB Compatible)

4.5 MHz ~ 6.5 MHz

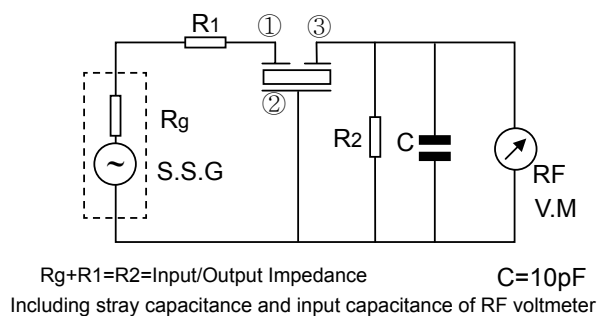
Ceramic LTS MCB/MDB Filter Technical Characteristics

Part Number	Nominal Center Frequency (fo) (MHz)	3dB Band Width (kHz) min	20dB Band Width (kHz) max	Insert Loss (dB) max	Spurious Attenuation (0~fo) (dB) min	Input/Output Impedance (Ω)
LTS4.5MCB	4.500	fo±60	600	6.0	30	1000
LTS4.5MDB	4.500	fo±70	750	6.0	30	1000
LTS5.5MCB	5.500	fo±60	600	6.0	30	600
LTS5.5MDB	5.500	fo±80	750	6.0	30	600
LTS6.0MCB	6.000	fo±60	600	6.0	30	470
LTS6.0MDB	6.000	fo±80	750	6.0	30	470
LTS6.5MCB	6.500	fo±70	650	6.0	30	470
LTS6.5MDB	6.500	fo±80	800	6.0	30	470

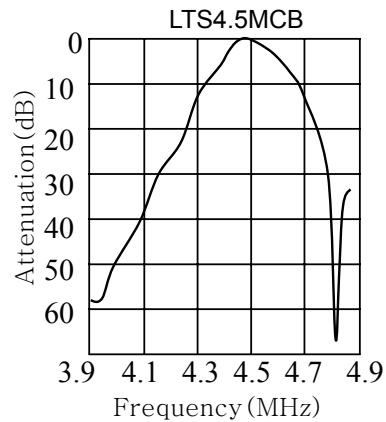
► Ceramic LTS MCB/MDB Filters Dimensions



► LTS MCB/MDB Filters Characteristics



LTS MCB/MDB Filters Characteristics



► How to Order

LTS4.5MCB - P

① ②

① Part Number ② Packaging