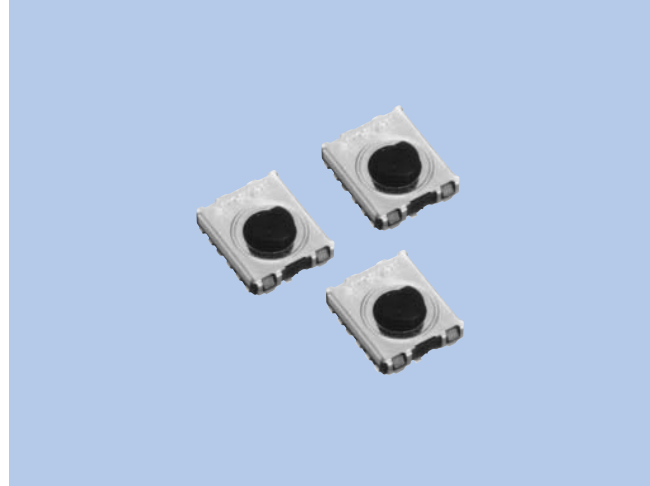


# Rotary Switches SRM Series

## FEATURES

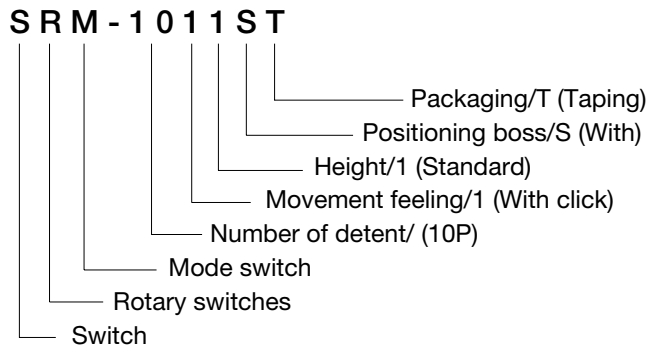
1. Minimized mounting area (7 x 6mm square).
2. Suitable for SMT reflow soldering.
3. 10 dent is available as standard.
4. 2.5mm in height.



## APPLICATIONS

1. For DSCs, DVCs and other AV equipment.

## MODEL NAME CODE



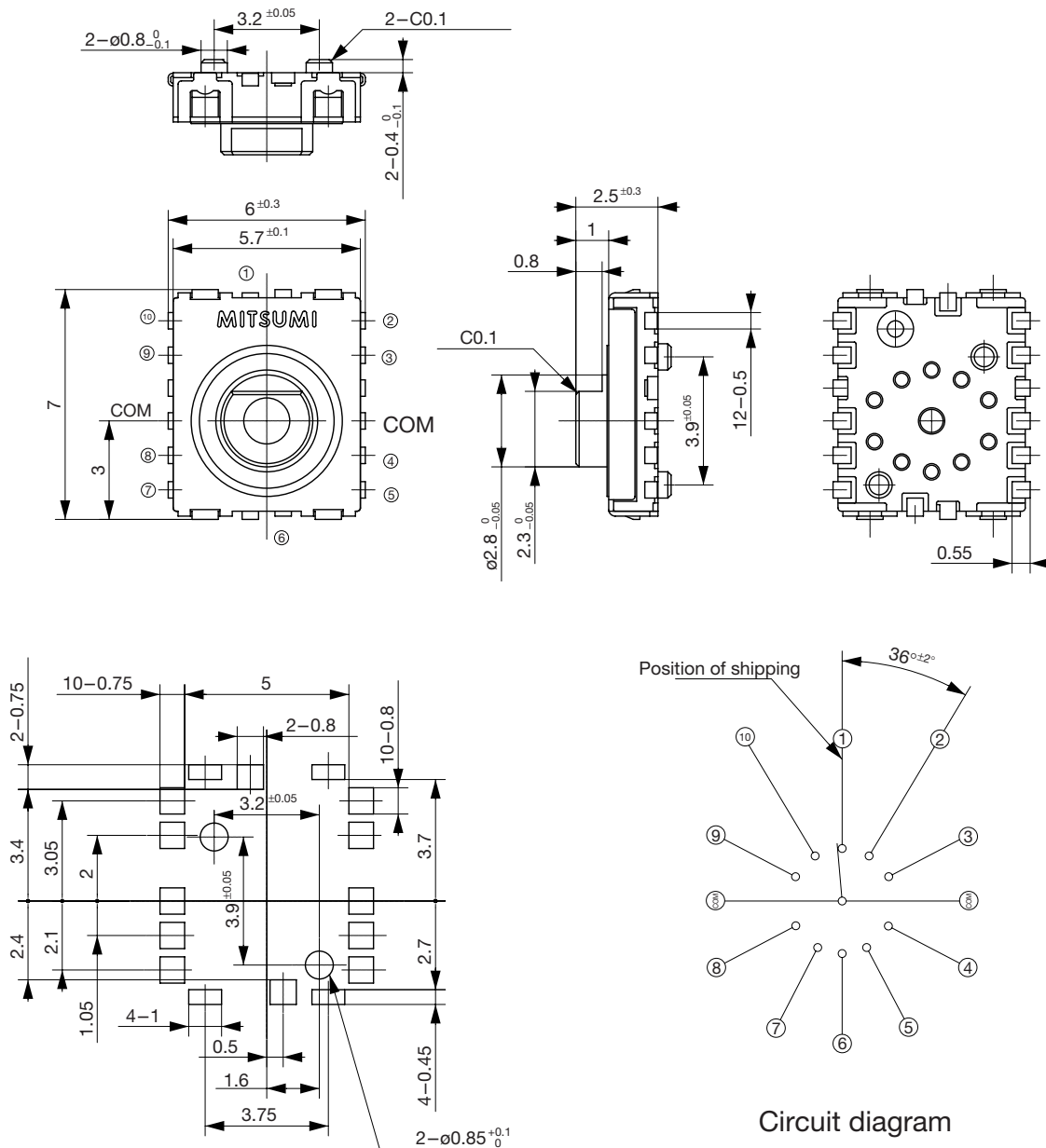
## TYPE

Model Name Code	Order Number	No. of Detent	Rotational Torque	Pcs
SRM-1011ST	R66 6312	10	15mN · m or less	3000

## SPECIFICATIONS

Electrical Characteristics	Rating	10mA, 5V DC
	Contact Resistance	1Ω or less
	Insulation Resistance	100MΩ or more
	Withstand Voltage	1 minute at 100V AC
Mechanical Characteristics	Rotational Torque	15mN · m or less

## DIMENSIONS



Printed wiring board land dimensions  
(When viewed from switch mounting side)

Unit : mm  
Tolerance :  $\pm 0.3\text{mm}$