

MULTILAYER CHIP COMMON MODE CHOKE COIL

ACCC-1206



RoHS
Compliant



3.2 x 1.6 x 1.15mm

FEATURES:

- Multilayer monolithic construction yields high reliability
- Has sharp impedance at high frequency
- Low profile

APPLICATIONS:

- Personal computer motherboards, Notebooks
- Printer, Scanners
- LCD monitors
- PC peripheral equipment

STANDARD SPECIFICATIONS:

PARAMETERS

ABRACON P/N:	ACCC-1206-xxx Series
Operating temperature:	-55°C to + 125°C
Storage temperature:	-55°C to + 125°C

Part Number	Common mode Impedance (Ω)	I _r (mA) /max	R _{dc} (Ω) /max	Rated Voltage (V) /max	Withstand Voltage (V)	Insulation Resistance (M Ω)/min
ACCC-1206-90	90	100	1	16	40	20
ACCC-1206-121	120	100	2	16	40	20
ACCC-1206-221	220	100	2.5	16	40	20
ACCC-1206-551	550	100	3	16	40	20
ACCC-1206-102	1000	100	4.5	16	40	20

OPTIONS AND PART IDENTIFICATION:

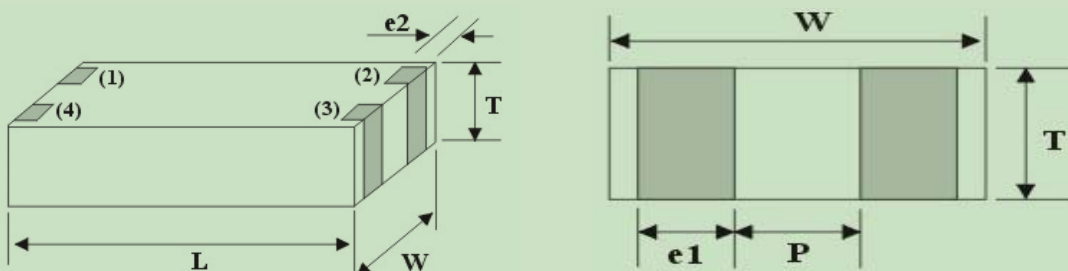
(Left blank if standard)

ACCC-1206-□□□□-□

Impedance
Please refer to the tables

Packaging	
T	Tape and Reel

OUTLINE DRAWING:



Type	L	W	T	P	e1	e2
ACCC-1206-xxx	0.126±0.008	0.063±0.008	0.045±0.008	0.024±0.004	0.016±0.002	0.012±0.008
	(3.20±0.20)	(1.60±0.20)	(1.15±0.20)	(0.60±0.10)	(0.40±0.05)	(0.30±0.20)

Dimensions: Inches
(mm)

ABRACON IS
ISO 9001 / QS 9000
CERTIFIED



ABRACON
CORPORATION

Visit www.abracon.com for Terms & Conditions of Sale **Revised: 08.24.07**
30332 Esperanza, Rancho Santa Margarita, California 92688
tel 949-546-8000 | fax 949-546-8001 | www.abracon.com

MULTILAYER CHIP COMMON MODE CHOKE COIL

ACCC-1206



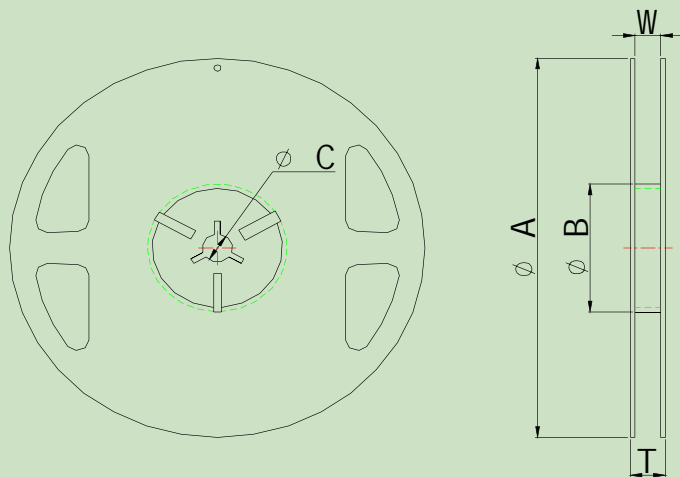
RoHS
Compliant



3.2 x 1.6 x 1.15mm

TAPE & REEL: Tape and reel 4,000pcs/reel

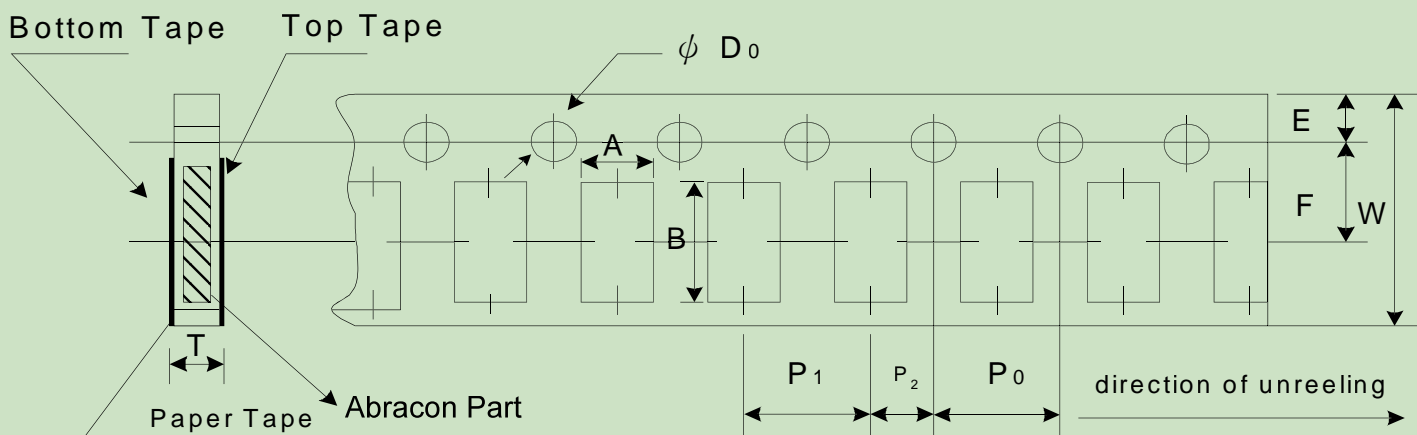
Dimensions of Reel



ABRACON P/N	ΦA	ΦB	ΦC	W	T	Paper Tape (EA)
ACCC-1206	178±1	60.0±0.5	13.0±0.20	9.00±0.5	12.0±0.15	4,000

Dimension: mm

Dimensions of Tape

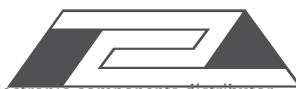


Codes	A	B	W	E	F
ACCC-1206	2.0±0.2	3.6±0.2	8.0±0.3	1.75±0.1	3.5±0.05

Codes	P ₀	P ₁	P ₂	ΦD ₀	T
ACCC-1206	4.00±0.10	4.0±0.1	2.00±0.05	1.55±0.05	1.1±0.05

Dimension: mm

ABRACON IS
ISO 9001 / QS 9000
CERTIFIED



ABRACON
CORPORATION

Visit www.abracon.com for Terms & Conditions of Sale **Revised: 08.24.07**
30332 Esperanza, Rancho Santa Margarita, California 92688
tel 949-546-8000 | fax 949-546-8001 | www.abracon.com