

# MULTILAYER CHIP COMMON MODE CHOKE COIL

ACCC-0805



RoHS  
Compliant



2.0 x 1.25 x 0.85mm

## FEATURES:

- Multilayer monolithic construction yields high reliability
- Has sharp impedance at high frequency
- Low profile

## APPLICATIONS:

- Personal computer motherboards, Notebooks
- Printer, Scanners
- LCD monitors
- PC peripheral equipment

## STANDARD SPECIFICATIONS:

### PARAMETERS

ABRACON P/N:	ACCC-0805-xxx Series
Operating temperature:	-55°C to + 125°C
Storage temperature:	-55°C to + 125°C

Part Number	Common mode Impedance ( $\Omega$ )	Ir (mA) /max	Rdc( $\Omega$ ) /max	Rated Voltage (V) /max	Withstanding Voltage (V)	Insulation Resistance (M $\Omega$ )/min
ACCC-0805-900	90	100	1	16	40	20
ACCC-0805-121	120	100	2	16	40	20
ACCC-0805-221	220	100	2.5	16	40	20
ACCC-0805-551	550	100	3	16	40	20
ACCC-0805-102	1000	100	4.5	16	40	20

## OPTIONS AND PART IDENTIFICATION:

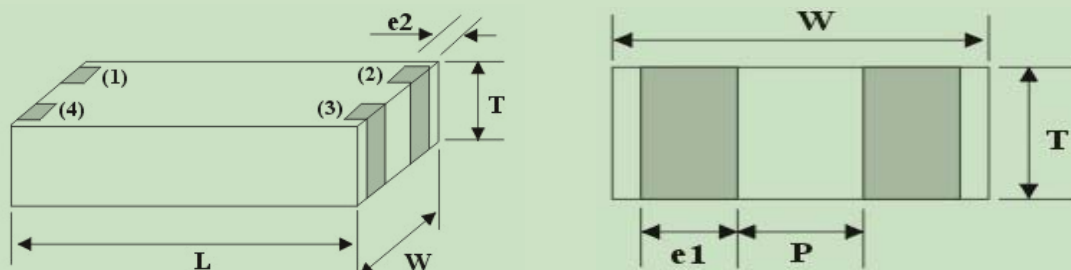
(Left blank if standard)

ACCC-0805-□□□-□

Impedance
Please refer to the tables

Packaging	
T	Tape and Reel

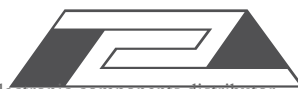
## OUTLINE DRAWING:



Type	L	W	T	P	e1	e2
ACCC-0805-xxx	0.079±0.008	0.049±0.008	0.033±0.008	0.016±0.004	0.012±0.002	0.008±0.004
	(2.00±0.20)	(1.25±0.20)	(0.85±0.20)	(0.40±0.10)	(0.30±0.05)	(0.20±0.10)

Dimensions: Inches  
(mm)

ABRACON IS  
ISO 9001 / QS 9000  
CERTIFIED



**ABRACON**  
CORPORATION

Visit [www.abracon.com](http://www.abracon.com) for Terms & Conditions of Sale **Revised: 08.24.07**  
30332 Esperanza, Rancho Santa Margarita, California 92688  
tel 949-546-8000 | fax 949-546-8001 | [www.abracon.com](http://www.abracon.com)

# MULTILAYER CHIP COMMON MODE CHOKE COIL

ACCC-0805



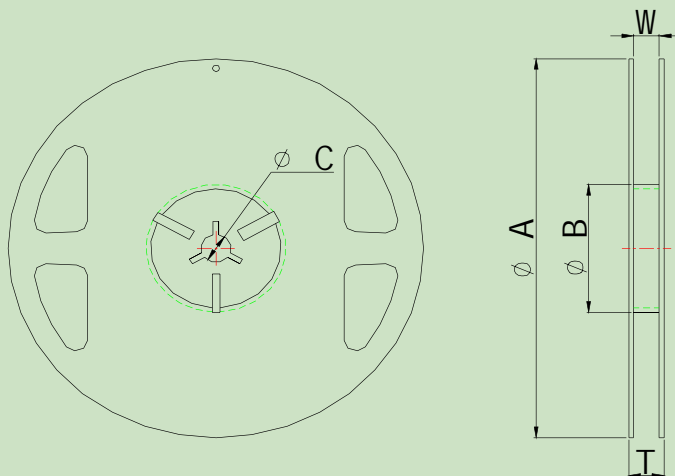
RoHS  
Compliant



2.0 x 1.25 x 0.85mm

TAPE & REEL: Tape and reel 4,000pcs/reel

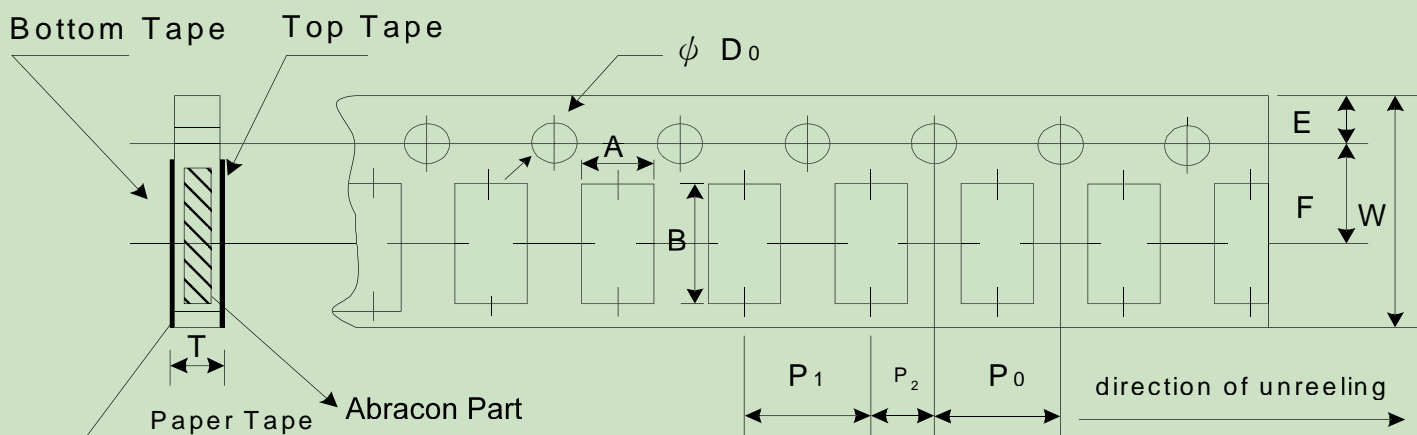
## Dimensions of Reel



ABRACON P/N	ΦA	ΦB	ΦC	W	T	Paper Tape (EA)
ACCC-0805	178±1	60.0±0.5	13.0±0.20	9.00±0.5	12.0±0.15	4,000

Dimension: mm

## Dimensions of Tape

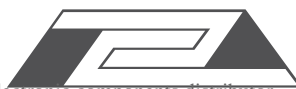


Codes	A	B	W	E	F
ACCC-0805	1.5±0.15	2.5±0.2	8.0±0.3	1.75±0.1	3.5±0.05

Codes	P <sub>0</sub>	P <sub>1</sub>	P <sub>2</sub>	ΦD <sub>0</sub>	T
ACCC-0805	4.00±0.10	4.00±0.10	2.00±0.05	1.55±0.05	1.1±0.05

Dimension: mm

ABRACON IS  
ISO 9001 / QS 9000  
CERTIFIED



**ABRACON**  
CORPORATION

Visit [www.abracon.com](http://www.abracon.com) for Terms & Conditions of Sale **Revised: 08.24.07**  
30332 Esperanza, Rancho Santa Margarita, California 92688  
tel 949-546-8000 | fax 949-546-8001 | [www.abracon.com](http://www.abracon.com)