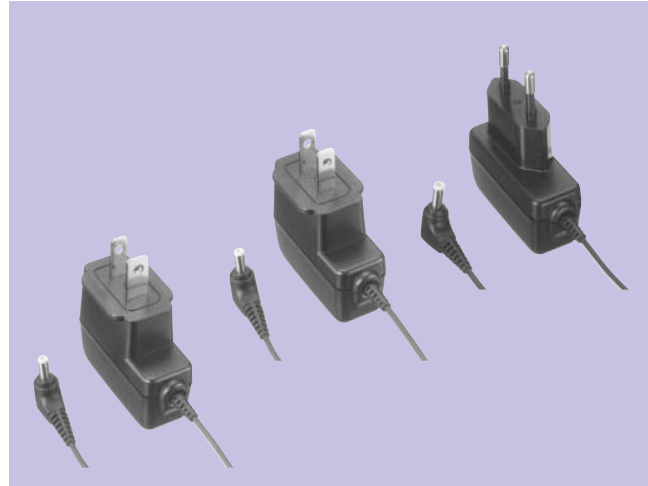


3W AC Adaptors with Worldwide Input ADP-W5 Series

Adaptors, Chargers/Switching Power Supplies

OUTLINE

Small AC adaptor meeting the EU specification and smaller than our existing fixed plug type AC adaptor (W4 type) by about 10%.



FEATURES

1. Standard Mitsumi case.
2. A series of small, standard cases is available for each country.
3. Input voltage supports worldwide input.
4. Output specifications can be customized.

USES

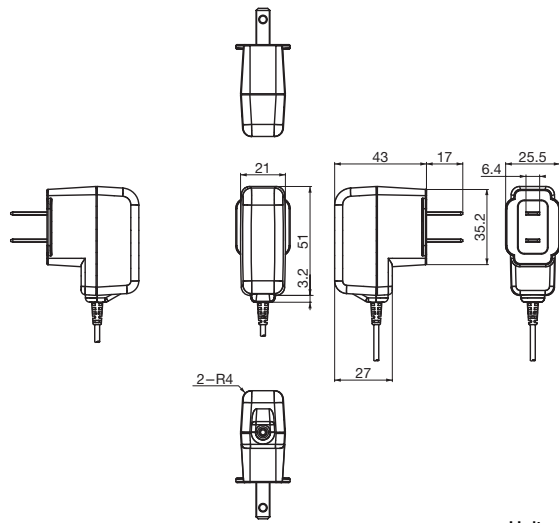
1. Mobile phones.
2. Small electric equipments.
3. Healthcare equipments.

SPECIFICATIONS

Item	Specifications
Input voltage	AC 100~240V
Output capacity	3W
Destinations	Japan, North America, Europe, China
Safety standards	Can be approved by Medical Standard (IEC60601)
External dimensions	21 (W)×51 (D)×43 ~ 45.5 (H) mm

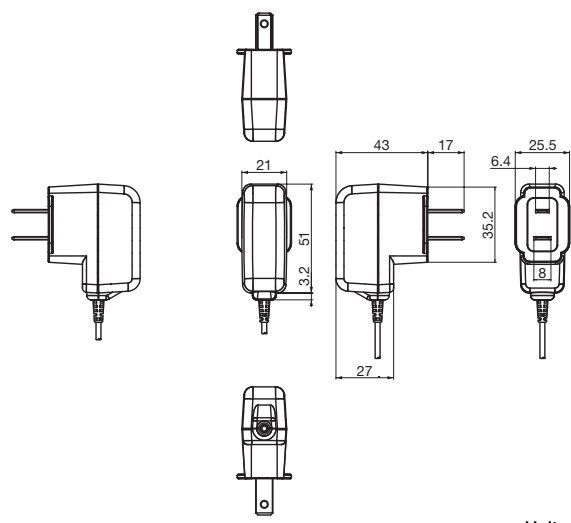
DIMENSIONS

Japan and North America



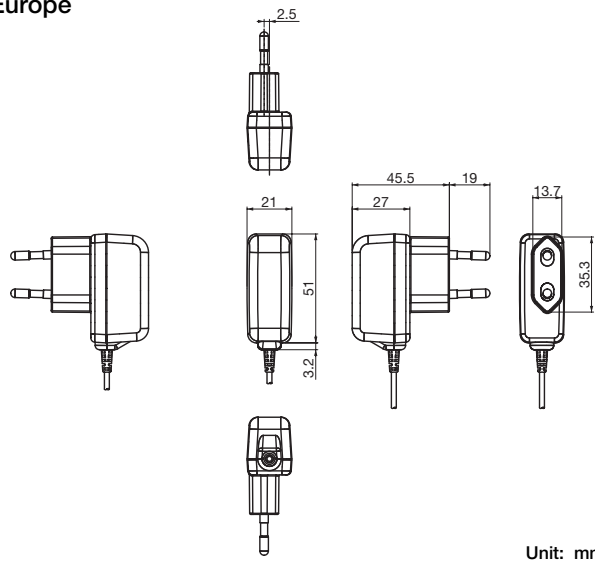
Unit: mm

North America



Unit: mm

Europe



Unit: mm