

4W Small AC Adaptors (Japan) ADP-S5 Series

Adaptors, Chargers/Switching Power Supplies

OUTLINE

15mm ultra-thin AC adaptor. AC plug rotating storage provides excellent portability, and energy-saving design with low standby power is available.



FEATURES

1. Standard Mitsumi case.
2. Thinness gives excellent portability.
3. AC plug rotating (175°) storage leaves adjacent socket unblocked.
4. Energy-saving design with low standby power available.
5. Output specifications can be customized.

USES

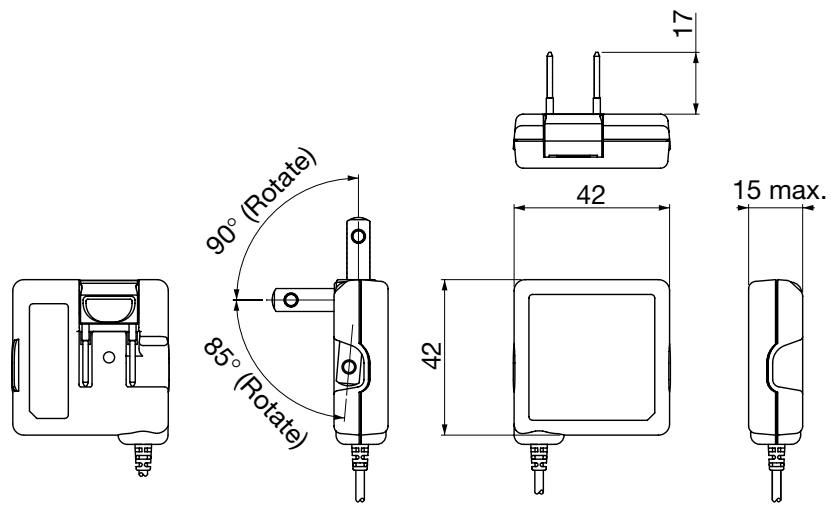
1. Mobile phones.
2. Small electric equipments.

SPECIFICATIONS

Item	Specifications
Input voltage	AC 100V
Output capacity	4W
Standby power	Less than 0.1W
Safety standards	Electrical Appliance and Material Safety Law (Japan)
External dimensions	42 (W) × 42 (D) × 15 (H)mm

DIMENSIONS

ADP-S5



Unit: mm