

# 4W Small AC Adaptors (Japan) ADP-S4 Series

Adaptors, Chargers/Switching Power Supplies

## OUTLINE

14.7mm ultra-thin AC adaptor. The patented AC plug storage system provides excellent portability, and energy-saving design with low standby power is available.



## FEATURES

1. Standard Mitsumi case.
2. Ultra-thinness means excellent portability.
3. Energy-saving design with low standby power available.
4. Output specifications can be customized.

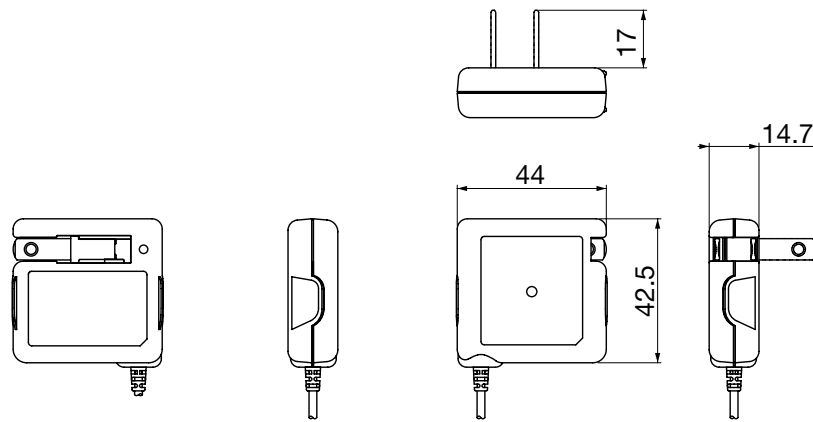
## USES

1. Mobile phones.
2. Small electric equipments.

## SPECIFICATIONS

Item	Specifications
Input voltage	AC 100V
Output capacity	4W
Standby power	Less than 0.1W
Safety standards	Electrical Appliance and Material Safety Law (Japan)
External dimensions	44 (W) × 42.5 (D) × 14.7 (H) mm

DIMENSIONS



Unit: mm