

# 4W AC Adaptors (Japan) ADP-S3 Series

Adaptors, Chargers/Switching Power Supplies

## OUTLINE

16.5mm thin AD adaptor. The AC plug can be stored inside the charger, providing excellent portability, and energy-saving design with low standby power is available.



## FEATURES

1. Standard Mitsumi case.
2. Thinness gives excellent portability.
3. Energy-saving design with low standby power available.
4. Output specifications can be customized.

## USES

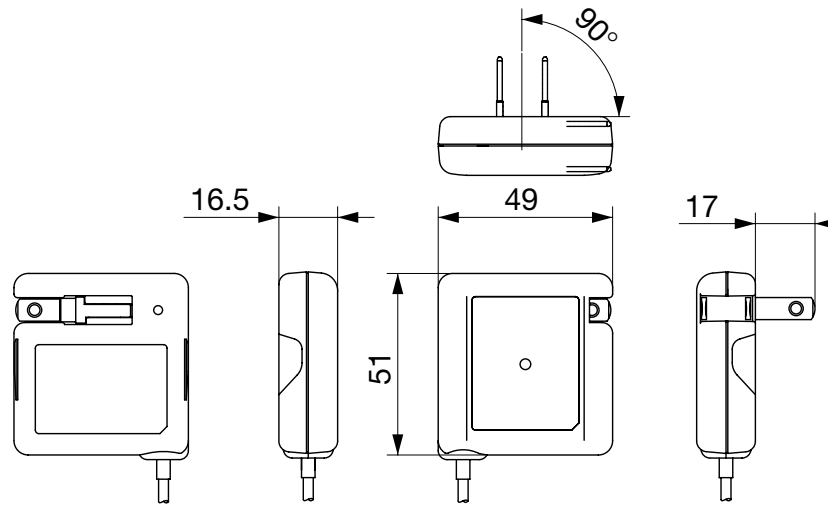
1. Mobile phones.
2. Small electric equipments.

## SPECIFICATIONS

Item	Specifications
Input voltage	AC 100V
Output capacity	4W
Standby power	Less than 0.1W
Safety standards	Electrical Appliance and Material Safety Law (Japan)
External dimensions	49 (W) × 51 (D) × 16.5 (H) mm

## DIMENSIONS

ADP-S3



Unit: mm