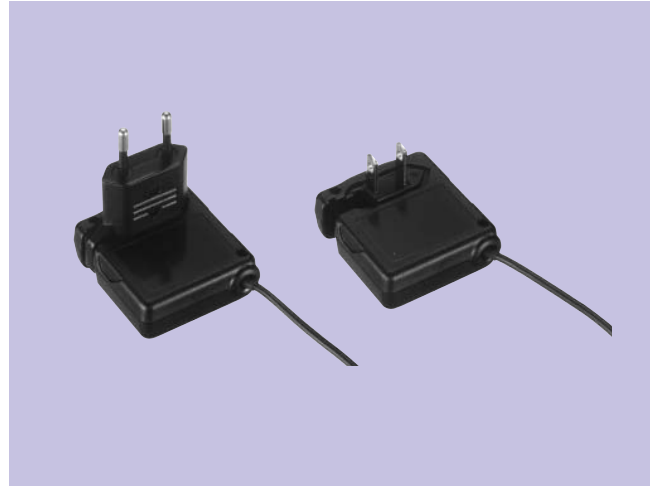


4W AC Adaptors with Worldwide Input (Japan, North America) ADP-S4W Series

Adaptors, Chargers/Switching Power Supplies

OUTLINE

This AC adaptor can be used in most areas of the world, with its combination of storable AC plug and AC plug attachment.



FEATURES

1. Case and attachments are standard Mitsumi products.
2. Input voltage supports worldwide input.
3. Output specifications can be customized.

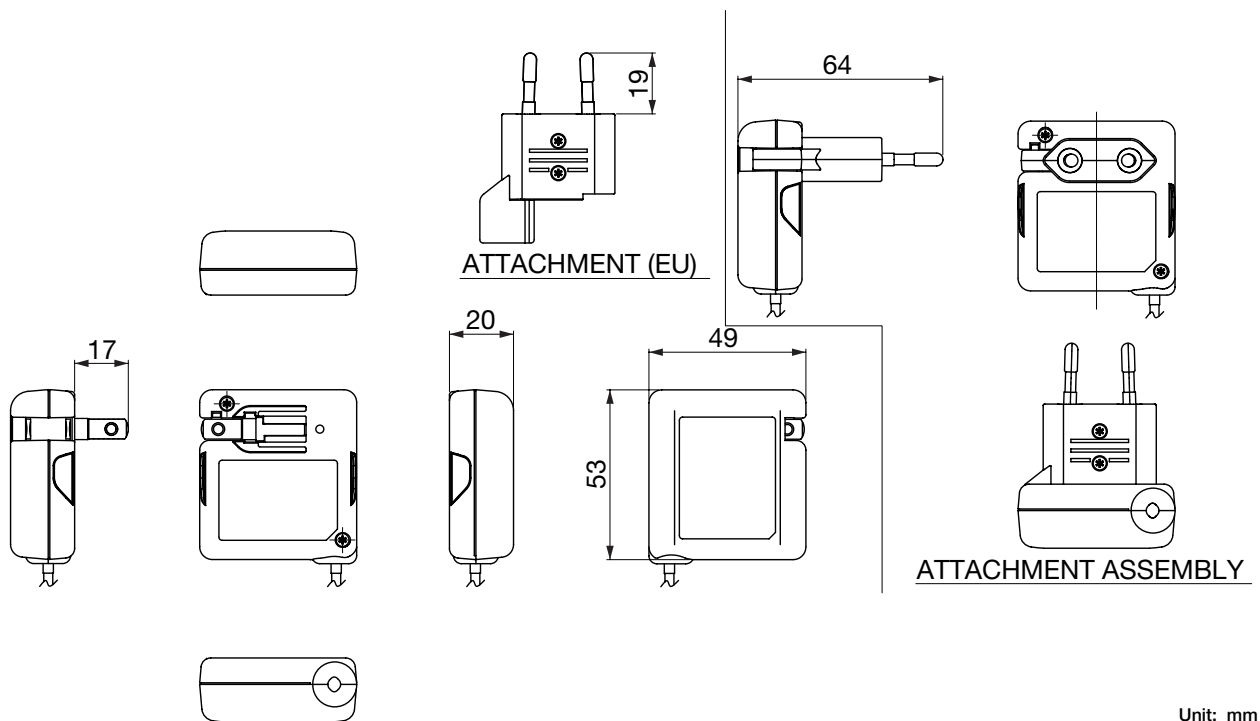
USES

1. Small electronic equipments.
2. Mobile phones.

SPECIFICATIONS

Item	Specifications
Input voltage	AC 100~240V
Output capacity	4W
Destinations	North America, Europe, Thailand, Taiwan
Safety standards	Electrical Appliance and Material Safety Law (Japan), Conforms to IEC60950
External dimensions	49 (W) × 53 (D) × 20 (H) mm (except for plug)

DIMENSIONS



Unit: mm