

5W AC Adaptors with Worldwide Input (Japan, North America) ADP-DS Series

Adaptors, Chargers/Switching Power Supplies

OUTLINE

AC adaptor with storable AC plug and 5W output capacity.

AC plug storage gives excellent portability.



FEATURES

1. Standard Mitsumi case.
2. Storable AC plug gives excellent portability.
3. Input voltage supports worldwide input.
4. Output specifications can be customized.

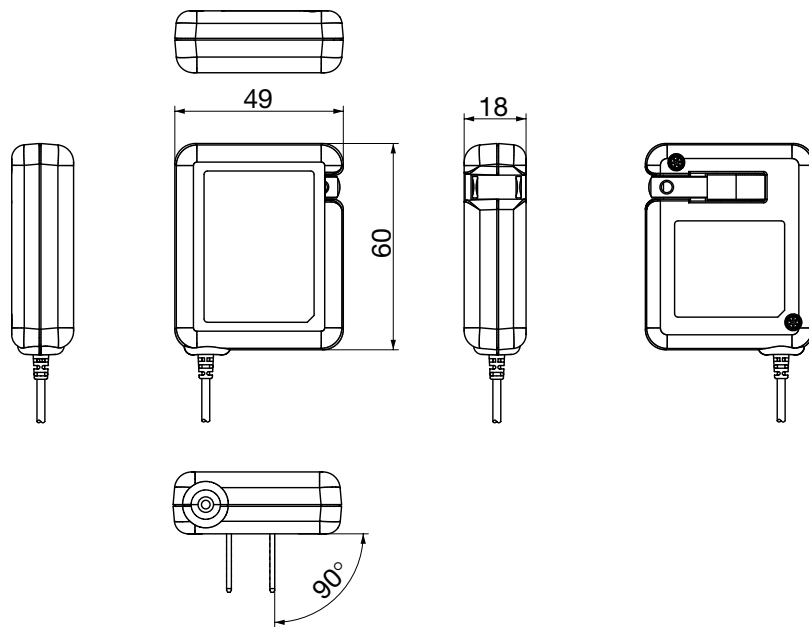
USES

1. Mobile phones.
2. Small electric equipments.

SPECIFICATIONS

Item	Specifications
Input voltage	AC 100~240V
Output capacity	5W
Safety standards	Electrical Appliance and Material Safety Law (Japan), Conforms to UL60950
External dimensions	49 (W) × 60 (D) × 18 (H) mm

DIMENSIONS



Unit: mm