

## High Voltage, Isolated MOSFET Driver

### Features

- ▶  $\pm 400\text{V}$  input to output isolation
- ▶ Low input logic current,  $500\mu\text{A}$  max
- ▶ No external voltage supply required
- ▶ Floating isolated output drivers
- ▶ 5.0V logic compatible

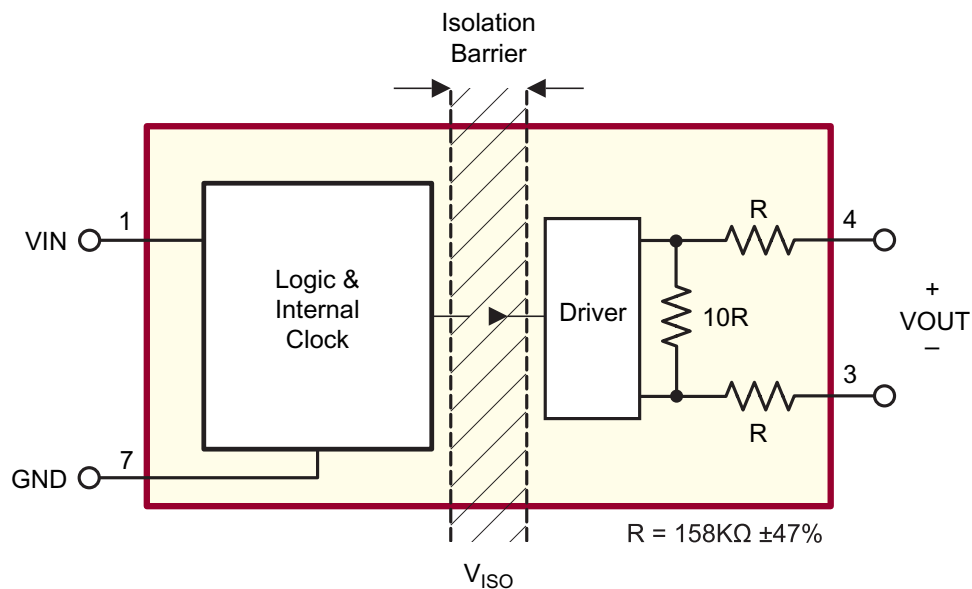
### Applications

- ▶ Telecommunications
- ▶ Modems
- ▶ Solid state relays
- ▶ High side switches
- ▶ High end audio switches
- ▶ Avionics
- ▶ ATE

### General Description

The Supertex HT0740 is a single channel, high voltage, low input current, isolated driver utilizing Supertex's proprietary HVCMOS<sup>®</sup> technology. It is designed to drive discrete MOSFETs, configured as high side switches, up to 400V. The HT0740 generates an independent DC isolated voltage across the pair of outputs when the logic input is at a logic high. The HT0740 does not require any external power supplies. The internal supply voltage is supplied from the logic input when it is in the high state.

### Block Diagram



## Ordering Information

Device	Package Options	
	8-Lead SOIC (Narrow Body)	
HT0740	HT0740LG	HT0740LG-G

-G indicates package is RoHS compliant ('Green')



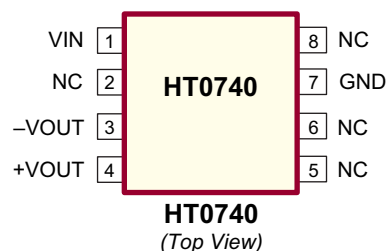
## Absolute Maximum Ratings

Parameter	Value
Input to output isolation voltage, $V_{ISO}$	$\pm 400V$
Logic input voltage, $V_{IN}$	-0.5 to +7.0V
Operating temperature	-40°C to +85°C
Storage temperature	-55°C to +150°C
Soldering temperature <sup>1</sup>	300°C

Absolute Maximum Ratings are those values beyond which damage to the device may occur. Functional operation under these conditions is not implied. Continuous operation of the device at the absolute rating level may affect device reliability. All voltages are referenced to device ground.

**Note 1.** Distance of 1.6mm from case for 10 seconds.

## Pin Configuration

DC Electrical Characteristics ( $T_J = -40^\circ\text{C}$  to  $+85^\circ\text{C}$  unless otherwise specified)

Symbol	Parameter	Min	Typ	Max	Units	Conditions
$I_H$	Logic high input current	-	-	500	$\mu\text{A}$	$V_{IN} = 5.0V$
$I_L$	Logic low input current (quiescent)	-	-	10	$\mu\text{A}$	$V_{IN} = 0.5V$
$V_{OUT}$	Output voltage across output terminals	4.5	-	-	V	$V_{IN} = 3.15V$ , no load
		8.5	-	-	V	$V_{IN} = 4.5V$ , no load
$V_{IN}$	Input voltage for zero output	-	-	0.8	V	No load
$V_{ISO}$	Input to output isolation voltage	$\pm 400$	-	-	V	---

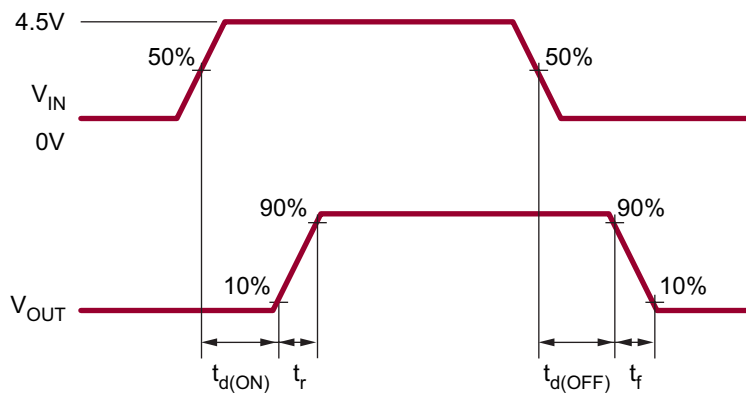
## AC Electrical Characteristics

Symbol	Parameter	Min	Typ	Max	Units	Conditions
$t_{d(ON)}$	Turn-on delay time	-	-	50	$\mu\text{s}$	See timing diagram and test circuit $C_L = 600\text{pF}$ , $T_A = 25^\circ\text{C}$
$t_r$	Rise time	-	-	650	$\mu\text{s}$	
$t_{d(OFF)}$	Turn-off delay time	-	-	150	$\mu\text{s}$	
$t_f$	Fall time	-	-	3.0	ms	

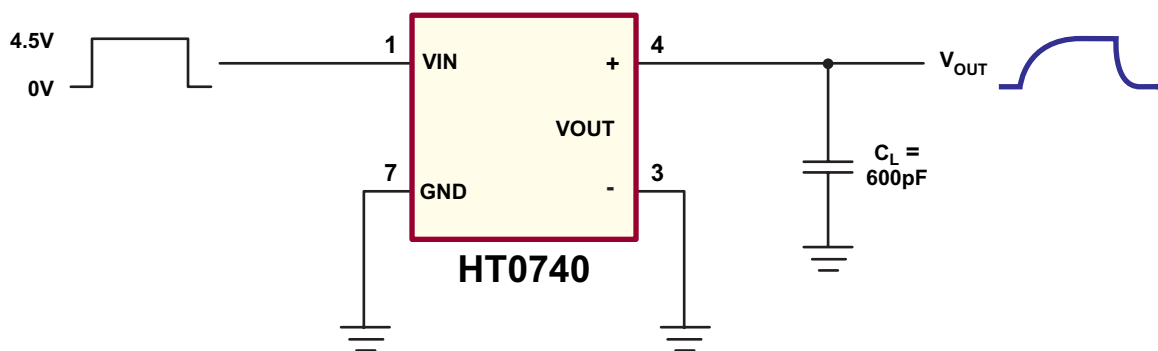
## Recommended Operating Conditions

Symbol	Parameter	Min	Typ	Max	Units	Conditions
$V_{IH}$	Logic input high voltage	3.15	-	5.5	V	---
$V_{IL}$	Logic input low voltage	0	-	0.5	V	---
$T_A$	Operating temperature	-40	-	+85	$^\circ\text{C}$	---

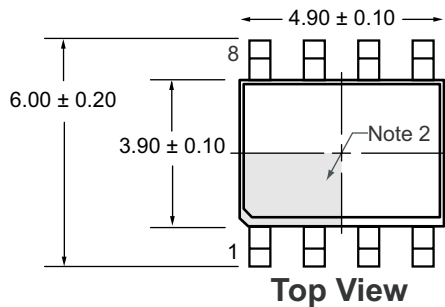
Timing Diagram



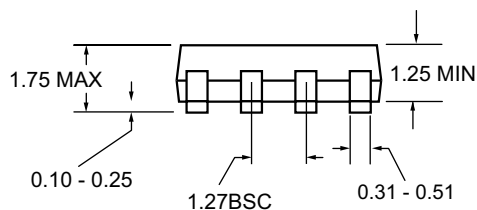
Test Circuit



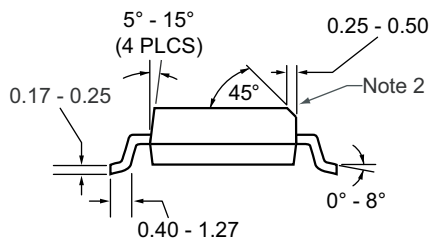
## 8-Lead SOIC (Narrow Body) LG Package Outline



Top View



Side View



End View

Notes:

1. All dimensions in millimeters. Angles in degrees.
2. If the corner is not chamfered, then a Pin 1 identifier must be located within the area indicated.

(The package drawing(s) in this data sheet may not reflect the most current specifications. For the latest package outline information go to <http://www.supertex.com/packaging.html>.)

**Supertex inc.** does not recommend the use of its products in life support applications, and will not knowingly sell its products for use in such applications, unless it receives an adequate "product liability indemnification insurance agreement". **Supertex** does not assume responsibility for use of devices described and limits its liability to the replacement of the devices determined defective due to workmanship. No responsibility is assumed for possible omissions or inaccuracies. Circuitry and specifications are subject to change without notice. For the latest product specifications, refer to the **Supertex** website: <http://www.supertex.com>.

©2007 **Supertex inc.** All rights reserved. Unauthorized use or reproduction is prohibited.

**Supertex inc.**

1235 Bordeaux Drive, Sunnyvale, CA 94089  
TEL: (408) 222-8888 / FAX: (408) 222-4895

[www.supertex.com](http://www.supertex.com)