

34-Channel Symmetric Row Driver

Ordering Information

Device	Package Options			
	44 J-Lead Quad Ceramic Chip Carrier	44 J-Lead Quad Plastic Chip Carrier	Die in waffle pack	44 J-Lead Quad Ceramic Chip Carrier (MIL-Std-883 Processed*)
HV7022-C	HV7022DJ-C	HV7022PJ-C	HV7022X-C	RBHV7022DJ-C

*For Hi-Rel process flows, refer to page 5-3 of the databook.

Features

- Processed with HVCMOS® technology
- Symmetric row drive (reduces latent imaging in ACTFEL displays)
- Output voltages up to 230V
- Low-power level shifting
- Source/Sink current 70mA (min.)
- Shift register speed 4MHz
- Pin-programmable shift direction
- 44-lead plastic & ceramic surface-mount packages
- Hi-Rel processing available

General Description

The HV7022-C is a low-voltage serial to high-voltage parallel converter with push-pull outputs. It is especially suited for use as a symmetric row driver in AC thin-film electroluminescent (ACTFEL) displays. The HV70 offers 34 output lines, a direction (DIR) pin to give CW or CCW shift register loading, output enable (OE), and polarity (POL) control. After DATA INPUT is entered (on the falling edge of CLOCK), a logic high will cause the output to swing to V_{PP} if POL is high, or to GND if POL is low.

Absolute Maximum Ratings

Supply voltage, V_{DD}^1	-0.3V to +15V	
Supply voltage, V_{PP}^1	-0.3V to +250V	
Logic input levels ¹	-0.3V to $V_{DD} + 0.3V$	
Ground current ²	1.5A	
Continuous total power dissipation ³ :	Plastic	1200mW
	Ceramic	1500mW
Operating temperature range	Plastic	-40°C to +85°C
	Ceramic	-55°C to 125°C
Storage temperature range	-65°C to +150°C	
Lead temperature 1.6mm (1/16 inch) from case for 10 seconds	260°C	

Notes:

1. All voltages are referenced to GND.
2. Duty cycle is limited by the total power dissipated in the package.
3. For operation above 25°C ambient derate linearly to maximum operating temperature at 25mW/°C for plastic and at 15mW/°C for ceramic.

For Detailed circuit and application information, please refer to Application Note AN-H3.

02/96/022

Supertex Inc. does not recommend the use of its products in life support applications and will not knowingly sell its products for use in such applications unless it receives an adequate "products liability indemnification insurance agreement." Supertex does not assume responsibility for use of devices described and limits its liability to the replacement of devices determined to be defective due to workmanship. No responsibility is assumed for possible omissions or inaccuracies. Circuitry and specifications are subject to change without notice. For the latest product specifications, refer to the Supertex website: <http://www.supertex.com>. For complete liability information on all Supertex products, refer to the most current databook or to the Legal/Disclaimer page on the Supertex website.

Electrical Characteristics

(over recommended operating conditions of $V_{DD} = 12V$, $T_A = 25^\circ C$ and $V_{PP} = 230V$ unless otherwise noted)

DC Characteristics

Symbol	Parameter	Min	Max	Units	Conditions
I_{DD}	V_{DD} supply current		10	mA	$f_{CLK} = 4MHz$
I_{PP}	High voltage supply current		4	mA	1 Output high ¹
			100	μA	All Outputs low or High-Z
			750	μA	All Outputs low or High-Z (125°C)
I_{DDQ}	Quiescent V_{DD} supply current		100	μA	All $V_{IN} = GND$ or V_{DD}
V_{OH}	High-level output				HV_{OUT}
			195	V	$I_O = -70mA (-50mA)^2$
V_{OL}	Low-level output				Data out
			11	V	$I_O = -500\mu A$
V_{OL}	Low-level output				HV_{OUT}
			30	V	$I_O = 70mA (+50mA)^2$
V_{OL}	Low-level output				Data out
			1	V	$I_O = 500\mu A$
I_{IH}	High-level logic input current		1	μA	$V_{IH} = 12V$
I_{IL}	Low-level logic input current		-1	μA	$V_{IL} = 0V$

Notes:

1. The total number of ON outputs times the duty cycle must not exceed the allowable package power dissipation.
2. Over military temperature range (-55°C to 125°C).

AC Characteristics ($V_{DD} = 12V$, $T_C = 25^\circ C$)

Symbol	Parameter	Min	Max	Units	Conditions
f_{CLK}	Clock frequency		4	MHz	
t_W	Pulse duration clock high or low	125		ns	
t_{SUD}	Data set-up time before falling clock	100		ns	
t_{HD}	Data hold time after falling clock	100		ns	
t_{SUC}	Setup time clock low before $V_{PP}\uparrow$ or $GND\downarrow$	300		ns	
t_{SUE}	Setup time enable high before $V_{PP}\uparrow$ or $GND\downarrow$	300		ns	
t_{SUP}	Setup time polarity high or low before $V_{PP}\uparrow$ or $GND\downarrow$	300		ns	
t_{HC}	Hold time clock high after $V_{PP}\uparrow$ or $GND\downarrow$	500		ns	
t_{HE}	Hold time enable high after $V_{PP}\uparrow$ or $GND\downarrow$	300		ns	
t_{HP}	Hold time polarity high or low after $V_{PP}\uparrow$ or $GND\downarrow$	300		ns	
t_{DHL}	Delay time high to low level output from clock		150	ns	$C_L = 10pF$
t_{DLH}	Delay time low to high level output from clock		200	ns	$C_L = 10pF$
t_{THL}	Transition time high to low level serial output		200	ns	$C_L = 15pF$
t_{TLH}	Transition time low to high level serial output		100	ns	$C_L = 15pF$
t_{ONH}	High level turn-on time Q outputs from enable		500	ns	$I_O = -50 mA, V_{OH} = 195V$ $R_L = 2 k\Omega$ to 95V
t_{ONL}	Low level turn-on time Q outputs from enable		500	ns	$I_O = 50 mA, V_{OH} = 130V$ $R_L = 2 k\Omega$ to 30V
t_{OFFH}	High level turn-off time Q outputs from enable		1000	ns	$I_O = -50 mA, V_{OH} = 195V$ $R_L = 2 k\Omega$ to 95V
t_{OFFL}	Low level turn-off time Q outputs from enable		500	ns	$I_O = 50 mA, V_{OH} = 130V$ $R_L = 2 k\Omega$ to 30V
	Slew rate, V_{PP} or GND		45	V/ μs	With one active output driving a 4.7 nF load to V_{PP} or GND

Recommended Operating Conditions

Symbol	Parameter	Min	Max	Units	
V_{DD}	Logic supply voltage	10.8	13.2	V	
V_{PP}	High voltage supply		230	V	
V_{IH}	High-level input voltage	$V_{DD} = 10.8V$	8.1	V	
		$V_{DD} = 13.2V$	9.9		
V_{IL}	Low-level input voltage	$V_{DD} = 10.8V$	2.7	V	
		$V_{DD} = 13.2V$	3.3		
f_{CLK}	Clock frequency		4	MHz	
T_A	Operating free-air temperature	Plastic	-40	+85	°C
		Ceramic	-55	+125	°C
I_{OD}	Allowable pulse current through output diodes		±300	mA	

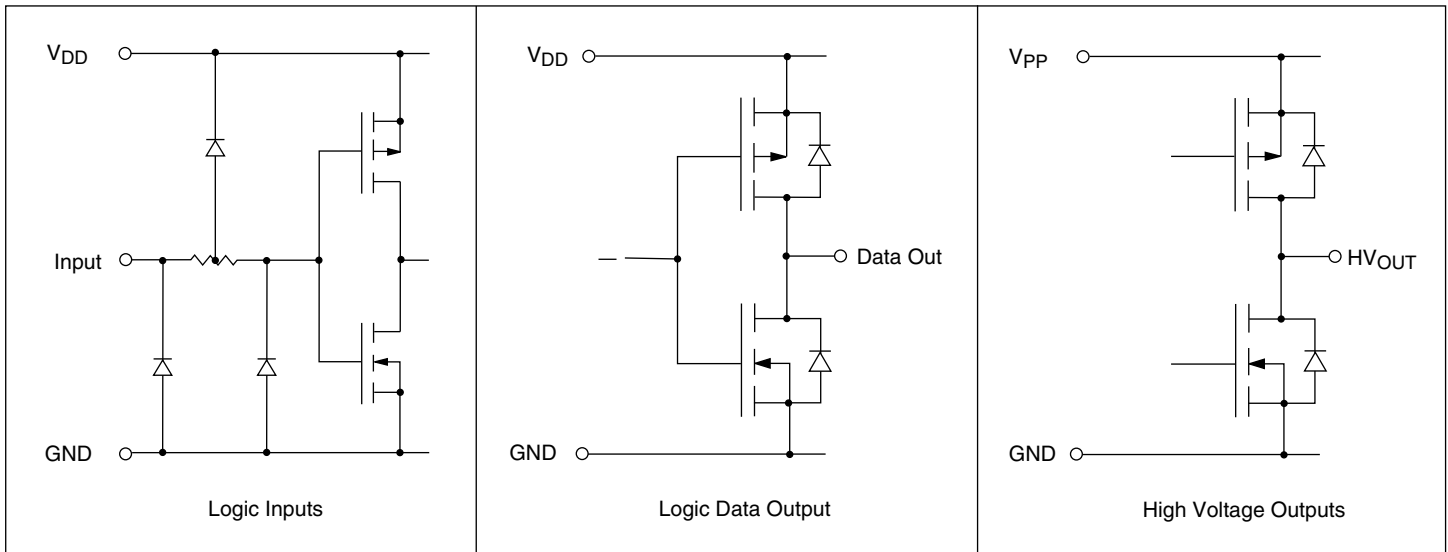
Note:

Power-up sequence should be the following:

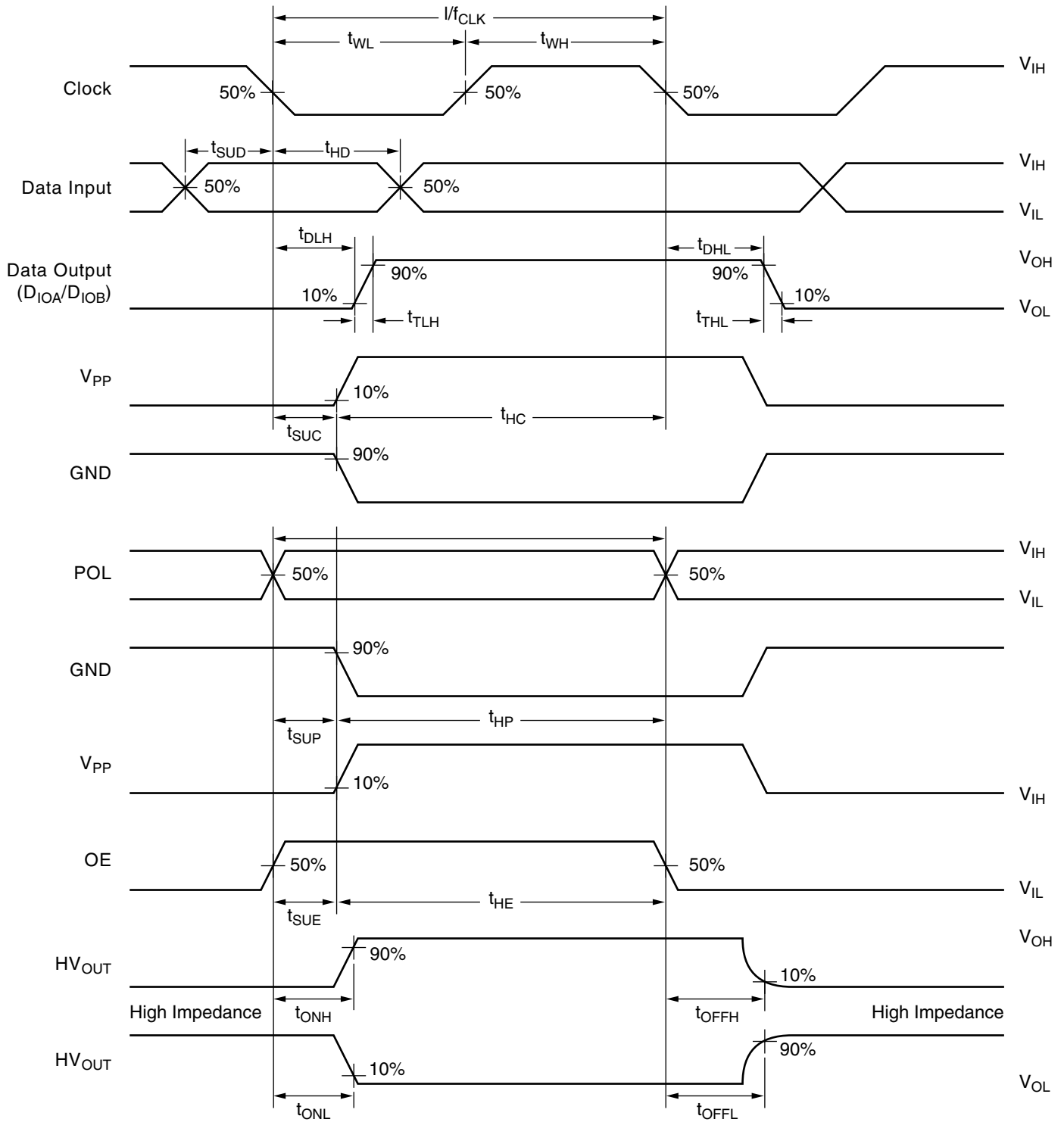
1. Connect ground.
2. Apply V_{DD} .
3. Set all inputs (Data, CLK, Enable, etc.) to a known state.
4. Apply V_{PP} .
5. The V_{PP} should not drop below V_{DD} or float during operation.

Power-down sequence should be the reverse of the above.

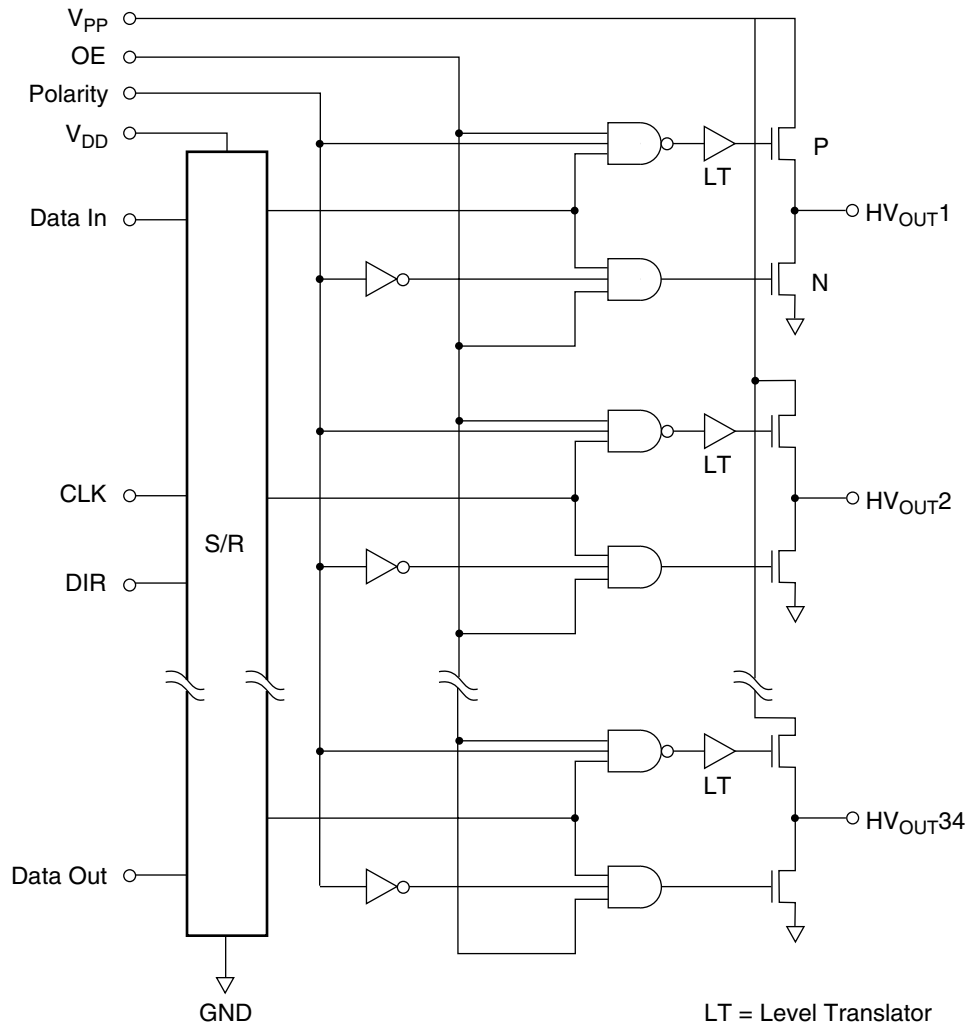
Input and Output Equivalent Circuits



Switching Waveforms



Functional Block Diagram



Function Table

I/O Relations	Inputs					Outputs		
	CLK	DIR	Data	POL	OE	Shift Reg	HV Outputs	Data Out
O/P HIGH	X	X	H	H	H	*	H	
O/P OFF	X	X	L	H	H	*	HIGH-Z	*
O/P LOW	X	X	H	L	H	*	L	*
O/P OFF	X	X	L	L	H	*	HIGH-Z	*
O/P OFF	X	X	X	X	L	*	All O/P HIGH-Z	*
Load S/R, set DIR	↓	L	X	X	X	$Q_n \rightarrow Q_{n+1}$	*	Q_{34}
	↓	H	X	X	X	$Q_n \rightarrow Q_{n-1}$	*	Q_1
	No ↓	X	X	X	X	*	No Change	No Change

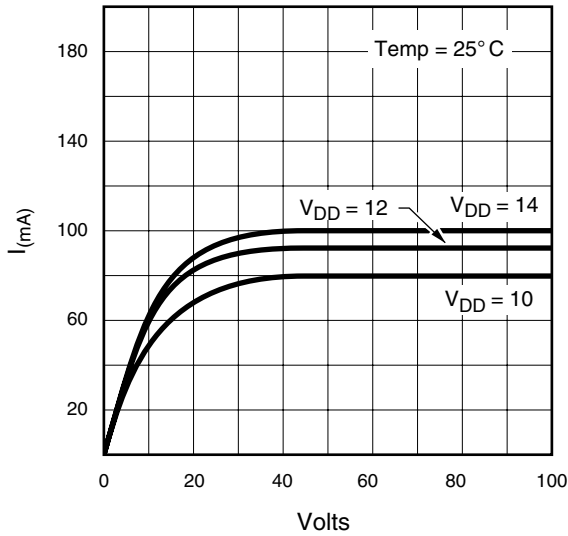
Notes:

H = logic high level, L = logic low level, X = irrelevant, ↓ = high-to-low transition,

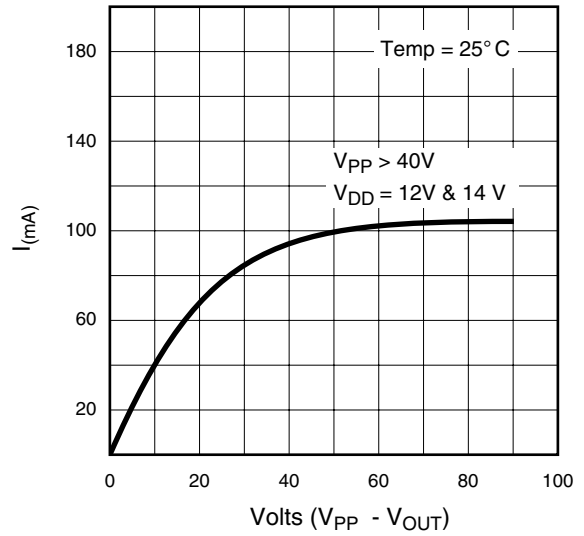
$Q_n = HV_{OUT\ n}$, $Q_n \rightarrow Q_{n-1}$, etc.

* = dependent on previous state and whether an O/P or S/R command occurred.

HV_{OUT} Characteristics



Output N-Channel Characteristics through FET



Output P-Channel Characteristics through FET

Pin Configurations

HV70

44 Pin J-Lead Package

Pin	Function	Pin	Function
1	HV _{OUT} 18/17	23	DIR
2	HV _{OUT} 17/18	24	V _{DD}
3	HV _{OUT} 16/19	25	Polarity
4	HV _{OUT} 15/20	26	Data In
5	HV _{OUT} 14/21	27	V _{PP}
6	HV _{OUT} 13/22	28	N/C
7	HV _{OUT} 12/23	29	HV _{OUT} 34/1
8	HV _{OUT} 11/24	30	HV _{OUT} 33/2
9	HV _{OUT} 10/25	31	HV _{OUT} 32/3
10	HV _{OUT} 9/26	32	HV _{OUT} 31/4
11	HV _{OUT} 8/27	33	HV _{OUT} 30/5
12	HV _{OUT} 7/28	34	HV _{OUT} 29/6
13	HV _{OUT} 6/29	35	HV _{OUT} 28/7
14	HV _{OUT} 5/30	36	HV _{OUT} 27/8
15	HV _{OUT} 4/31	37	HV _{OUT} 26/9
16	HV _{OUT} 3/32	38	HV _{OUT} 25/10
17	HV _{OUT} 2/33	39	HV _{OUT} 24/11
18	HV _{OUT} 1/34	40	HV _{OUT} 23/12
19	Data Out	41	HV _{OUT} 22/13
20	Output Enable	42	HV _{OUT} 21/14
21	Clock	43	HV _{OUT} 20/15
22	GND	44	HV _{OUT} 19/16

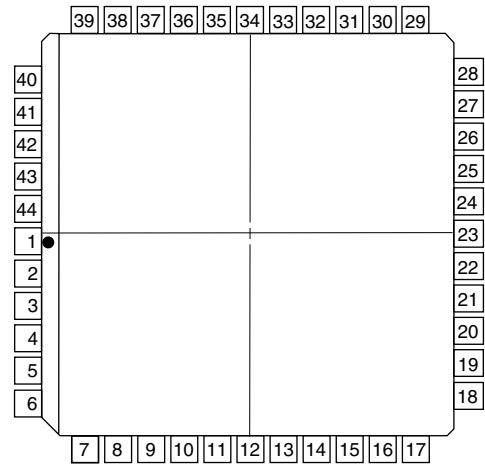
Note:

Pin designation for DIR L/H

Example: For DIR = L, pin 1 is HV_{OUT} 18

For DIR = H, pin 1 is HV_{OUT} 17

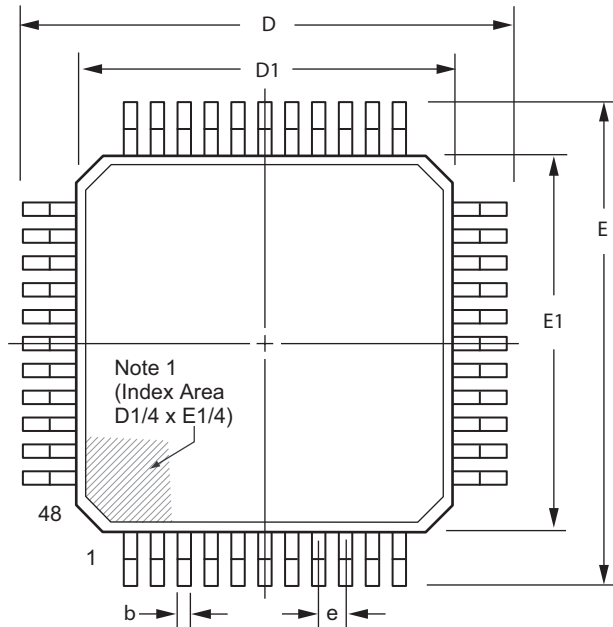
Package Outline



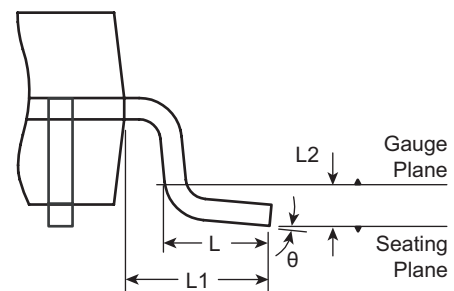
top view

44-pin J-Lead Package

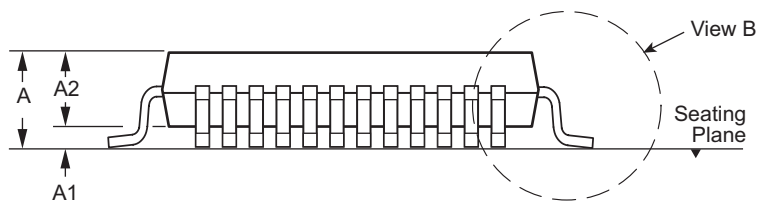
44-Lead PQFP Package Outline (PG)



Top View



View B



Side View

Note 1:

A Pin 1 identifier must be located in the index area indicated. The Pin 1 identifier may be either a mold, or an embedded metal or marked feature.

Symbol	A	A1	A2	b	D	D1	E	E1	e	L	L1	L2	θ	θ1	
Dimension (mm)	MIN	-	0.25	1.95	0.30	13.65	9.80	13.65	9.80	0.80 BSC	0.73	1.95 REF	0.25 BSC	3.5°	5°
	NOM	-	-	2.00	-	13.90	10.00	13.90	10.00		0.88			-	-
	MAX	2.45	-	2.10	0.45	14.15	10.20	14.15	10.20		1.03			7°	16°

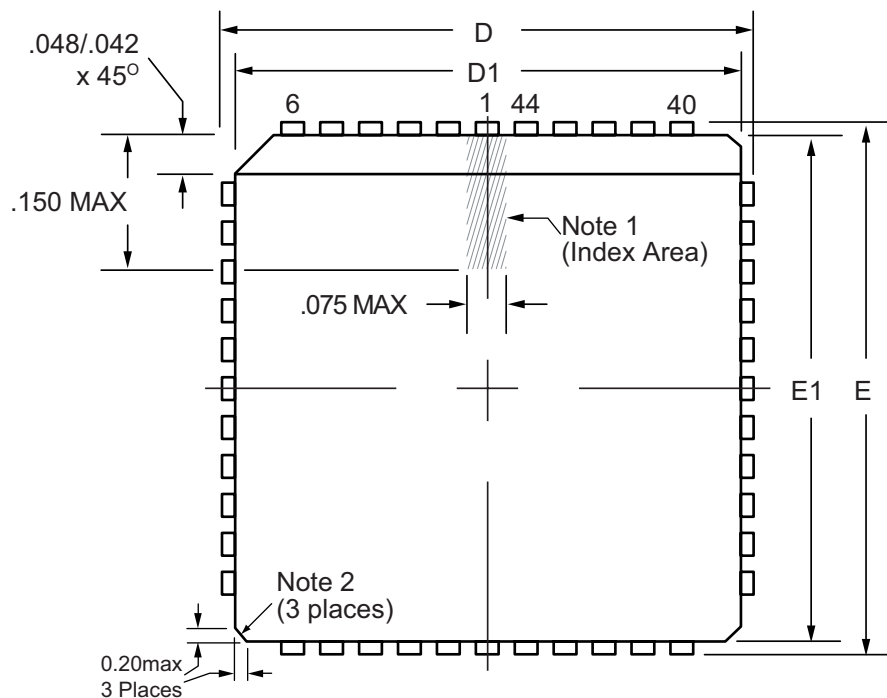
JEDEC Registration M0-112, Variation AA-2, Issue B, Sep. 1995.

Supertex inc. does not recommend the use of its products in life support applications, and will not knowingly sell its products for use in such applications, unless it receives an adequate "product liability indemnification insurance agreement". **Supertex** does not assume responsibility for use of devices described and limits its liability to the replacement of the devices determined defective due to workmanship. No responsibility is assumed for possible omissions or inaccuracies. Circuitry and specifications are subject to change without notice. For the latest product specifications, refer to the **Supertex** website: <http://www.supertex.com>.

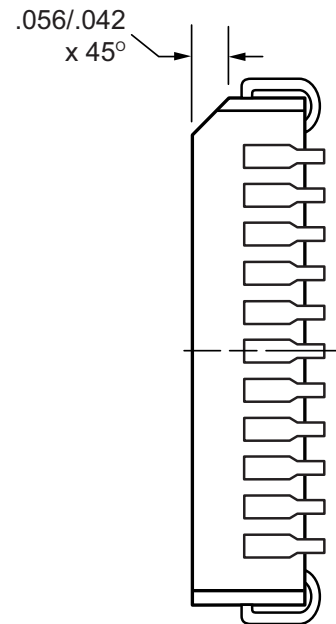
©2007 **Supertex inc.** All rights reserved. Unauthorized use or reproduction is prohibited.

44-Lead PLCC Package Outline (PJ)

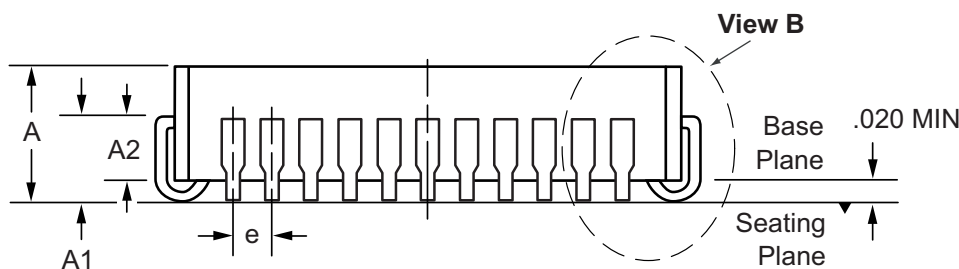
.653x.653in body, .180in height (max.), .050in pitch



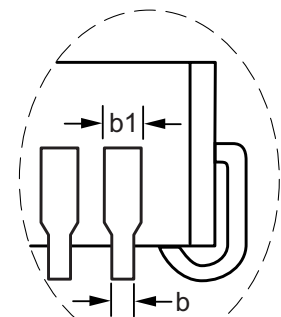
Top View



Side View



Side View



View B

- Note:**
1. A Pin 1 identifier must be located in the index area indicated. The Pin 1 identifier may be either a mold, or an embedded metal or marked feature.
 2. Exact shape of this feature is optional.

Symbol		A	A1	A2	b	b1	D	D1	E	E1	e
Dimension (inches)	MIN	.165	.090	.062	.013	.026	.685	.650	.685	.650	.050 BSC
	NOM	.172	.105	-	-	-	.690	.653	.690	.653	
	MAX	.180	.120	.083	.021	.036	.695	.656	.695	.656	

JEDEC Registration MS-018, Variation AC, Issue A, June, 1993.
 Drawings are not to scale.

Supertex inc. does not recommend the use of its products in life support applications, and will not knowingly sell its products for use in such applications, unless it receives an adequate "product liability indemnification insurance agreement". **Supertex** does not assume responsibility for use of devices described and limits its liability to the replacement of the devices determined defective due to workmanship. No responsibility is assumed for possible omissions or inaccuracies. Circuitry and specifications are subject to change without notice. For the latest product specifications, refer to the **Supertex** website: <http://www.supertex.com>.