

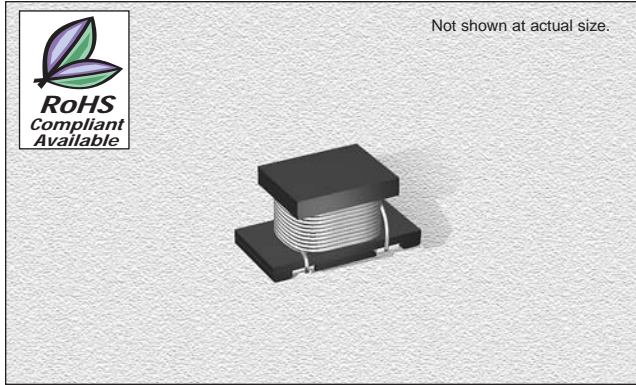
CTLQ1210L Series

From .15 μ H to 100 μ H

SPECIFICATIONS

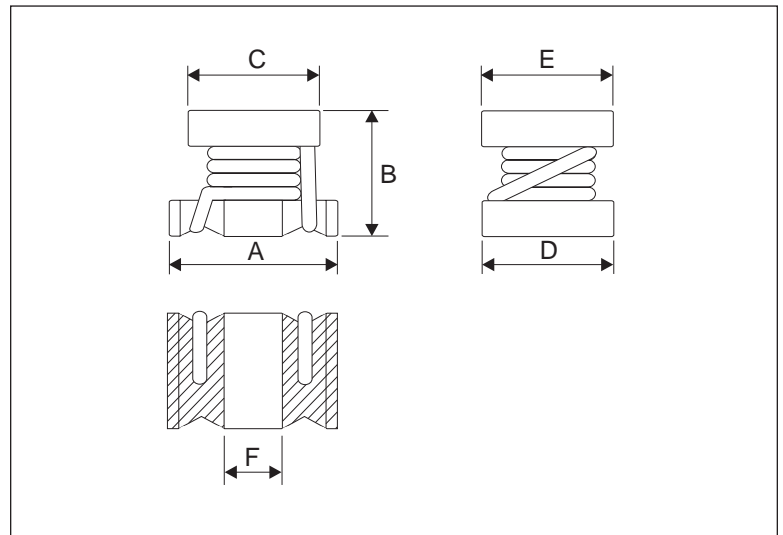
Please specify tolerance code when ordering.
 CTLQ1210L-100_ ← K = \pm 10%, M = \pm 20%
 CTLQ120LE Please specify "F" for RoHS Compliant

Part Number	Inductance (μ H)	Test Freq. (MHz)	DCR (Ω) \pm 30%	SRF (MHz) Min.	Rated DC (mA) Max.
CTLQ1210L-R15M	.15	1.0	0.028	400	1450
CTLQ1210L-R27M	.27	1.0	0.034	250	1250
CTLQ1210L-R47M	.47	1.0	0.042	150	1100
CTLQ1210L-1R0M	1.0	1.0	0.060	100	1000
CTLQ1210L-2R2M	2.2	1.0	0.097	64	790
CTLQ1210L-4R7M	4.7	1.0	0.15	43	650
CTLQ1210L-100_	10	1.0	0.30	26	450



PHYSICAL DIMENSIONS

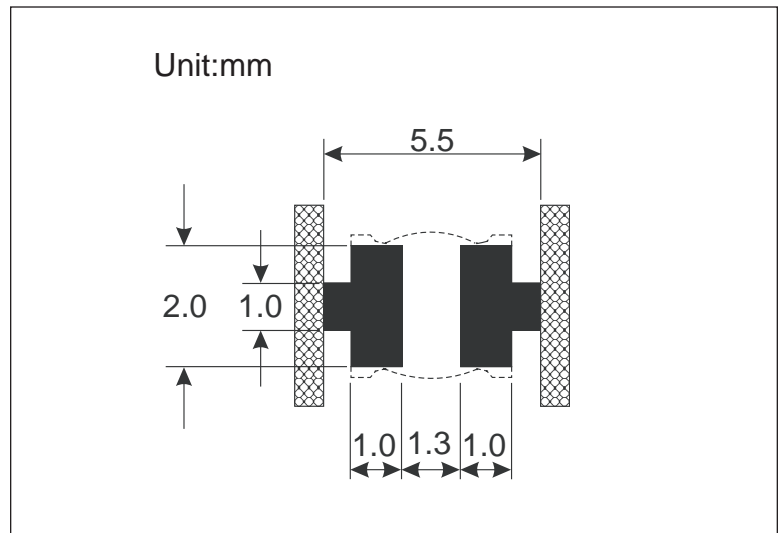
Size	A	B	C	D	E	F
mm	3.2 \pm 0.3	2.0 \pm 0.2	2.5 \pm 0.2	2.5 \pm 0.2	2.5 \pm 0.2	0.7
inches	0.13 \pm 0.01	0.08 \pm 0.008	0.10 \pm 0.008	0.10 \pm 0.008	0.10 \pm 0.008	0.03



CHARACTERISTICS

- Description:** SMD power inductor
- Applications:** Power supplies for VTR, OA equipment, LCD televisions, PC notebooks, portable communication equipment, DC/DC converters, etc.
- Operating Temperature:** -25°C to +85°C
- Inductance Tolerance:** K = \pm 10% & M = \pm 20%
- Packaging:** Tape & Reel
- Miscellaneous:** RoHS Compliant available.
- Testing:** Tested on a HP4285A @ specified frequency
- Pads:** Soft copper and pre-tinned
- Additional Information:** Additional electrical & physical information available upon request
- Samples available. See website for ordering information.**

LAND PATTERN



01.16.06



Manufacturer of Inductors, Chokes, Coils, Beads, Transformers & Toroids

800-684-5322 Inside US 949-453-1811 Outside US

Copyright © 2006 by CT Magnetics, DBA Central Technologies. All rights reserved.

CT Magnetics reserves the right to make improvements or change specifications without notice