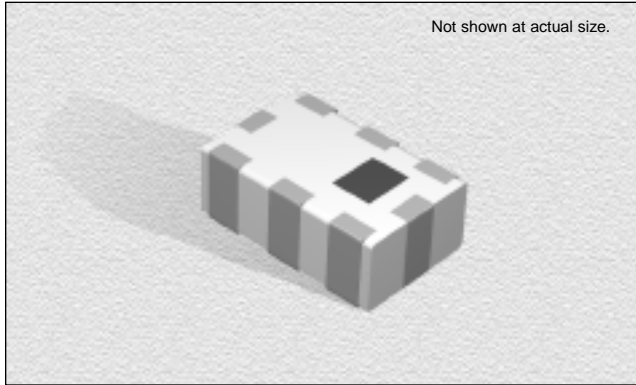


# CTLPF2012

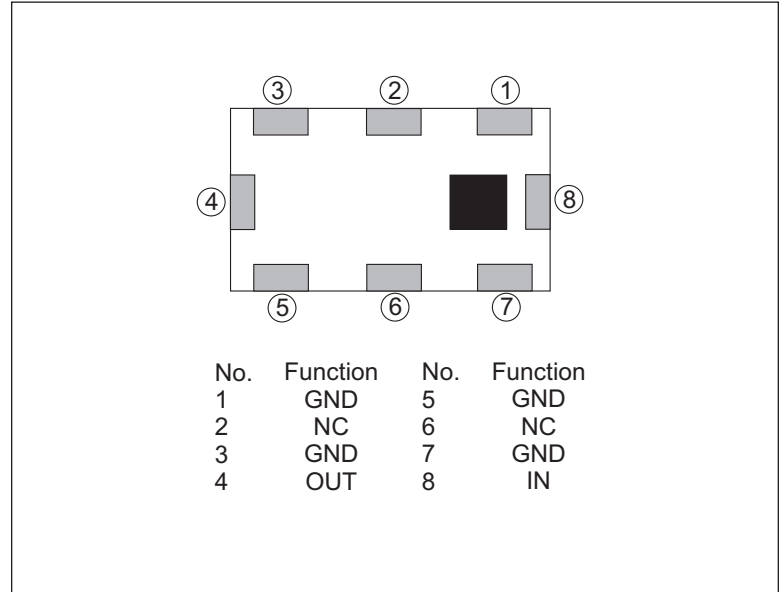
0.902 GHz to 5.875 GHz

## SPECIFICATIONS

Part Number	Frequency (MHz)	Insertion Loss (dB) (Max.)	Attenuation (Min.)	Return Loss (dB) (Min.)	Input Power Watts (Max.)	Impedance ( $\Omega$ )
CTLPF2012-0915	902 - 928	0.65	25 dB @ $2 \times f_0$ 25 dB @ $3 \times f_0$	9.5	3	50
CTLPF2012-2450	2400 - 2500	0.5	27 dB @ $2 \times f_0$ 25 dB @ $3 \times f_0$ 25 dB @ $4 \times f_0$	10.0	1	50
CTLPF2012-5515	5150 - 5875	0.6	25 dB @ $2 \times f_0$ 20 dB @ $3 \times f_0$ Ref.	10.9	1	50



## TERMINAL CONFIGURATION

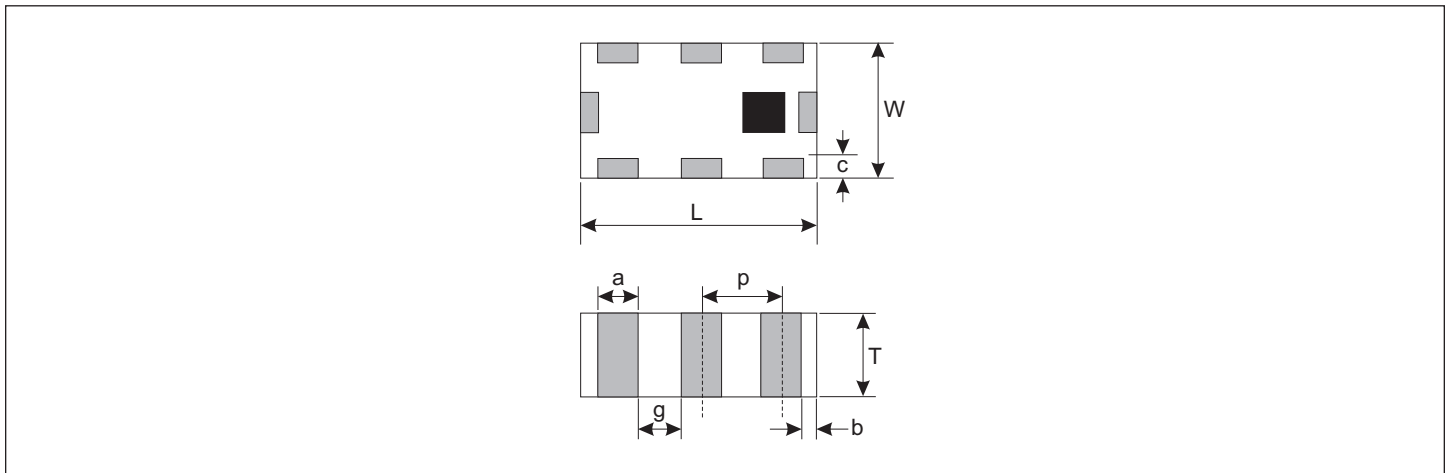


## CHARACTERISTICS

**Description:** Multi-layer Chip Low Pass Filters  
**Applications:** WLAN, Bluetooth, HomeRF, 2.4 GHz ISM, PCS/DSCS/GSM/DECT/PHS  
**Operating Temperature:** -40°C to +85°C  
**Packaging:** Tape & Reel  
**Polarity Marking:** Marking is on the upper surface of the unit  
**Additional Information:** Additional electrical & physical information available upon request  
**Samples available. See website for ordering information.**

## PHYSICAL DIMENSIONS

Size	L	W	T	a	b	c	g	p
mm	2.0±0.1	1.25±0.1	0.85±0.1	0.30±0.1	0.20±0.1	0.30+0.1/-0.2	0.35±0.1	0.65±0.05
inches	0.079±0.004	0.049±0.004	0.032±0.004	0.012±0.004	0.008±0.004	0.012+0.004/-0.008	0.014±0.004	0.026±0.002



12.14.01



Manufacturer of Inductors, Chokes, Coils, Beads, Transformers & Toroids

800-684-5322 Inside US 949-453-1811 Outside US

Copyright © 2004 by CT Magnetics, DBA Central Technologies. All rights reserved.

CT Magnetics reserves the right to make improvements or change specifications without notice