



# Power Inductor

## SMD Shielded Power Inductor - TCRH2D18A/3D16A Series / 贴片闭磁式功率电感

### ► SMD Shielded Power Inductor Features

- Magnetically shielded construction
- Compact and thin
- Large Current and Low DCR

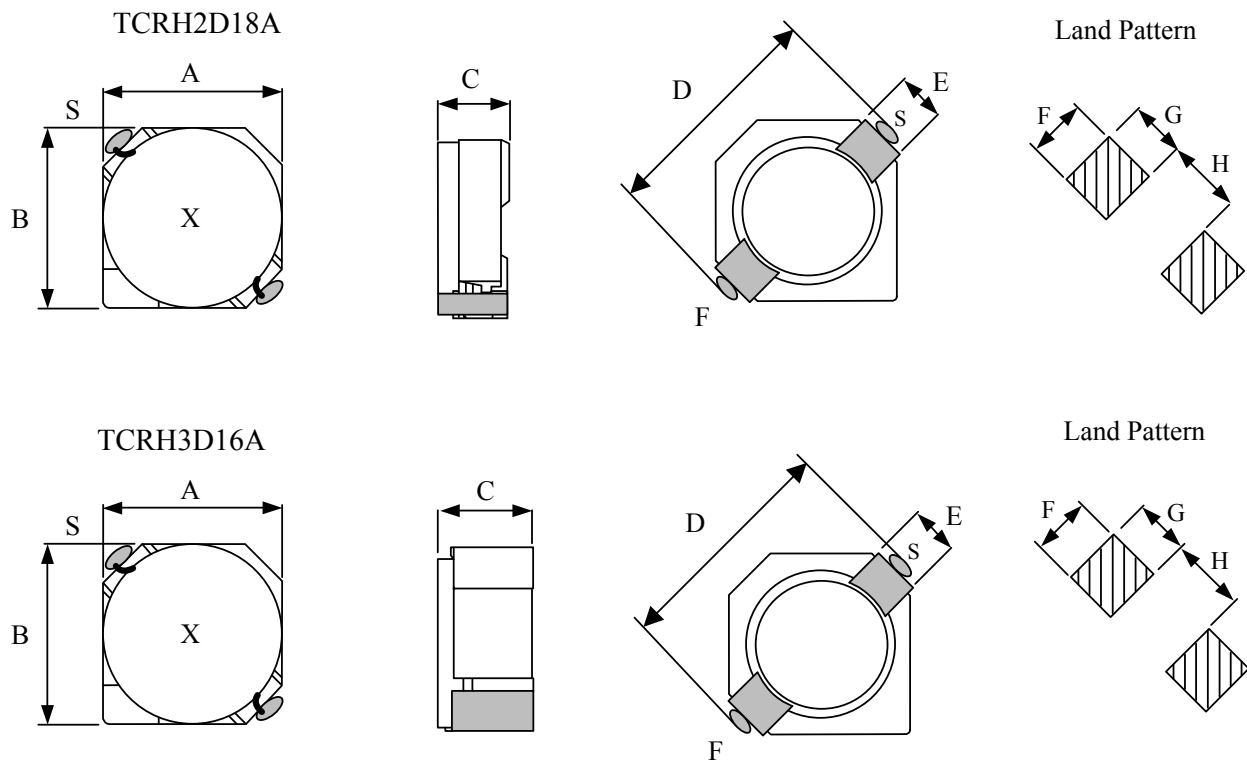
### ► Applications

- DC-DC converter of portable equipment.
- Camcorder, LCD television set, Digital camera, P.D.A., Notebook.

### ► SMD Shielded Power Inductor Dimensions & Configurations (Unit In mm)

Type	A(max)	B(max)	C(max)	D(max)	E(Ref.)	F	G	H
TCRH2D18A	3.2	3.2	2.0	4.3	1.0	1.3	1.3	1.7
TCRH3D16A	4.0	4.0	1.8	5.2	1.0	1.3	1.4	2.4

Note: Design as Customer's Requested Specifications.





# Power Inductor

## ► Electrical Characteristics for TCRH2D18A Series SMD Shielded Power Inductor

Part Number	MARK	Inductance (μH)	Test Freq. ( KHz )	DCR (Ω) (max)	IDC (A) (max)
TCRH2D18A - 2R2N	C	2.20	100	0.043	0.85
TCRH2D18A - 3R3N	D	3.30	100	0.060	0.77
TCRH2D18A - 4R7N	F	4.70	100	0.081	0.63
TCRH2D18A - 6R8N	I	6.80	100	0.108	0.57
TCRH2D18A - 100N	K	10.00	100	0.201	0.45
TCRH2D18A - 150N	M	15.00	100	0.227	0.35
TCRH2D18A - 220N	O	22.00	100	0.331	0.30
TCRH2D18A - 330N	Q	33.00	100	0.481	0.23

Note: Test Freq.: 100KHz / 0.1V.

Operating Temp.: -40°C ~ +85°C

Inductance drop=35% typ. at IDC.

## ► Electrical Characteristics for TCRH3D16A Series SMD Shielded Power Inductor

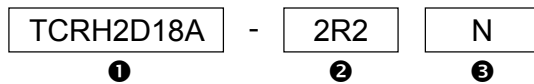
Part Number	Inductance (μH)	Test Freq. (KHz)	DCR (Ω) (max)	IDC (A) (max)
TCRH3D16A - 1R5N	1.50	100	0.052	1.55
TCRH3D16A - 2R2N	2.20	100	0.072	1.20
TCRH3D16A - 3R3N	3.30	100	0.085	1.10
TCRH3D16A - 4R7N	4.70	100	0.105	0.90
TCRH3D16A - 6R8N	6.80	100	0.170	0.73
TCRH3D16A - 100N	10.00	100	0.210	0.55
TCRH3D16A - 150N	15.00	100	0.295	0.45
TCRH3D16A - 220N	22.00	100	0.430	0.40
TCRH3D16A - 330N	33.00	100	0.675	0.32

Note: Test Freq.: 100KHz / 0.1V.

Operating Temp.: - 40°C ~ +85°C.

Inductance drop=35% typ. at IDC.

## ► How to Order



① SMD Shielded Power Inductor:TCRH2D18A , TCRH3D16A

② Inductance

Code	Inductance
1R5	1.50μH
100	10.00μH

③ Tolerance

Code	Tolerance
K	10%
L	15%
M	20%
N	30%

