



# SMD Inductors

## Power Inductors SMT Shielded - RH62B/64B Series / 功率电感贴片闭磁式

### ► Power Inductors SMT Shielded Features

- Magnetically shielded construction
- Compact and thin
- Large Current and Low DCR

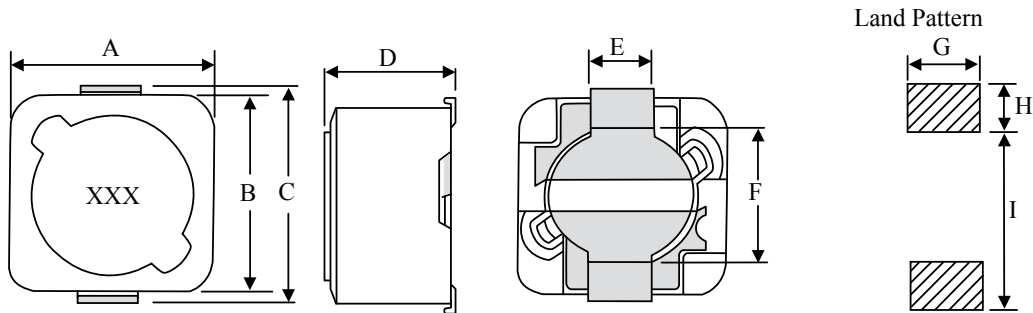
### ► Applications

VTR, OA equipment, LCD television set, Notebook, portable communication equipments, DC/DC converters, etc..

### ► Power Inductors SMT Shielded Dimensions & Configurations (Unit In mm)

Type	A ± 0.3	B ± 0.3	C ± 0.3	D(max)	E ± 0.2	F	G	H	I
TCRH62B	6.2	5.9	6.6	3.0	1.5	4.6	1.9	1.4	4.6
TCRH64B	6.2	5.9	6.6	5.0	1.5	4.6	1.9	1.4	4.6

Note: Design as Customer's Requested Specifications.



### ► Electrical Characteristics for TCRH62B Series Power Inductors SMT Shielded

Part Number	Inductance (μH)	Test Freq. ( Hz )	DCR (Ω) (max)	IDC (A) (max)
TCRH62B - 2R9N	2.90	7.96M	0.068	1.94
TCRH62B - 3R3N	3.30	7.96M	0.075	1.80
TCRH62B - 4R0N	4.00	7.96M	0.080	1.63
TCRH62B - 4R7N	4.70	7.96M	0.090	1.55
TCRH62B - 5R5N	5.50	7.96M	0.096	1.40
TCRH62B - 100M	10.00	1K	0.150	1.10
TCRH62B - 120M	12.00	1K	0.200	1.00
TCRH62B - 150M	15.00	1K	0.230	0.90
TCRH62B - 180M	18.00	1K	0.270	0.80
TCRH62B - 220M	22.00	1K	0.340	0.74
TCRH62B - 270M	27.00	1K	0.380	0.66
TCRH62B - 330M	33.00	1K	0.450	0.59
TCRH62B - 390M	39.00	1K	0.490	0.54
TCRH62B - 470M	47.00	1K	0.690	0.50
TCRH62B - 560M	56.00	1K	0.780	0.46
TCRH62B - 680M	68.00	1K	1.070	0.42
TCRH62B - 820M	82.00	1K	1.210	0.38
TCRH62B - 101M	100.00	1K	1.390	0.34
TCRH62B - 121M	120.00	1K	1.900	0.31

Continued on the following page. ↘





## SMD Inductors

↖ Continued from the preceding page.

Part Number	Inductance (μH)	Test Freq. ( Hz )	DCR (Ω) (max)	IDC (A) (max)
TCRH62B - 151M	150.00	1K	2.180	0.28
TCRH62B - 181M	180.00	1K	2.770	0.26
TCRH62B - 221M	220.00	1K	3.120	0.23
TCRH62B - 271M	270.00	1K	4.380	0.22
TCRH62B - 331M	330.00	1K	4.940	0.19

Note: 2R9~5R5 Test Freq.: 7.96MHz; 100~331 Test Freq.: 1KHz / 0.25V.

Operating Temp.: -40°C ~ +85°C

Inductance drop=25% typ. at IDC.

### ► Electrical Characteristics for TCRH64B Series Power Inductors SMT Shielded

Part Number	Inductance (μH)	Test Freq. (KHz)	DCR (Ω) (max)	IDC (A) (max)
TCRH64B - 2R9N	2.90	1	0.047	1.80
TCRH64B - 3R3N	3.30	1	0.050	1.75
TCRH64B - 4R0N	4.00	1	0.060	1.65
TCRH64B - 4R7N	4.70	1	0.065	1.55
TCRH64B - 5R5N	5.50	1	0.070	1.45
TCRH64B - 100M	10.00	1	0.120	1.35
TCRH64B - 120M	12.00	1	0.130	1.22
TCRH64B - 150M	15.00	1	0.180	1.11
TCRH64B - 180M	18.00	1	0.240	1.02
TCRH64B - 220M	22.00	1	0.270	0.91
TCRH64B - 270M	27.00	1	0.300	0.82
TCRH64B - 330M	33.00	1	0.330	0.74
TCRH64B - 390M	39.00	1	0.370	0.69
TCRH64B - 470M	47.00	1	0.520	0.62
TCRH64B - 560M	56.00	1	0.560	0.58
TCRH64B - 680M	68.00	1	0.630	0.51
TCRH64B - 820M	82.00	1	0.710	0.46
TCRH64B - 101M	100.00	1	1.030	0.42
TCRH64B - 121M	120.00	1	1.150	0.38
TCRH64B - 151M	150.00	1	1.680	0.35
TCRH64B - 181M	180.00	1	1.870	0.32
TCRH64B - 221M	220.00	1	2.080	0.29
TCRH64B - 271M	270.00	1	2.370	0.26
TCRH64B - 331M	330.00	1	2.670	0.23
TCRH64B - 391M	390.00	1	2.940	0.22
TCRH64B - 471M	470.00	1	3.930	0.20
TCRH64B - 561M	560.00	1	5.430	0.18
TCRH64B - 681M	680.00	1	7.320	0.17
TCRH64B - 821M	820.00	1	8.240	0.15
TCRH64B - 102M	1000.00	1	9.260	0.14

Note: Test Freq. : 1KHz / 0.25V.

Operating Temp. : -40°C ~ +85°C

Inductance drop=25% typ. at IDC.





# SMD Inductors

## ► How to Order

TCRH62B - 2R9 N

①                      ②                      ③

① SMT Shielded Power Inductors : TCRH62B, TCRH64B

### ② Inductance

Code	Inductance
2R9	2.90μH
120	12.00μH
121	120.00μH

### ③ Tolerance

Code	Tolerance
K	10%
L	15%
M	20%
N	30%