

PEMB24; PUMB24

PNP/PNP resistor-equipped transistors;
R1 = 100 k Ω , R2 = 100 k Ω

Rev. 01 — 18 February 2005

Product data sheet

1. Product profile

1.1 General description

PNP/PNP resistor-equipped transistors.

Table 1: Product overview

| Type number | Package | | NPN/PNP complement | NPN/PNP complement |
|-------------|---------|-------|--------------------|--------------------|
| | Philips | JEITA | | |
| PEMB24 | SOT666 | - | PEMD24 | PEMH24 |
| PUMB24 | SOT363 | SC-88 | PUMD24 | PUMH24 |

1.2 Features

- Built-in bias resistors
- Simplifies circuit design
- Reduces component count
- Reduces pick and place cost

1.3 Applications

- Low current peripheral driver
- Control of IC inputs
- Replacement of general-purpose transistors in digital applications

1.4 Quick reference data

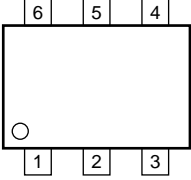
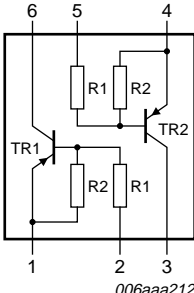
Table 2: Quick reference data

| Symbol | Parameter | Conditions | Min | Typ | Max | Unit |
|------------------|---------------------------|------------|-----|-----|-----|------------|
| V _{CEO} | collector-emitter voltage | open base | - | - | -50 | V |
| I _O | output current (DC) | | - | - | -20 | mA |
| R1 | bias resistor 1 (input) | | 70 | 100 | 130 | k Ω |
| R2/R1 | bias resistor ratio | | 0.8 | 1 | 1.2 | |

PHILIPS

2. Pinning information

Table 3: Pinning

| Pin | Description | Simplified outline | Symbol |
|-----|------------------------|--|--|
| 1 | GND (emitter) TR1 |  <p>001aab555</p> |  <p>006aaa212</p> |
| 2 | input (base) TR1 | | |
| 3 | output (collector) TR2 | | |
| 4 | GND (emitter) TR2 | | |
| 5 | input (base) TR2 | | |
| 6 | output (collector) TR1 | | |

3. Ordering information

Table 4: Ordering information

| Type number | Package | | |
|-------------|---------|--|---------|
| | Name | Description | Version |
| PEMB24 | - | plastic surface mounted package; 6 leads | SOT666 |
| PUMB24 | SC-88 | plastic surface mounted package; 6 leads | SOT363 |

4. Marking

Table 5: Marking codes

| Type number | Marking code ^[1] |
|-------------|-----------------------------|
| PEMB24 | 6M |
| PUMB24 | T7* |

- [1] * = -: made in Hong Kong
 * = p: made in Hong Kong
 * = t: made in Malaysia
 * = W: made in China

5. Limiting values

Table 6: Limiting values

In accordance with the Absolute Maximum Rating System (IEC 60134).

| Symbol | Parameter | Conditions | Min | Max | Unit |
|-----------------------|---------------------------|-----------------------------|-----------|------|------|
| Per transistor | | | | | |
| V_{CBO} | collector-base voltage | open emitter | - | -50 | V |
| V_{CEO} | collector-emitter voltage | open base | - | -50 | V |
| V_{EBO} | emitter-base voltage | open collector | - | -10 | V |
| V_I | input voltage | | | | |
| | positive | | - | +10 | V |
| | negative | | - | -40 | V |
| I_O | output current (DC) | | - | -20 | mA |
| I_{CM} | peak collector current | | - | -100 | mA |
| P_{tot} | total power dissipation | $T_{amb} \leq 25\text{ °C}$ | | | |
| | SOT363 | | [1] - | 200 | mW |
| | SOT666 | | [1] [2] - | 200 | mW |
| T_{stg} | storage temperature | | -65 | +150 | °C |
| T_j | junction temperature | | - | 150 | °C |
| T_{amb} | ambient temperature | | -65 | +150 | °C |
| Per device | | | | | |
| P_{tot} | total power dissipation | $T_{amb} \leq 25\text{ °C}$ | | | |
| | SOT363 | | [1] - | 300 | mW |
| | SOT666 | | [1] [2] - | 300 | mW |

[1] Device mounted on an FR4 printed-circuit board, single-sided copper, standard footprint.

[2] Reflow soldering is the only recommended soldering method.

6. Thermal characteristics

Table 7: Thermal characteristics

| Symbol | Parameter | Conditions | Min | Typ | Max | Unit |
|-----------------------|---|-----------------------------|-----------|-----|-----|------|
| Per transistor | | | | | | |
| $R_{th(j-a)}$ | thermal resistance from junction to ambient | $T_{amb} \leq 25\text{ °C}$ | | | | |
| | SOT363 | | [1] - | - | 625 | K/W |
| | SOT666 | | [1] [2] - | - | 625 | K/W |
| Per device | | | | | | |
| $R_{th(j-a)}$ | thermal resistance from junction to ambient | $T_{amb} \leq 25\text{ °C}$ | | | | |
| | SOT363 | | [1] - | - | 416 | K/W |
| | SOT666 | | [1] [2] - | - | 416 | K/W |

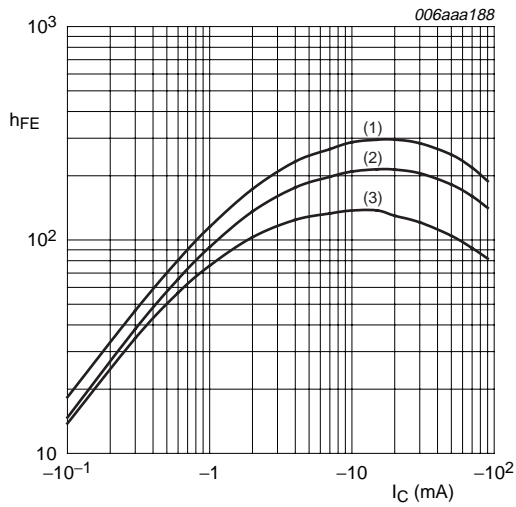
[1] Device mounted on an FR4 printed-circuit board, single-sided copper, standard footprint.

[2] Reflow soldering is the only recommended soldering method.

7. Characteristics

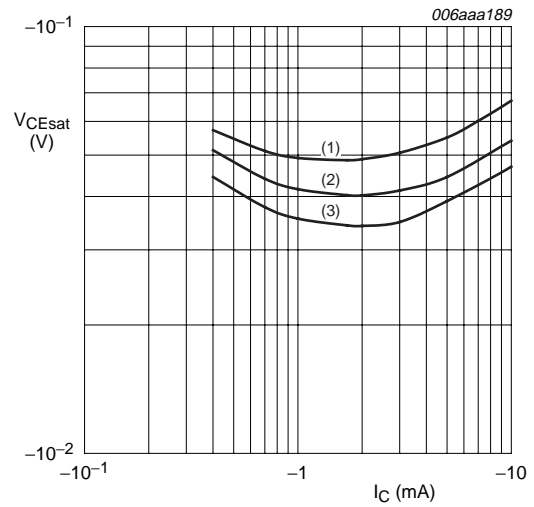
Table 8: Characteristics
T_{amb} = 25 °C unless otherwise specified.

| Symbol | Parameter | Conditions | Min | Typ | Max | Unit |
|-----------------------|--------------------------------------|--|-----|------|------|------------|
| Per transistor | | | | | | |
| I _{CBO} | collector-base cut-off current | V _{CB} = -50 V; I _E = 0 A | - | - | -100 | nA |
| I _{CEO} | collector-emitter cut-off current | V _{CE} = -30 V; I _B = 0 A | - | - | -1 | μ A |
| | | V _{CE} = -30 V; I _B = 0 A; T _j = 150 °C | - | - | -50 | μ A |
| I _{EBO} | emitter-base cut-off current | V _{EB} = -5 V; I _C = 0 A | - | - | -50 | μ A |
| h _{FE} | DC current gain | V _{CE} = -5 V; I _C = -5 mA | 80 | - | - | |
| V _{CEsat} | collector-emitter saturation voltage | I _C = -5 mA; I _B = -0.25 mA | - | - | -150 | mV |
| V _{I(off)} | off-state input voltage | V _{CE} = -5 V; I _C = -100 μ A | - | -1.2 | -0.5 | V |
| V _{I(on)} | on-state input voltage | V _{CE} = -0.3 V; I _C = -1 mA | -3 | -1.6 | - | V |
| R1 | bias resistor 1 (input) | | 70 | 100 | 130 | k Ω |
| R2/R1 | bias resistor ratio | | 0.8 | 1 | 1.2 | |
| C _c | collector capacitance | V _{CB} = -10 V; I _E = i _e = 0 A; f = 1 MHz | - | - | 2.5 | pF |



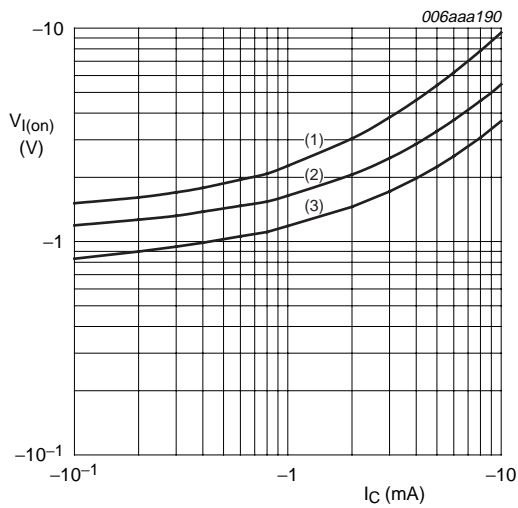
$V_{CE} = -5\text{ V}$
 (1) $T_{amb} = 150\text{ °C}$
 (2) $T_{amb} = 25\text{ °C}$
 (3) $T_{amb} = -40\text{ °C}$

Fig 1. DC current gain as a function of collector current; typical values



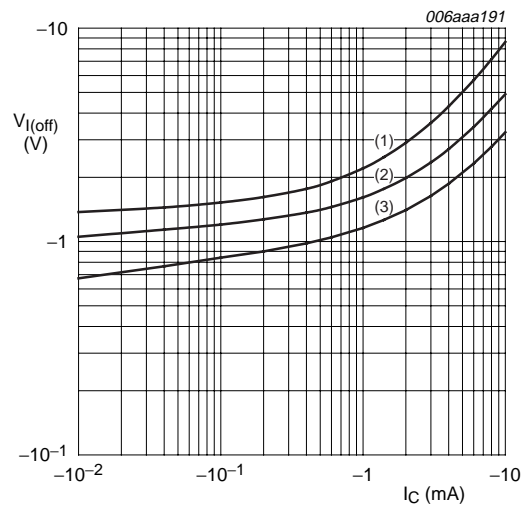
$I_C/I_B = 20$
 (1) $T_{amb} = 100\text{ °C}$
 (2) $T_{amb} = 25\text{ °C}$
 (3) $T_{amb} = -40\text{ °C}$

Fig 2. Collector-emitter saturation voltage as a function of collector current; typical values



$V_{CE} = -0.3\text{ V}$
 (1) $T_{amb} = -40\text{ °C}$
 (2) $T_{amb} = 25\text{ °C}$
 (3) $T_{amb} = 100\text{ °C}$

Fig 3. On-state input voltage as a function of collector current; typical values



$V_{CE} = -5\text{ V}$
 (1) $T_{amb} = -40\text{ °C}$
 (2) $T_{amb} = 25\text{ °C}$
 (3) $T_{amb} = 100\text{ °C}$

Fig 4. Off-state input voltage as a function of collector current; typical values

8. Package outline

Plastic surface mounted package; 6 leads

SOT363

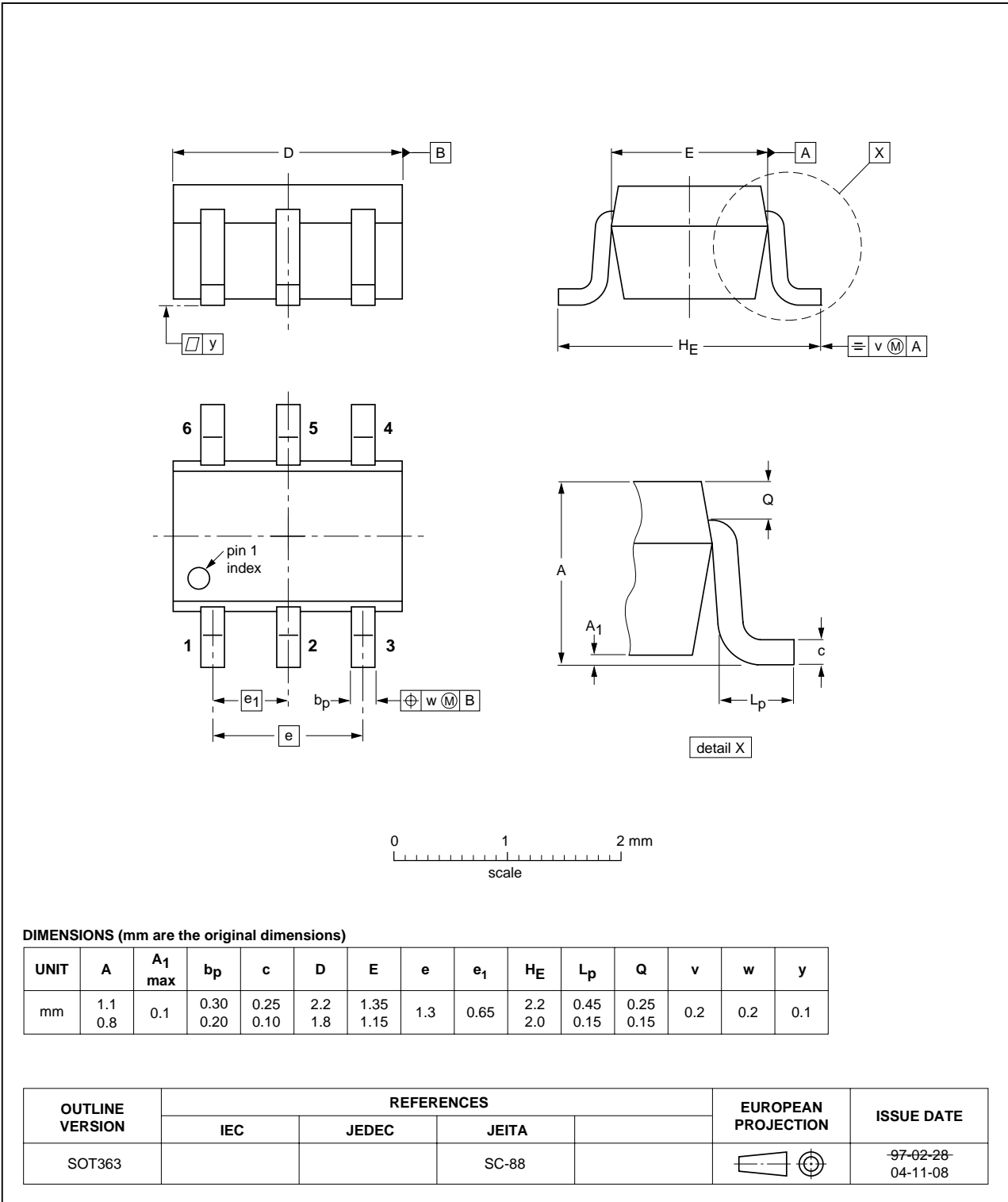


Fig 5. Package outline SOT363 (SC-88)

Plastic surface mounted package; 6 leads

SOT666

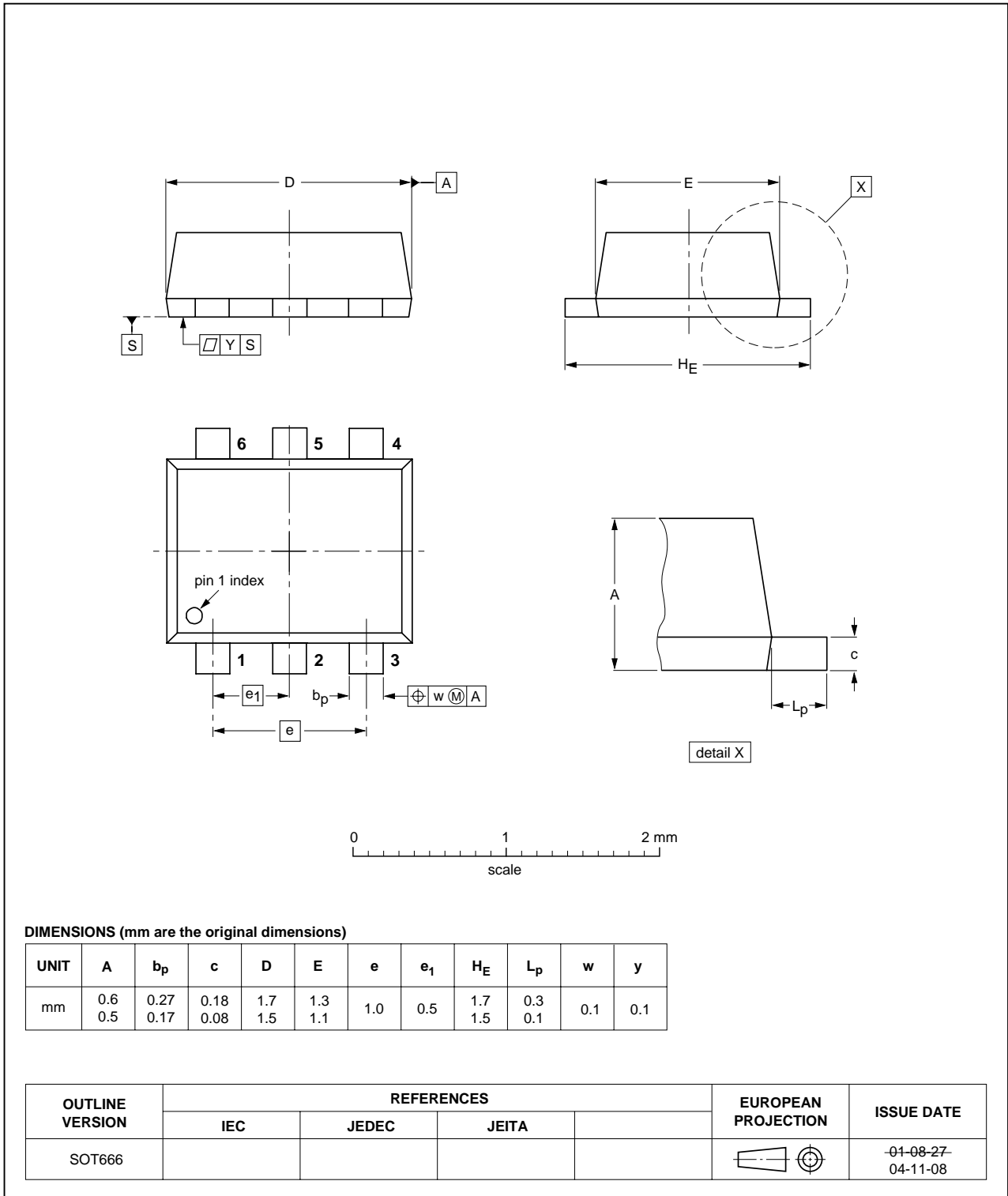


Fig 6. Package outline SOT666

9. Packing information

Table 9: Packing methods

The indicated -xxx are the last three digits of the 12NC ordering code. [\[1\]](#)

| Type number | Package | Description | Packing quantity | | |
|-------------|---------|--|------------------|------|-------|
| | | | 3000 | 4000 | 10000 |
| PEMB24 | SOT666 | 4 mm pitch, 8 mm tape and reel | - | -115 | - |
| PUMB24 | SOT363 | 4 mm pitch, 8 mm tape and reel; T1 [2] | -115 | - | -135 |
| PUMB24 | SOT363 | 4 mm pitch, 8 mm tape and reel; T2 [3] | -125 | - | -165 |

[1] For further information and the availability of packing methods, see [Section 14](#).

[2] T1: normal taping

[3] T2: reverse taping

10. Revision history

Table 10: Revision history

| Document ID | Release date | Data sheet status | Change notice | Doc. number | Supersedes |
|-----------------|--------------|--------------------|---------------|----------------|------------|
| PEMB24_PUMB24_1 | 20050218 | Product data sheet | - | 9397 750 14368 | - |

11. Data sheet status

| Level | Data sheet status ^[1] | Product status ^[2] ^[3] | Definition |
|-------|----------------------------------|--|--|
| I | Objective data | Development | This data sheet contains data from the objective specification for product development. Philips Semiconductors reserves the right to change the specification in any manner without notice. |
| II | Preliminary data | Qualification | This data sheet contains data from the preliminary specification. Supplementary data will be published at a later date. Philips Semiconductors reserves the right to change the specification without notice, in order to improve the design and supply the best possible product. |
| III | Product data | Production | This data sheet contains data from the product specification. Philips Semiconductors reserves the right to make changes at any time in order to improve the design, manufacturing and supply. Relevant changes will be communicated via a Customer Product/Process Change Notification (CPCN). |

[1] Please consult the most recently issued data sheet before initiating or completing a design.

[2] The product status of the device(s) described in this data sheet may have changed since this data sheet was published. The latest information is available on the Internet at URL <http://www.semiconductors.philips.com>.

[3] For data sheets describing multiple type numbers, the highest-level product status determines the data sheet status.

12. Definitions

Short-form specification — The data in a short-form specification is extracted from a full data sheet with the same type number and title. For detailed information see the relevant data sheet or data handbook.

Limiting values definition — Limiting values given are in accordance with the Absolute Maximum Rating System (IEC 60134). Stress above one or more of the limiting values may cause permanent damage to the device. These are stress ratings only and operation of the device at these or at any other conditions above those given in the Characteristics sections of the specification is not implied. Exposure to limiting values for extended periods may affect device reliability.

Application information — Applications that are described herein for any of these products are for illustrative purposes only. Philips Semiconductors make no representation or warranty that such applications will be suitable for the specified use without further testing or modification.

13. Disclaimers

Life support — These products are not designed for use in life support appliances, devices, or systems where malfunction of these products can reasonably be expected to result in personal injury. Philips Semiconductors customers using or selling these products for use in such applications do so at their own risk and agree to fully indemnify Philips Semiconductors for any damages resulting from such application.

Right to make changes — Philips Semiconductors reserves the right to make changes in the products - including circuits, standard cells, and/or software - described or contained herein in order to improve design and/or performance. When the product is in full production (status 'Production'), relevant changes will be communicated via a Customer Product/Process Change Notification (CPCN). Philips Semiconductors assumes no responsibility or liability for the use of any of these products, conveys no license or title under any patent, copyright, or mask work right to these products, and makes no representations or warranties that these products are free from patent, copyright, or mask work right infringement, unless otherwise specified.

14. Contact information

For additional information, please visit: <http://www.semiconductors.philips.com>

For sales office addresses, send an email to: sales.addresses@www.semiconductors.philips.com

15. Contents

| | | |
|-----------|--------------------------------------|-----------|
| 1 | Product profile | 1 |
| 1.1 | General description | 1 |
| 1.2 | Features | 1 |
| 1.3 | Applications | 1 |
| 1.4 | Quick reference data | 1 |
| 2 | Pinning information | 2 |
| 3 | Ordering information | 2 |
| 4 | Marking | 2 |
| 5 | Limiting values | 3 |
| 6 | Thermal characteristics | 3 |
| 7 | Characteristics | 4 |
| 8 | Package outline | 6 |
| 9 | Packing information | 8 |
| 10 | Revision history | 9 |
| 11 | Data sheet status | 10 |
| 12 | Definitions | 10 |
| 13 | Disclaimers | 10 |
| 14 | Contact information | 10 |



© Koninklijke Philips Electronics N.V. 2005

All rights are reserved. Reproduction in whole or in part is prohibited without the prior written consent of the copyright owner. The information presented in this document does not form part of any quotation or contract, is believed to be accurate and reliable and may be changed without notice. No liability will be accepted by the publisher for any consequence of its use. Publication thereof does not convey nor imply any license under patent- or other industrial or intellectual property rights.

Date of release: 18 February 2005
Document number: 9397 750 14368

Published in The Netherlands