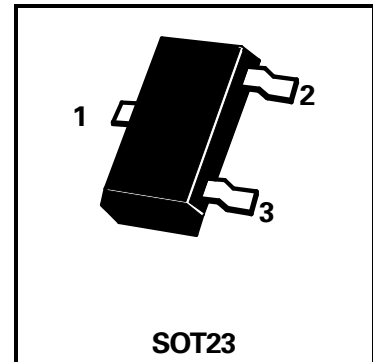
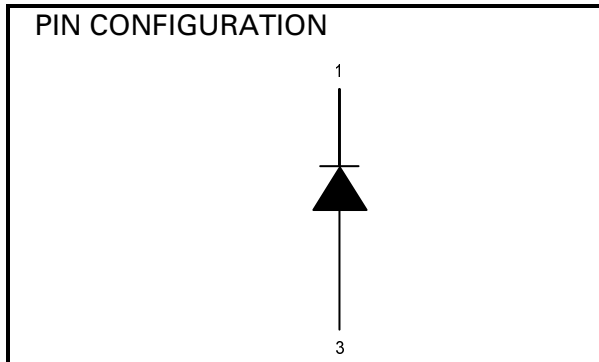


SOT23 SILICON VOLTAGE REGULATOR DIODES

ISSUE 2 - SEPTEMBER 1995

**FMMZ5232
to
FMMZ5257**



PARTMARKING DETAILS:

FMMZ5232	8G	FMMZ5245	8V
FMMZ5233	8H	FMMZ5246	8W
FMMZ5234	8J	FMMZ5247	8X
FMMZ5235	8K	FMMZ5248	8Y
FMMZ5236	8L	FMMZ5249	8Z
FMMZ5237	8M	FMMZ5250	81A
FMMZ5238	8N	FMMZ5251	81B
FMMZ5239	8P	FMMZ5252	81C
FMMZ5240	8Q	FMMZ5253	81D
FMMZ5241	8R	FMMZ5254	81E
FMMZ5242	8S	FMMZ5255	81F
FMMZ5243	8T	FMMZ5256	81G
FMMZ5244	8U	FMMZ5257	81H

ABSOLUTE MAXIMUM RATINGS.

PARAMETER	SYMBOL	VALUE	UNIT
Voltage Range	V_Z	5.6 to 33	V
Nominal Tolerance	C^*	±5%	%
Forward Current	I_F	250	mA
Power Dissipation at $T_{amb}=25^\circ\text{C}$	P_{tot}	330	mW
Operating and Storage Temperature Range	$T_j; T_{stg}$	-55 to +150	°C

* As per Pro-Electron coding system

FMMZ5232 to FMMZ5257

ELECTRICAL CHARACTERISTICS (at $T_{amb} = 25^{\circ}\text{C}$).

Type No	Nominal Zener Voltage $V_Z @ I_{ZT}$ V	Test Current I_{ZT} mA	Max. Zener Impedance		Max. Reverse Leakage Current			Max. Zener Voltage temperature coefficient $V_Z (\%/^{\circ}\text{C})$
			$Z_{ZT} @ I_{ZT}$ Ω	$Z_{ZT} @ I_{ZK} = 0.25\text{mA}$ Ω	$I_R @$ μA	V_R VOLTS (A)	V_R VOLTS (B)	
FMMZ5232	5.6	20	11	1600	5	2.9	3	+0.038
FMMZ5233	6	20	7	1600	5	3.3	3.5	+0.038
FMMZ5234	6.2	20	7	1000	5	3.8	4	+0.045
FMMZ5235	6.8	20	5	750	3	4.8	5	+0.050
FMMZ5236	7.5	20	6	500	3	5.7	6	+0.058
FMMZ5237	8.2	20	8	500	3	6.2	6.5	+0.062
FMMZ5238	8.7	20	8	600	3	6.2	6.5	+0.065
FMMZ5239	9.1	20	10	600	3	6.7	7	+0.068
FMMZ5240	10	20	17	600	3	7.6	8	+0.075
FMMZ5241	11	20	22	600	2	8	8.4	+0.076
FMMZ5242	12	20	30	600	1	8.7	9.1	+0.077
FMMZ5243	13	9.5	13	600	0.5	9.4	9.9	+0.079
FMMZ5244	14	9	15	600	0.1	9.5	10	+0.082
FMMZ5245	15	8.5	16	600	0.1	10.5	11	+0.082
FMMZ5246	16	7.8	17	600	0.1	11.4	12	+0.083
FMMZ5247	17	7.4	19	600	0.1	12.4	13	+0.084
FMMZ5248	18	7	21	600	0.1	13.3	14	+0.085
FMMZ5249	19	6.6	23	600	0.1	13.3	14	+0.086
FMMZ5250	20	6.2	25	600	0.1	14.3	15	+0.086
FMMZ5251	22	5.6	29	600	0.1	16.2	17	+0.087
FMMZ5252	24	5.2	33	600	0.1	17.1	18	+0.088
FMMZ5253	25	5	35	600	0.1	18.1	19	+0.089
FMMZ5254	27	4.6	41	600	0.1	20	21	+0.090
FMMZ5255	28	4.5	44	600	0.1	20	21	+0.091
FMMZ5256	30	4.2	49	600	0.1	22	23	+0.091
FMMZ5257	33	3.8	58	700	0.1	24	25	+0.092

$V_F = 1.1\text{V max.} @ I_F = 200\text{mA}$ for all types