



**NEW!**

# Flyback Transformer

For ON Semiconductor  
NCP1351 Controller



- Dual-output flyback transformer for ON Semiconductor's NCP1351 Variable Off Time PWM Controller.
- 32 V, 1.0 A and 16 V, 0.75 A Outputs. Output of the auxiliary winding is 16 V.
- Operates in a discontinuous mode with a universal input
- 3000 Vrms primary to secondary isolation.

**Core material** Ferrite

**Terminations** RoHS tin-silver over tin over phos bronze. Other terminations available at additional cost.

**Weight** 23.5 g

**Ambient temperature** -40°C to +85°C

**Storage temperature** Component: -40°C to +85°C.  
Packaging: -40°C to +80°C

**Resistance to soldering heat** Max three 40 second reflows at +260°C, parts cooled to room temperature between cycles

**Moisture Sensitivity Level (MSL)** 1 (unlimited floor life at <30°C / 85% relative humidity)

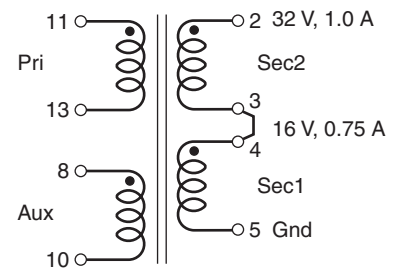
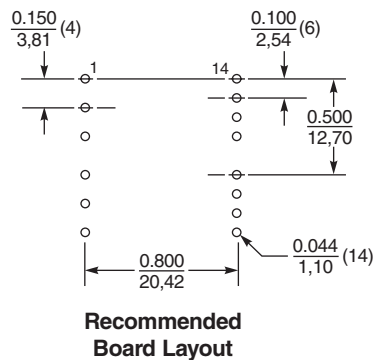
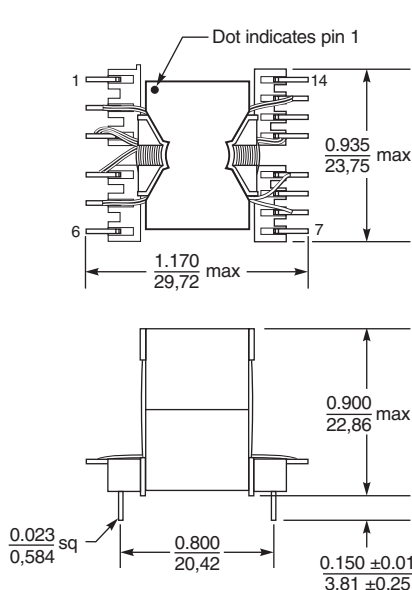
**Failures in Time (FIT) / Mean Time Between Failures (MTBF)**  
38 per billion hours / 26,315,789 hours, calculated per Telcordia SR-332

**Packaging** 64 parts per tray

**PCB washing** Only pure water or alcohol recommended

Part number	L at 0 A <sup>1</sup> ±10% (µH)	L at I <sub>pk</sub> <sup>2</sup> min (µH)	DCR max (Ohms)				Leakage L <sup>3</sup> max (µH)	Turns ratio pri : sec1 : sec2 : aux	I <sub>pk</sub> <sup>2</sup> (A)
			pri	sec1	sec2	aux			
GA0007-AL	270	243	0.25	0.027	0.045	0.26	8.16	5 : 1 : 1 : 1	3.0

1. Inductance is for the primary, measured at 45 kHz, 0.8 Vrms, 0 Adc.
  2. I<sub>pk</sub> is the peak current drawn at minimum input voltage.
  3. Leakage inductance measured on the primary winding with all secondary pins shorted.
  4. Ambient operating temperature range -40°C to +85°C.
  5. Electrical specifications at 25°C.
- Refer to Doc 362 "Soldering Surface Mount Components" before soldering.



Secondary windings to be connected in series on the PC board.

**Coilcraft**<sup>®</sup>

Specifications subject to change without notice.  
Please check our website for latest information.

Document 605 Revised 04/26/07

1102 Silver Lake Road Cary, Illinois 60013 Phone 847/639-6400 Fax 847/639-1469

E-mail info@coilcraft.com Web http://www.coilcraft.com