

Internal Power Supply For Audio Equipments and for Game Equipments SR296 Series

Adaptors, Chargers/Switching Power Supplies

FEATURES

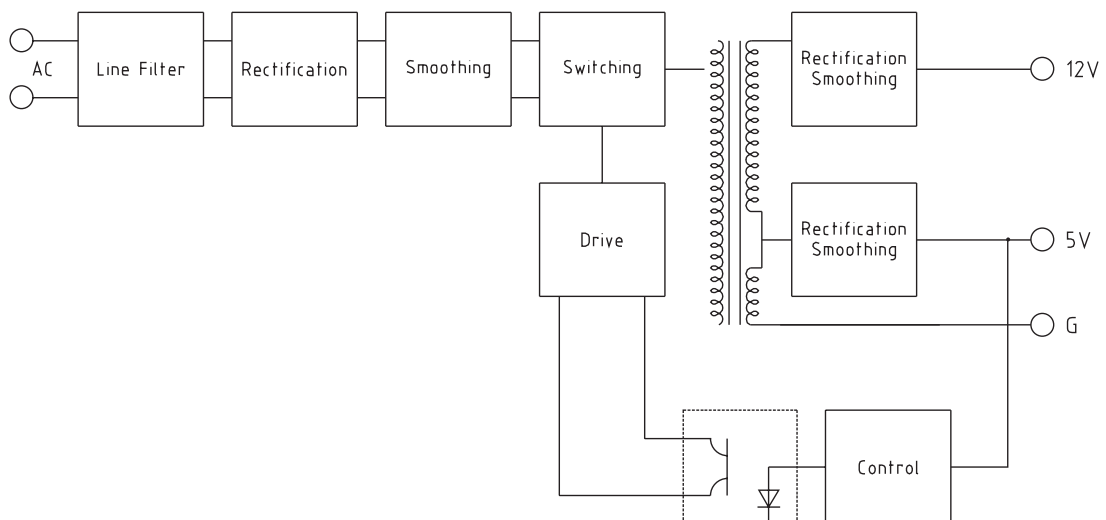
1. Input voltage (100~240V world wide type).
2. Safety standard based on.
3. Compact size and light weight.
4. With open frame case is possible.
5. Output max. 5V-0.8A, 12V-1.8A



USES

1. Audio equipments.
2. Game equipments.
3. OA equipments.
4. Control machine equipments and such.

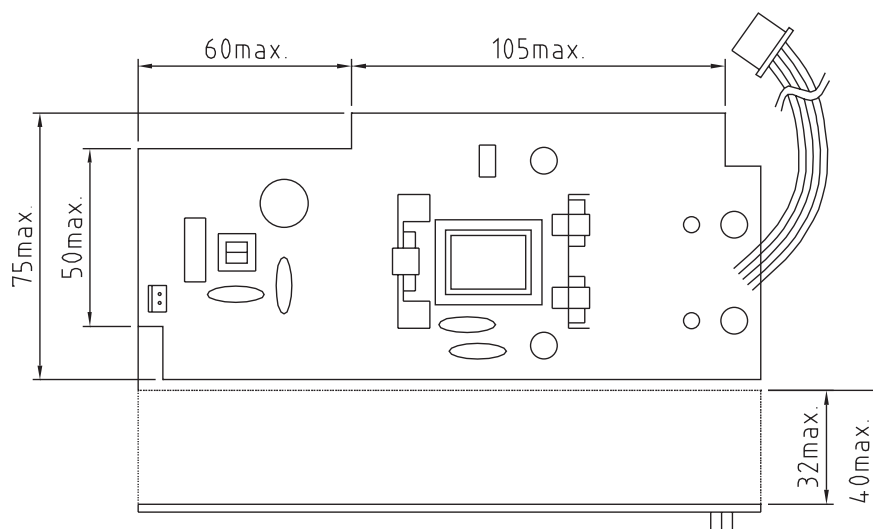
BLOCK DIAGRAM



SPECIFICATIONS

Item		Specifications	
Input Condition	Rated Voltage	AC 110-230V	
	Allowable Range of Voltage	AC 100~240V	
	Frequency	50/60Hz	
	Rated Current	0.5A less than	
Output Characteristics	Rated Voltage	5V	12V
	Allowable Range of Voltage	±0.25V	±1V
	Output Maximum Current	0.8A	1.8A
	Rated Current	0.6A	1.0A
	Minimum Current	0.1A	0.2A
	Second Maximum Current (Cycle : 1S,Second : 2mS)	2.0A	
	Ripple Voltage (max.Load)	100mV	200mV
	Noise Voltage (max.Load)	300mV	400mV
	Over Current Protection	Short Protection	
Special Specifications	Efficiency	60% more than	
	Withstand Voltage	3kV	
	Insulation Resistance	100MΩ min. at DC 500V	
	Radiation Noise	Compliant with FCC, VDE	
Environmental Condition	Temperature of Operation	0~50°C	
	Temperature of Storage	-10~60°C	

DIMENSIONS



Unit : mm