

**SURFACE MOUNT  
FAST RECOVERY SILICON RECTIFIER**  
VOLTAGE RANGE 50 to 600 Volts CURRENT 1.0 Ampere

**FEATURES**

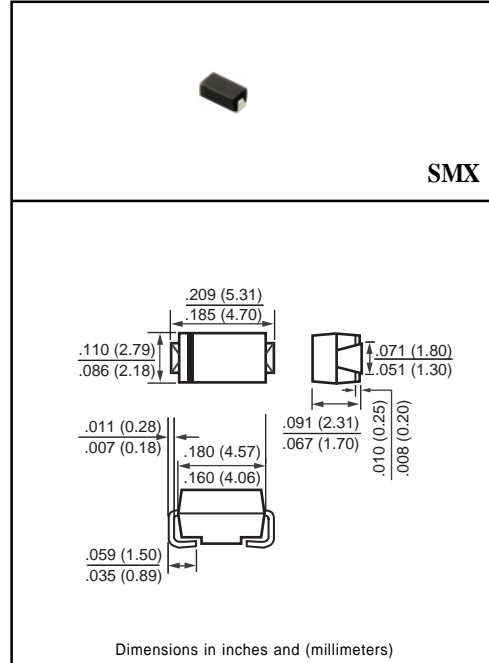
- \* Ideal for surface mounted applications
- \* Low leakage current
- \* Metallurgically bonded construction
- \* Mounting position: Any
- \* Weight: 0.057 gram

**MECHANICAL DATA**

- \* Epoxy : Device has UL flammability classification 94V-0

**MAXIMUM RATINGS AND ELECTRICAL CHARACTERISTICS**

Ratings at 25 °C ambient temperature unless otherwise specified.  
Single phase, half wave, 60 Hz, resistive or inductive load.  
For capacitive load, derate current by 20%.



**MAXIMUM RATINGS** (At TA = 25°C unless otherwise noted)

RATINGS	SYMBOL	FM4933W	FM4934W	FM4935W	FM4936W	FM4937W	UNITS
Maximum Recurrent Peak Reverse Voltage	VRRM	50	100	200	400	600	Volts
Maximum RMS Voltage	VRMS	35	70	140	280	420	Volts
Maximum DC Blocking Voltage	Vdc	50	100	200	400	600	Volts
Maximum Average Forward Rectified Current at TA = 55°C	Io	1.0					Amps
Peak Forward Surge Current IFM (surge): 8.3 ms single half sine-wave superimposed on rated load (JEDEC method)	IFSM	30					Amps
Maximum Thermal Resistance	(Note 3) RθJA	30					°C/W
	(Note 2) RθJC	70					°C/W
Typical Junction Capacitance (Note 1)	Cj	15					pF
Operating and Storage Temperature Range	TJ, TSTG	-55 to + 150					°C

**ELECTRICAL CHARACTERISTICS** (At TA = 25°C unless otherwise noted)

CHARACTERISTICS	SYMBOL	FM4933W	FM4934W	FM4935W	FM4936W	FM4937W	UNITS
Maximum Forward Voltage at 1.0A DC	VF	1.2					Volts
Maximum Full Load Reverse Current, Full cycle Average at TA = 55°C	IR	50					uAmps
Maximum Average Reverse Current at @ TA = 25°C		5.0					uAmps
Rated DC Blocking Voltage @ TA = 125°C		100					uAmps
Maximum Reverse Recovery Time (Note 4)	trr	200					nSec

NOTES : 1. Measured at 1.0 MHz and applied average voltage of 4.0VDC

2. Thermal resistance junction to case.

3. Thermal resistance junction to ambient, 6.0mm<sup>2</sup> copper pads to each terminal.

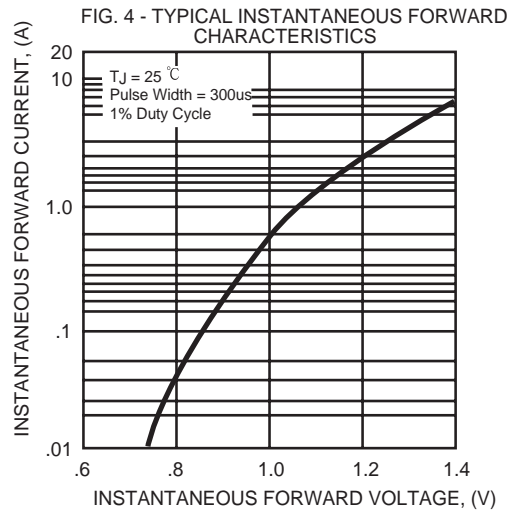
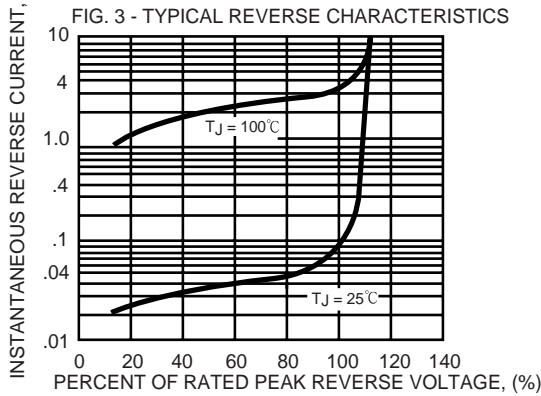
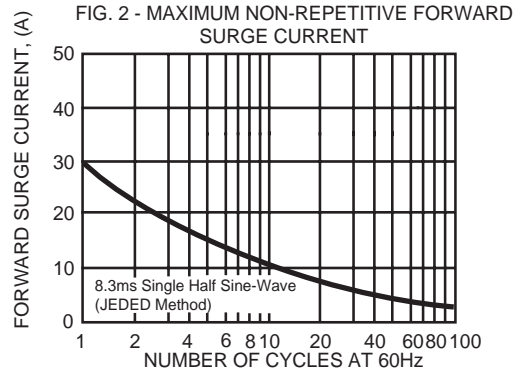
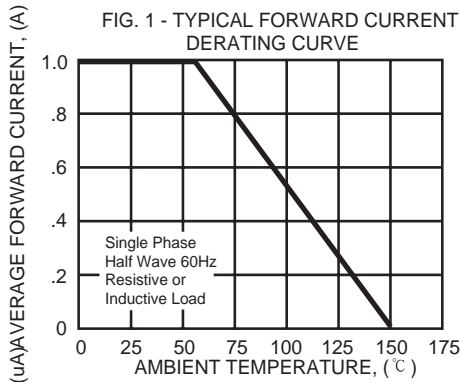
4. Test Conditions: IF = 1.0A, VR = 30V.

5. "Fully ROHS compliant", "100% Sn plating (Pb-free)".

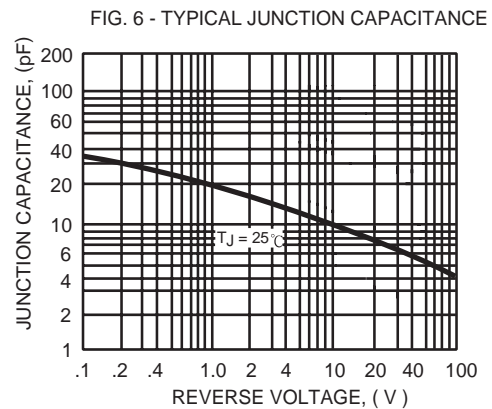
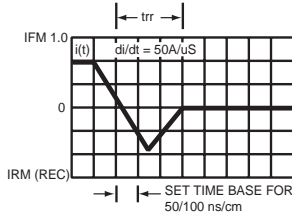
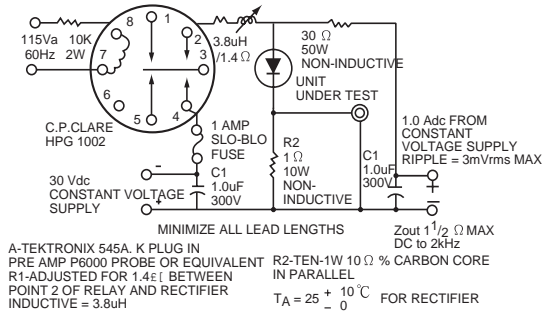
2005-11

REV:O

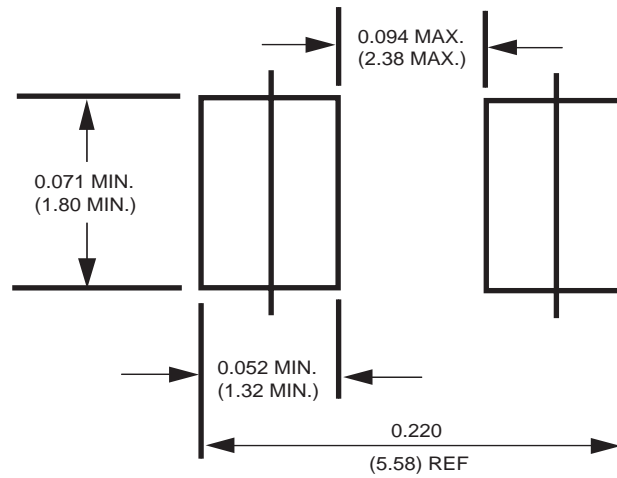
## RATING AND CHARACTERISTIC CURVES ( FM4933W THRU FM4937W )



**FIG. 5 - TEST CIRCUIT DIAGRAM AND REVERSE RECOVERY TIME CHARACTERISTIC**



### Mounting Pad Layout



Dimensions in inches and (millimeters)

