

CMR2U-01
 CMR2U-02
 CMR2U-04
 CMR2U-06
 CMR2U-08

**SURFACE MOUNT ULTRA FAST
 RECOVERY SILICON RECTIFIER
 2.0 AMP, 100 THRU 800 VOLTS**



SMB CASE

CentralTM Semiconductor Corp.

FEATURES:

- LOW COST
- SPECIAL SELECTIONS AVAILABLE
- HIGH RELIABILITY
- SUPERIOR LOT TO LOT CONSISTENCY
- GLASS PASSIVATED CHIP
- "C" BEND CONSTRUCTION PROVIDES STRAIN RELIEF WHEN MOUNTED ON PC BOARD

DESCRIPTION:

The CENTRAL SEMICONDUCTOR 2.0 Amp Surface Mount Silicon Ultra Fast Recovery Rectifier is a high quality, well constructed, highly reliable component designed for use in all types of commercial, industrial, entertainment, computer, and automotive applications. To order devices on 12mm Tape and Reel (3000/13" Reel), add TR13 suffix to part number.

MARKING CODES: SEE MARKING CODE TABLE ON FOLLOWING PAGE

MAXIMUM RATINGS: (T_A=25°C unless otherwise noted)

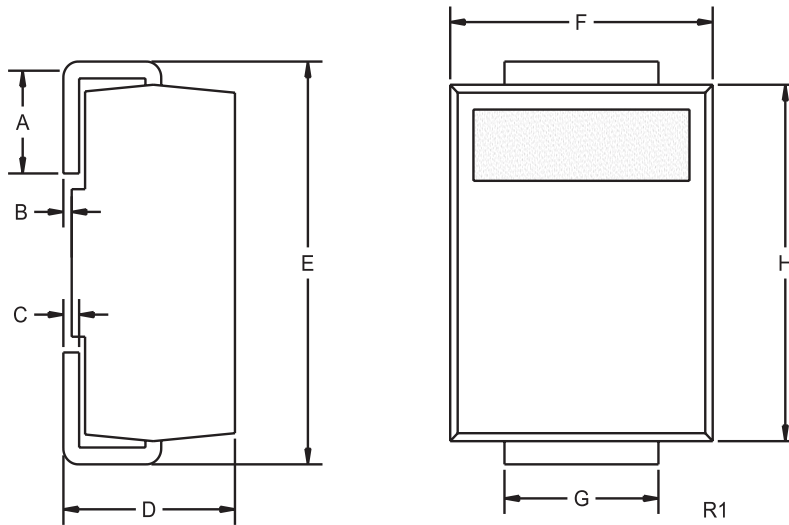
	SYMBOL	CMR2U-01	CMR2U-02	CMR2U-04	CMR2U-06	CMR2U-08	UNITS
Peak Repetitive Reverse Voltage	V _{RRM}	100	200	400	600	800	V
DC Blocking Voltage	V _R	100	200	400	600	800	V
RMS Reverse Voltage	V _{R(RMS)}	70	140	280	420	560	V
Average Forward Current (T _A =50°C)	I _O			2.0			A
Peak Forward Surge Current (8.3ms)	I _{FSM}			50			A
Operating and Storage							
Junction Temperature	T _J , T _{stg}			-65 to +150			°C
Thermal Resistance	θ _{JL}			20			°C/W

ELECTRICAL CHARACTERISTICS: (T_A=25°C unless otherwise noted)

SYMBOL	TEST CONDITIONS	TYP	MAX	UNITS
I _R	V _R =Rated V _{RRM}		10	µA
I _R	V _R =Rated V _{RRM} , T _A =100°C		50	µA
V _F	I _F =2.0A, (CMR2U-01, CMR2U-02)		1.00	V
V _F	I _F =2.0A, (CMR2U-04)		1.25	V
V _F	I _F =2.0A, (CMR2U-06)		1.40	V
V _F	I _F =2.0A, (CMR2U-08)		1.70	V
t _{rr}	I _F =0.5A, I _R =1.0A, Recover to 0.25A (CMR2U-01 thru CMR2U-04)		50	ns
t _{rr}	I _F =0.5A, I _R =1.0A, Recover to 0.25A (CMR2U-06, CMR2U-08)		100	ns
C _J	V _R =4.0V, f=1.0MHz	50		pF

R2 (29-March 2004)

SMB CASE - MECHANICAL OUTLINE



DEVICE	MARKING CODE
CMR2U-01	CU201
CMR2U-02	CU202
CMR2U-04	CU204
CMR2U-06	CU206
CMR2U-08	CU208

SYMBOL	DIMENSIONS			
	INCHES		MILLIMETERS	
	MIN	MAX	MIN	MAX
A	0.030	0.060	0.76	1.52
B	0.004	0.008	0.10	0.20
C	0.006	0.012	0.15	0.30
D	0.086	0.096	2.18	2.44
E	0.200	0.220	5.08	5.59
F	0.130	0.150	3.30	3.81
G	0.077	0.083	1.96	2.11
H	0.160	0.180	4.06	4.57

SMB (REV: R1)

R2 (29-March 2004)