

CMR2-02  
 CMR2-04  
 CMR2-06  
 CMR2-10

**GENERAL PURPOSE RECTIFIER  
 2.0 AMP, 200 THRU 1,000 VOLTS**



**SMB CASE**

# Central™ Semiconductor Corp.

**FEATURES:**

- LOW COST
- SPECIAL SELECTIONS AVAILABLE
- HIGH RELIABILITY
- SUPERIOR LOT TO LOT CONSISTENCY
- GLASS PASSIVATED CHIP
- "C" BEND CONSTRUCTION PROVIDES STRAIN RELIEF WHEN MOUNTED ON PC BOARD

**DESCRIPTION:**

The CENTRAL SEMICONDUCTOR 2.0 Amp Surface Mount Silicon Rectifier is a high quality, well constructed, highly reliable component designed for use in all types of commercial, industrial, entertainment, computer, and automotive applications. To order devices on 12mm Tape and Reel (3000/13" Reel), add TR13 suffix to part number.

**MARKING CODES: SEE MARKING CODE TABLE ON FOLLOWING PAGE**

**MAXIMUM RATINGS:** ( $T_A=25^\circ\text{C}$  unless otherwise noted)

	SYMBOL	CMR2-02	CMR2-04	CMR2-06	CMR2-10	UNITS
Peak Repetitive Reverse Voltage	$V_{RRM}$	200	400	600	1000	V
DC Blocking Voltage	$V_R$	200	400	600	1000	V
RMS Reverse Voltage	$V_{R(RMS)}$	140	280	420	700	V
Average Forward Current ( $T_A=50^\circ\text{C}$ )	$I_O$			2.0		A
Peak Forward Surge Current (8.3ms)	$I_{FSM}$			60		A
Operating and Storage						
Junction Temperature	$T_J, T_{stg}$		-65 to +150			$^\circ\text{C}$
Thermal Resistance	$\theta_{JL}$		20			$^\circ\text{C/W}$

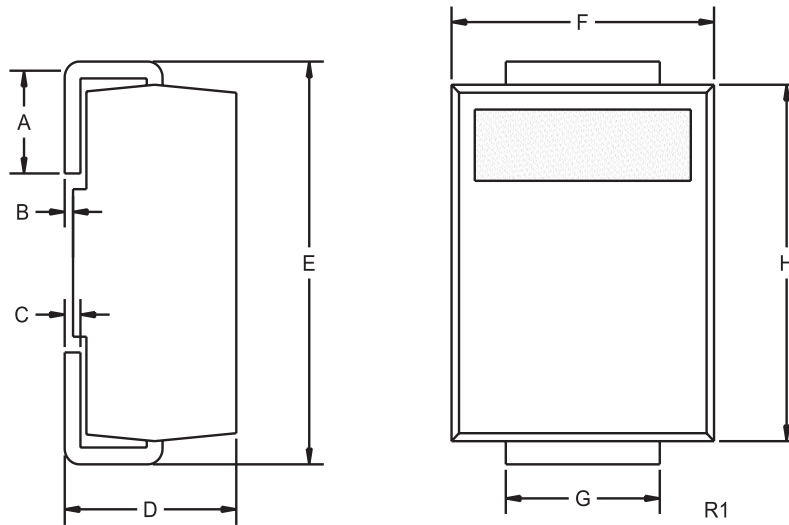
**ELECTRICAL CHARACTERISTICS:** ( $T_A=25^\circ\text{C}$  unless otherwise noted)

SYMBOL	TEST CONDITIONS	MIN	TYP	MAX	UNITS
$I_R$	$V_R=Rated$ $V_{RRM}$			5.0	$\mu\text{A}$
$I_R$	$V_R=Rated$ $V_{RRM}$ , $T_A=125^\circ\text{C}$			125	$\mu\text{A}$
$V_F$	$I_F=2.0\text{A}$			1.1	V
$t_{rr}$	$I_F=0.5\text{A}$ , $I_R=1.0\text{A}$ , Recover to 0.25A			2.5	$\mu\text{s}$
$C_J$	$V_R=4.0\text{V}$ , $f=1.0\text{MHz}$		30		pF

R2 (26-September 2002)

**GENERAL PURPOSE RECTIFIER  
2.0 AMP, 200 THRU 1,000 VOLTS**

**SMB CASE - MECHANICAL OUTLINE**



DEVICE	MARKING CODE
CMR2-02	C202
CMR2-04	C204
CMR2-06	C206
CMR2-10	C210

SYMBOL	INCHES		MILLIMETERS	
	MIN	MAX	MIN	MAX
A	0.030	0.060	0.76	1.52
B	0.004	0.008	0.10	0.20
C	0.006	0.012	0.15	0.30
D	0.086	0.096	2.18	2.44
E	0.200	0.220	5.08	5.59
F	0.130	0.150	3.30	3.81
G	0.077	0.083	1.96	2.11
H	0.160	0.180	4.06	4.57

SMB (REV: R1)

R2 (26-September 2002)